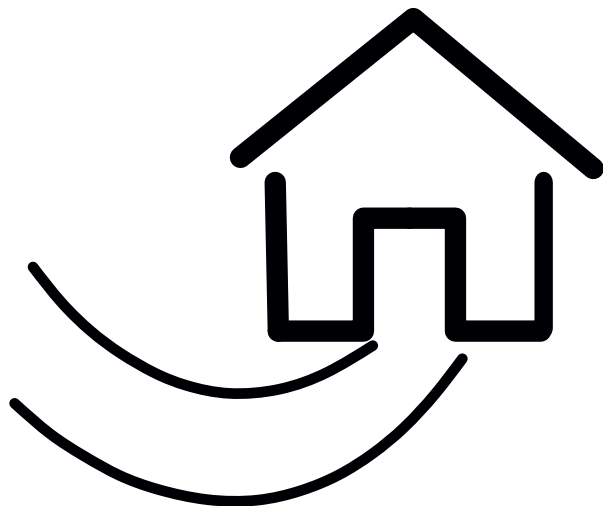


# HAPPINESS HAPPINESS INSTALLATION



## CAUTION

Parts are placed at the bottom of the product.

- If you have any questions with the product, please contact us by:
- **Email: [customerservice@zoy-living.com](mailto:customerservice@zoy-living.com)**  
(we will reply to you within 24 hours)

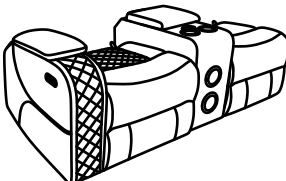
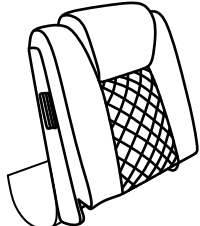
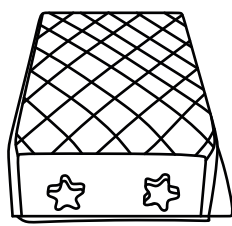
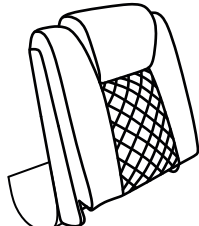

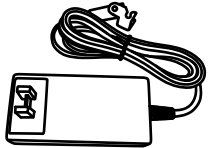

# Assembly Instructions

## RD042AF52LC

This product comes in One package. Carefully remove all of components from the packaging and set aside for assembly.

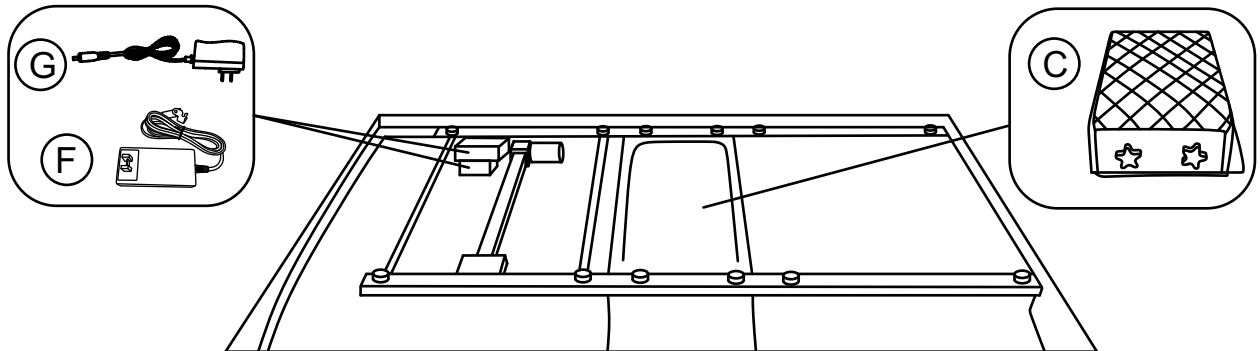
**CAUTION**  
DO NOT use any sharp objects to open plastic-wrapped components as this may result in damage to the product or components.

### Package Contents

			
<b>Part A*1 Seat Body</b>	<b>Part B*1 Left Backrest</b>	<b>Part C*1 Console Backrest</b>	<b>Part D*1 Right Backrest</b>
			
<b>Part E*1 Left Ear</b>	<b>Part F*1 Adapter 1</b>	<b>Part G*2 Adapter 2</b>	

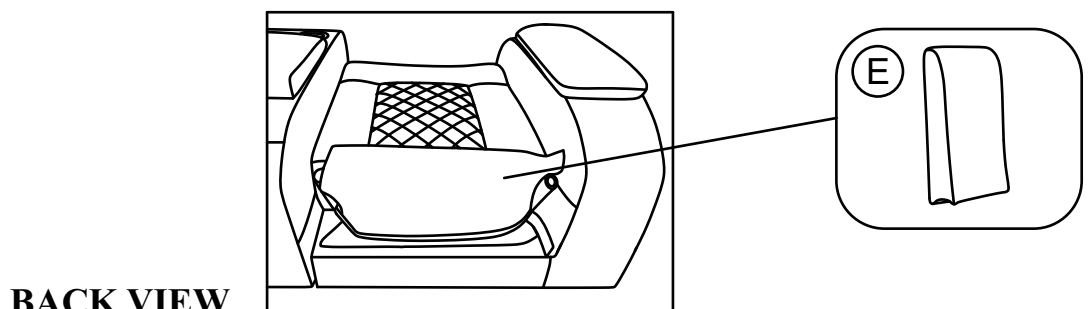
### STEP 1

Open the zipper to take out **Console Backrest (C)** and **Adapter 1&2 (F&G)** from the bottom of **Seat Body (A)**.



**BOTTOM VIEW**

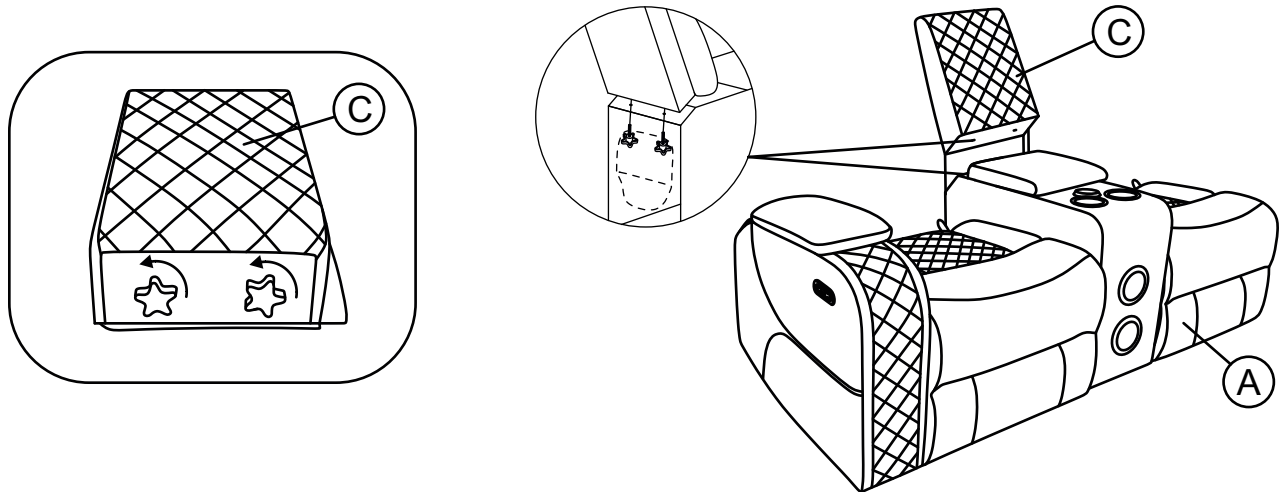
Take out the **Left Ear (E)** from the back of the **Seat Body (A)**.



**BACK VIEW**

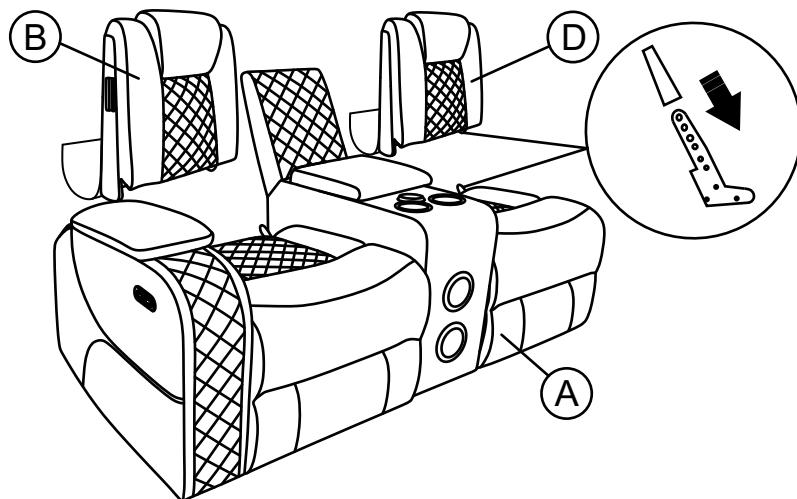
## STEP 2

Take out Threaded Star Knobs from the **Console Backrest (C)**.  
Attach the **Console Backrest (C)** to the **Seat Body (A)** with Threaded Star Knobs.



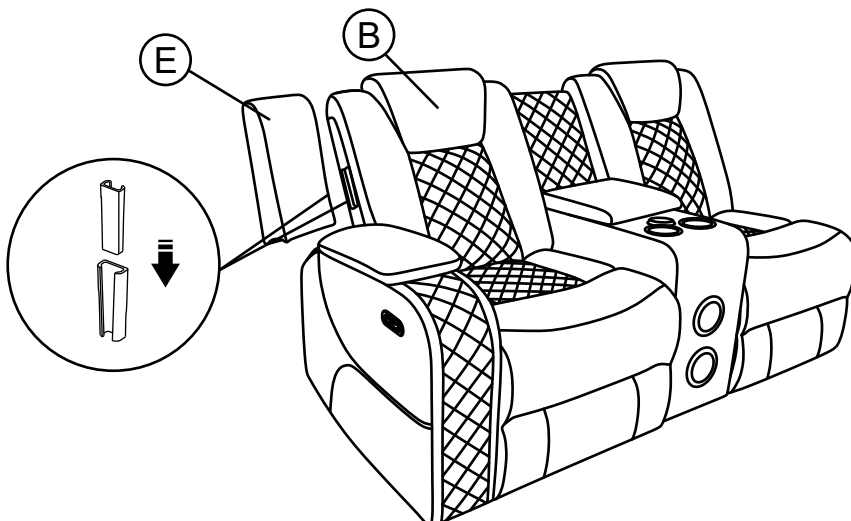
## STEP 3

Attach **Left Backrest (B)** and **Right Backrest (D)** to the **Seat Body (A)**.



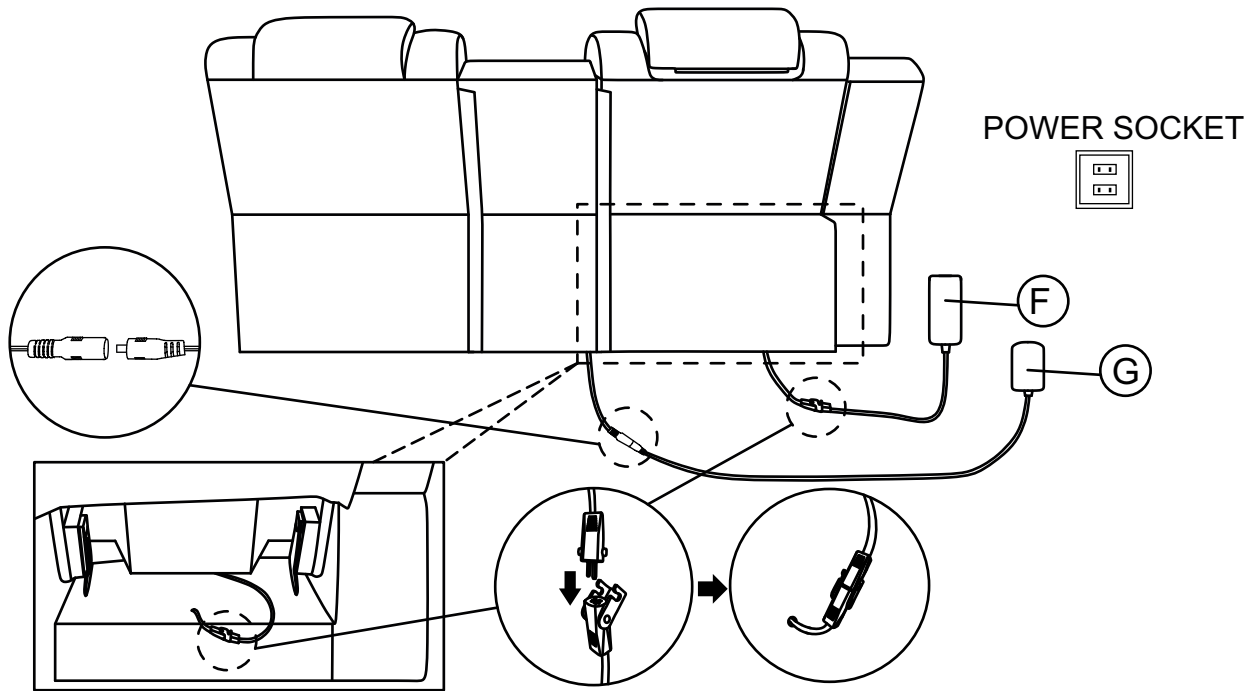
## STEP 4

Attach **Left Ear (E)** to **Left Backrest (B)**.



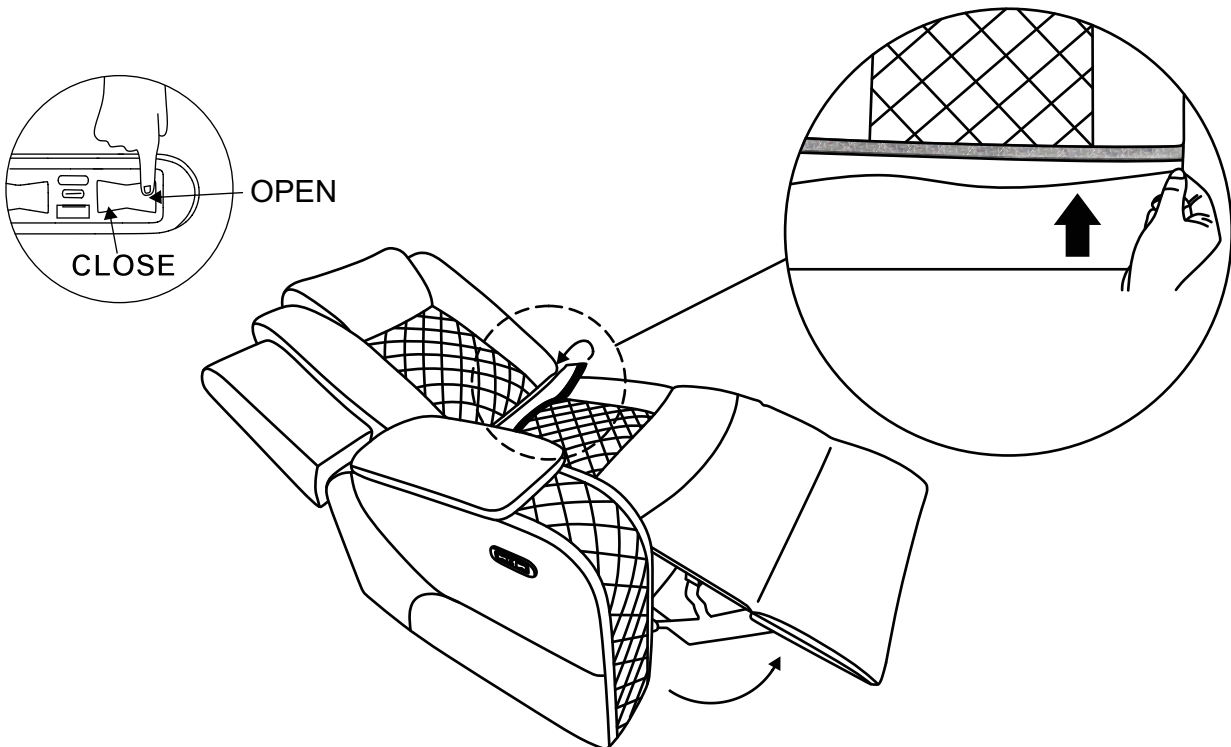
## STEP 5

Connect the power connection plugs as shown behind the Seat Body.  
Attach **Adapter 1 (F)** and **Adapter 2 (G)** to Power Socket.

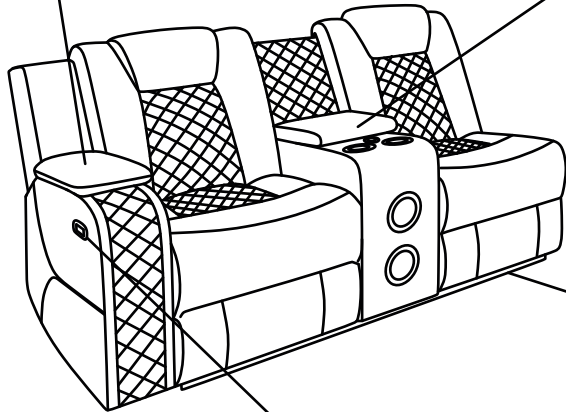
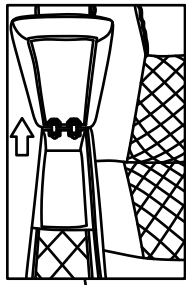


## STEP 6

Recline the Left Seat by holding the "OPEN" button on the control panel.  
Attach the cover of Left Seat to the Left Backrest with velcro.

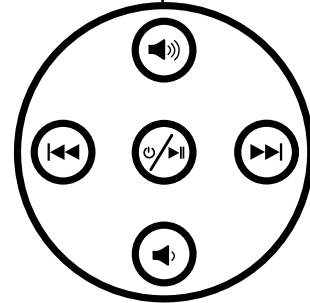
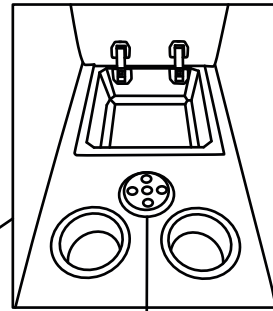


**Storage box in the armrest.**



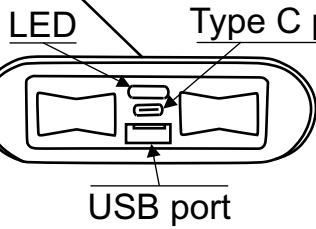
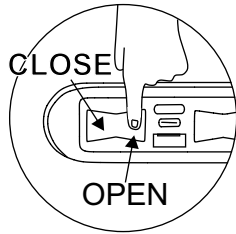
LED

**Storage box**

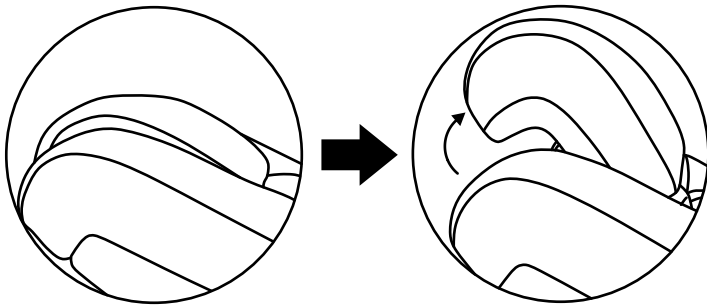
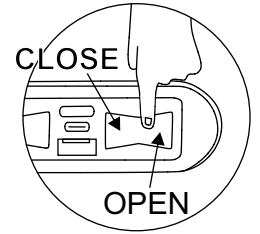


Bluetooth Audio  
Control Panel

HEADREST  
CONTROL

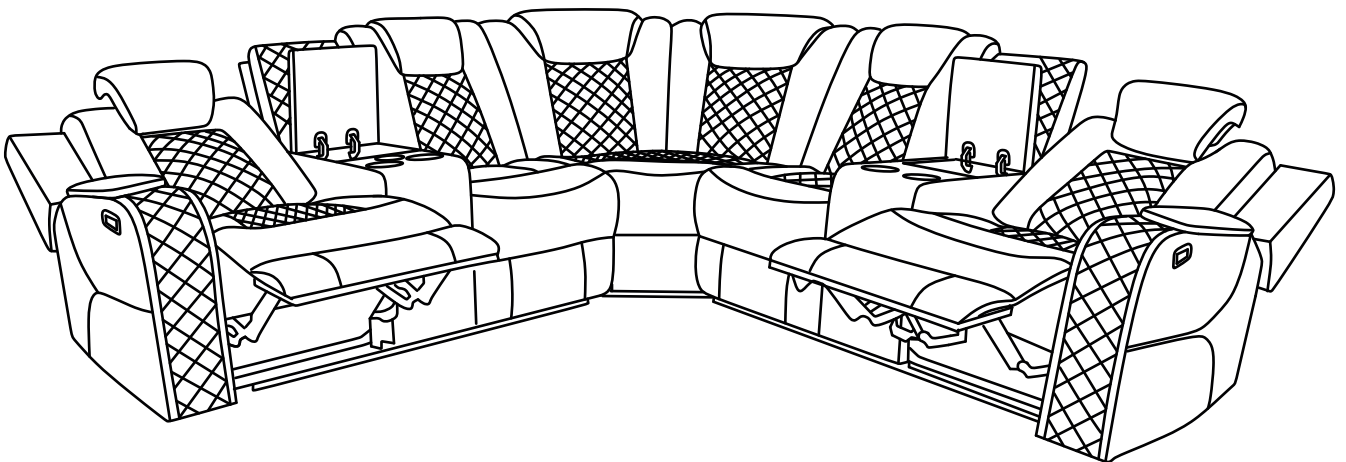
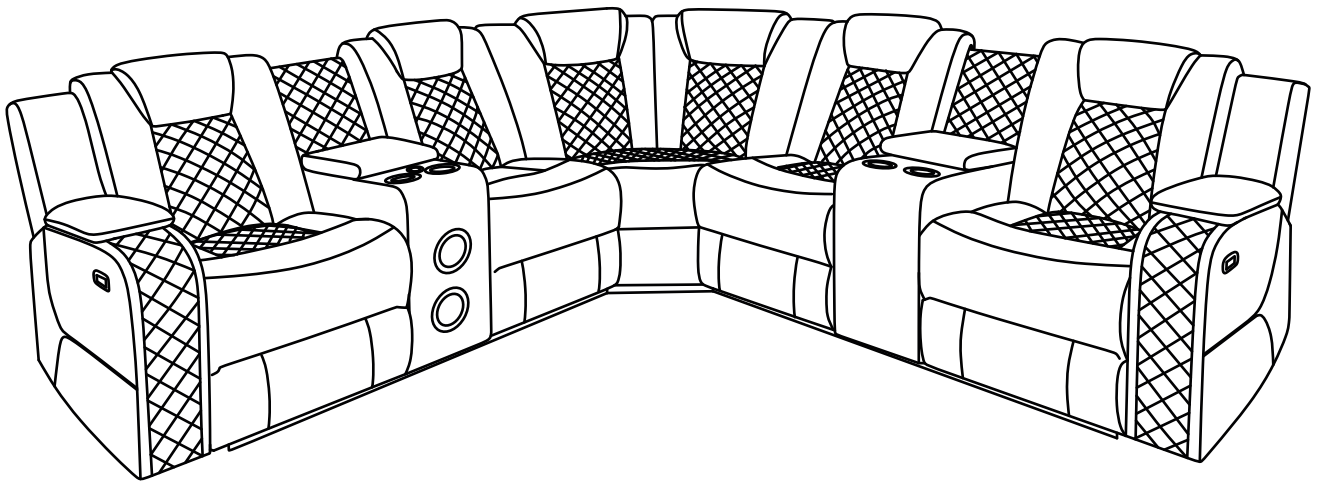
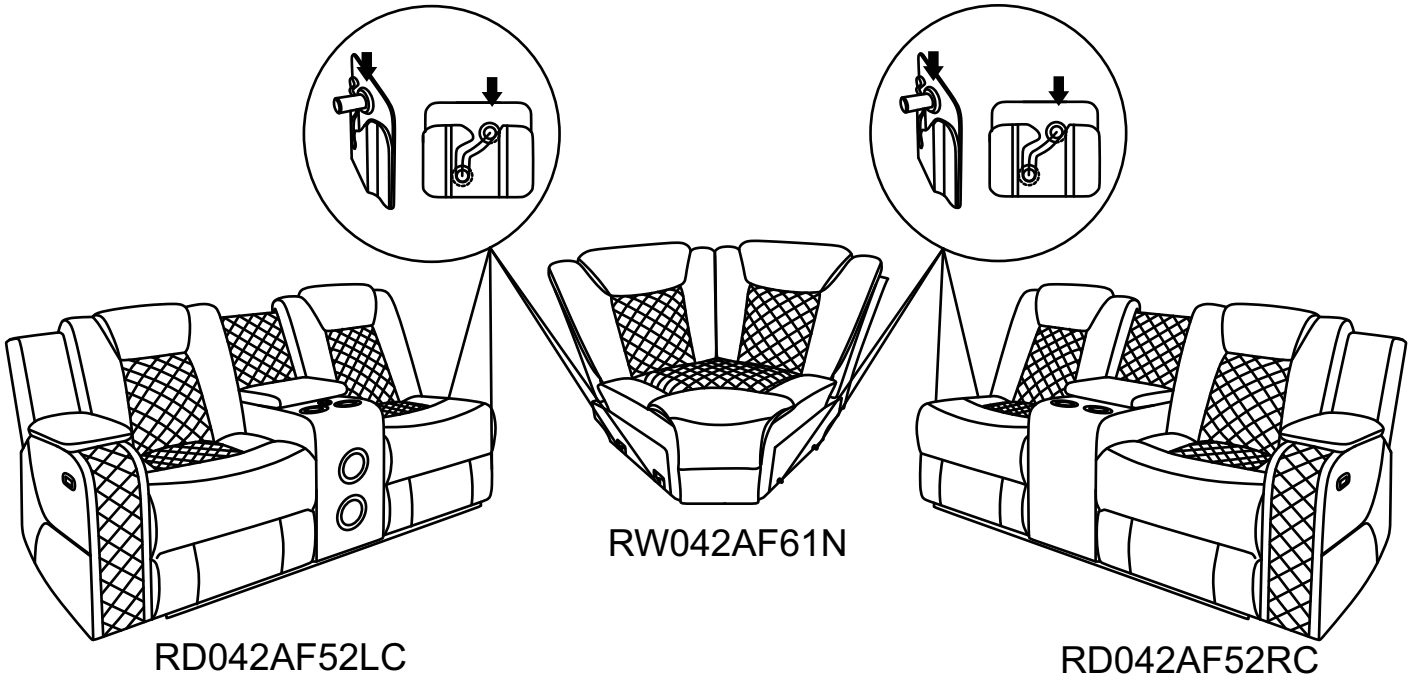


FOOTREST  
CONTROL

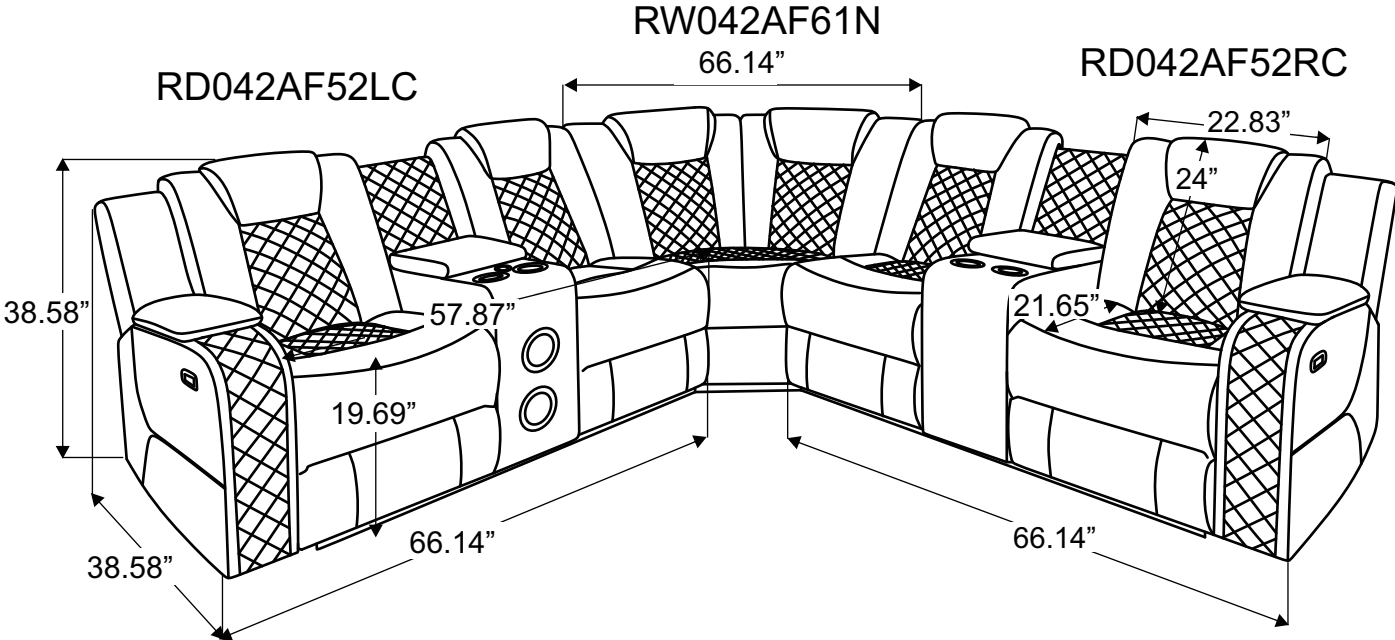


# FINALSTEP

Connect the parts of the sectional assembly by means of the metal slots at the bottom.



# SIZE DIMENSIONS



# Warnings

1. Please check if the components of the chair are all included and can be used normally.
2. Assemble all components according to the instruction correctly before you connect the chair to the power.
3. Please DO NOT sit on the armrests or footrest to eliminate the risk of tipping over.
4. If the chair is damaged or doesn't match the website description, please send clear pictures of the product and label of the carton to our service team for further help.
5. If the recliner doesn't work, you may try the following measures for self-checking firstly:
  - a) Check if all the cables are connected;
  - b) Check if the light of transformer is on.If the chair still doesn't work, please feed the information back to our customer service in time and we'll help you solve the matter as soon as possible.
6. If you have any questions with the product, please contact us by:

Email: [customerservice@zoy-living.com](mailto:customerservice@zoy-living.com) (we will reply to you within 24 hours)

