

POST MOUNT Assembly Instructions



CAUTION

•Inspect the wire insulation for any cuts, abrasions, or exposed copper that may have resulted during shipping. If there is a defect in the wire, do not attempt installation.

•Before starting installation of this fixture or removal of a previous fixture, disconnect the power by turning off the circuit breaker or by removing the fuse at the fuse box.

TOOLS REQUIRED



Ladder



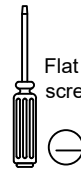
Safety glasses



Electrical tape



Phillips screwdriver



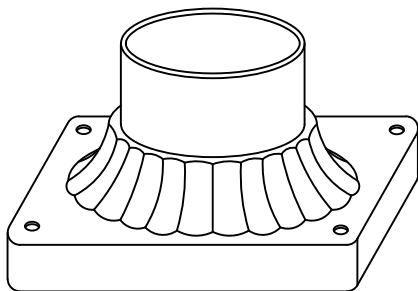
Flat blade screwdriver



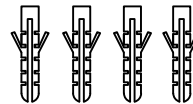
Pliers



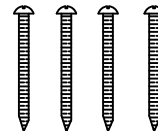
Wire strippers



Fixture



Plastic Anchors



Tapping Screw

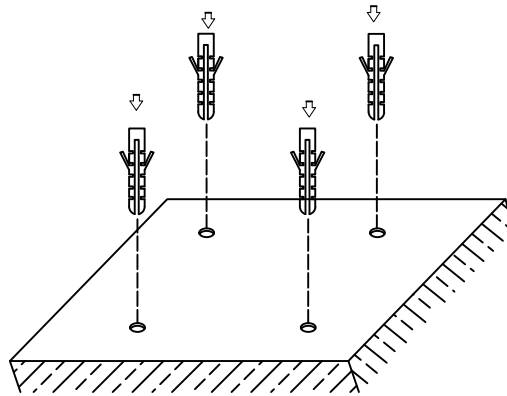
*PARTS SHOWN MAY DIFFER SLIGHTLY PER LIGHT FIXTURE

POST MOUNT

Assembly Instructions

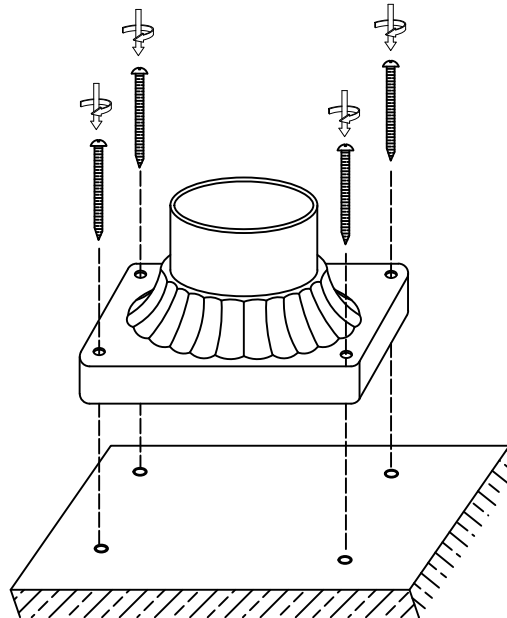
STEP 1

Drill 4 holes in the ground according to the Fixture hole position, and stuff the Plastic Anchors into the drilled hole position



STEP 2

Align the hole location with the bolt and tighten the screws



STEP 3

The installation is complete

