

LIGHTING

6 Lights Pendant Chandeliers

NOTE: ALWAYS TURN POWER OFF BEFORE INSTALLING LIGHTING FIXTURES!

■ Specification

Voltage: 110-130V
 Material: Metal
 Color: Black
 Lamp holder: E12
 Bulb info: MAX 60W TYPE-CA10
 Fixtures Dimensions: 26in/660mm(D)*24in/610mm(H)
 Installation Dimensions: 26.5~62.5in/675~1590mm(H)
 Wire Length: 59in/1500mm
 Usage: Indoor use only

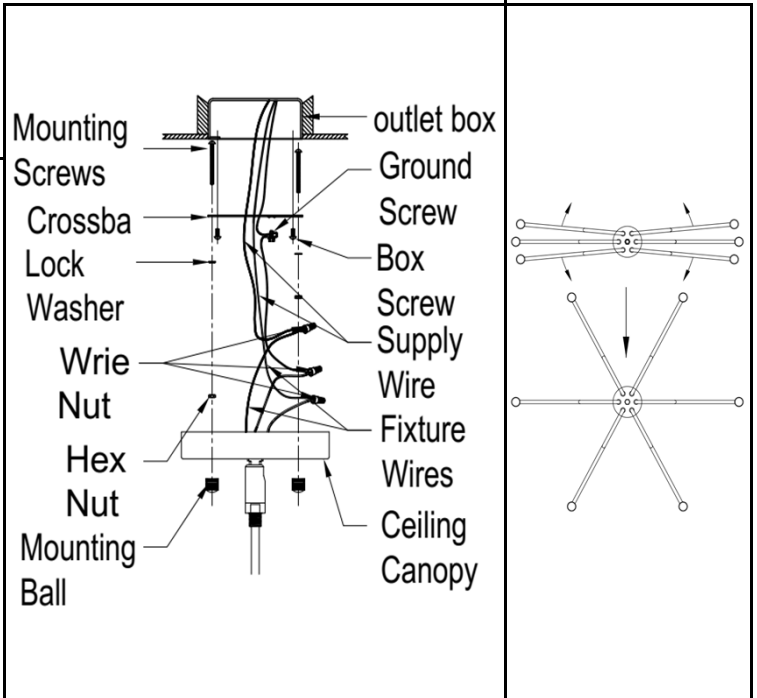
■ Easy Installation

1. Adjust the arm Angle so that the arm is in the correct position.
2. Determine the **Rods with Nipple(A/B/C/D)** to be assembled to the Fixture according to your hanging height.
3. Pass **Supply Wires** and **Ground Wire** through the chosen **Rod** and **Rod with Nipple(A/B/C/D)** and then thread the chosen **Rods** and the **Fixture Nut**. Hand tighten until snug.
4. Screw the **Mounting Screws** into the **Crossbar**, place the **Lock Washers** over the **Mounting Screws** and thread the **Hex Nuts** onto the **Mounting Screws** as shown. Secure the position of the **Mounting Screws** by tightening the **Hex Nuts** against the **Crossbar**.
5. Secure the **Crossbar** to the **Outlet Box** with **Outlet Box Screws** (Non inclus).
6. Using wire connectors not supplied connect the **House Ground Wire** to the **Fixture Ground Wire** connect the **House White Wire** to the **Fixture Supply Wire** White or **Ribbed Side** connect the connection with approved electrical tape.
7. Place the **Ceiling Canopy** onto **Outlet Box** aligning 2 holes in the **Ceiling Canopy** with 2 **Mounting screws** threaded on the **Crossbar** and secure it against wall with **Mounting Balls**.
8. Install 3W TYPE-CA10LED Bulb (Included), Do not exceed the MAX. wattages as indicated
9. Install Bulb (Non inclus).

* **Install correct bulbs referring to fixture markings and or labels for maximum wattage. Your installation is completed now Restore electricity Retain this sheet for future reference.**

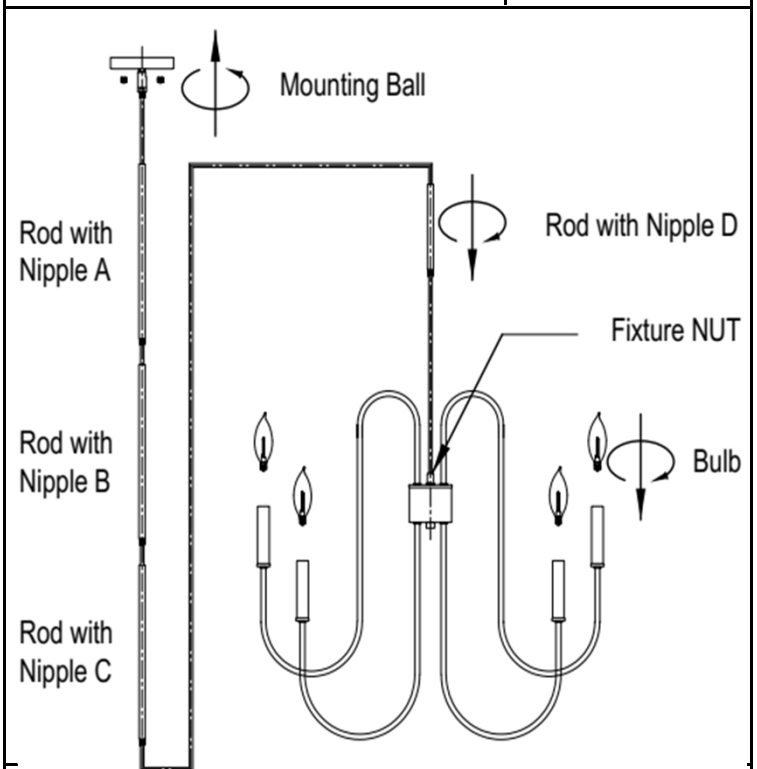
■ Package Include

3x 12" Rod with Nipple	1x 6" Rod with Nipple
1 x Fixture	1x Crossbar with Screws
1 x Ceiling Canopy	2 x Mounting Balls
1x User Manual	



Wiring Scheme

Adjust the Arm



Fixture Installation