

Addy Outdoor Bar Table

Your furniture requires assembly prior to use. It is important that you read the entire assembly instructions to become familiar with the unit before you set up this product.

Safety Warning and Precautions

WARNING: When setting up your furniture, basic precautions should always be followed to reduce risk of personal injury and damage to the product.









Read all instructions before assembly and usage this product.

1. Select ideal location. Set out all parts on a clear and level surface prior to assembly. Ideally, the furniture should be set up in the desired location to avoid moving it after assembly.
2. Use caution. During all the processes of assembling, especially when lifting heavy or large parts, pay attention to safety.
3. Tools and Assistance. An adjustable spanner is required for assembly. It is recommended 2 people assist with assembly.
4. Check all parts before assembling, ensure you have all parts detailed in the parts list on Page 2.
5. Refer to assembly diagram. During assembly, refer to the assembly instructions on following pages.
6. Caution. Keep children away from work area during assembly. Do not allow children to handle parts or tools while assembling.

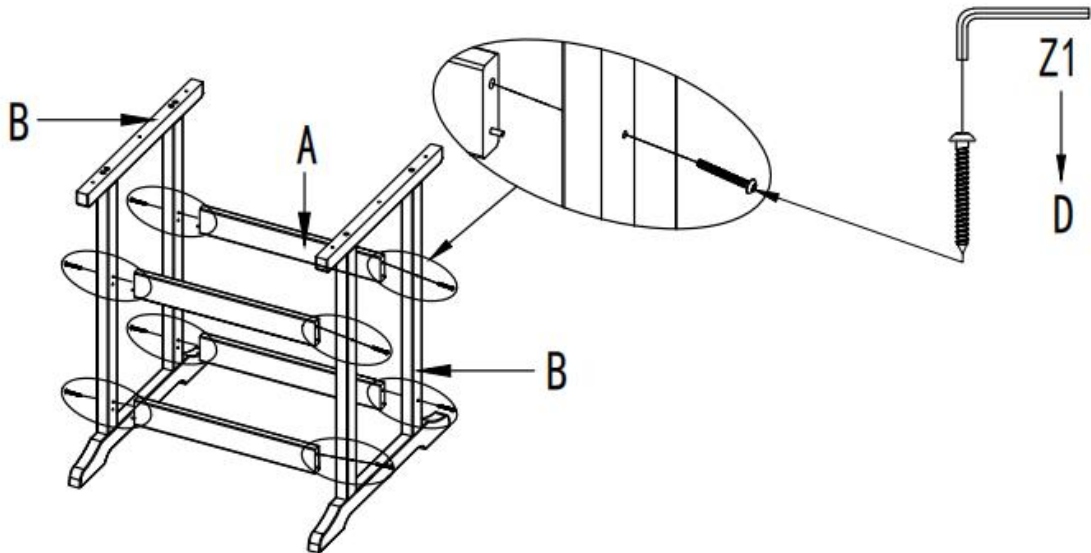


Addy Outdoor Bar Table

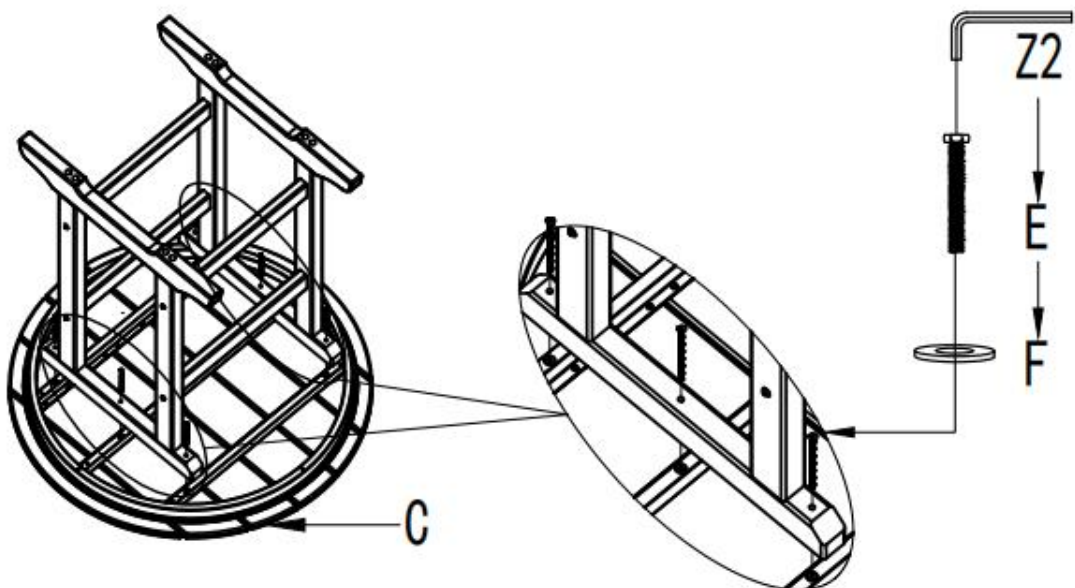
PANEL AND FITTINGS IDENTIFICATION

Part #	A	B	C	D	E	F	Z1	Z2
Description:	Rod	Table Leg	Table Top	Screw M6*65	Bolt M6*65	washer	Allen Wrench M5	Allen Wrench M4
Figure:								
Qty:	4	2	1	8	6	6	1	1

STEP1

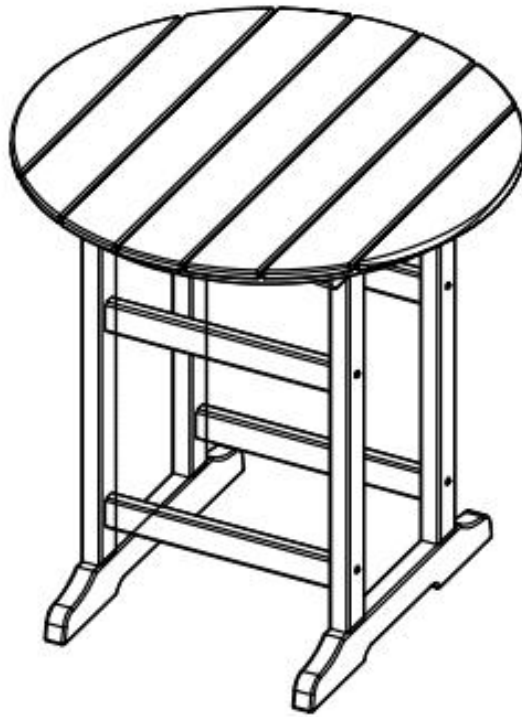


STEP2



Addy Outdoor Bar Table

STEP 3



Steps:

1. Attach the Rods (Part A) to the Table Legs (Part B) with Screws M6*65 (Part D) by using Allen Wrench M5 (Part Z1).
2. Attach the Table Legs (Part B) to the Table Top (Part C) with Bolt M6*65 (Part E) and washer (Part F) by using Allen Wrench M4 (Part Z2).

Tighten all screws. Your table is ready to use. (Note: Pre-assemble all the bolts loosely but do not fully turn the bolts into their holes until all bolts are inserted in their holes.)

Periodically check and make sure that all screws are fully tightened.