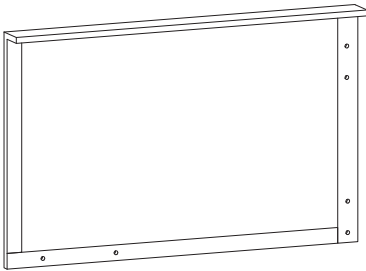
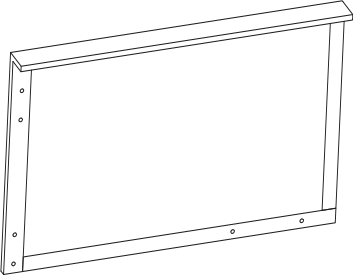
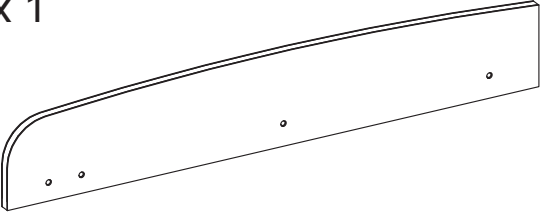
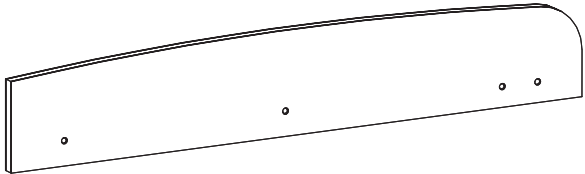
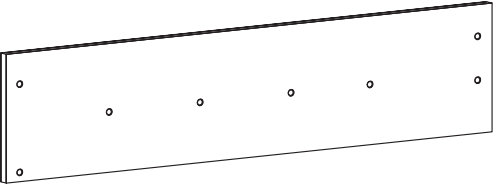
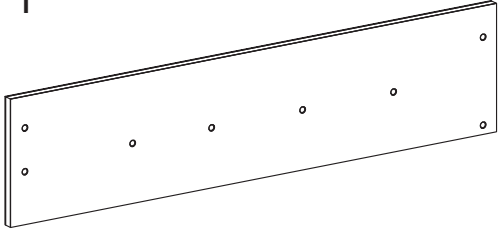
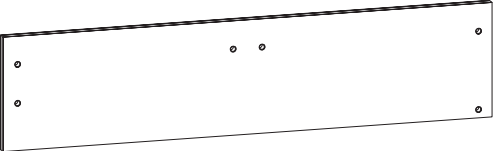
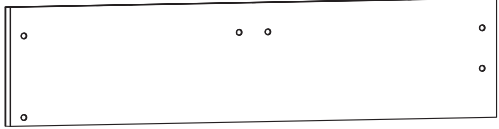
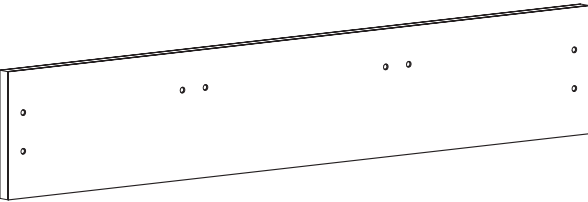


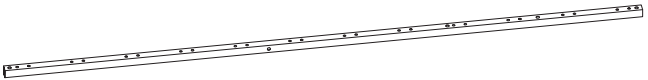
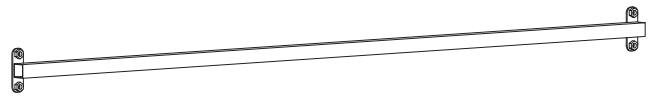
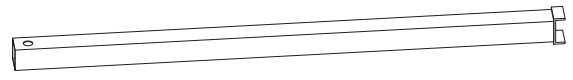
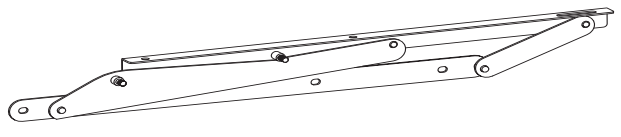
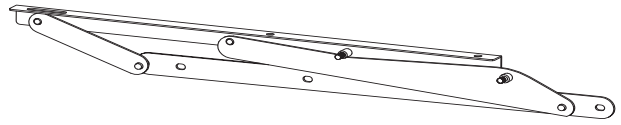
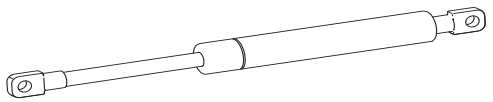

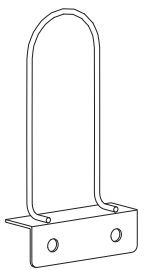
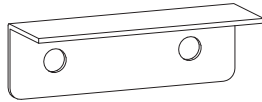
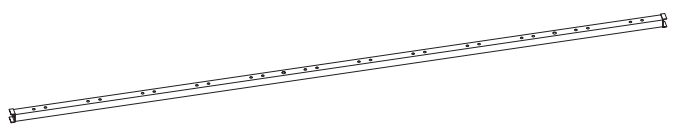
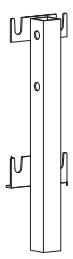
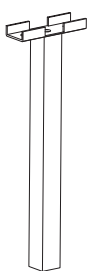
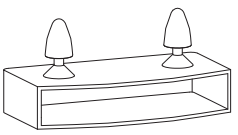
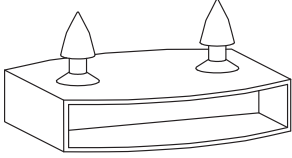

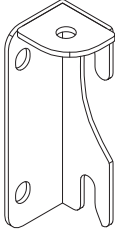
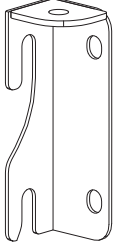

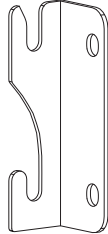
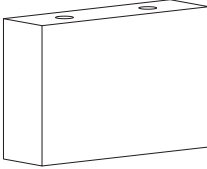
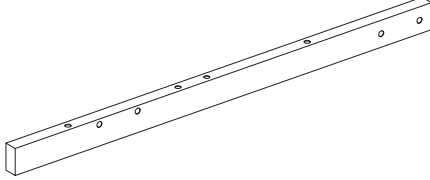
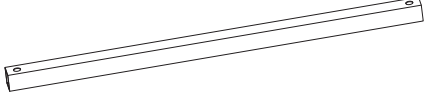

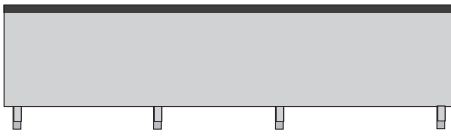
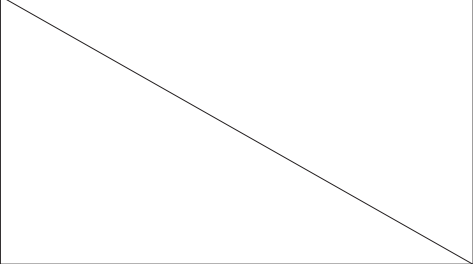
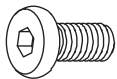
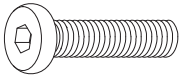
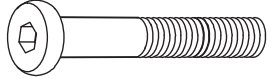
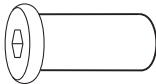

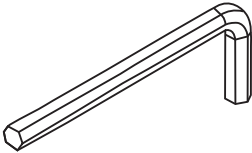
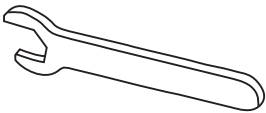
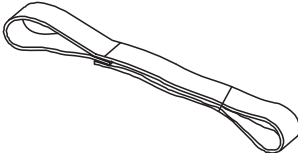
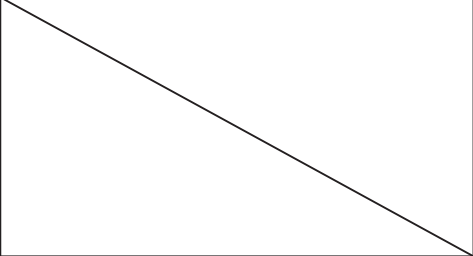


Please check that you have all the parts listed before you start assembling, if you do find that something is missing, do not continue assembly. Please contact us immediately.
NOTE: Please do not completely tighten all the hardware until the entire assembly is complete!

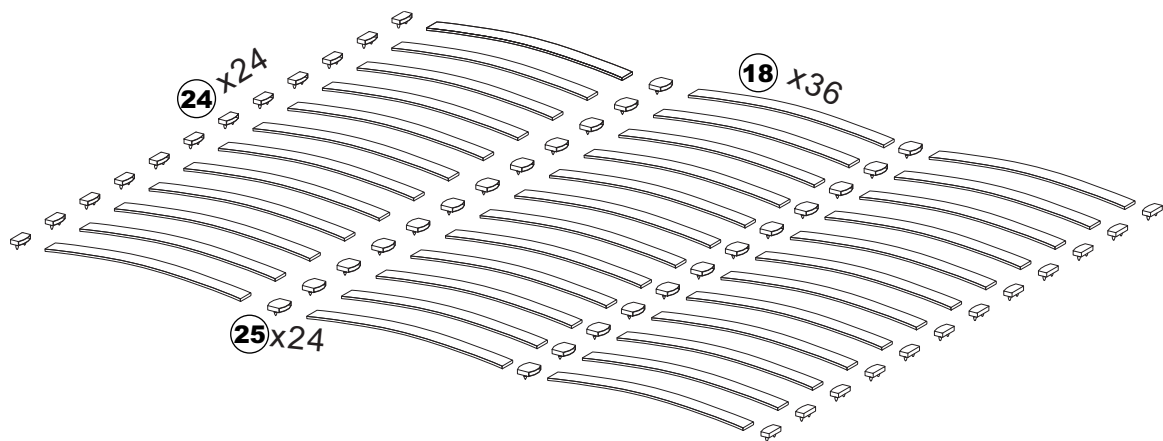
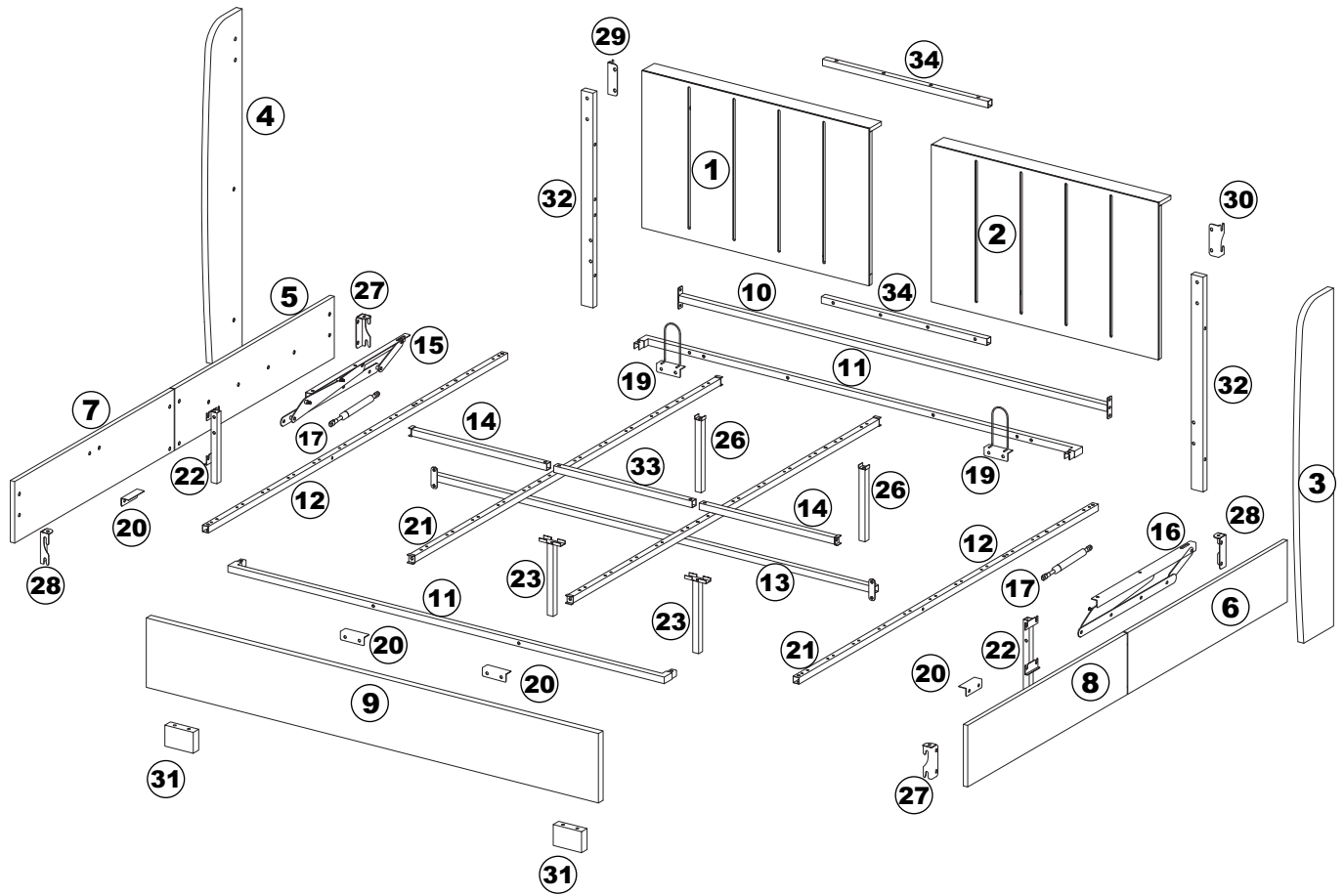
Part list

<p>① x 1</p> 	<p>② x 1</p> 
<p>③ x 1</p> 	<p>④ x 1</p> 
<p>⑤ x 1</p> 	<p>⑥ x 1</p> 
<p>⑦ x 1</p> 	<p>⑧ x 1</p> 
<p>⑨ x 1</p> 	<p>⑩ x 1</p> 
<p>⑪ x 2</p> 	<p>⑫ x 2</p> 

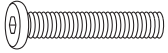
<p>⑬ x 1</p> 	<p>⑭ x 2</p> 
<p>⑮ x 1</p> 	<p>⑯ x 1</p> 
<p>⑰ x 2</p> 	<p>⑱ x 36</p> 
<p>⑲ x 2</p> 	<p>⑳ x 4</p> 
<p>㉑ x 2</p> 	<p>㉒ x 2</p> 
<p>㉓ x 2</p> 	<p>㉔ x 24</p> 

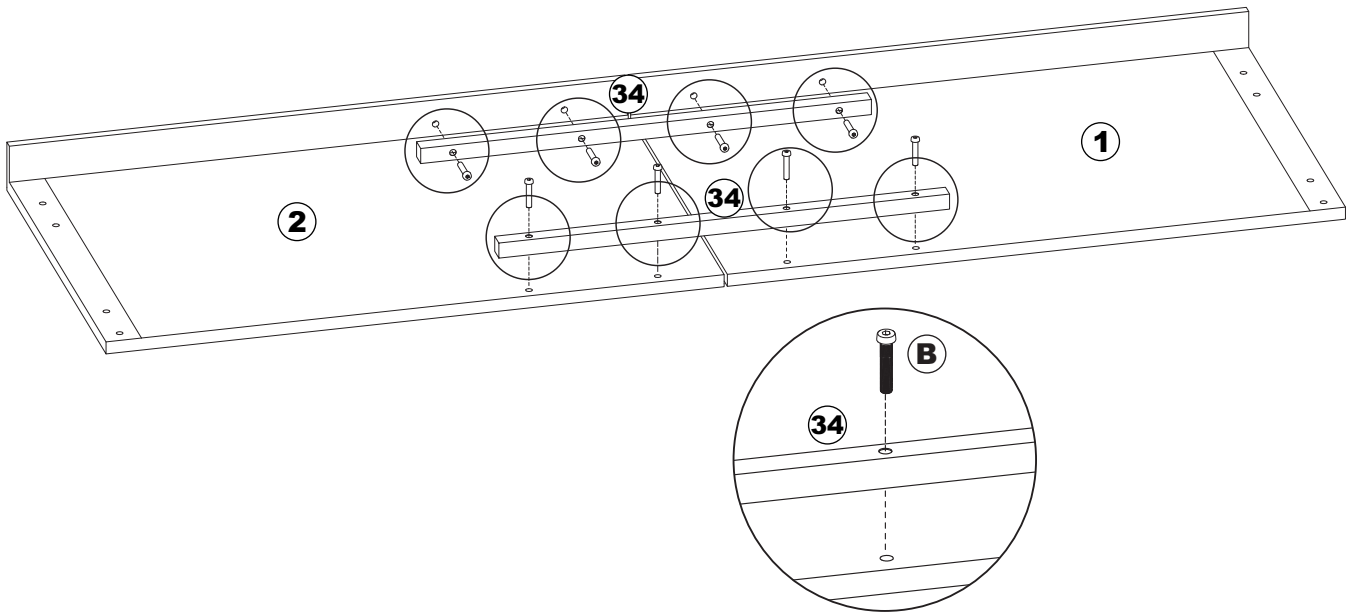
<p>②⑤ x24</p> 	<p>②⑥ x 2</p> 	<p>②⑦ x 2</p> 
<p>②⑧ x 2</p> 	<p>②⑨ x 1</p> 	<p>③⑩ x 1</p> 
<p>③① x 2</p> 	<p>③② x 2</p> 	<p>③③ x 1</p> 
<p>③④ x 2</p> 	<p>③⑤ x 1</p> 	
<p>Ⓐ x 56+4</p>  <p>M8x 20</p>	<p>Ⓑ x 38+3</p>  <p>M8x 40</p>	<p>Ⓒ x 8+1</p>  <p>M8x 70</p>
<p>Ⓓ x 4+1</p>  <p>M8 nut</p>	<p>Ⓔ x 12+1</p>  <p>M8 nut</p>	<p>Ⓕ x 1</p>  <p>M5</p>
<p>Ⓖ x 1</p>  <p>Spanner 1PC</p>	<p>Ⓘ</p>  <p>Rope 1PC</p>	
<p style="text-align: center;">_____ ③ _____</p>		

Part list

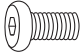


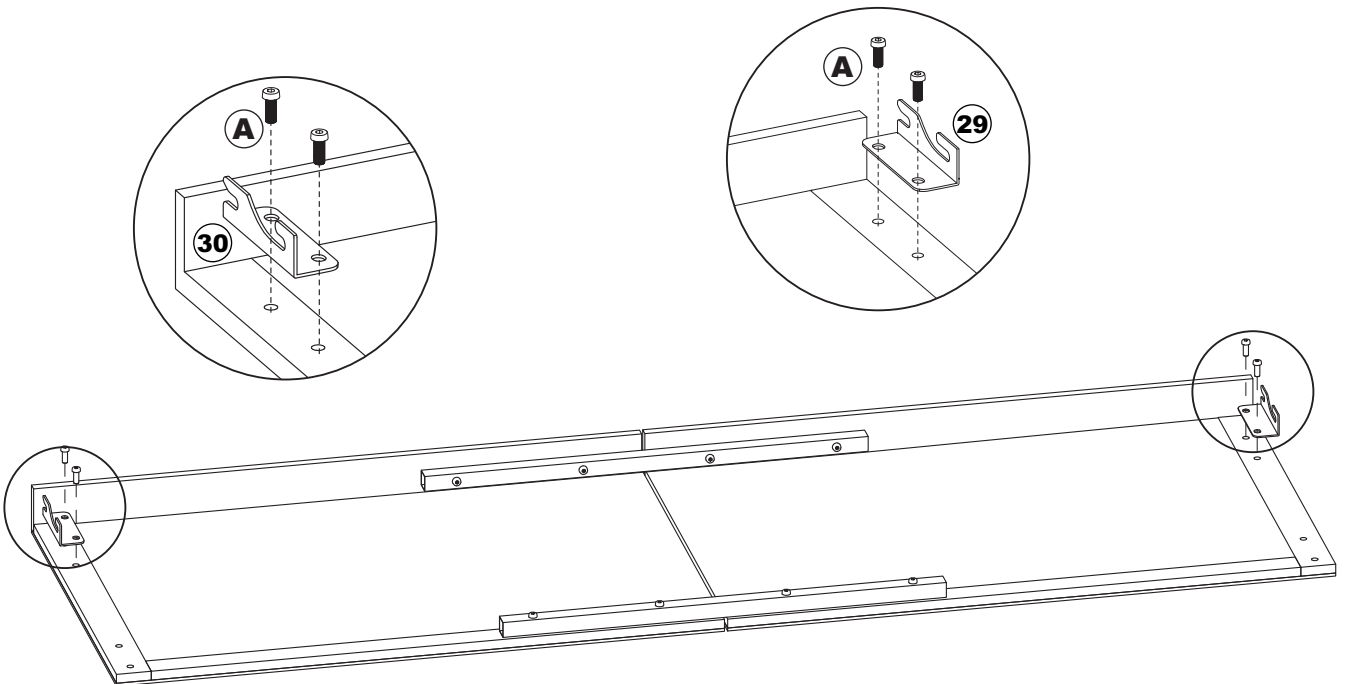
Step 1

B  **x8**




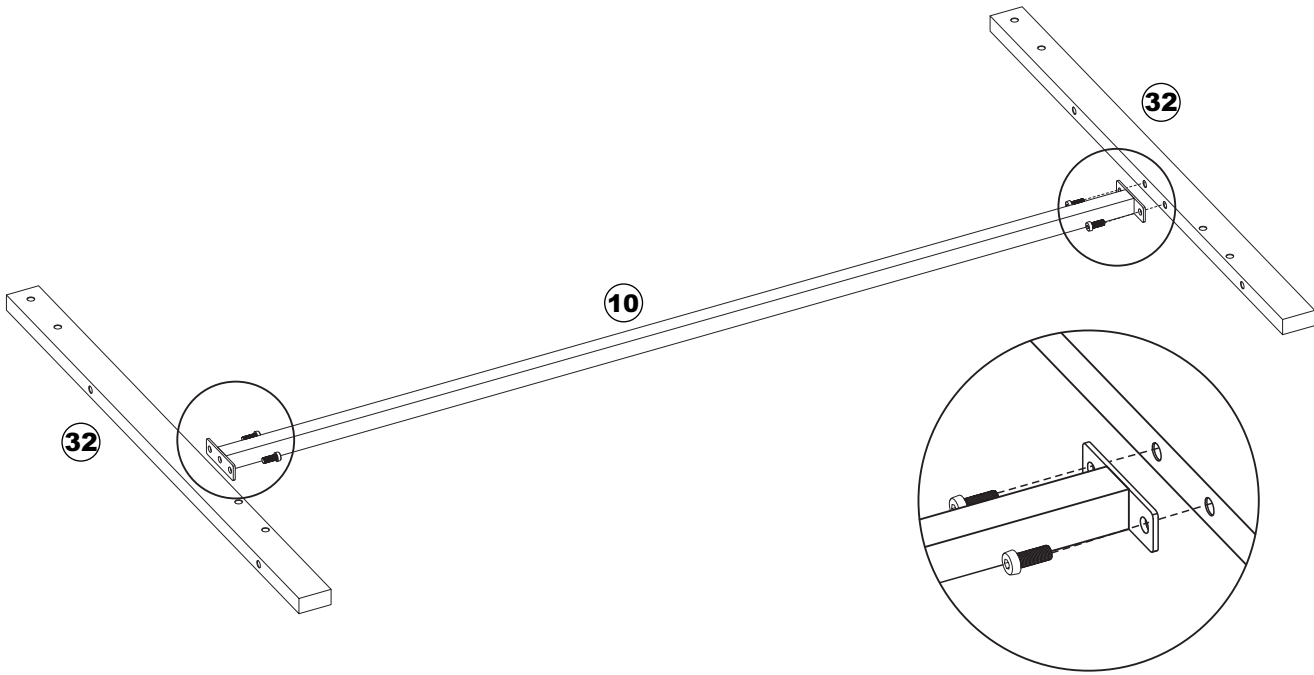
Step 2

A  **x4**




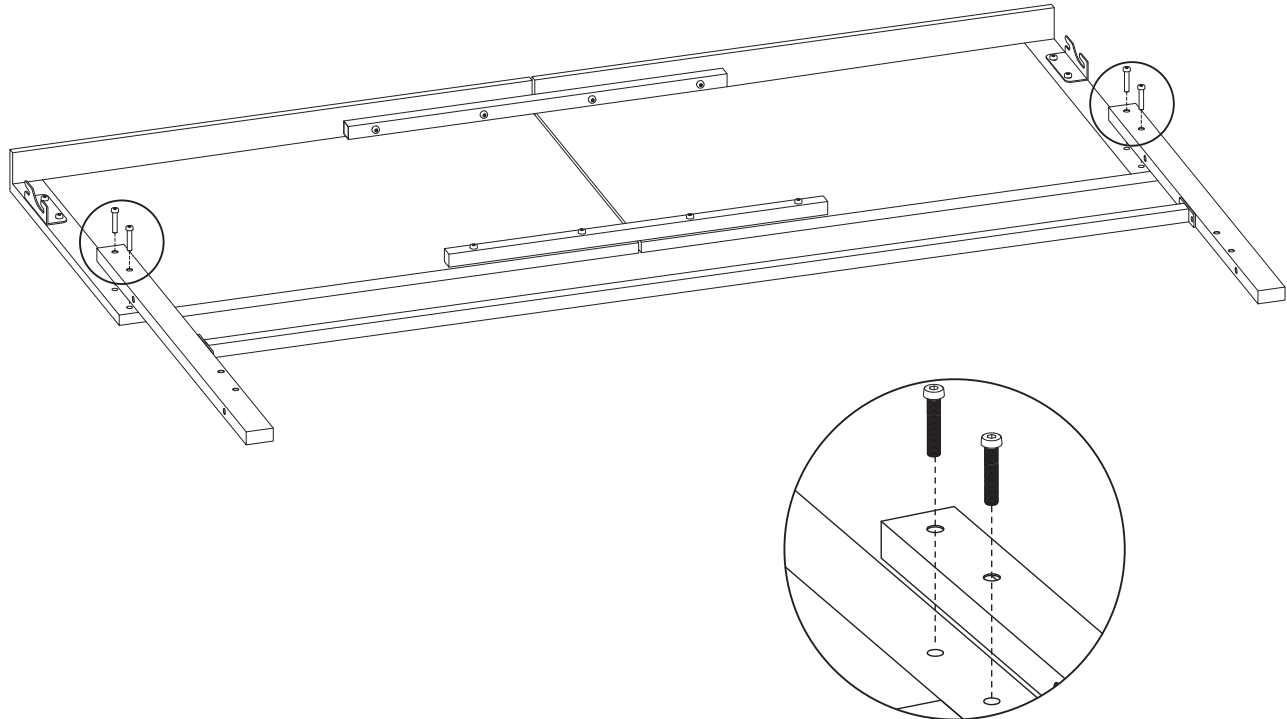
Step 3

A  **x4**





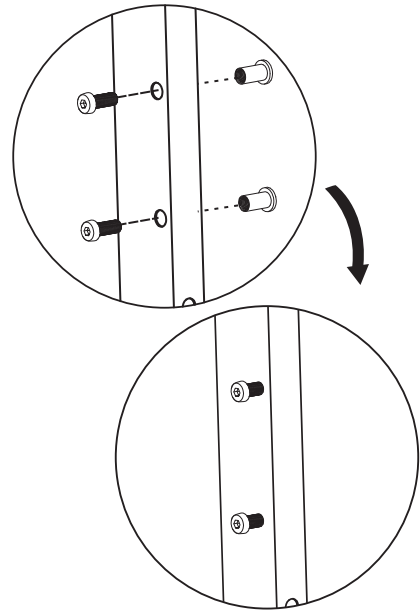
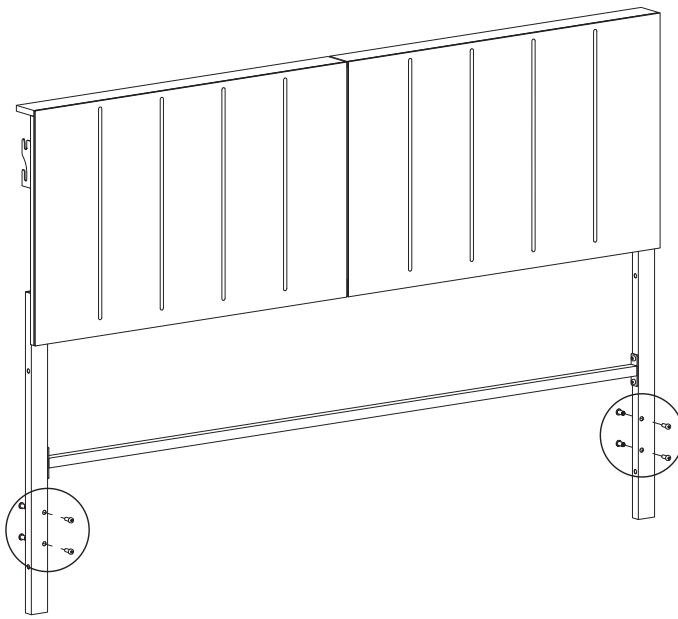
Step 4

B  **x4**




Step 5

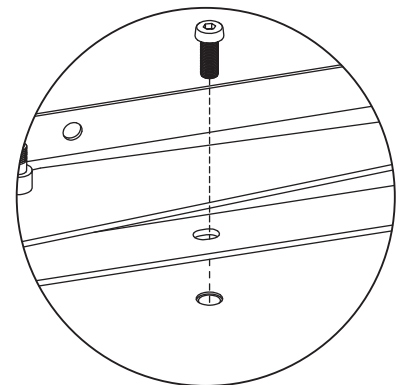
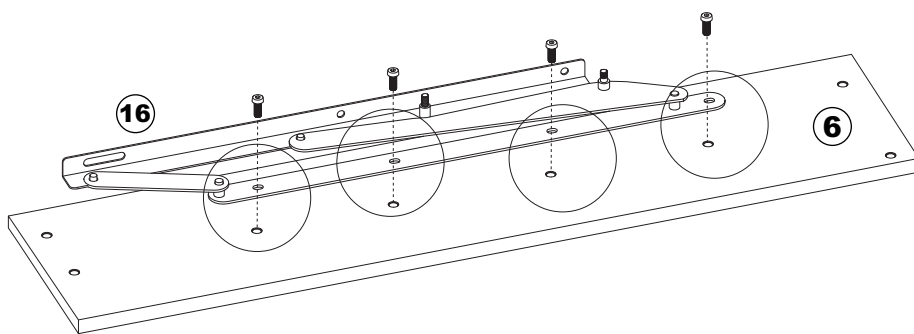
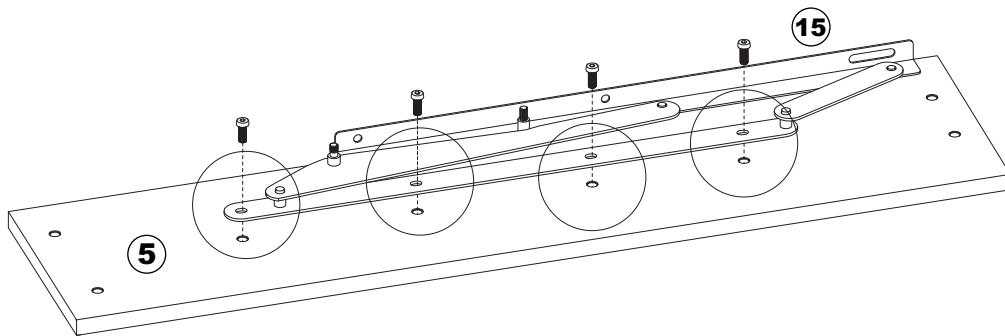
- A**  **x4**
- D**  **x4**



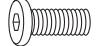
Leave half the bolts outside.

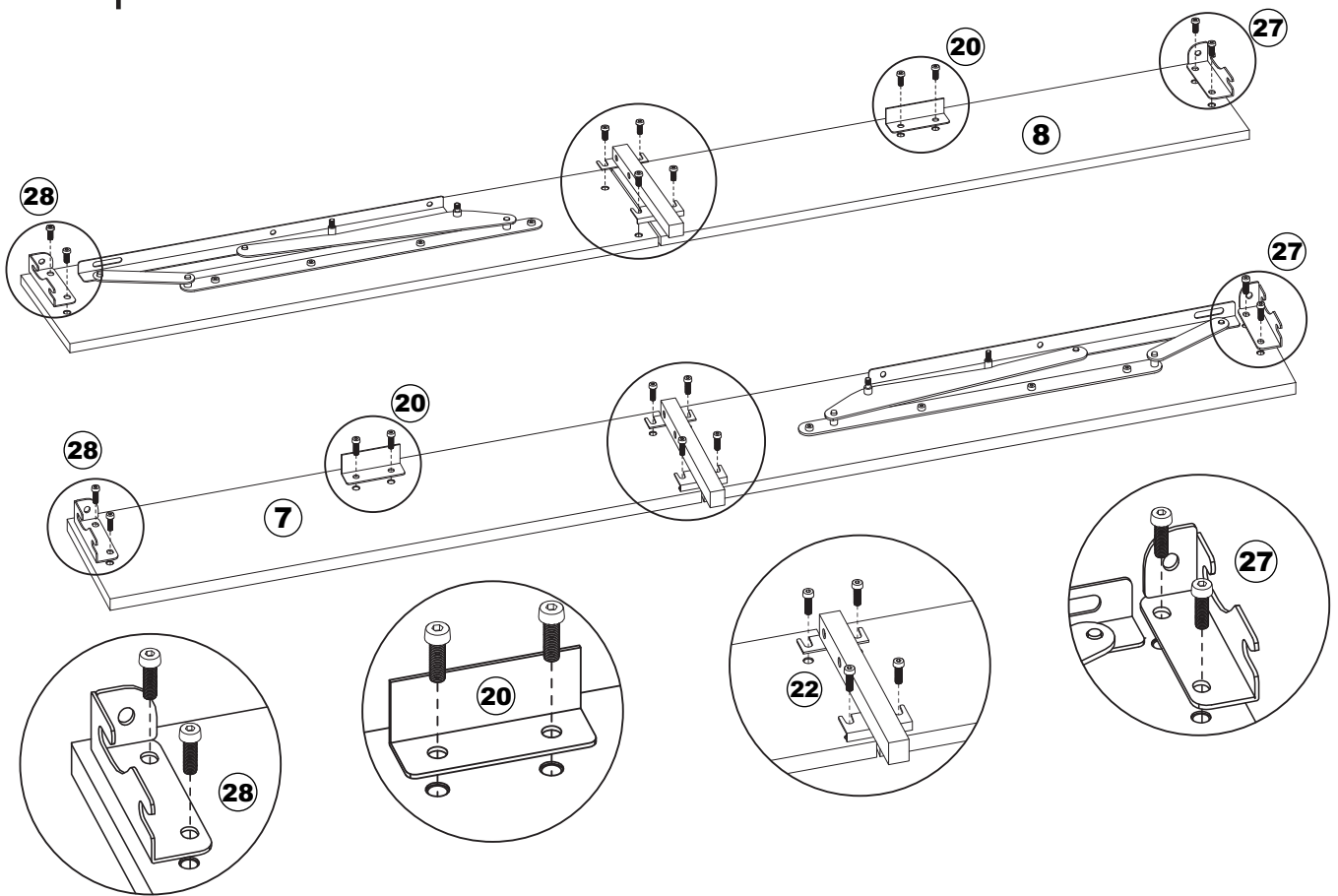
Step 6

- A**  **x8**

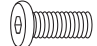


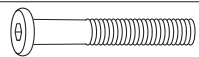
Step 7

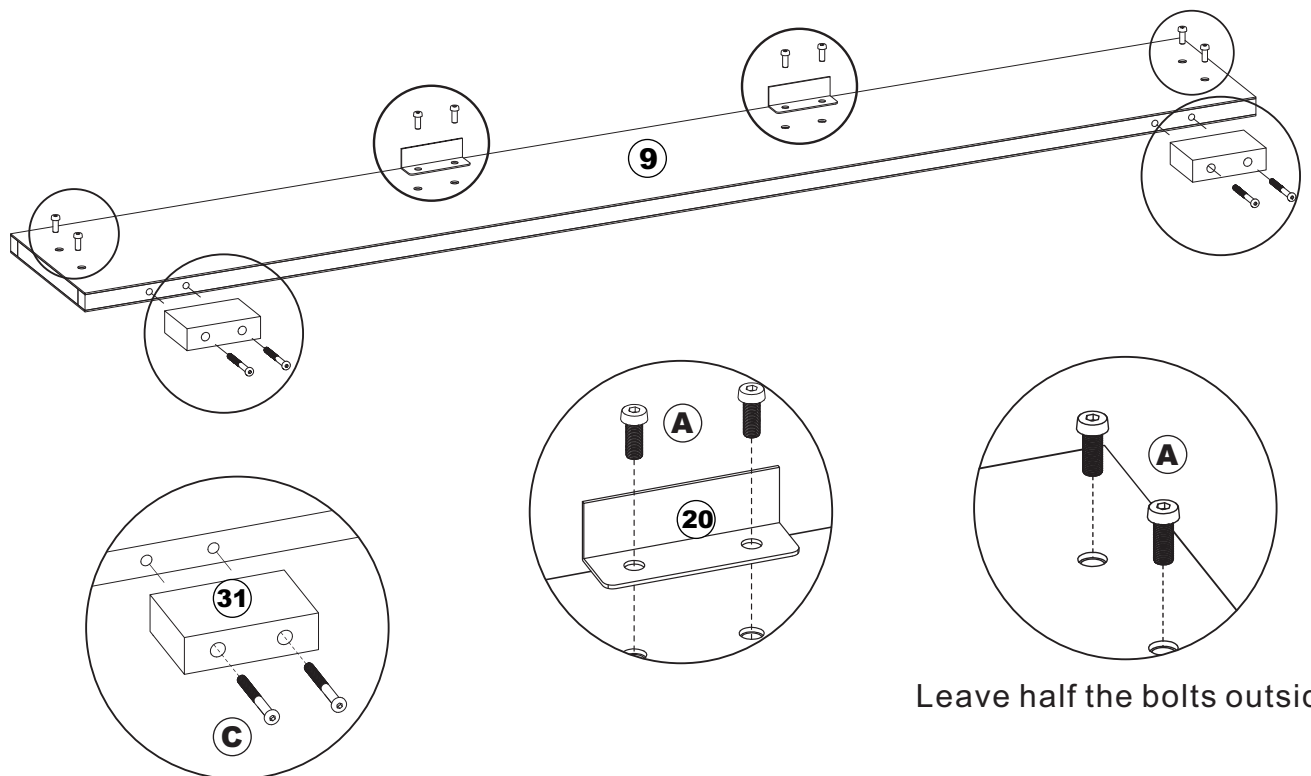
A  **x20**



Step 8

A  **x8**

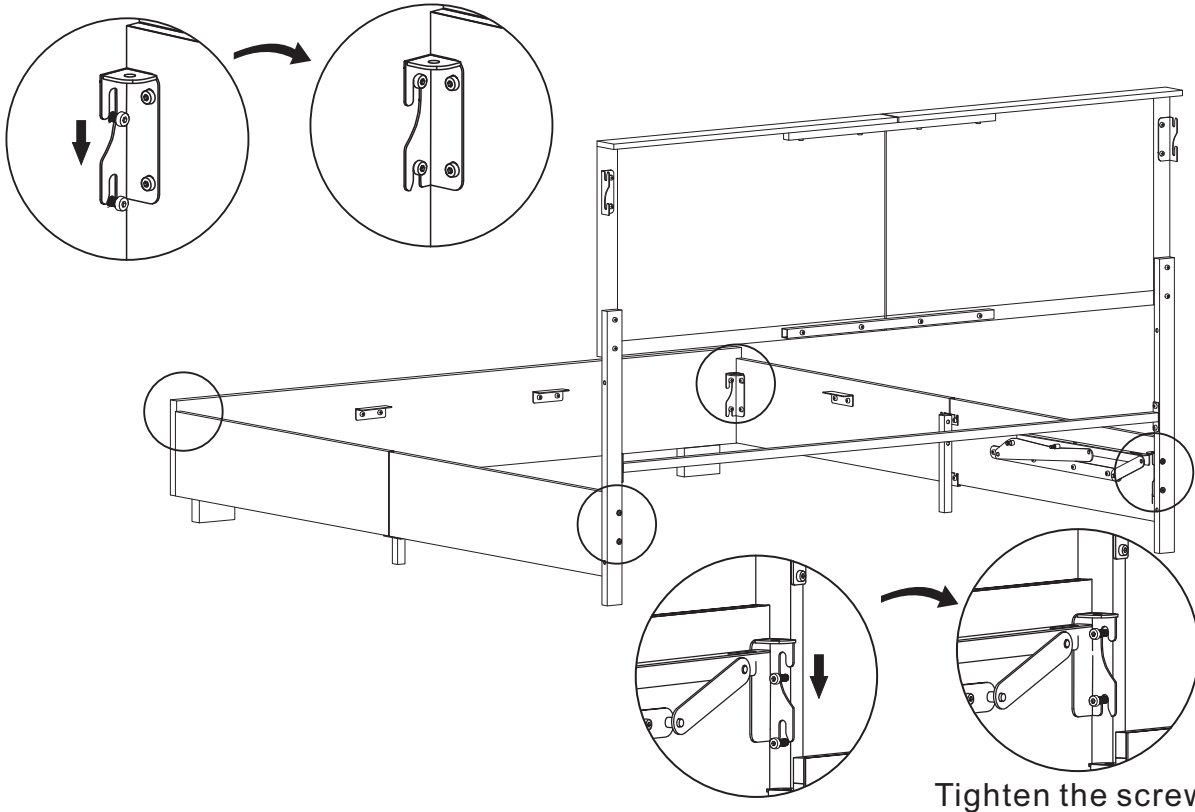
C  **x4**



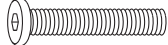
Leave half the bolts outside.

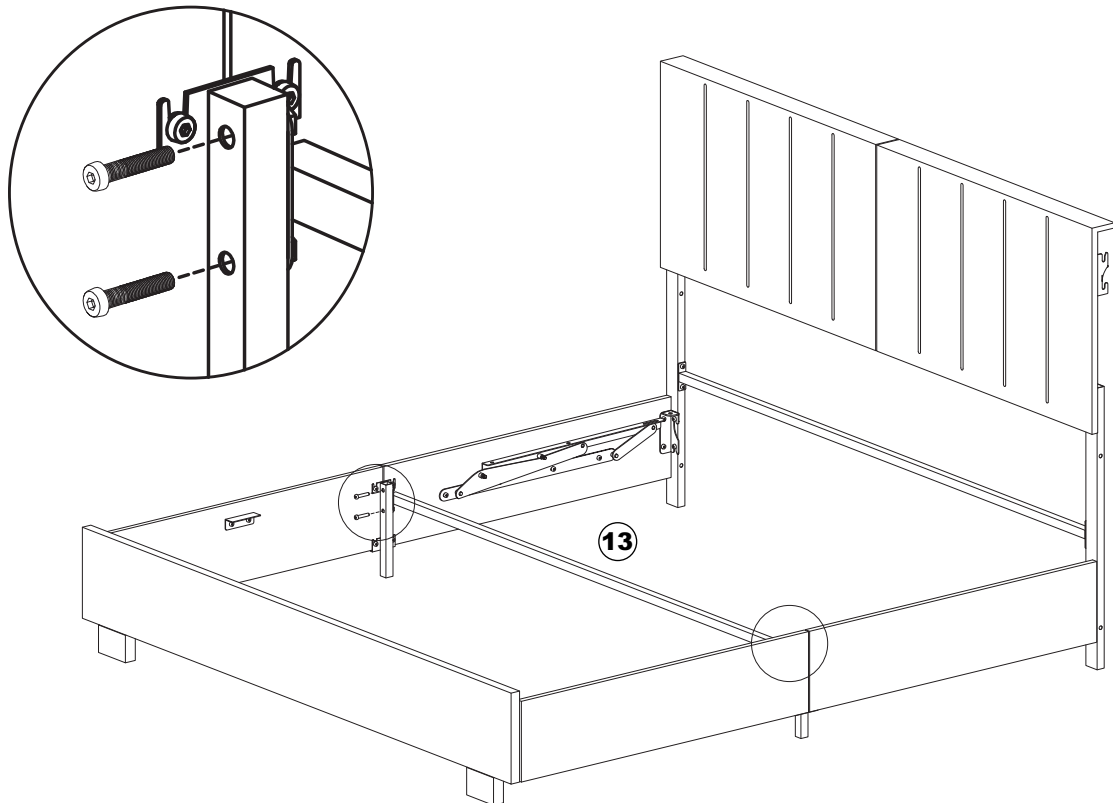
Step 9

Tighten the screws.

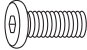


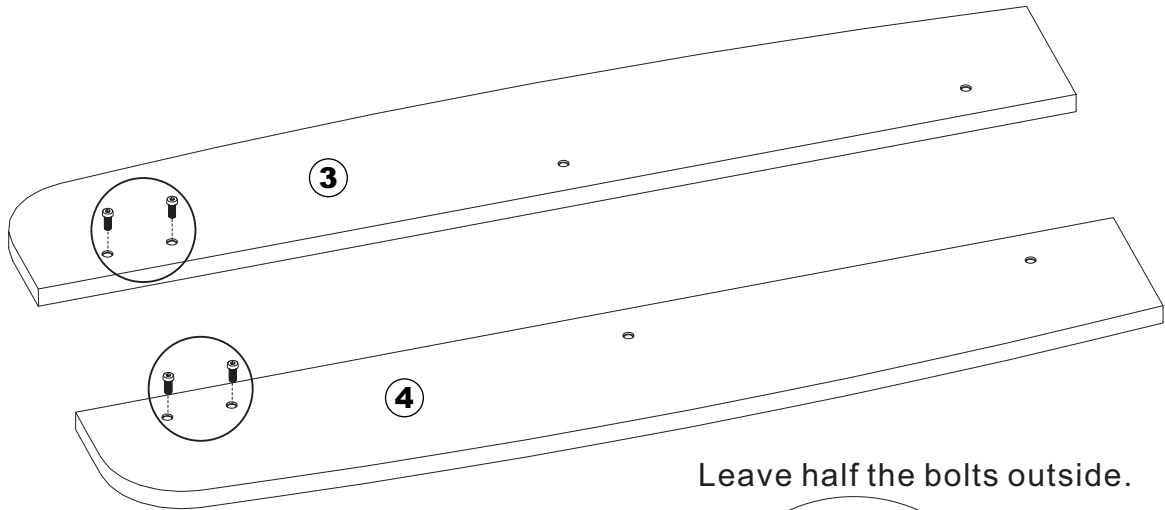
Step 10

B  **x4**

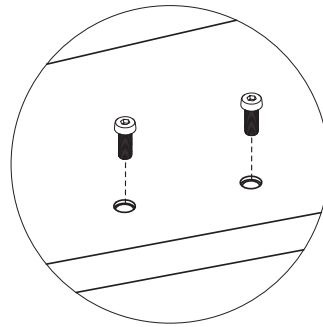


Step 11

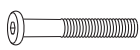
A  **x4**

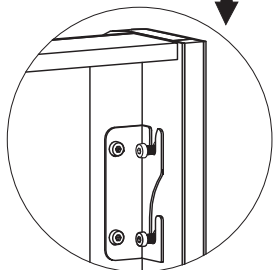
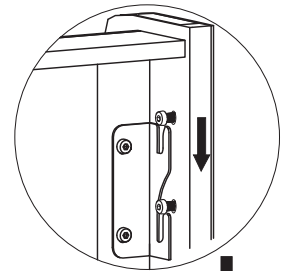
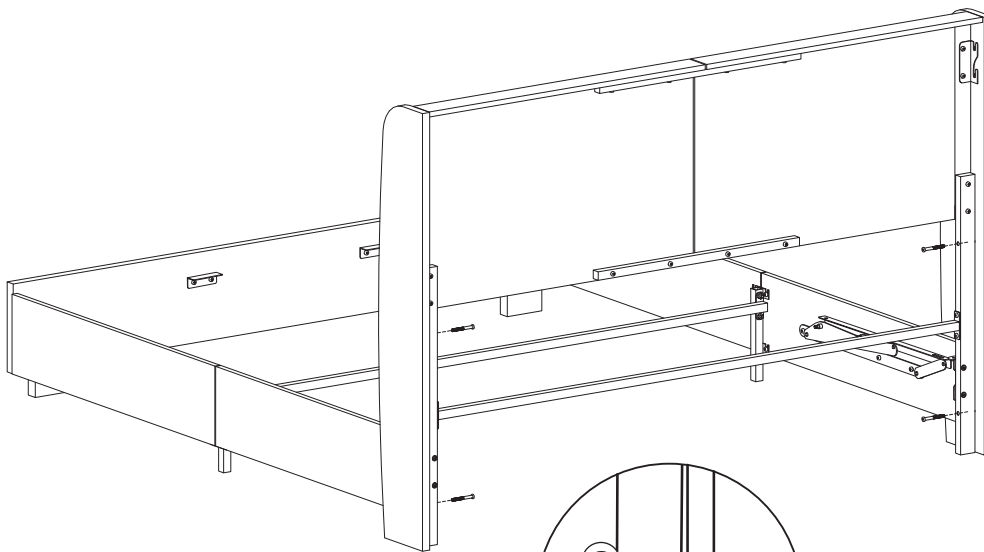


Leave half the bolts outside.



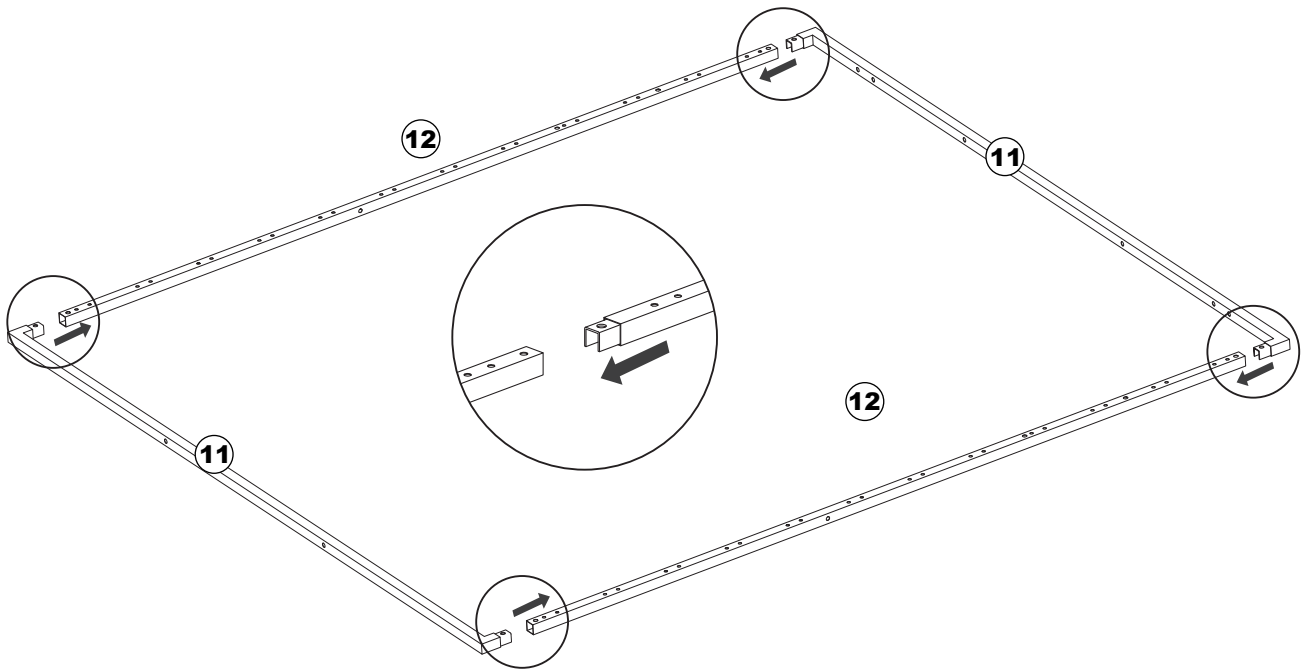
Step 12

C  **x4**





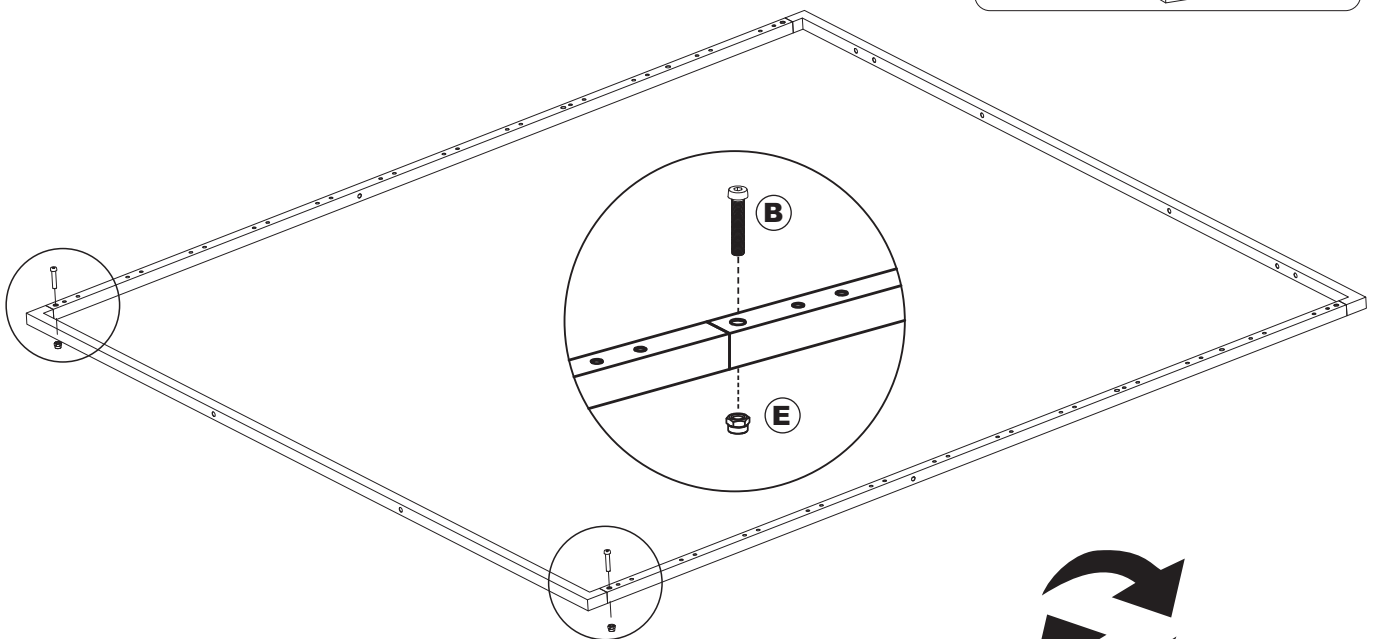
Tighten the screws.

Step 13




Step 14

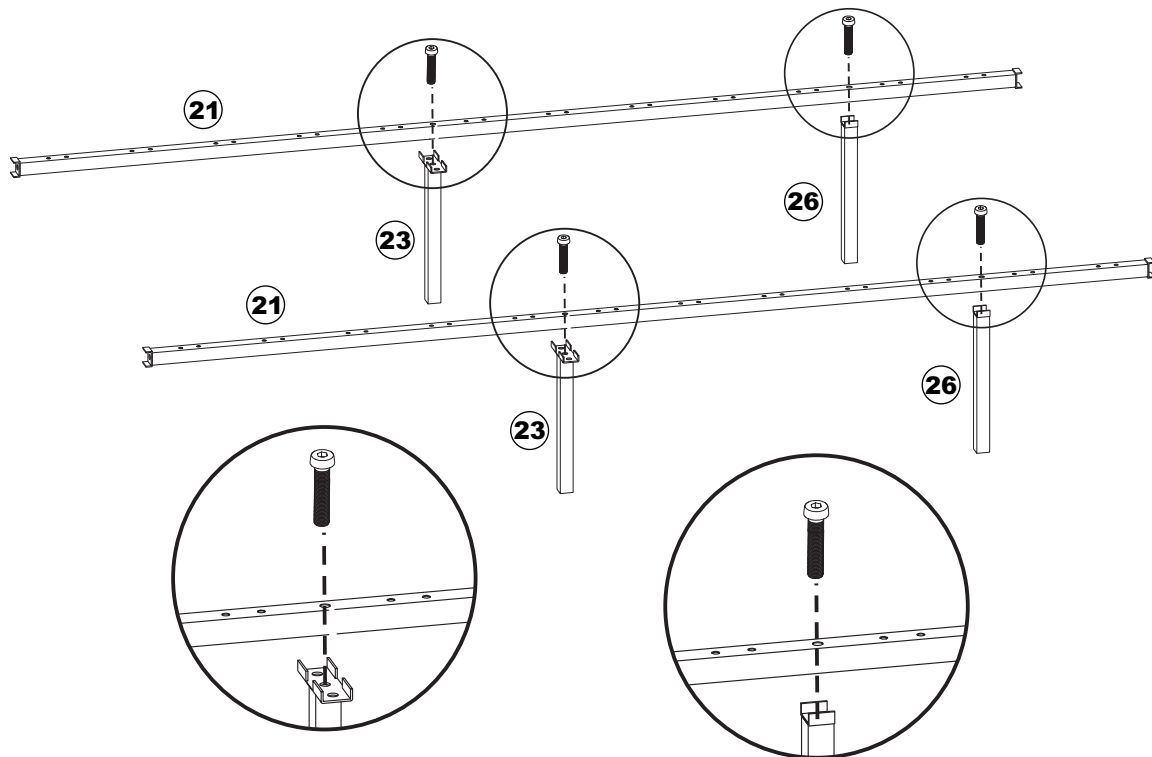
- B**  **x2**
- E**  **x2**



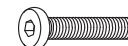
After assembly, turn 180°, face down

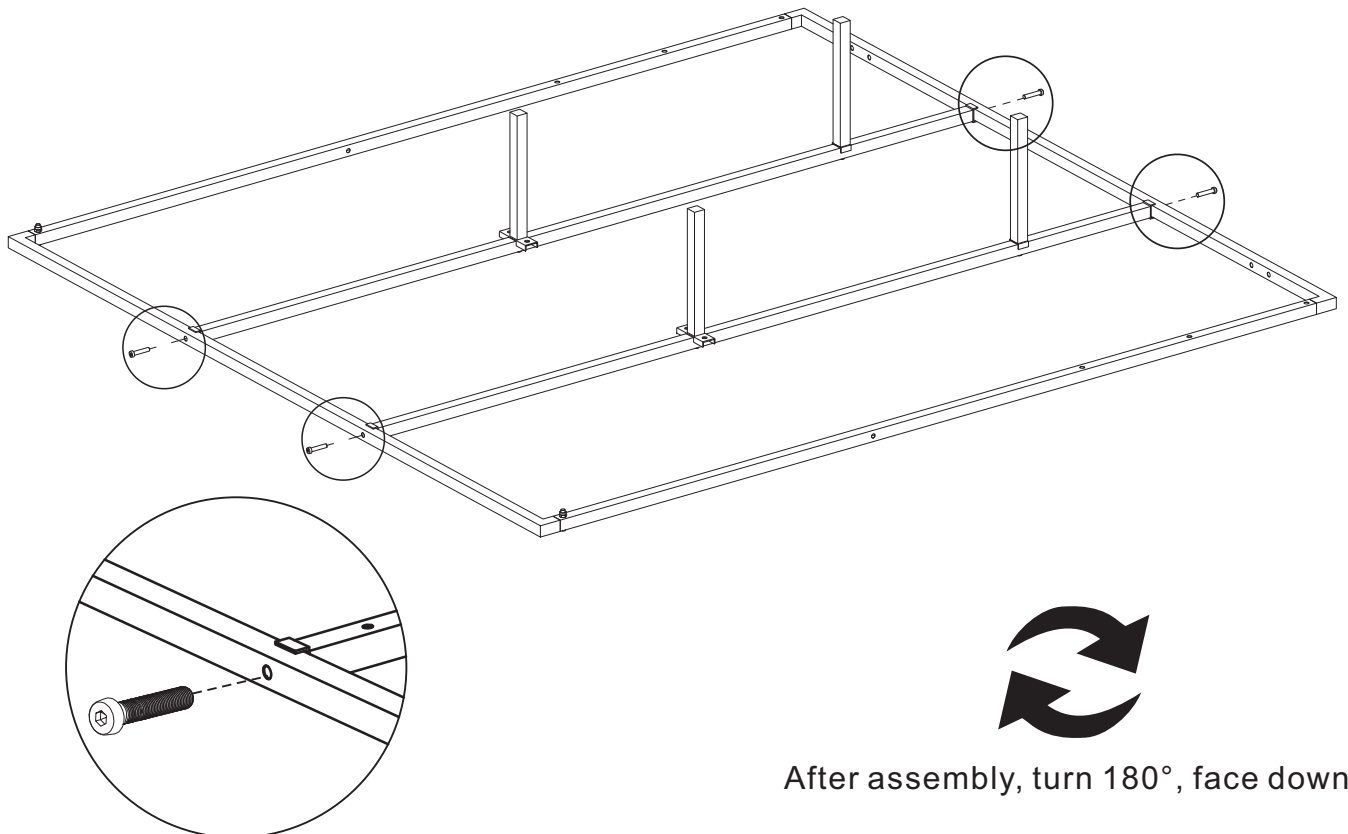
Step 15

B  **x4**




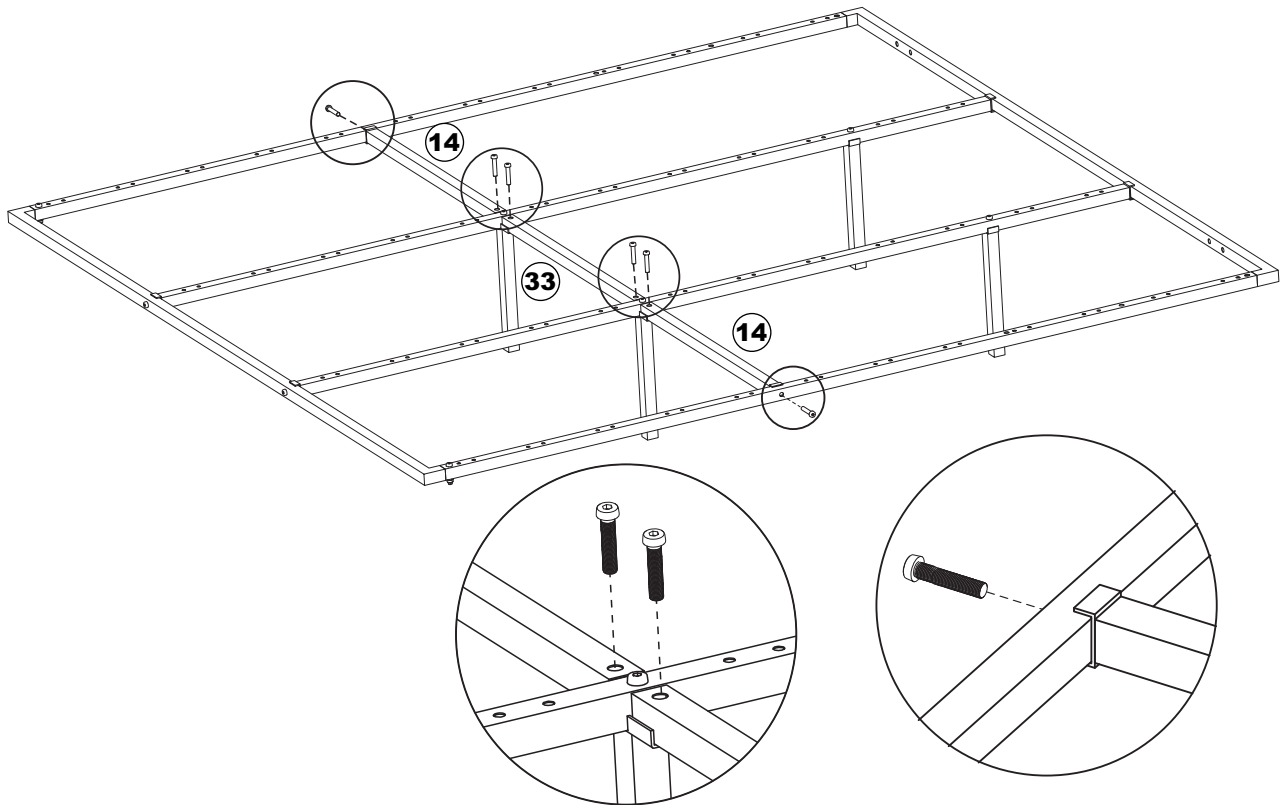
Step 16

B  **x4**

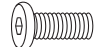


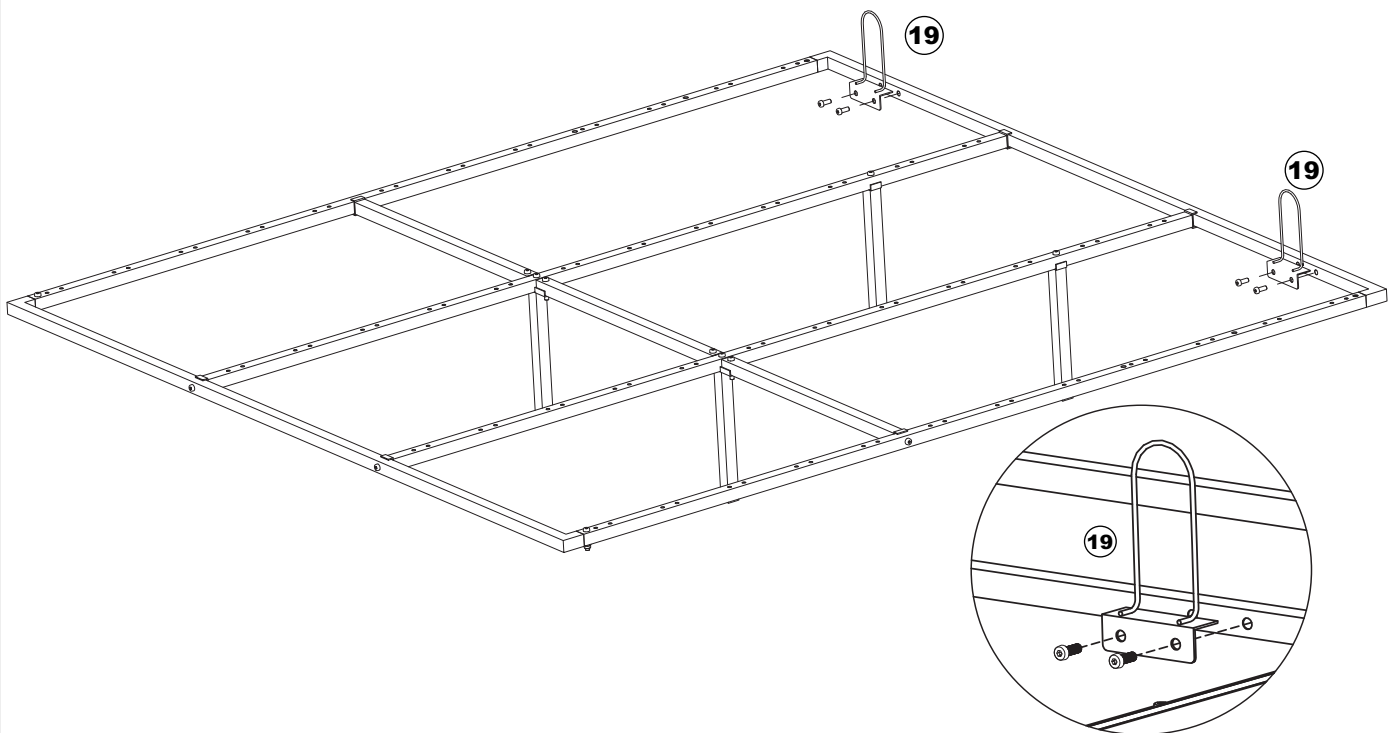
Step 17

B  **x6**




Step 18

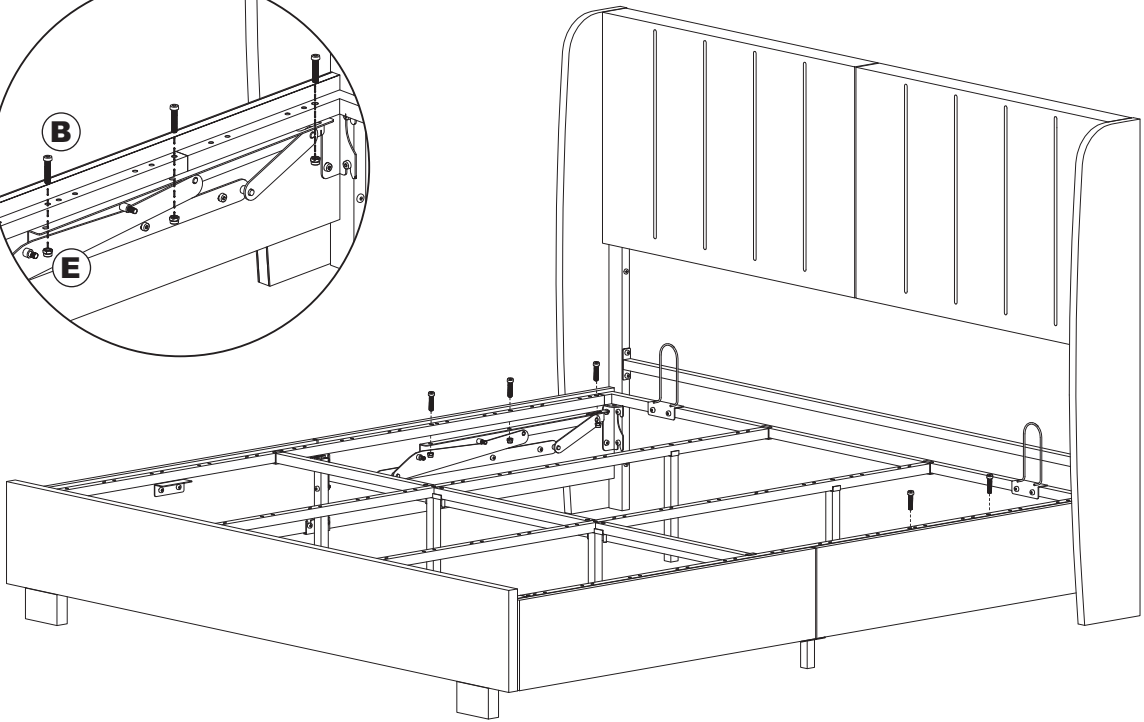
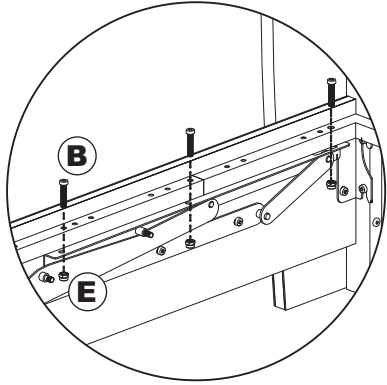
A  **x4**



Step 19

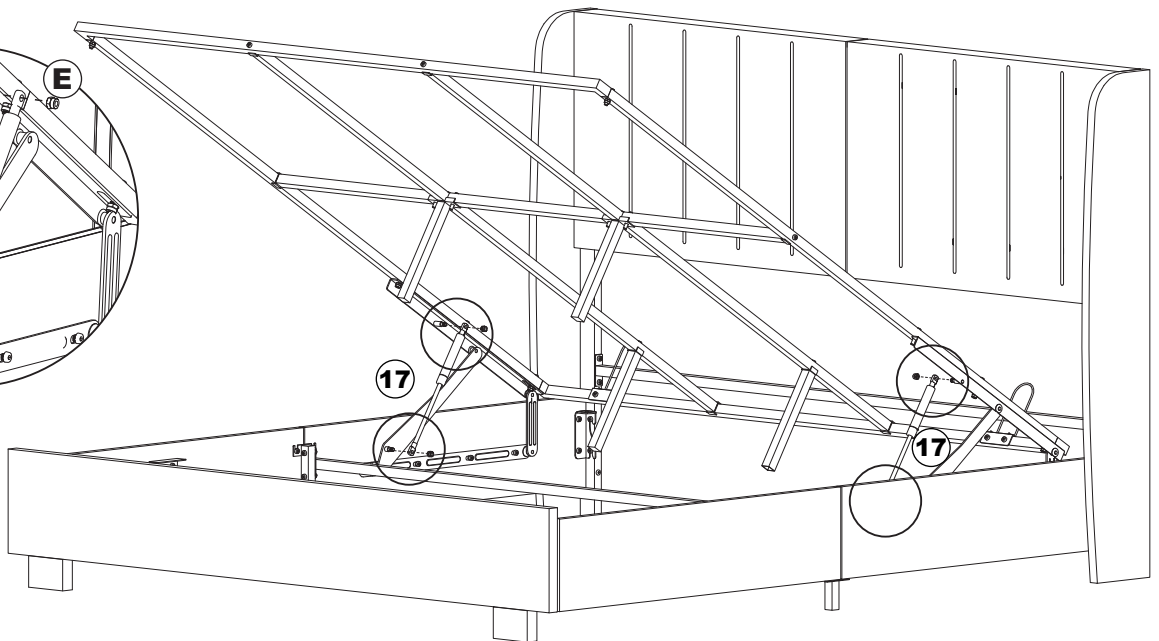
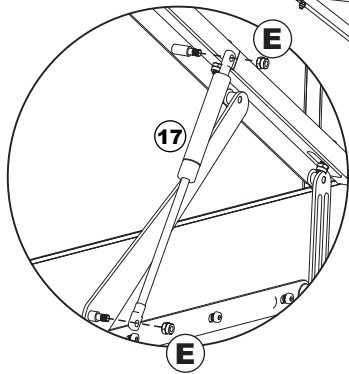
B  **x6**

E  **x6**

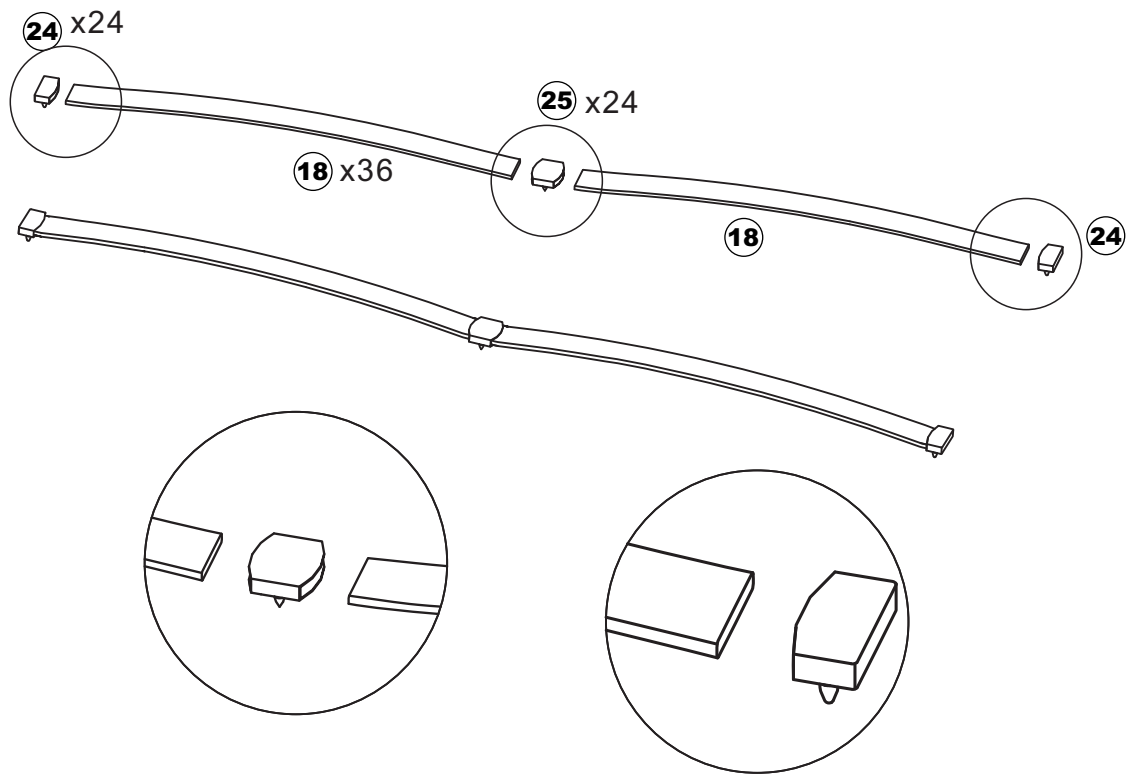


Step 20

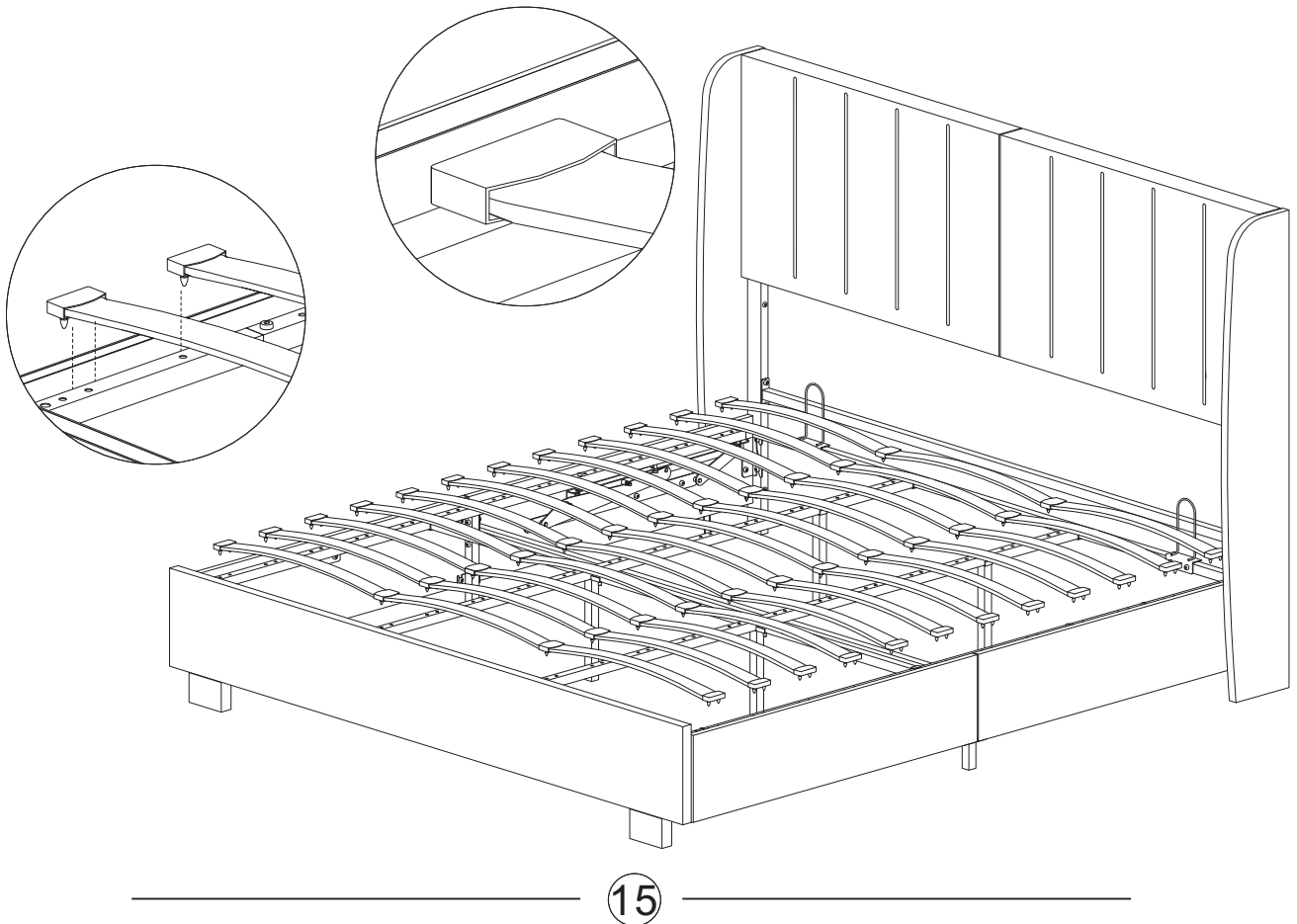
E  **x4**



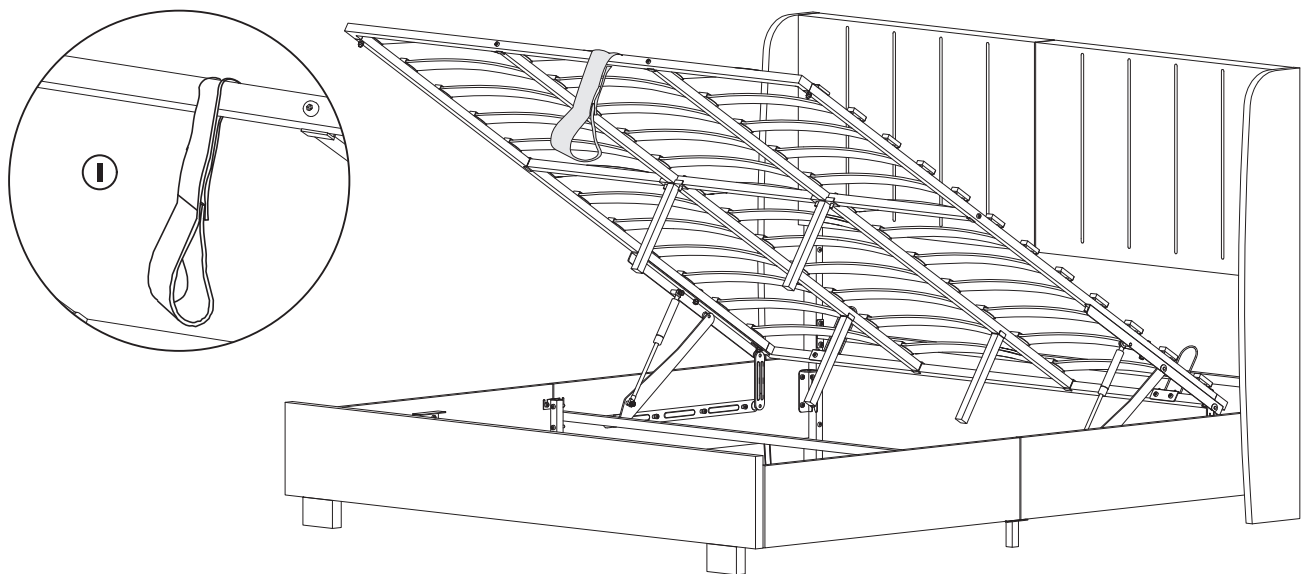
Step 21



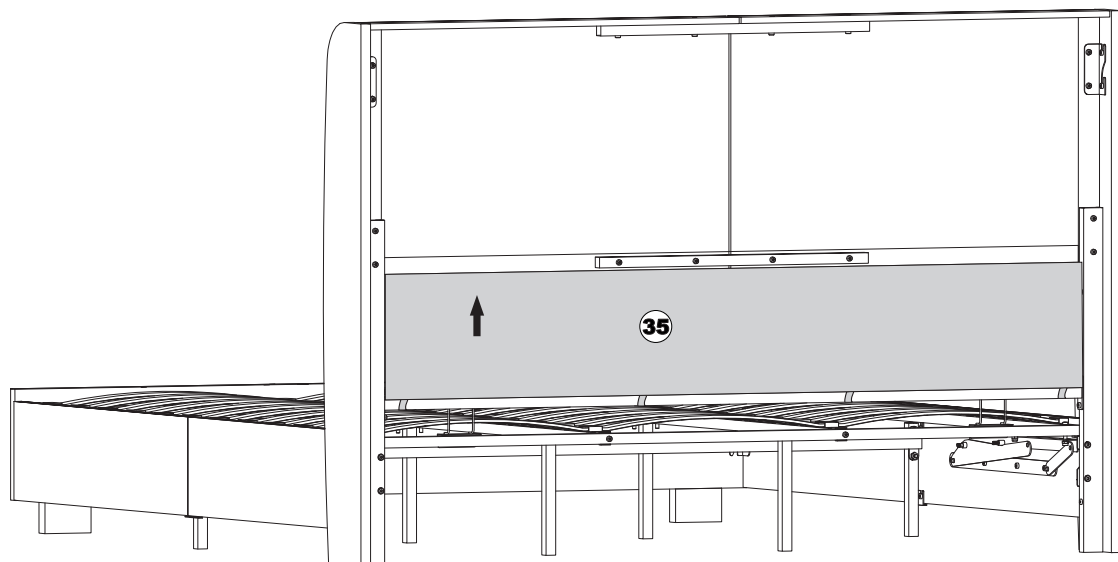
Step 22



Step 23



Step 24



Velcro hook, stick to the wool

