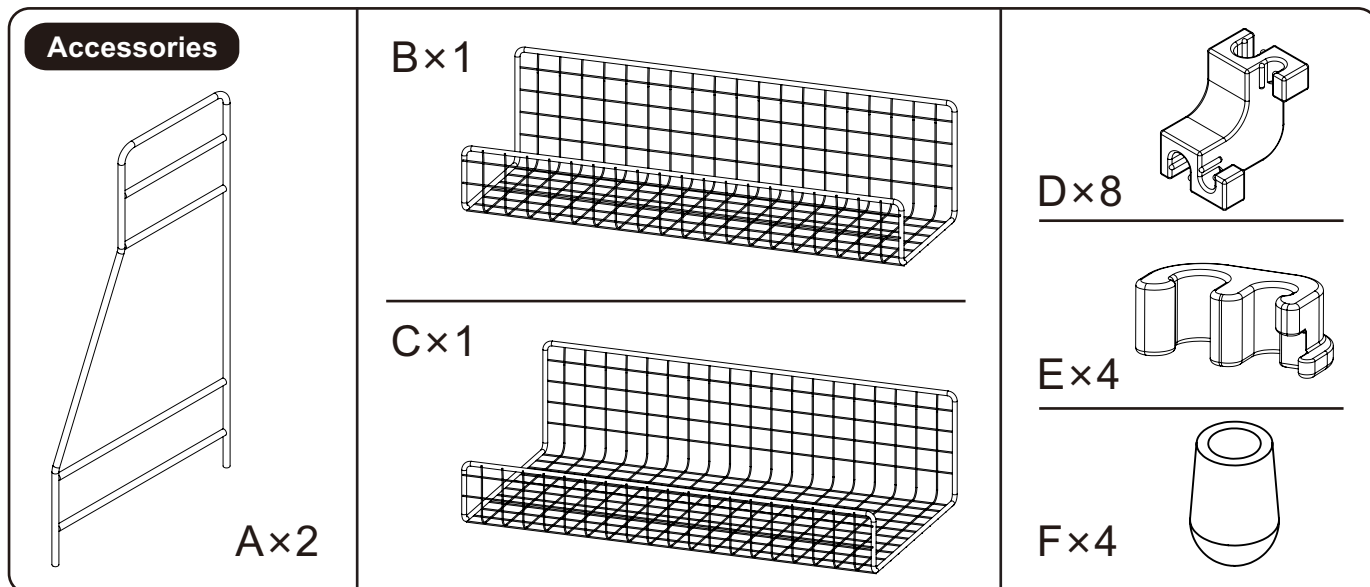


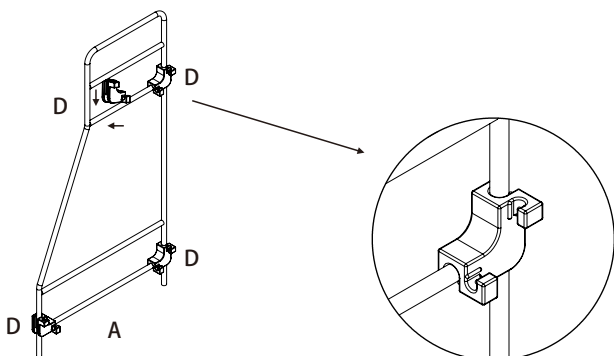
# Installation Instruction of Two-layer cosmetic rack

[ Thank you for purchasing this product. In order to use the safety, please carefully follow the installation instructions to avoid unnecessary damage. If you find any problems when using this product, please contact customer service, we will be happy to help you. ]

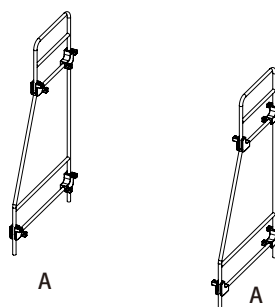


## Installation steps:

① First, insert 4 D into A according to the illustration.

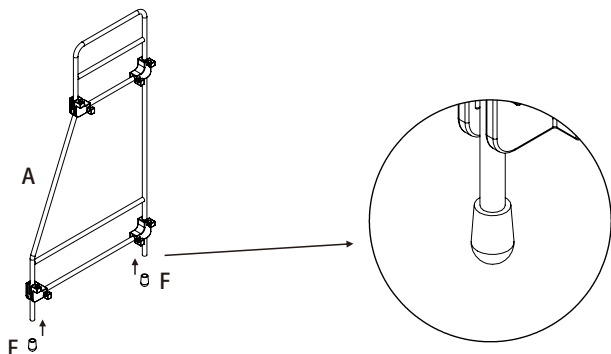


② In the same way, 4 D cards are inserted into another A, and the two As after completion are mirror symmetrical.

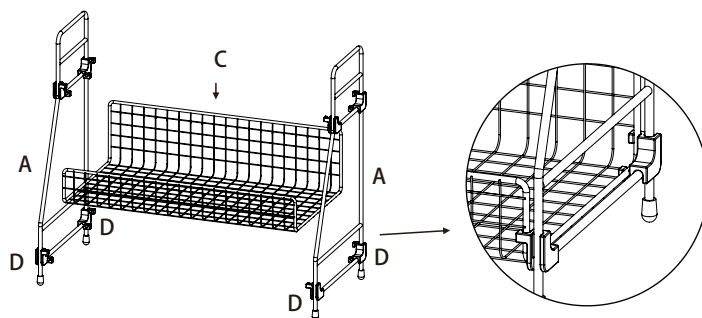


⚠ 2 A after completion are mirror symmetrical, as shown in picture.

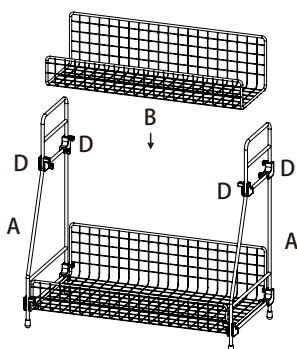
③ Take 4 F and insert the foot of 2 A respectively.



④ Press the thick edge of C into the 4 D at the bottom of A to fix 2 A



⑤ Press B in the same way into the 4 D at the top of A, as shown



⑥ Fasten the 4 E as shown in the figure to reinforce the frame to complete the installation

