





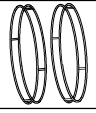

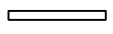

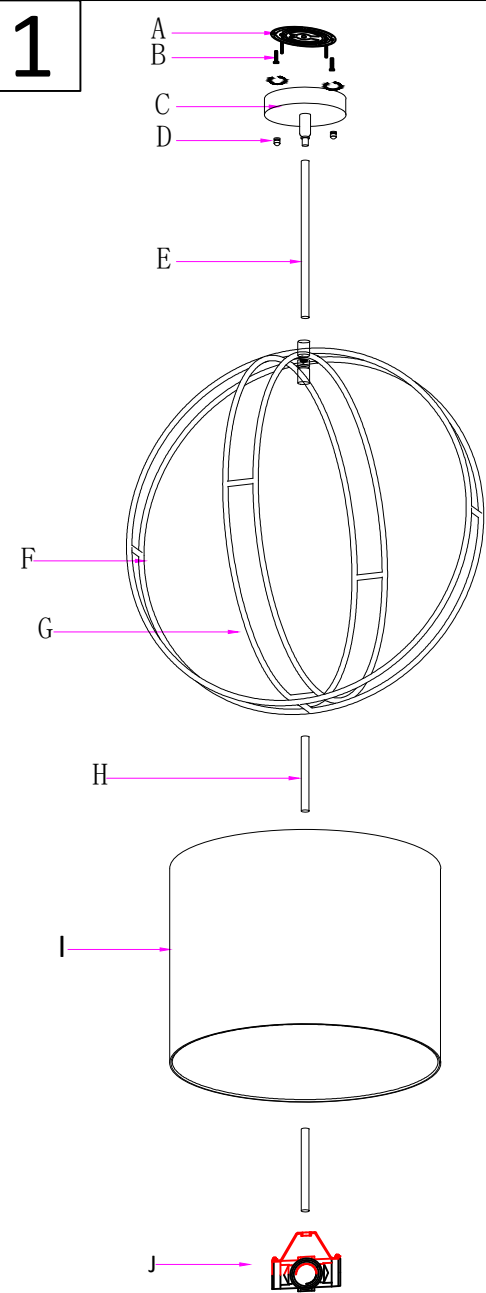


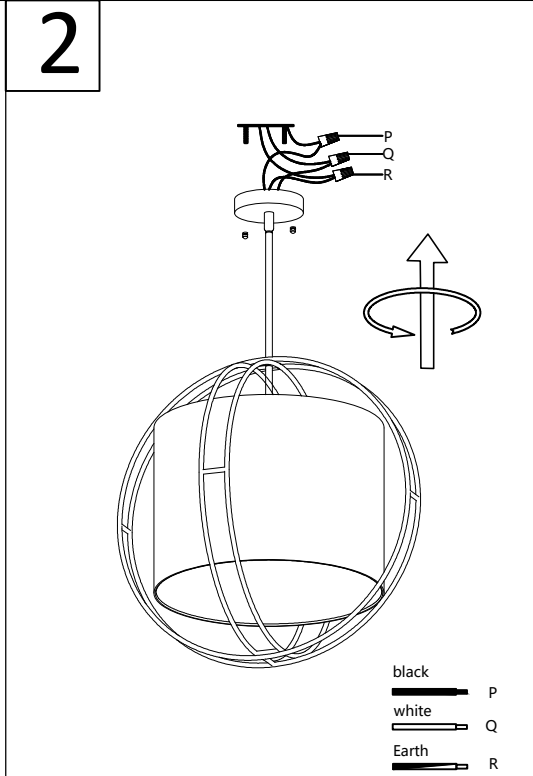
Installation Instruction

Part List and Hardware List

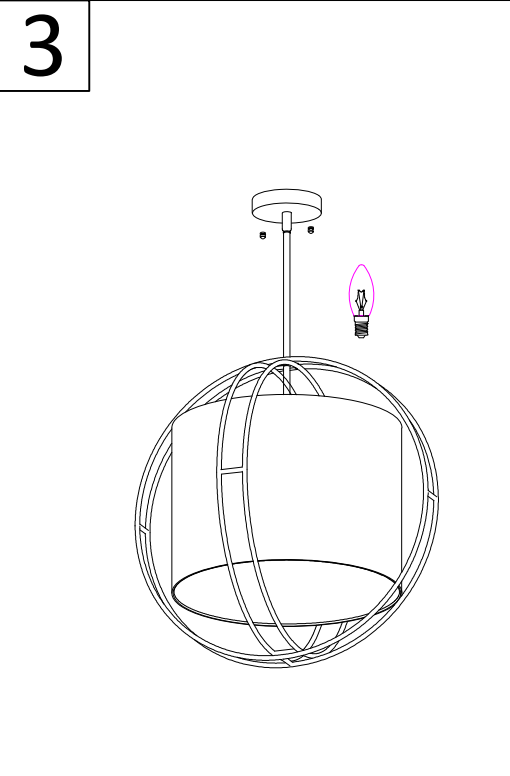
ITEM	PICTURE	DESCRIPTION	QUANTITY	IETM	PICTURE	DESCRIPTION	QUANTITY
A		Mounting Bracket	X1	J		Lamp Body	X1
B		Self-tapping Screws	X2				
C		Canopy	X1	L			
D		M4 Nuts	X2	M			
E		Downrods	15.7X3 5.9"X1	N			
F		Large round frame	X1	O		Wire connectors	X3
G		Small round frame	X1	P	black	Line Wire	X1
H		Short round tube	X1	Q	white	Neutral Wire	X1
I		Fabric lampshade	X1	R	Earth	Ground wire	X1



Step 1:
 1. Fix the Mounting Bracket(A) into the ceiling with Self-tapping screw(B).
 2. Then use Lamp Body (J) and Fabric lampshade (I) + short round tube (H) and large and small round frame (F. G) to connect with Downrods (E)



Step 2:
 4. Connect the wires and your home wires to the connector (black to black, white to white, earth to earth)
 5. Install the light fixture to the ceiling with M4 nut(D)



Step 3:
 6. Finally, install the E12 light bulb to complete the installation.