

Assembly Instructions

Caution: You must read this before you proceed

Care & Maintenance



- Not for commercial use. For residential use only.



- Furniture may scratch floors. We recommend using furniture pads to protect your floors.



- Do not put hot items directly on furniture surface.



- Do not clean furniture with harsh cleansers or polish.



- Do not place furniture under direct sunlight.



- Do not place furniture near heating or cooling vents.



- Do not write on furniture without a padded barrier to protect the surface.



- Do not place furniture outside . For indoor use only.



- Stains may be removed with mild soap solution and damp cloth.

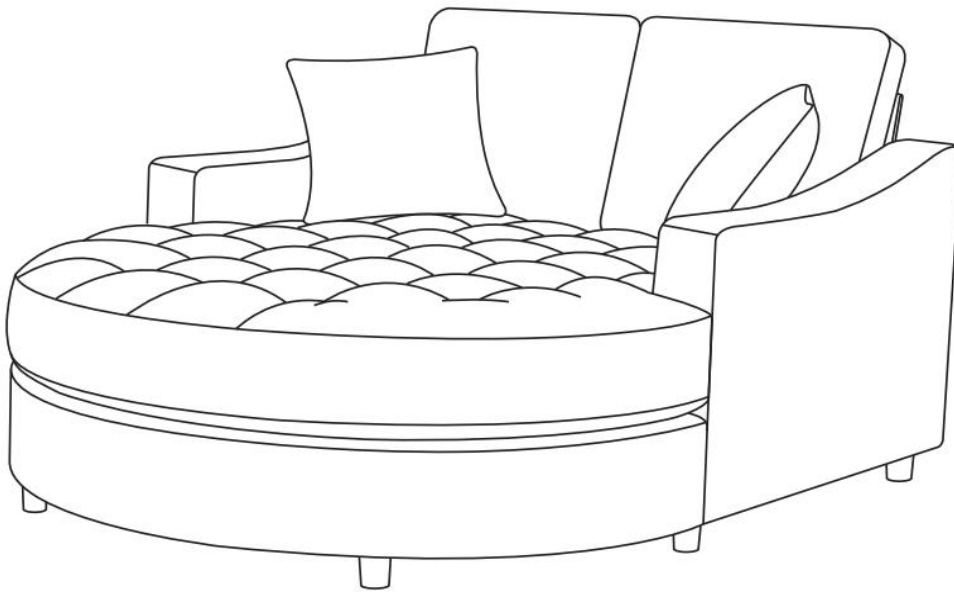


- Children should not climb or jump on the furniture.

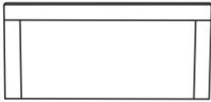




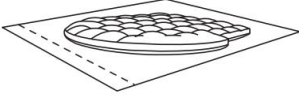





- Dust and pick-up spills using a clean, non-colored, lint-free cloth.





SOFA



Part List

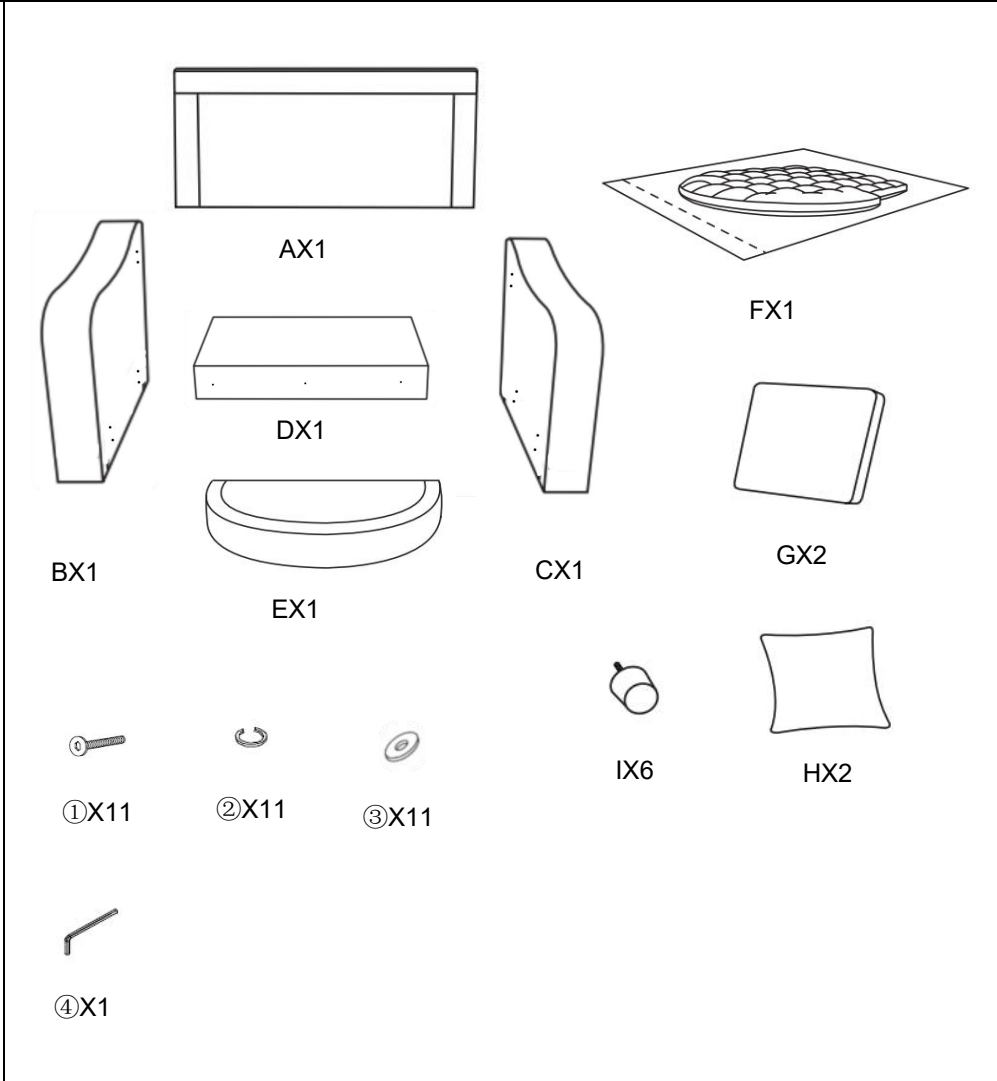
Label	Picture	Description	QTY
A		Backrest	1
B		Left Armrest	1
C		Right Armrest	1
D		Seat Frame	1
E		Front Seat Frame	1
F		Seat Cushion	1
G		Back Cushion	2
H		Pillow	2
I		Leg	6

Hardware

Label	Picture	Description	QTY
①		Bolt (1/4*40 MM)	11
②		Spring Washer	11
③		Flat Washer	11
④		Allen Wrench(S5)	1

Assembly Preparation

Before Beginning Assembly:





- Read instructions, cover to cover-



- Have 2 adults on hand for assembly-



- Do not assemble on flooring or carpet-



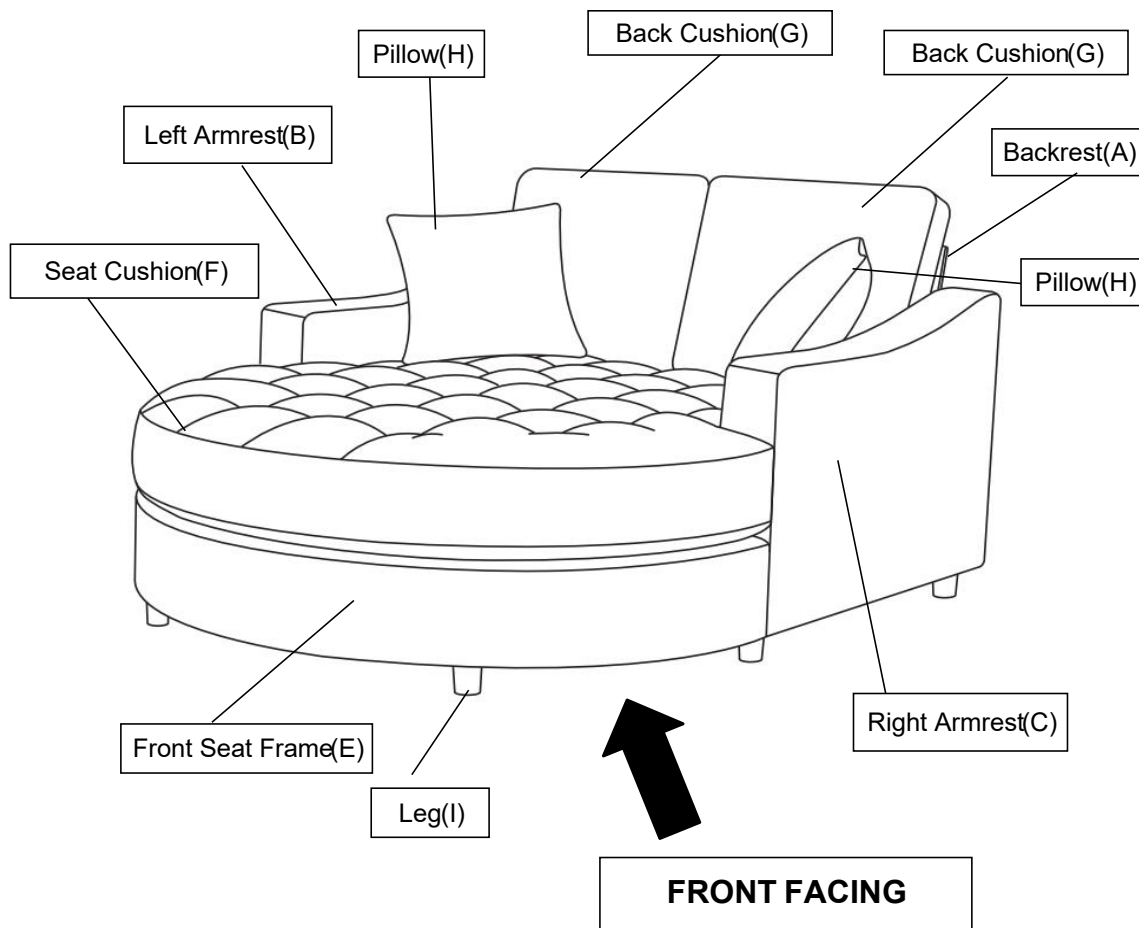
- Assemble on a clean non-marring surface (packing foam)-



- Save all packaging until finished-

Assembly Steps

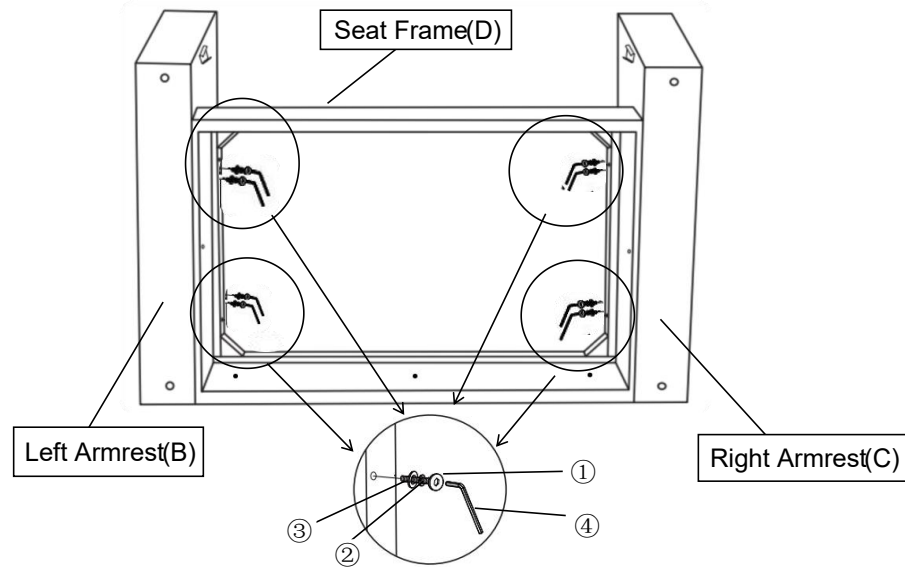
OVERVIEW



This Sofa has multiple parts and may require up to 60 minutes to assemble. To give you an overview of the Sofa parts, the above picture is to help you put the various parts into perspective. Please read through the instructions below to familiarise yourself with the parts and steps before assembly.

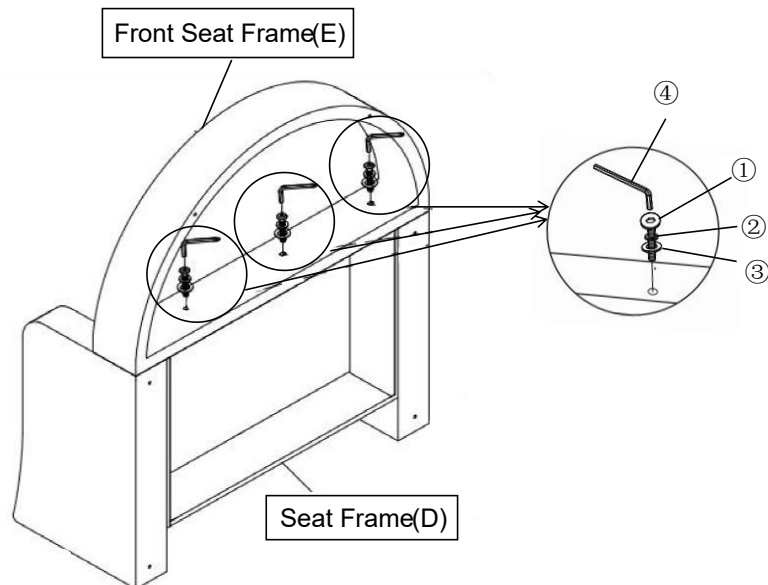
Note: It is recommended that you have an adult partner to assist during the entire assembly process.

Step 1



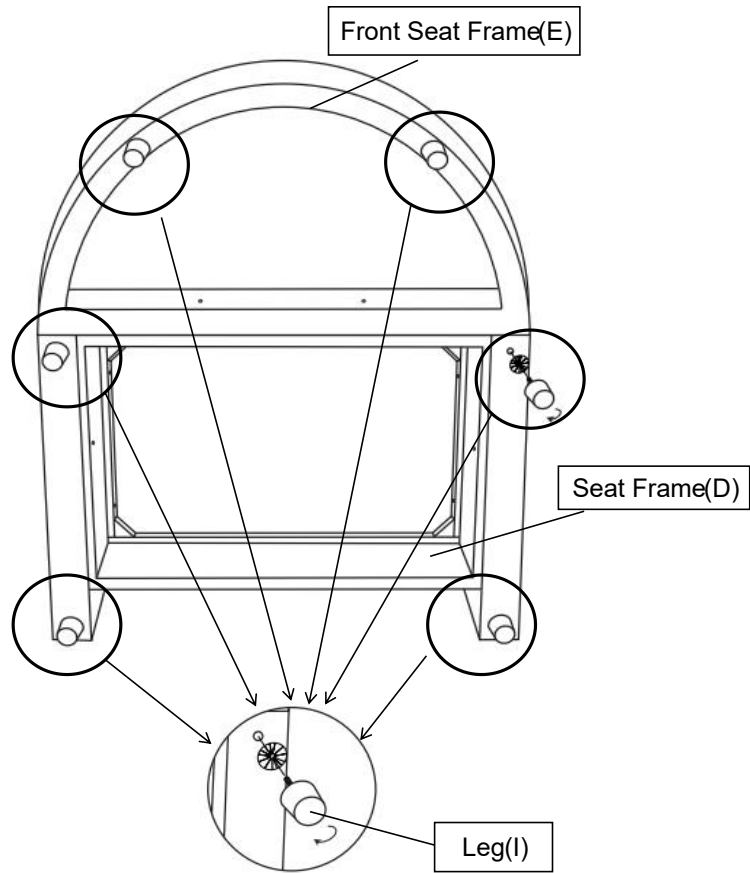
Attach Left Armrest(B) and Right Armrest(C) to the Seat Frame(D) using Bolts(①), Spring Washers(②), and Washer(③) with Allen Wrench(④), turning clockwise in a sequential manner. **DO NOT fully tighten the bolt in this step.**

Step 2



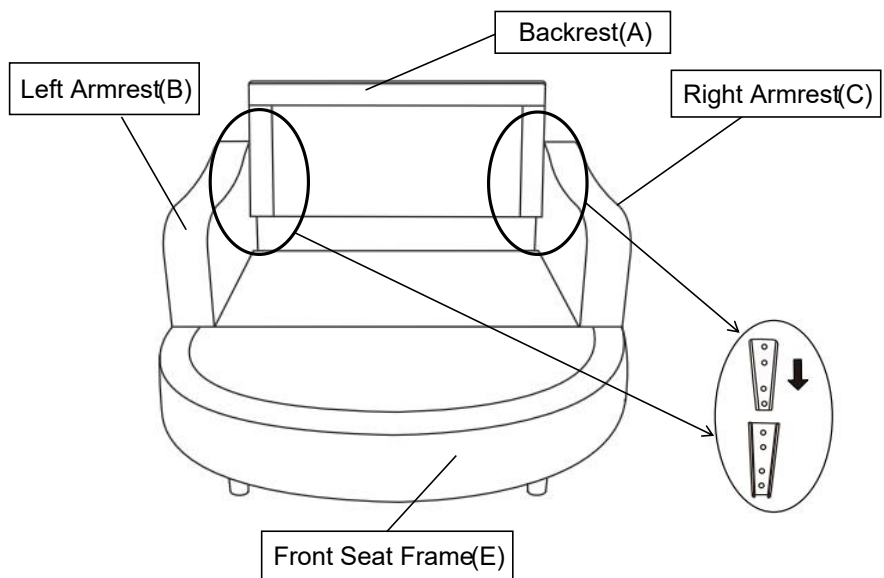
Attach the Seat Frame(D) to Front Seat Frame(E) using Bolts(①), Spring Washers(②), and Flat Washer (③) with Allen Wrench(④), turning clockwise in a sequential manner. **DO NOT fully tighten the bolt in this step.**

Step 3



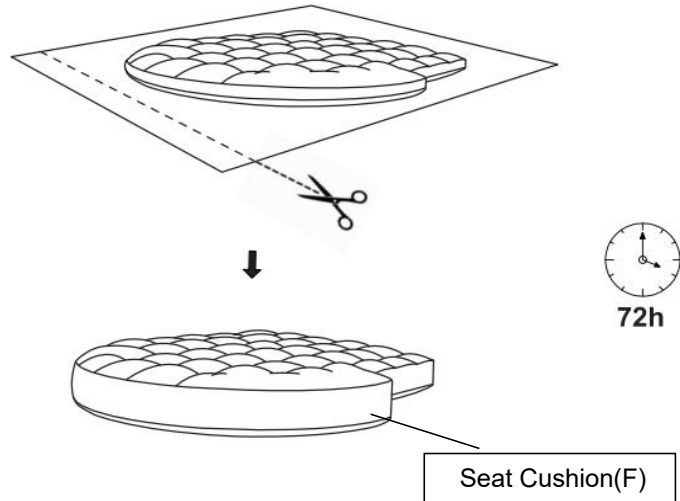
Install the Leg(I) at the bottom of the Sofa with plastic washer on the threaded stem.

Step 4



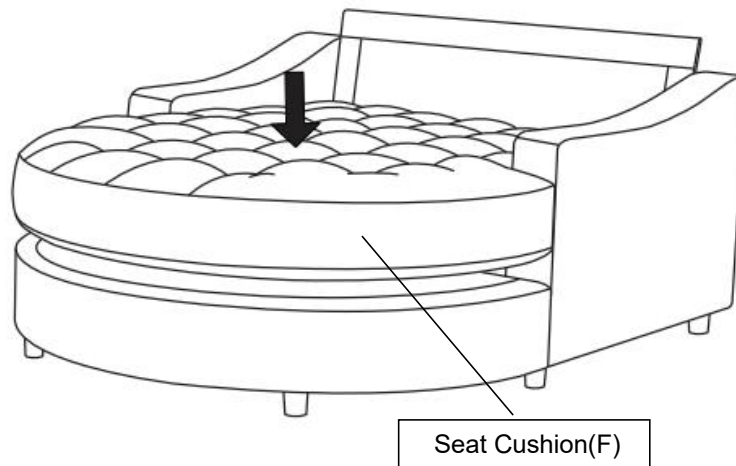
With the help of your adult partner, slide the Tapered Connectors on the Backrest(A) into the Tapered Connectors on the Left Armrest(B) and the Right Armrest(C) until locked as shown in the picture .
After this step, pls make sure to fully tighten the bolt in the step 1, step 2.

Step 5



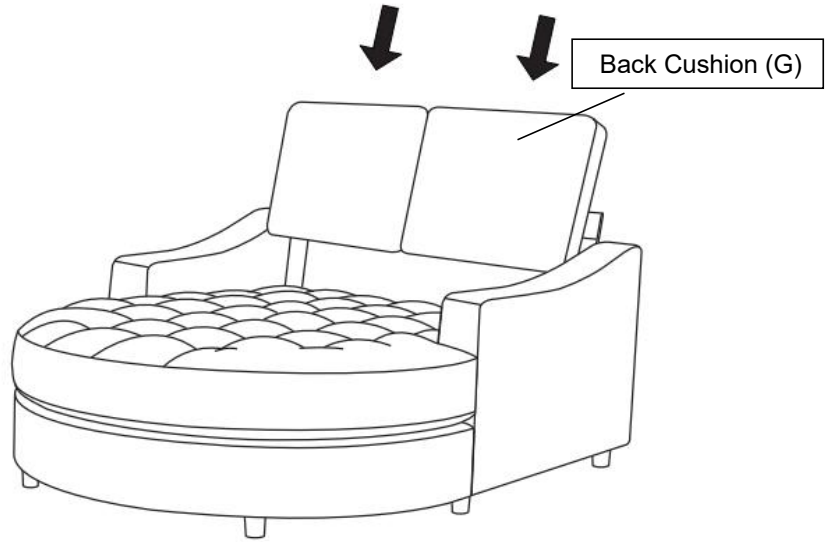
Cut the package of the Seat Cushion(F) and take out the Seat Cushion(F).
It may take up to 72 hours for the Seat Cushion(F) to fully fluff up.

Step 6



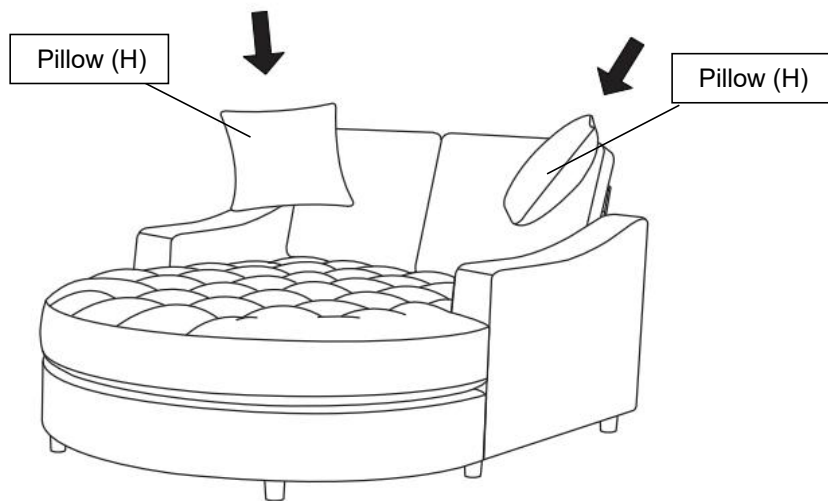
Put the Seat Cushion (F) on the sofa.

Step 7



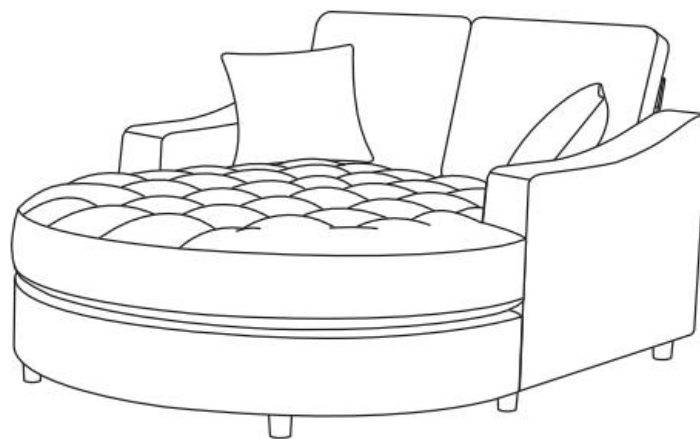
Put 2 pcs the Back Cushion (G) on the sofa.

Step 8



Put the 2 pcs Pillow (H) on the sofa.

Step 9



Your sofa is ready for use.
This sofa can only be used on a flat, level surface.