

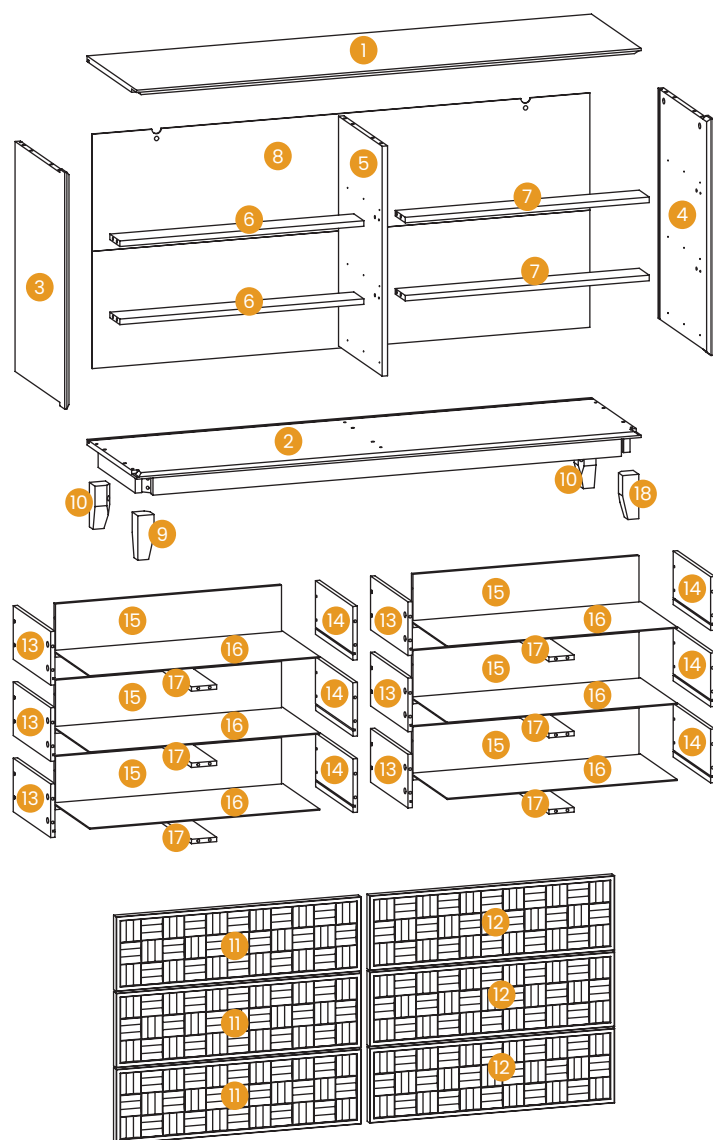


**STORAGE CABINET**

---

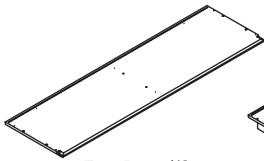
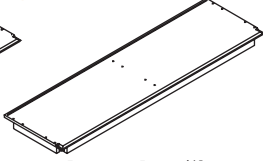
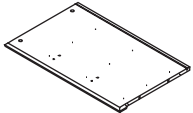
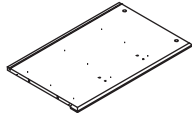
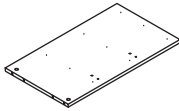
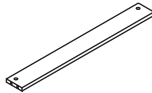
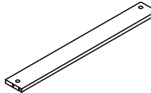
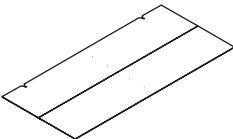
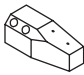
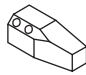
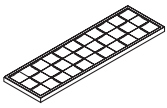
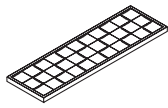
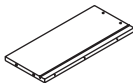
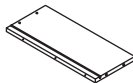
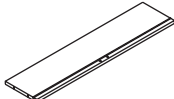
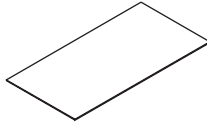
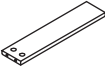
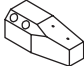
**TECHNICAL EXPLODED VIEW DIAGRAM**

WEIGHT CAPACITY FOR PRODUCT:300LBS



**PANEL COMPONENTS INVENTORY**

PLEASE MAKE SURE ALL THE PARTS ARE INCLUDED.

- |  |   |  |  |
|--|---|--|--|
| 1<br><br>Top Panel*1                        | 2<br><br>Bottom Panel*1                  | 3<br><br>Left Vertical Panel*1            | 4<br><br>Right Vertical Panel*1   |
| 5<br><br>Intermediate Vertical Panel*1      | 6<br><br>Left Center Reinforcement Bar*2 | 7<br><br>Right Center Reinforcement Bar*2 | 8<br><br>Back Panel*1             |
| 9<br><br>Left Front Cabinet Leg*1           | 10<br><br>Rear Cabinet Legs*2            | 11<br><br>Left Drawer Front*3             | 12<br><br>Right Drawer Front*3    |
| 13<br><br>Drawer Left Side Panel*6        | 14<br><br>Drawer Right Side Panel*6    | 15<br><br>Drawer Back Panel*6           | 16<br><br>Drawer Bottom Plate*6 |
| 17<br><br>Drawer Base Reinforcement Bar*6 | 18<br><br>Right Front Cabinet Leg*1    |  |  |

**HARDWARE COMPONENTS INVENTORY**

PLEASE MAKE SURE ALL THE PARTS ARE INCLUDED.

A



Large Hidden Cam\*14(+2)

B



Cam Screw \*50(+5)

C



Wood Dowel  
ø8X30mm\*20(+3)

D



Flat Head Screw  
#6.5X1/2" \*75(+5)

E



Hex Head Screw  
M6X55MM \*8(+2)

F



Flat Washers\*8(+2)

G



Spring Washers\*8(+2)

H



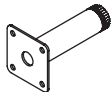
Flat Head Screw  
#10X1-1/2" \*42(+5)

I



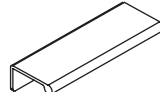
Pan Head Screw  
#10X1/2" \*10(+2)

J



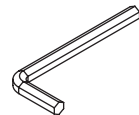
Support Foot\*1

K



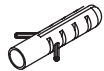
Pull\*6

L



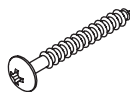
L-Wrench\*1

M



Expansion Wall Plug\*2

N



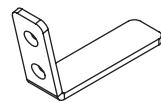
Pan Head Screw  
#10X1-1/2" \*2

O



Small Hidden Cam  
Black\*36(+5)

P

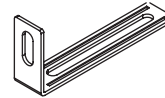


Iron Plate Foot Pad\*2

**HARDWARE COMPONENTS INVENTORY**

PLEASE MAKE SURE ALL THE PARTS ARE INCLUDED.

Q



Wall Brackets\*2

R



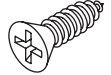
Back Connector\*8(+2)

S



Back Flat Head Screw  
#6\*5/8" \*8(+2)

T



Flat Head Screw  
#10X9/16" \*4(+1)

U



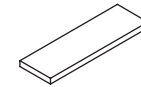
Flat Head Screw  
#8X1/2" \*9(+2)

V



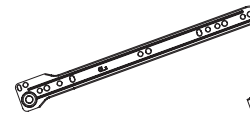
Felt Disc\*2

W



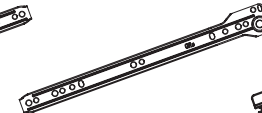
Rectangle Felt Disc\*2

CL



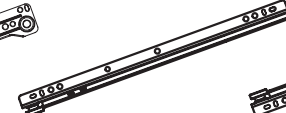
Cabinet Left \*6

CR



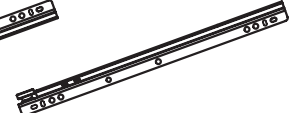
Cabinet Right\*6

DR



Drawer Right\*6

DL



Drawer Left \*6

BEFORE YOU GET STARTED, A FEW POINTERS:



Having a friend to help makes assembly extra-easy



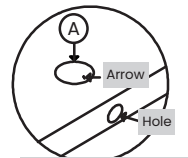
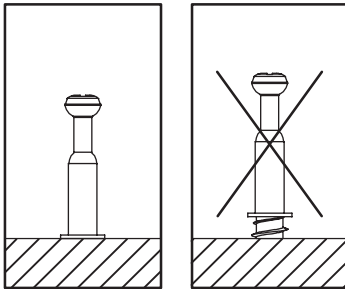
Mind the important safety information

**ASSEMBLY INSTRUCTIONS**

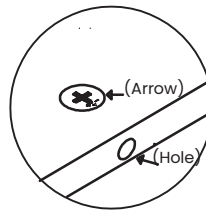
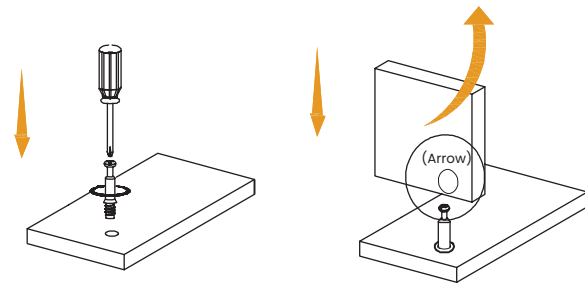
**Important:**

1. Before assembly, arrange all panel components and hardware fittings in sequential order and verify quantity counts.
2. If WOOD DOWEL joints exhibit loose fit, apply wood adhesive (customer-supplied) to enhance fastener bond strength.
3. Please install HIDDEN CAM and CAM SCREW according to the installation method shown in the diagram below.

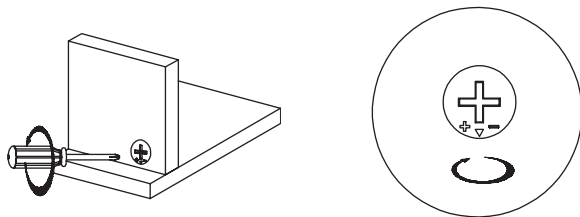
Torsionally tighten CAM SCREW until threads are no longer visible



The arrow in the HIDDEN CAM must point toward the hole in the edge of the board.



The arrow in the HIDDEN CAM must point toward the hole in the edge of the board

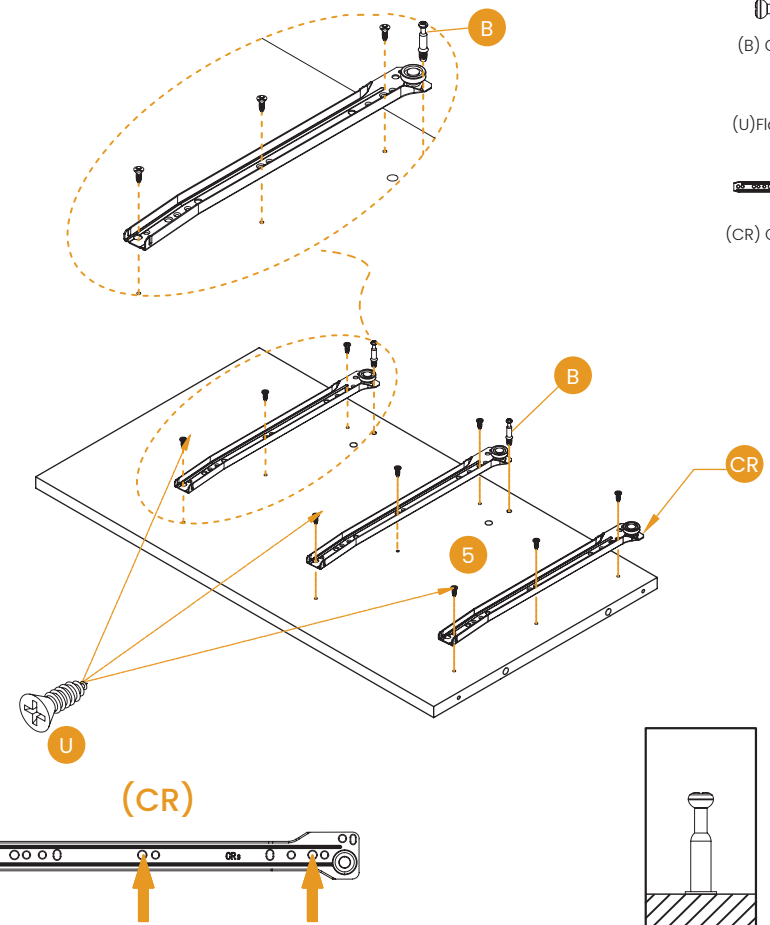


**ASSEMBLY INSTRUCTIONS**

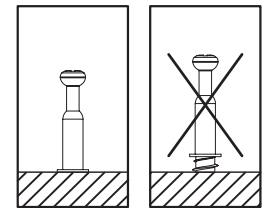
**STEP 1** Mount 3 CR slides onto Intermediate Vertical Panel (#5), then Screw in 2 CAM SCREWS.

**Notes:**

1. Use the surface of Panel 5 without cam lock holes.
2. Align the wheel end of CR slides with the banded edge of Panel 5. Match marked holes per diagram.
3. Avoid inserting CAM SCREWS into WOOD DOWEL holes.



- (B) Cam Screw #2
- (U) Flat Head Screw #8x1/2+9
- L=12"
- (CR) Cabinet Right\*3

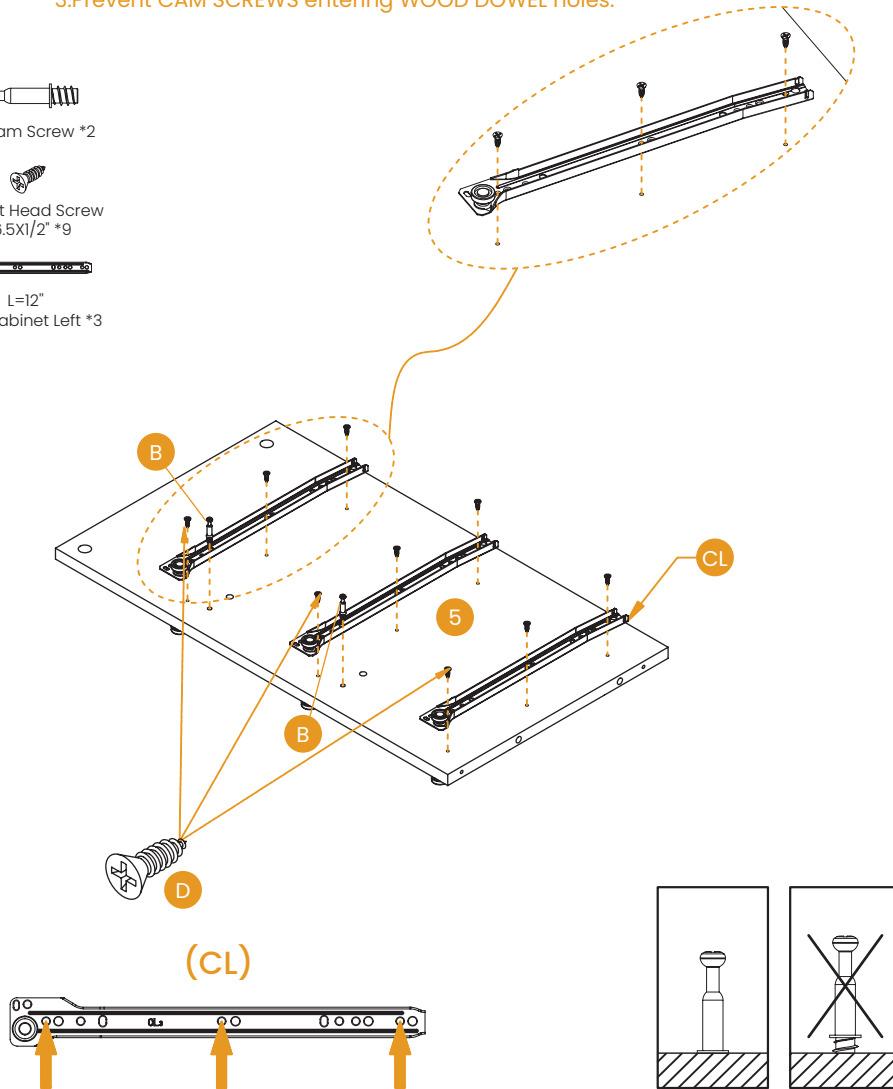
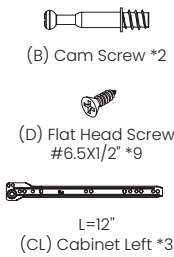


**ASSEMBLY INSTRUCTIONS**

**STEP 2** Install 3 CL slides onto Panel 5, then Screw in 2 CAM SCREWS.

Notes:

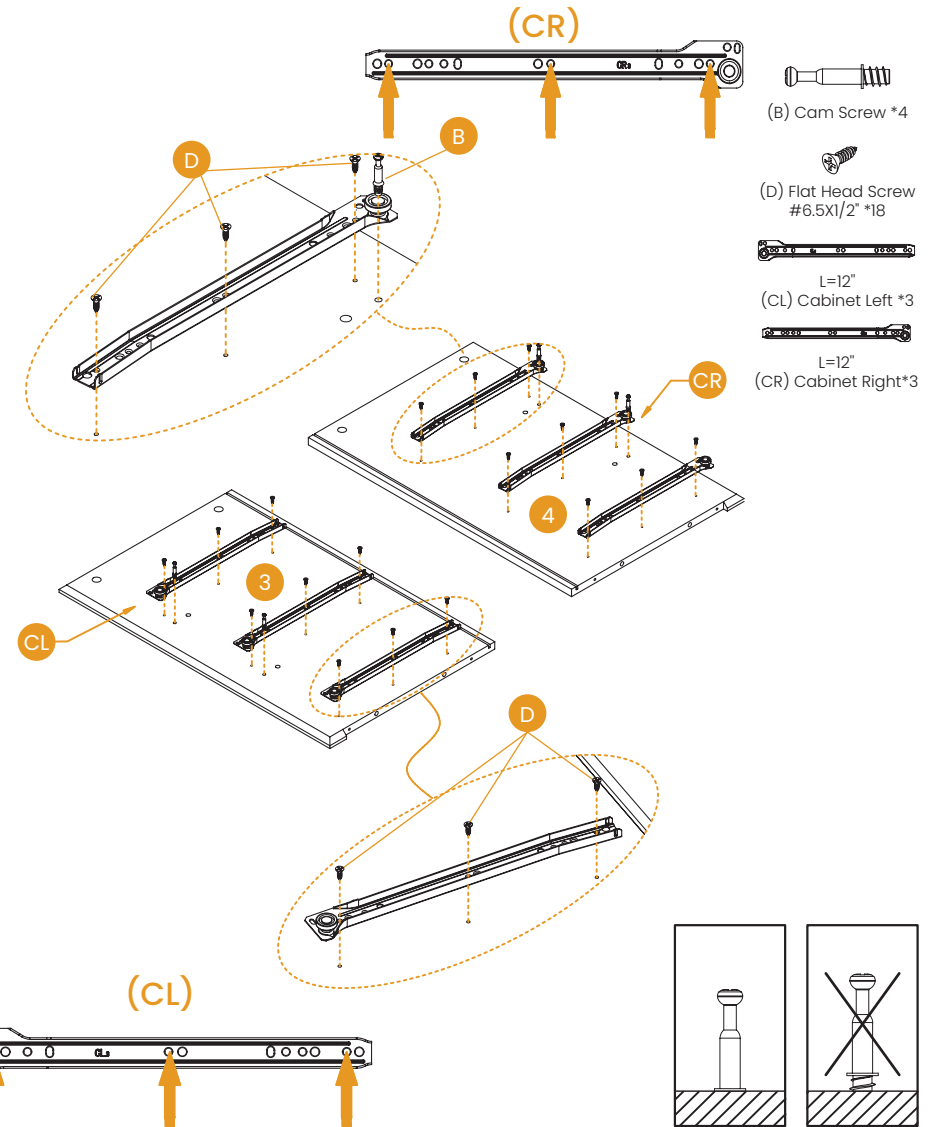
1. Use Panel 5's surface with 2 cam lock holes.
2. Orient CL slide wheel ends toward banded edge. Align holes per diagram.
3. Prevent CAM SCREWS entering WOOD DOWEL holes.



**ASSEMBLY INSTRUCTIONS**

**STEP 3** Mount 3 CL slides on Left Vertical Panel (#3) and 3 CR slides on Right Vertical Panel (#4). Each board is screwed into 2 CAM SCREWS.

Note: Align wheel ends with non-grooved edges. Match holes as shown.

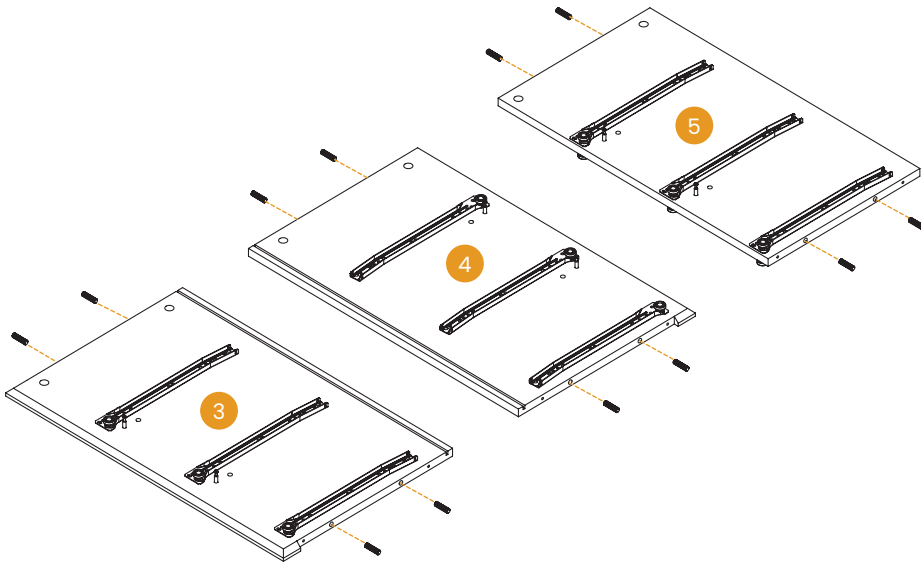


## ASSEMBLY INSTRUCTIONS

- STEP 4** Insert 2 WOOD DOWELS at both ends of Panels 3/4/5.  
 Note: Avoid CAM SCREW holes.



(C) Wood Dowel  
 ø8X30mm\*12

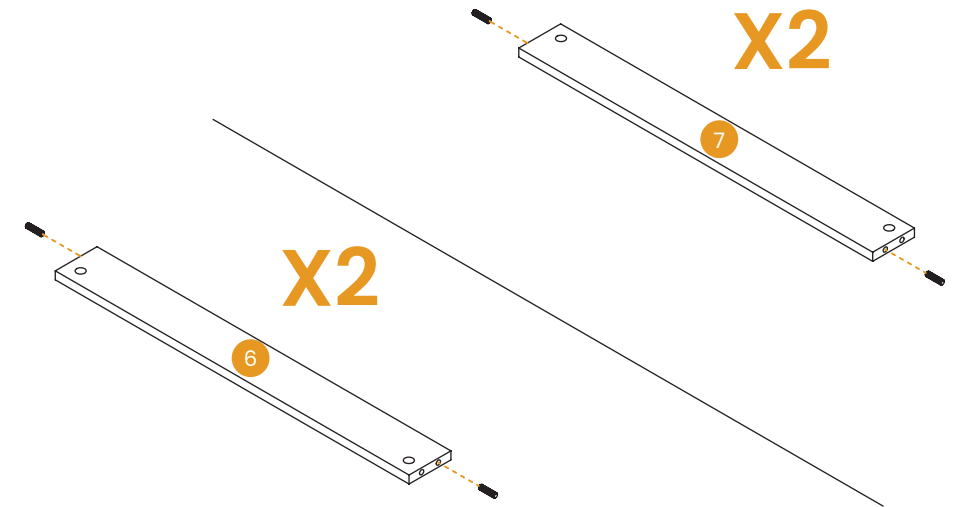


## ASSEMBLY INSTRUCTIONS

- STEP 5** Insert 2 WOOD DOWELS at both ends of Left Center Reinforcement Bar and Right Center Reinforcement Bar (#6&7).



(C) Wood Dowel  
 ø8X30mm\*8

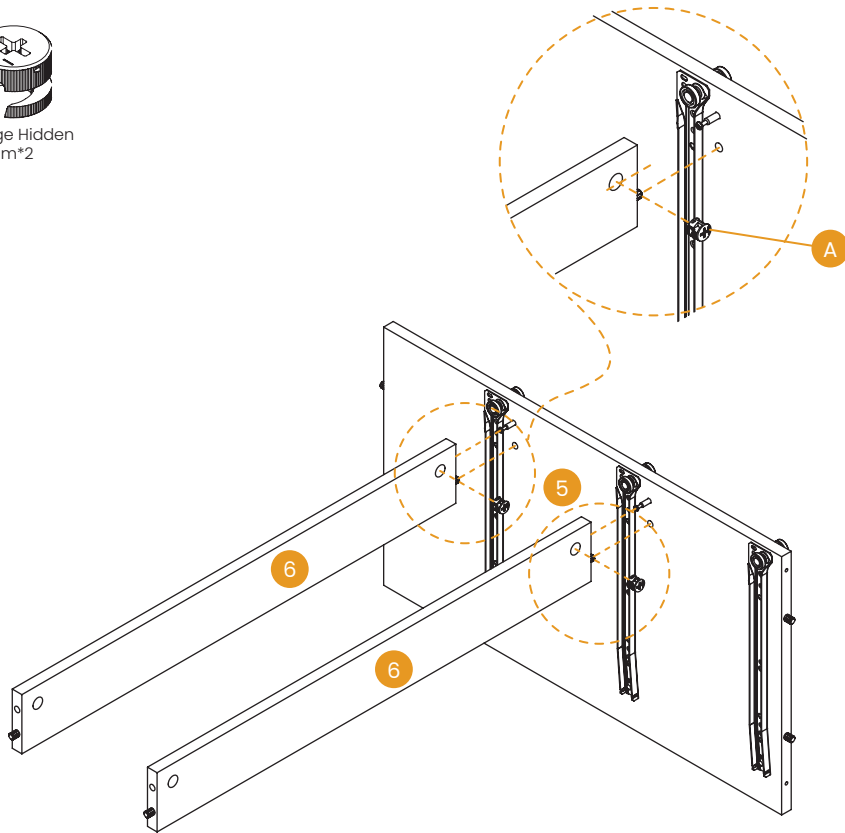
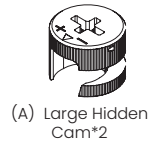


## ASSEMBLY INSTRUCTIONS

**STEP 6** Secure Panel 6 to the non-cam-hole side of Panel 5 using 2x Component A.

Notes:

1. Align unbonded long edges.
2. Panel 6's non-cam-hole side faces nearest drawer slide.

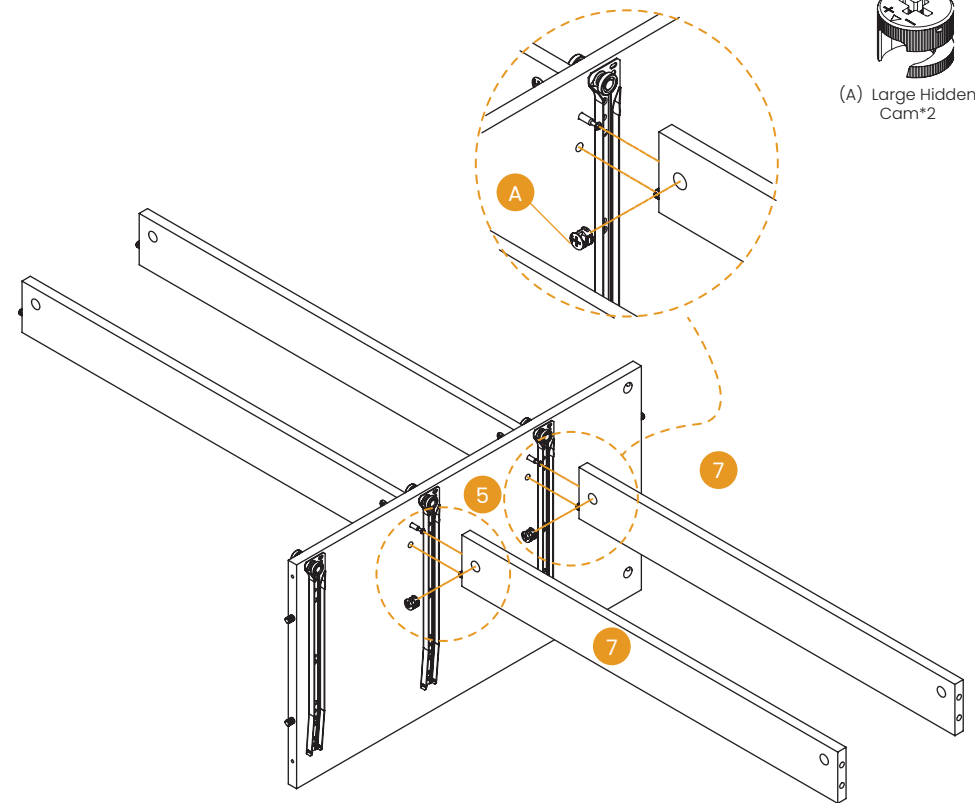


## ASSEMBLY INSTRUCTIONS

**STEP 7** Fix Panel 7 to Panel 5's cam-hole side with 2x Component A.

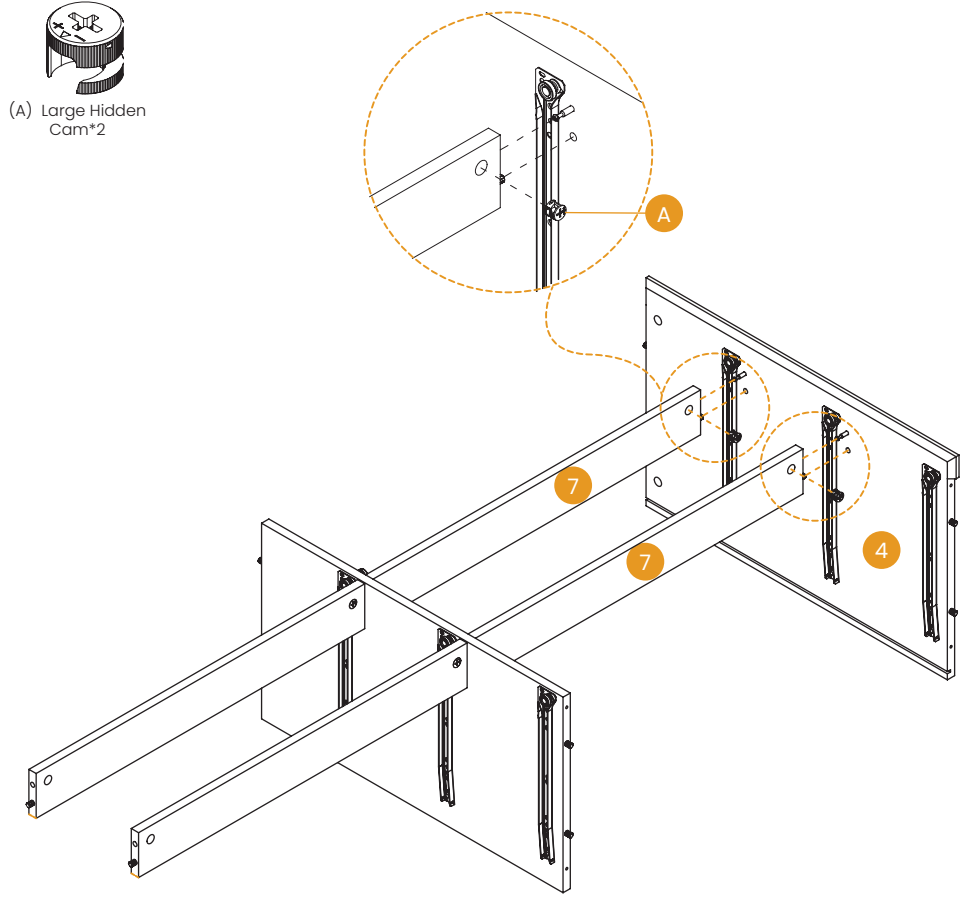
Notes:

1. Match unbonded long edges.
2. Panel 7's non-cam-hole side faces nearest drawer slide.



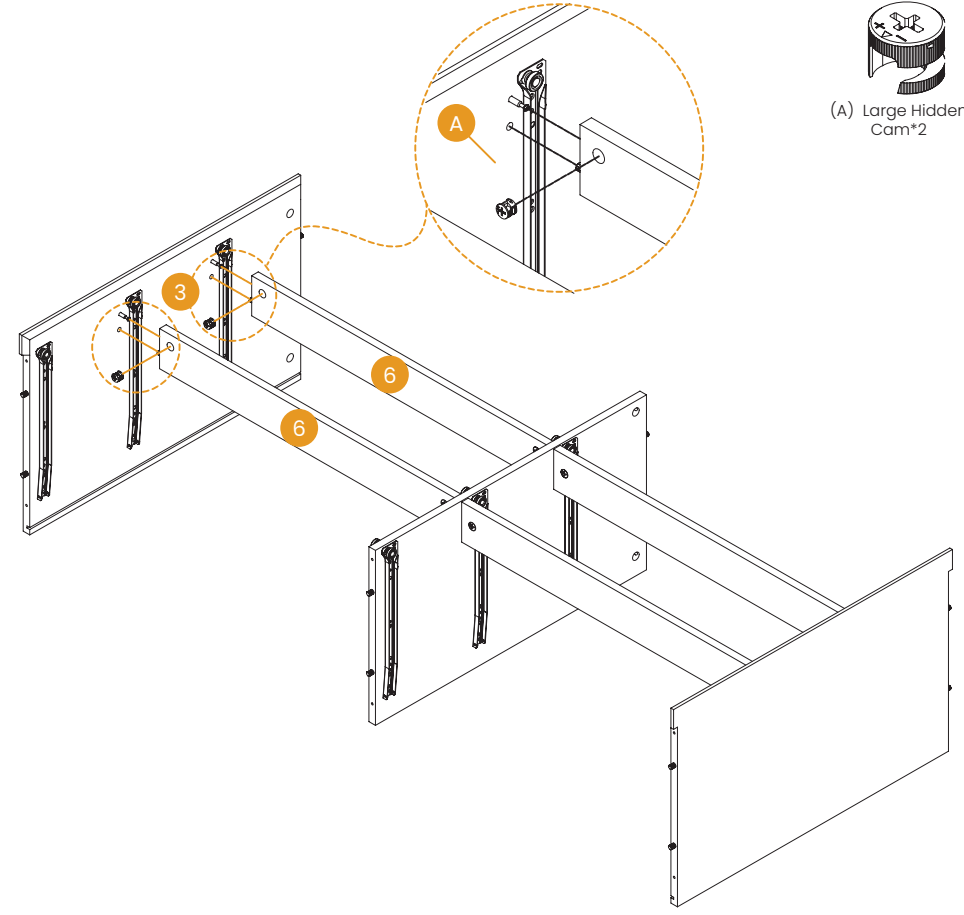
**ASSEMBLY INSTRUCTIONS**

**STEP 8** Connect Panel 7 to Panel 4 using 2x Component A.  
 Note: Align Panel 4's grooved edge with Panel 5's unbonded long edge.



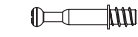
**ASSEMBLY INSTRUCTIONS**

**STEP 9** Attach Panel 6 to Panel 3 with 2x Component A.  
 Note: Grooved edges of Panels 3/4 must face same direction.



**ASSEMBLY INSTRUCTIONS**

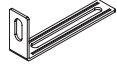
**STEP 10** Install 6 Fasteners B and mount 2 Brackets Q on Top Panel (#1).  
 Note: Secure the long side of bracket Q to Panel 1, aligning its vertex flush with the panel edge.



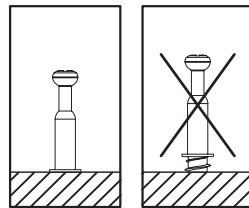
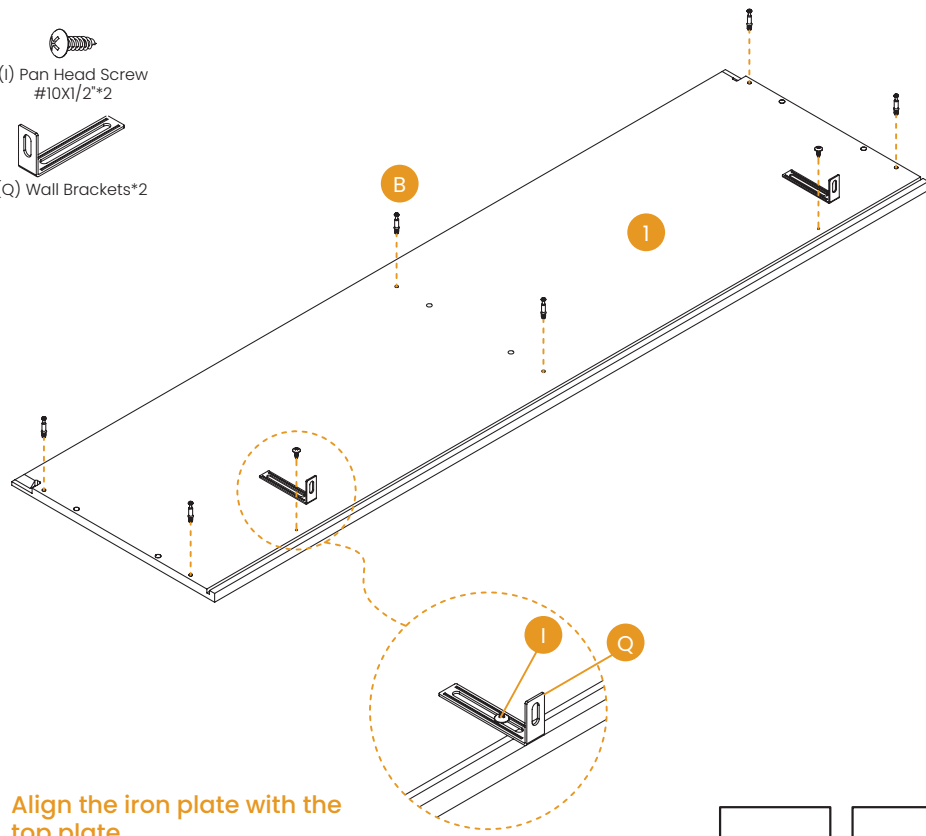
(B) Cam Screw \*6



(I) Pan Head Screw  
#10X1/2"\*2



(Q) Wall Brackets\*2

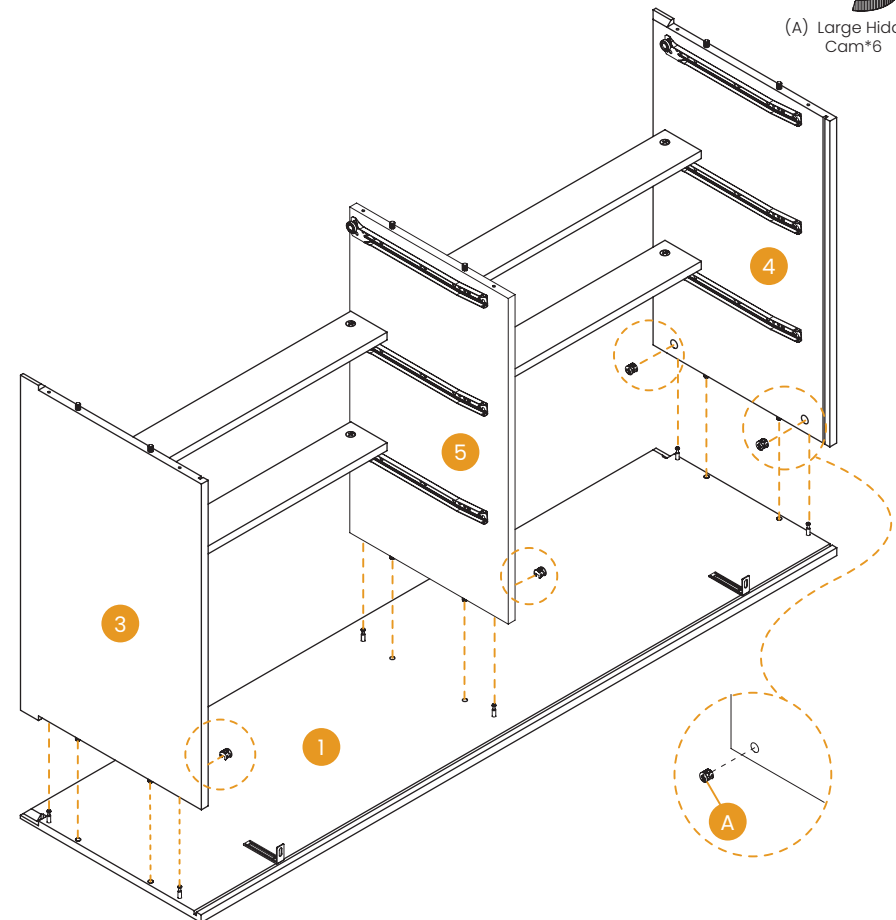


**ASSEMBLY INSTRUCTIONS**

**STEP 11** Mount assembly (Panels 3-4-5) to Panel 1 with 6 Fasteners A.  
 Note: Triple-channel alignment (Panels 1/3/4 groove unification).



(A) Large Hidden  
Cam\*6

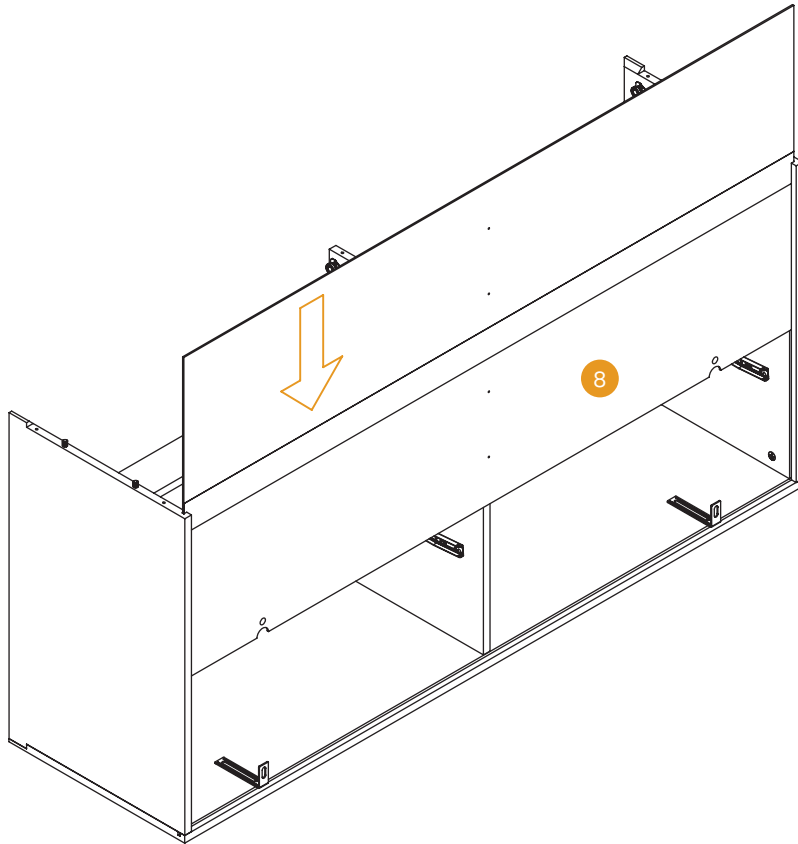


## ASSEMBLY INSTRUCTIONS

**STEP 12** Unfold Back Panel (#8) and insert into groove.

Notes:

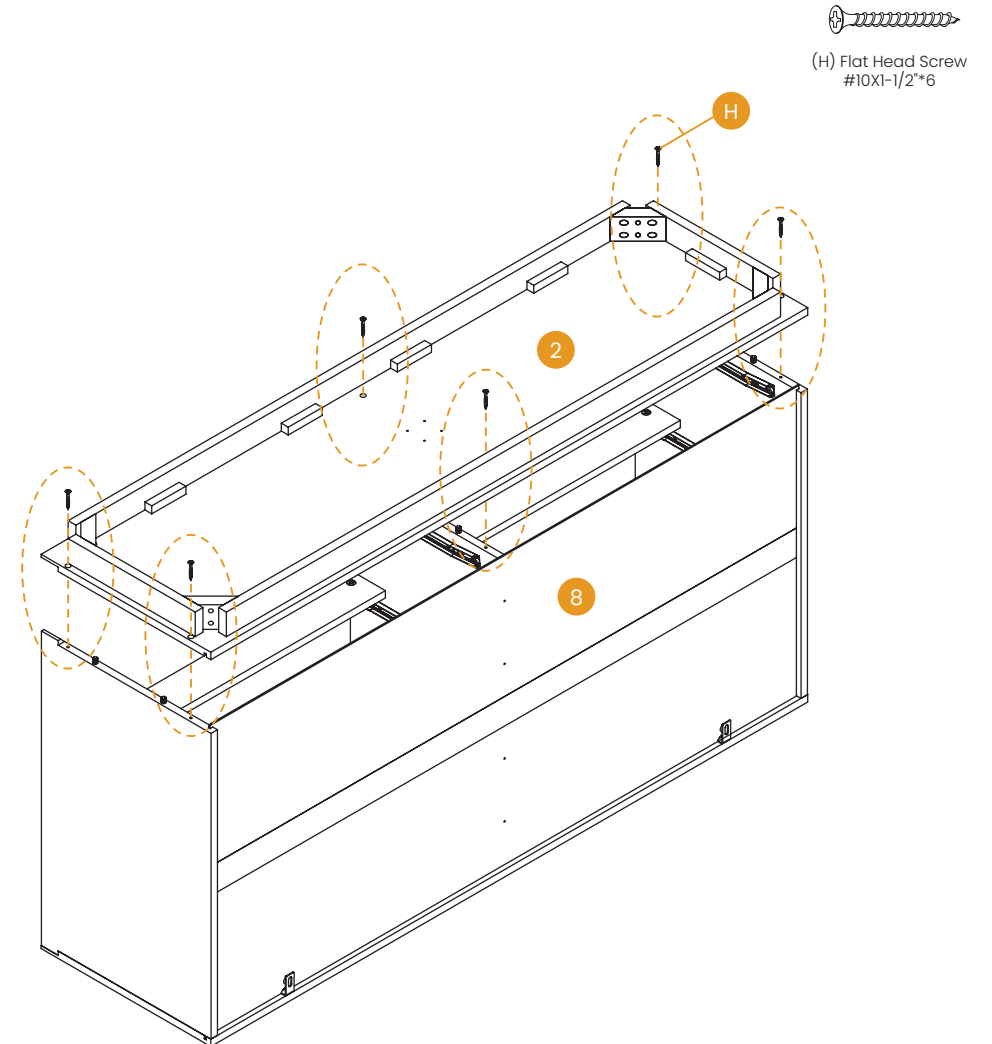
1. Adhesive side faces outward.
2. Grooved edge orients toward Panel 1.



## ASSEMBLY INSTRUCTIONS

**STEP 13** Secure Bottom Panel (#2) assembly with 6 self-tapping screws.

Mechanical Interface: Panel #2's channel must interlock with Panel #8.

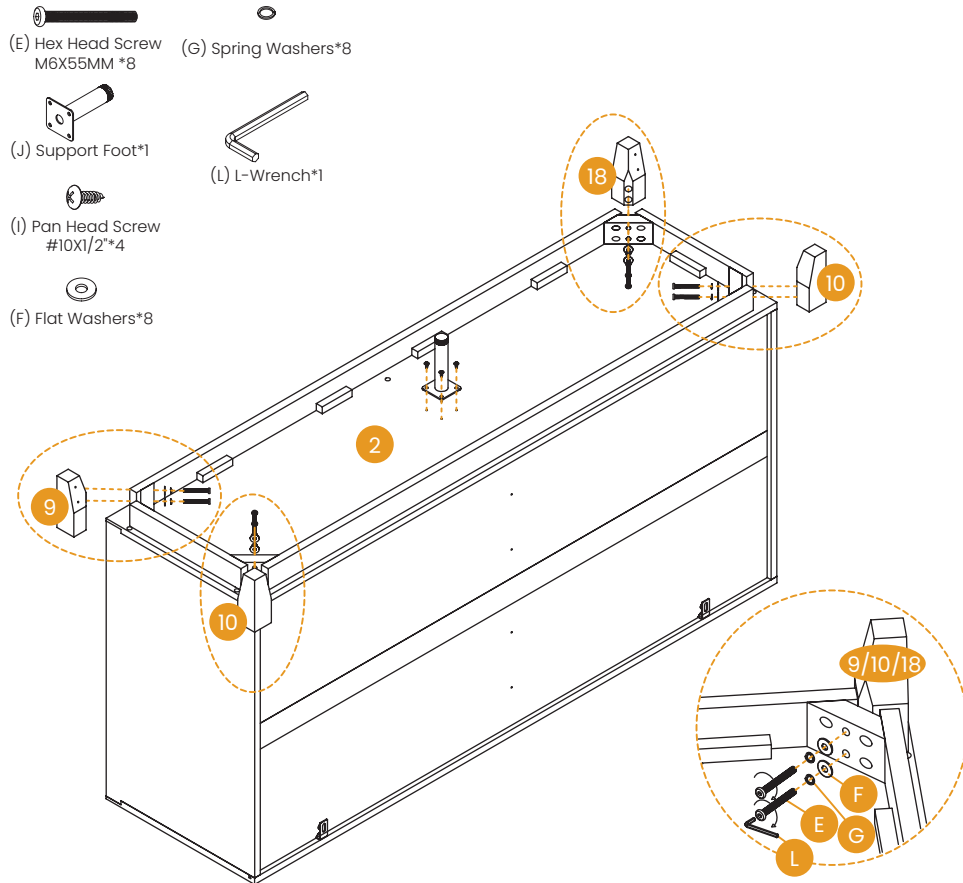


**ASSEMBLY INSTRUCTIONS**

**STEP 14** Install SUPPORT FOOT & 4 cabinet legs.

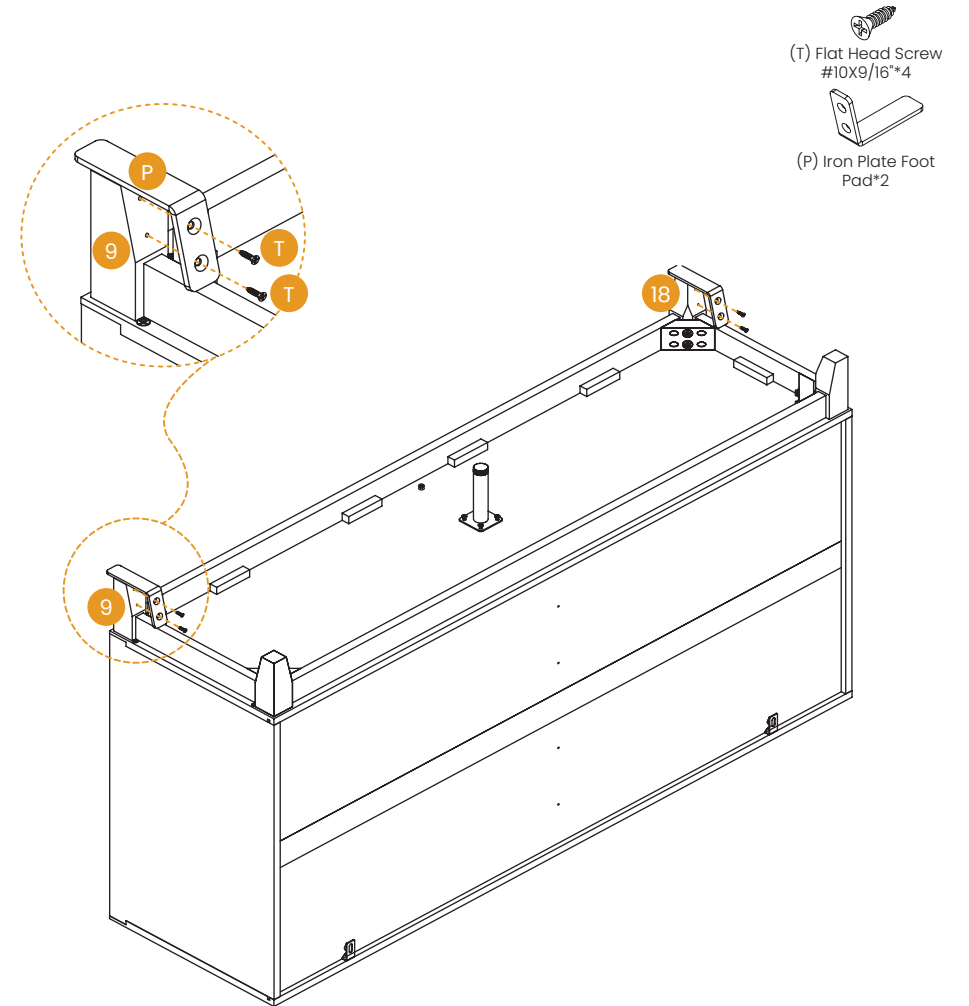
Notes:

1. Height modulation via SUPPORT FOOT screws
2. Leg-cabinet positional correspondence per diagram.



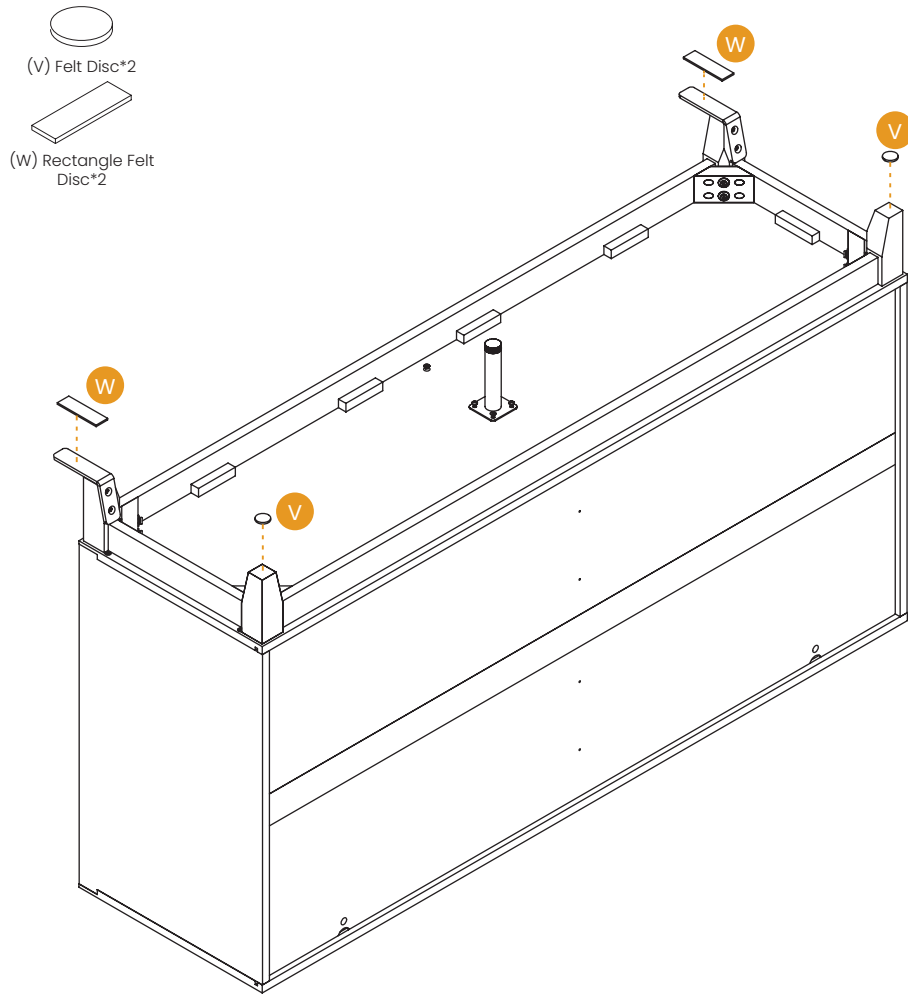
**ASSEMBLY INSTRUCTIONS**

**STEP 15** Attach IRON PLATE FOOT PADS to Legs #9/18.



**ASSEMBLY INSTRUCTIONS**

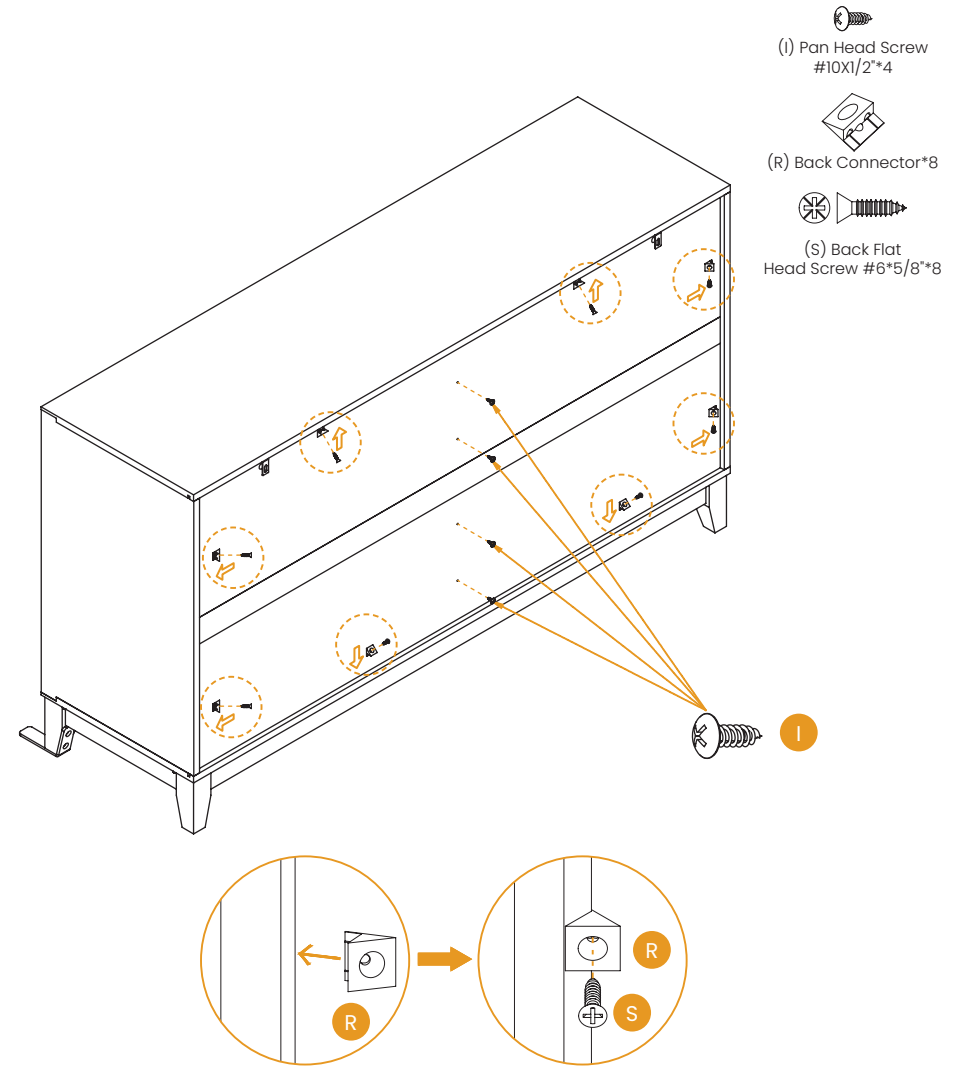
**STEP 16** Apply FELT DISCS to leg/footpad bases.



**ASSEMBLY INSTRUCTIONS**

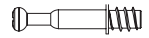
**STEP 17** Install BACK CONNECTOR assembly.

Note: Proper insertion into back panel void space

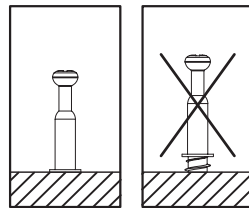
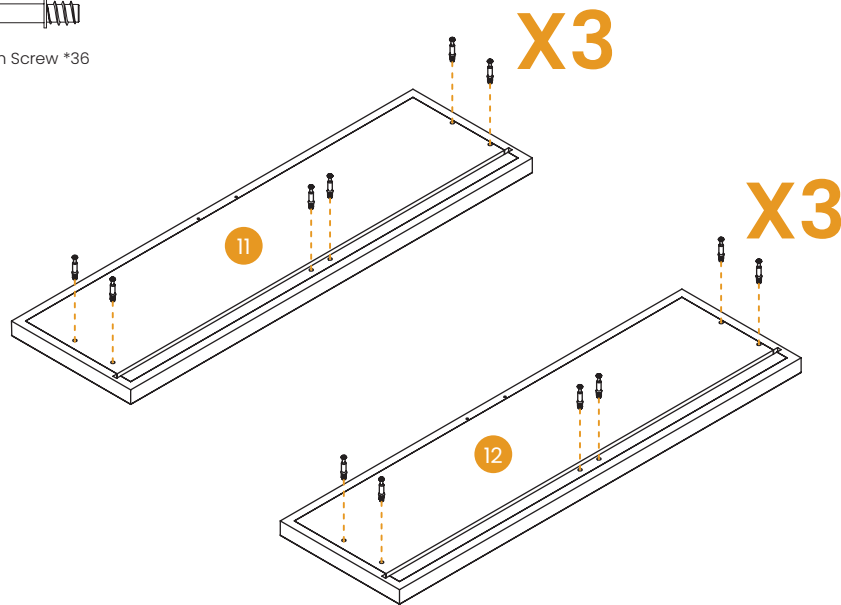


**ASSEMBLY INSTRUCTIONS**

**STEP 18** Secure 6 CAM SCREWS on reverse sides of Left Drawer Front Panels and Right Drawer Front Panels (#11/12).



(B) Cam Screw \*36

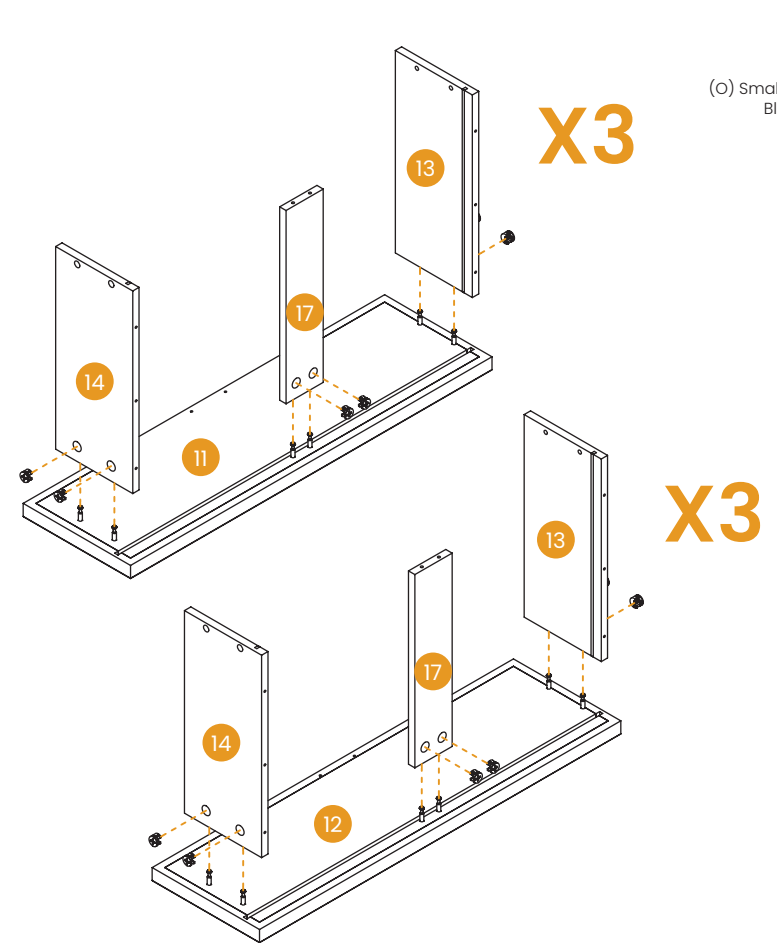


**ASSEMBLY INSTRUCTIONS**

**STEP 19** Assemble Drawer Left Side Panel, Drawer Right Side Panel and Drawer Base Reinforcement Bar (#13/14/17) to #11/12 using 6x Black SMALL HIDDEN CAMS.

Notes:

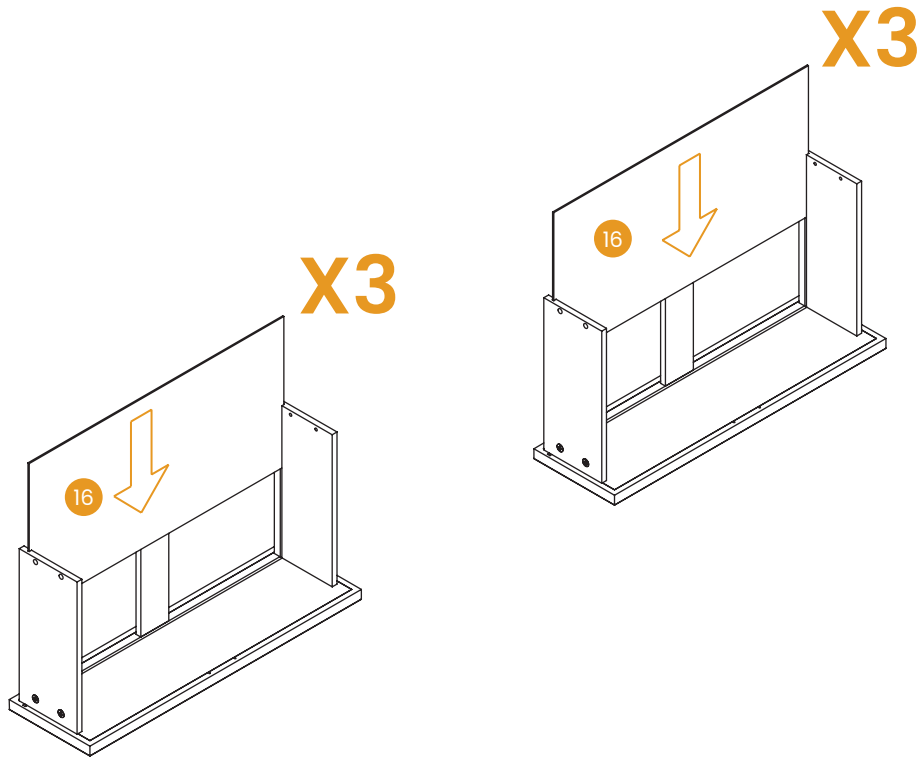
1. Align channels on Panels 11/12 with 13/14.
2. Cam-hole sides of Panels 13/14/17 face outward.



(O) Small Hidden Cam Black\*36

**ASSEMBLY INSTRUCTIONS**

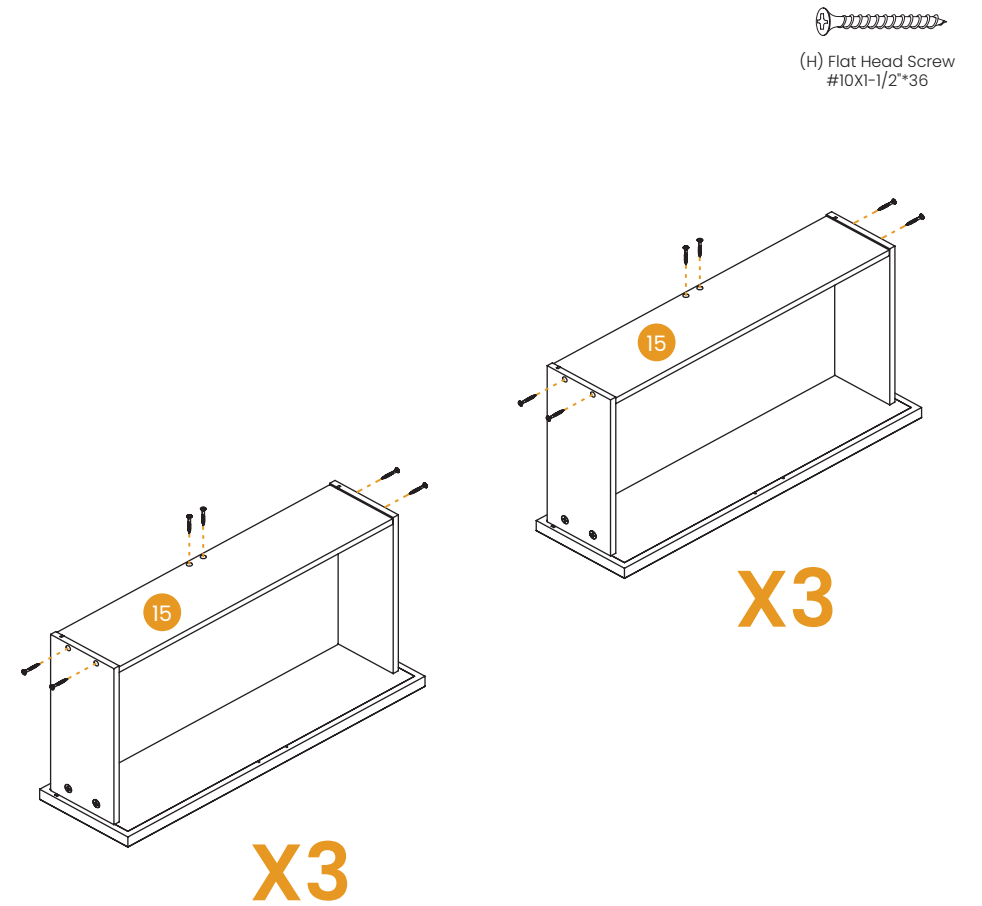
**STEP 20** Insert Drawer Bottom Plate (#16) into channel.



**ASSEMBLY INSTRUCTIONS**

**STEP 21** Install Drawer Back (Panel #15).

Note: Panel 15's groove must secure Panel #16.




**ASSEMBLY INSTRUCTIONS**

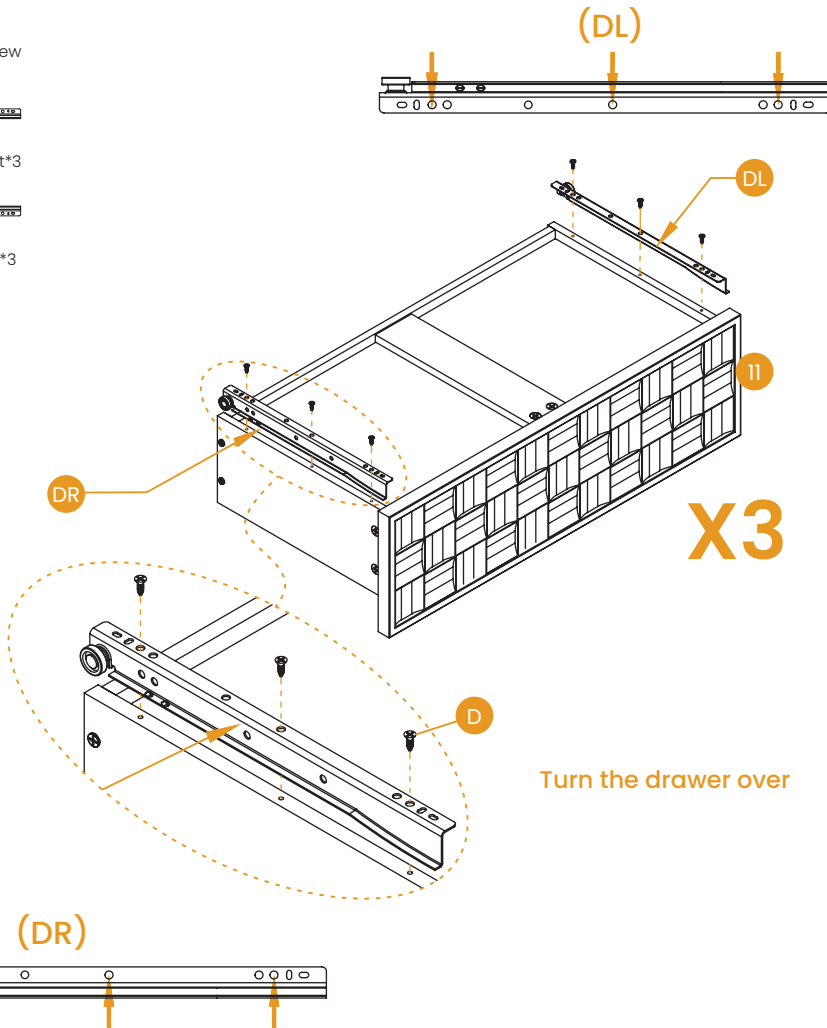
**STEP 22** Invert Drawers 11; install rails DL/DR.

Note: Roller ends → Panell5 with hole alignment.

 (D) Flat Head Screw  
#6.5X1/2" \*18

 L=12"  
(DR) Drawer Right\*3

 L=12"  
(DL) Drawer Left \*3




**X3**

Turn the drawer over


**ASSEMBLY INSTRUCTIONS**

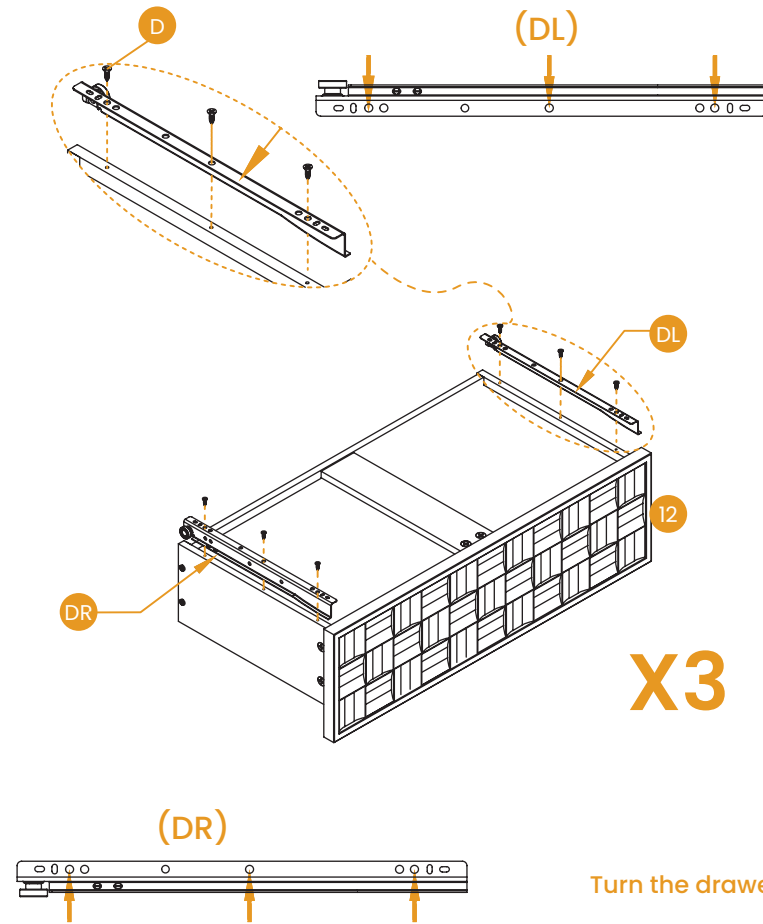
**STEP 23** Invert Drawers 12; install rails DL/DR.

Note: Roller ends → Panell5 with hole alignment.

 (D) Flat Head Screw  
#6.5X1/2" \*18

 L=12"  
(DR) Drawer Right\*3

 L=12"  
(DL) Drawer Left \*3

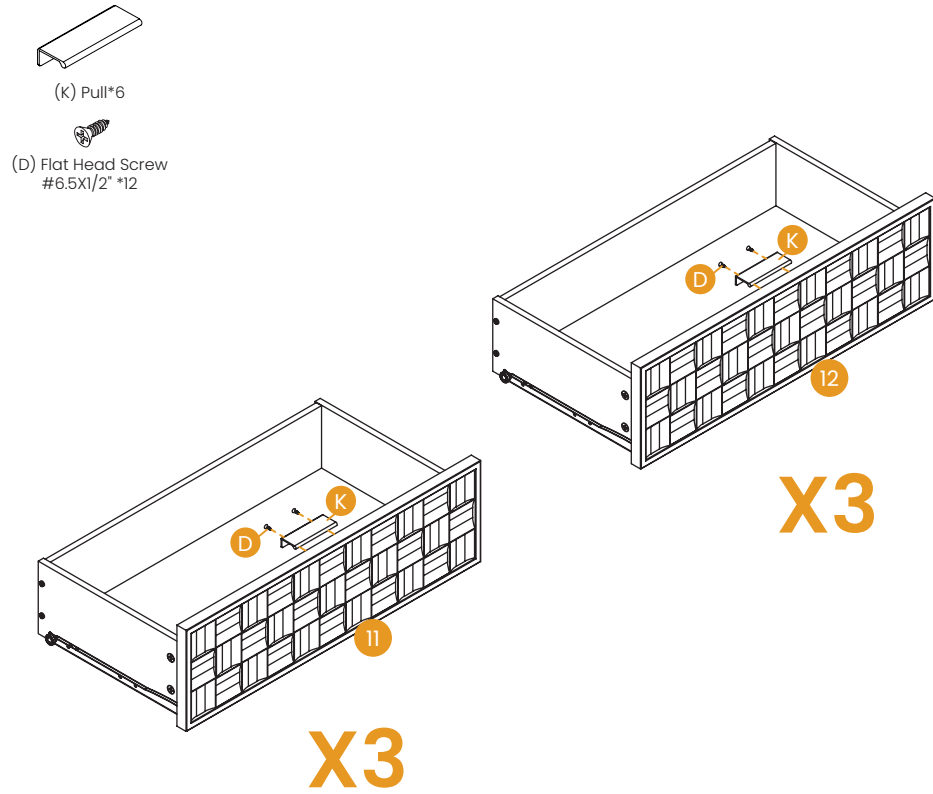


**X3**

Turn the drawer over

**ASSEMBLY INSTRUCTIONS**

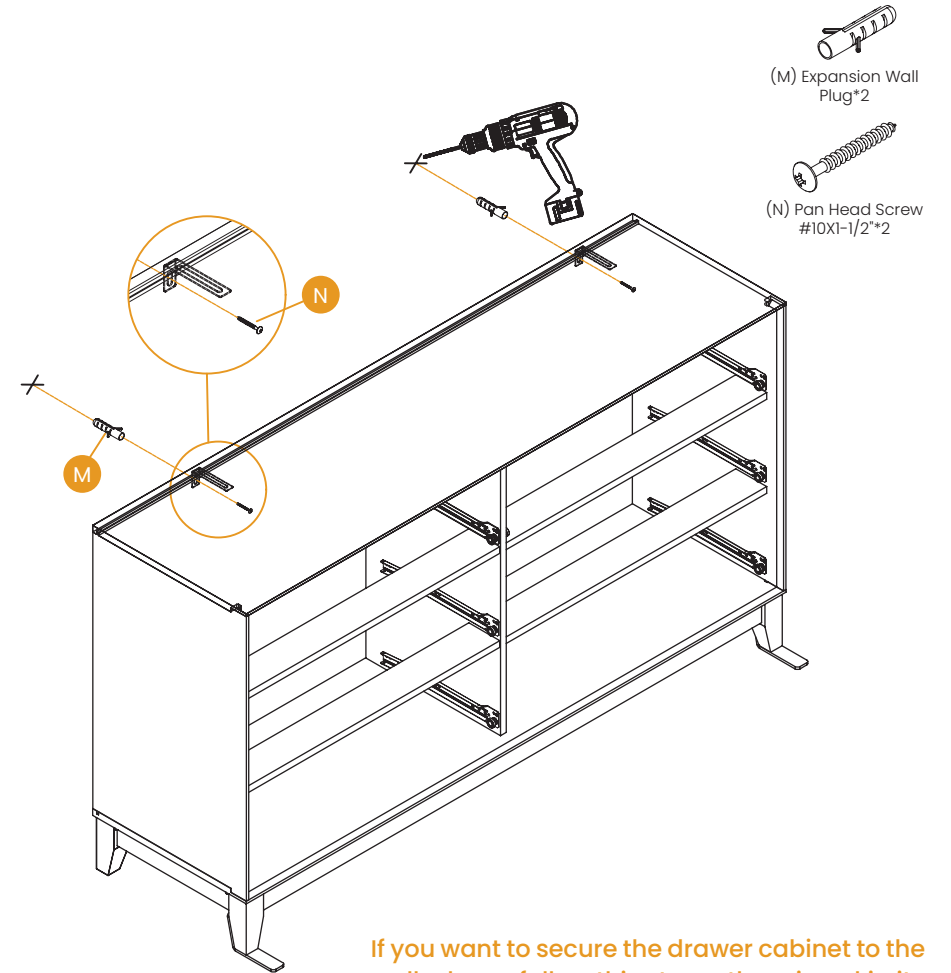
**STEP 24** Install drawer pulls.



**ASSEMBLY INSTRUCTIONS**

**STEP 25** Anchor cabinet to wall.

Note: The cabinet now has basic anti-tip stability. For enhanced protection against tipping, anchor the unit to the wall using appropriate hardware.

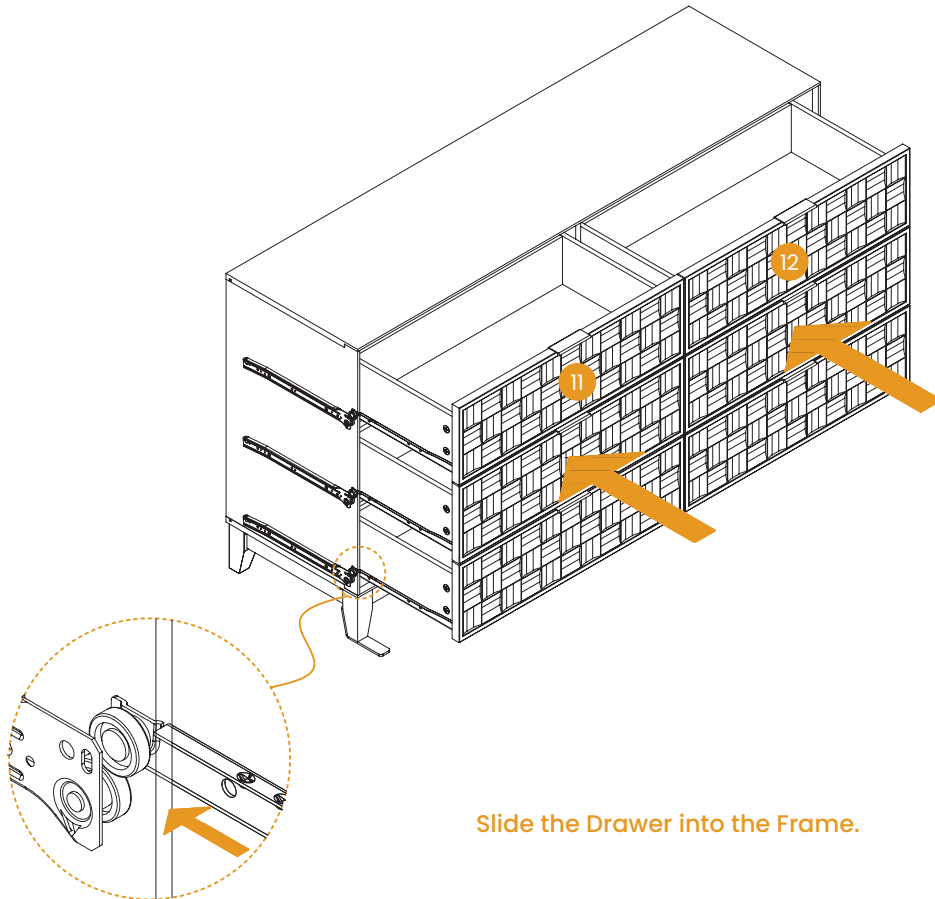


## ASSEMBLY INSTRUCTIONS

**STEP 26** Install 6 drawers.

**Notes:**

1. Engage DL/DR slides horizontally with CL/CR slides.
2. Panel 11 drawers left side, Panel 12 drawers right side.



Slide the Drawer into the Frame.

## LIMITED WARRANTY

COLAMY promises to repair or replace any COLAMY product that is found to be defective in material or workmanship within one year from the date of original purchase, as long as you, the original purchaser, still own it. This is your sole and exclusive remedy under this warranty, subject to the provisions outlined below.

## EXCLUSIONS

This warranty does not apply to, and no other warranty applies to:

- Normal wear and tear, which is to be expected over the course of ownership.
- Misuse, abuse, or excessive use of the product.
- Modifications or attachments to the product that are not approved by COLAMY.
- Products that were not installed, used, or maintained in accordance with the product instructions and warnings.
- Products used for rental purposes or unauthorized retail activities.

## RETURN POLICY

We offer a 30-day return policy, meaning that all products purchased through this website may be returned to us within that timeframe. You must contact us within 30 days of receiving the product(s), and they must be returned to us without any undue delays.

## CONDITIONS:

- Returned products must be in the same condition as received and returned in their original packaging.
- If the product is not faulty (i.e., if you change your mind or are unhappy with the product for another reason), you are responsible for the cost of return shipping. You must ensure the package arrives safely to us, so we recommend using a courier service that offers tracking.
- If the product is faulty when received, please contact us, and we will assist you with the return, covering the shipping costs in this case.

## LIMITED WARRANTY

- We reserve the right to offer partial refunds for returned products that are not in unused condition, are damaged, or have missing parts not due to our error.

## HOW RETURNS WORK

To request a return, please fill out the contact form on our website and attach a copy of your invoice as proof of purchase, along with the reason for the return.

We will provide the return address for the product as soon as possible. Once the returned product is received and inspected, we will provide a specific resolution.

If the return is approved, the refund amount will be automatically credited to your original payment method.

## MAINTENANCE INSTRUCTIONS



Dust and clean up spills immediately using a clean, non-colored, lint-free cloth.



For indoor use only. Do not place the furniture outside.



Do not place hot items directly on the furniture surface without using a protective barrier.



Do not place furniture near heating or cooling vents (keep at least 3 feet away)



Do not place furniture in direct sunlight.