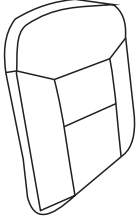
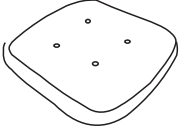
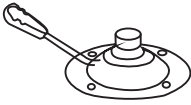







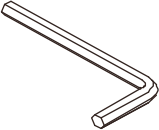
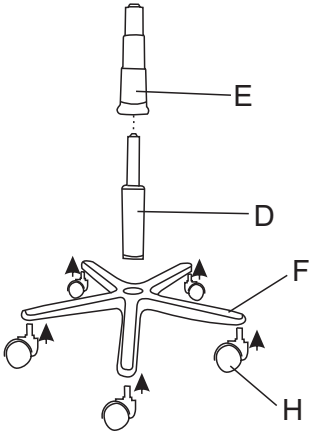
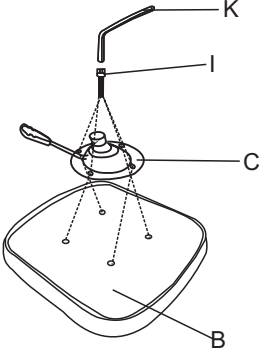
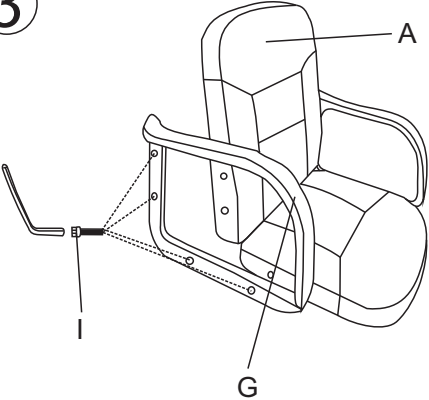
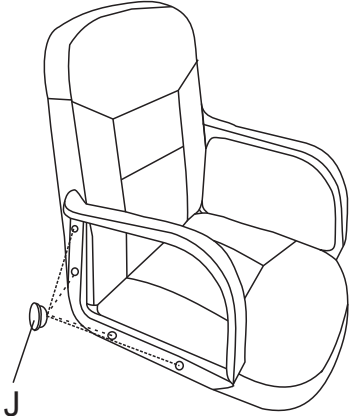
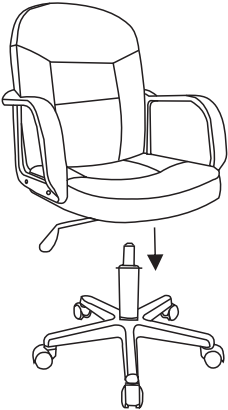


ASSEMBLING INSTRUCTION

Ax1 	Bx1 	Cx1 	Dx1 	Ex1 	
Fx1 	Gx1set 	Hx5 	Ix12 	Jx8 	Kx1 
1 			2 		
3 			4 		
5 			6 