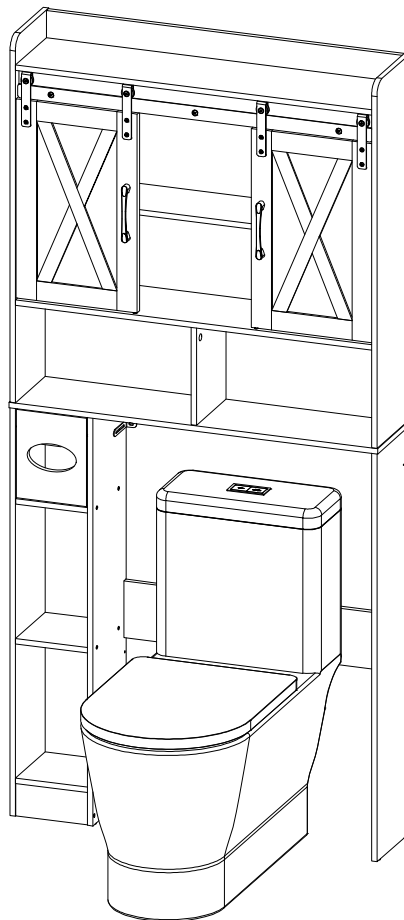


---

## J3M014

Before installation, please confirm that the cabinet is installed on the left or right side of the toilet. As shown in the figure below, the cabinet is installed on the right side of the toilet. If you need to install it on the left side, please refer to the instructions on the opposite side.

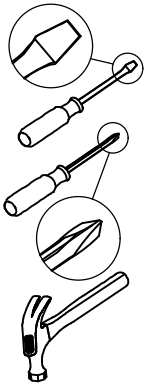


As this item contains many parts, please read the installation instruction carefully before installation . Please use tools properly and carefully. If you have any questions about the product and installation, please contact us.

**[hosoteservice@gmail.com](mailto:hosoteservice@gmail.com)**

Our professional after-sales team will serve you online all day.

# Before You Start



- ✓ Read through each step carefully and follow the proper order
- ✓ Separate and count all your parts and hardware
- ✓ Give yourself enough room for the assembly process
- ✓ Have the following tools: Flat Head Screwdriver, #2 Phillips Head Screwdriver and Hammer
- ✓ Caution: If using a power drill or power screwdriver for screwing, please be aware of to slow down and stop when screw is tight. Failure to do so may result in stripping the screw. (Assembly speed can be increased by using electric screwdriver)

# Helpful Hints

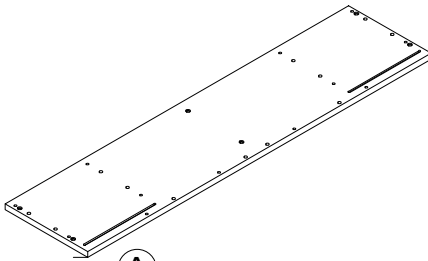
## PEOPLE NEEDED FOR ASSEMBLY: 1-2

- Open your item in the area you plan to keep it to avoid excessive heavy lifting.
- Identify, sort and count the parts before attempting assembly.
- Compression dowels are lightly tapped in with a hammer.
- Slides are labeled with an **R** (right) and **L** (left) for proper placement.
- Make sure to always face the point on the top of the Cam Lock towards the outer edge.
- If there is a back panel in the package, please install it to make sure your unit is complete and sturdy.
- Please fix all the screws provided for the back panel which can enhance product stability. If it is difficult to fix it when tightening, it can be fixed with the help of a hammer and then tightened.
- Do NOT use harsh chemicals or abrasive cleaners on this item.
- Never push, pull, or drag your furniture.



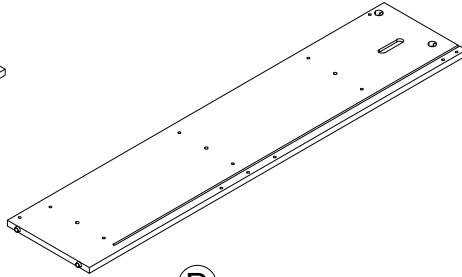
# Board Identification

Not actual size



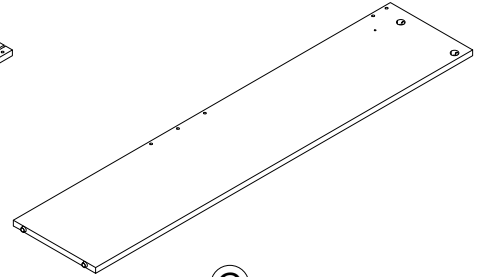
(A)

MIDDLE PANEL  
Qty:1



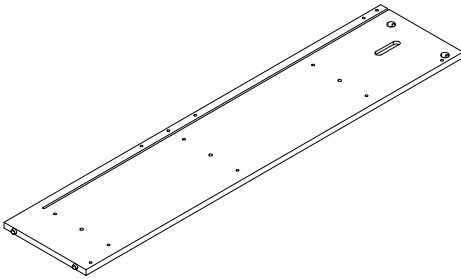
(B)

LOWER LEFT SIDE PANEL  
Qty:1



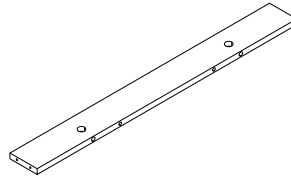
(C)

LOWER RIGHT SIDE PANEL  
Qty:1



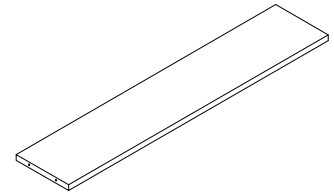
(D)

LOWER PARTITION  
Qty:1



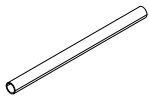
(E)

RAIL  
Qty:1



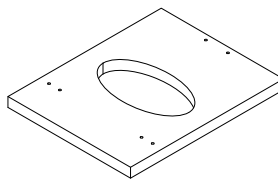
(F)

REAR TRANSVERSE PANEL  
Qty:1



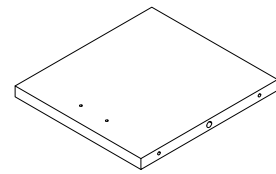
(G)

TUBE  
Qty:1



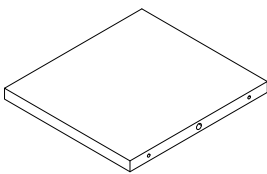
(H)

FLAP  
Qty:1



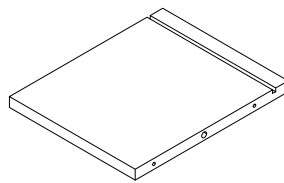
(I)

FIXED SHELF  
Qty:1



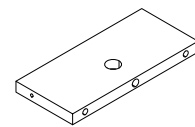
(J)

FIXED SHELF  
Qty:1



(K)

BOTTOM  
Qty:1

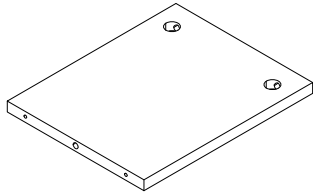


(L)

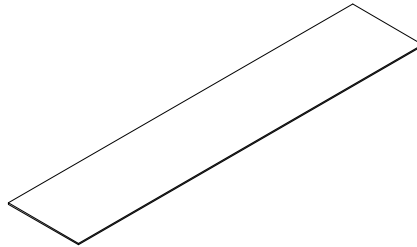
RAIL  
Qty:1

# Board Identification

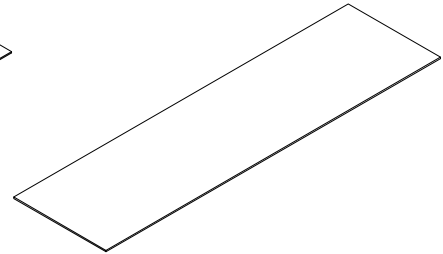
Not actual size



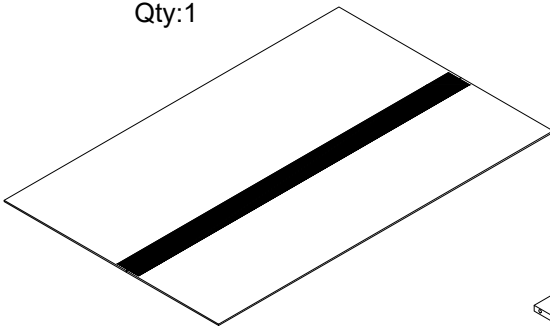
**(M)**  
UPPER PARTITION  
Qty:1



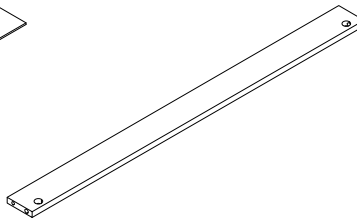
**(N)**  
LOWER BACK PANEL  
Qty:1



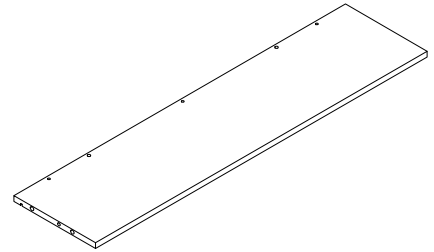
**(O)**  
MIDDLE BACK PANEL  
Qty:1



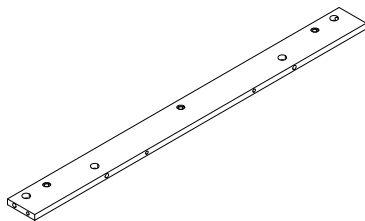
**(P)**  
UPPER BACK PANEL  
Qty:1



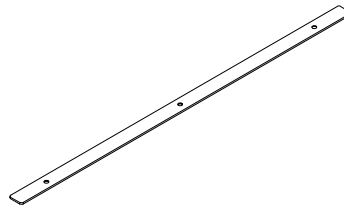
**(Q)**  
RAIL  
Qty:1



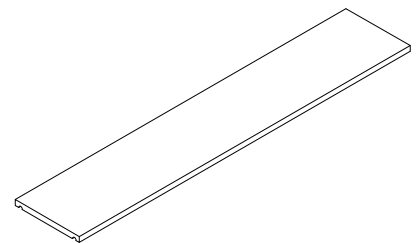
**(R)**  
TOP  
Qty:1



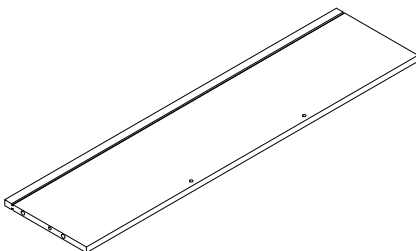
**(S)**  
RAIL  
Qty:1



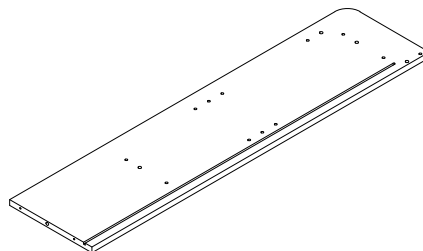
**(T)**  
TRACK  
Qty:1



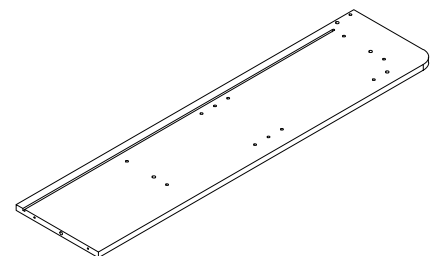
**(U)**  
ADJUSTABLE SHELF  
Qty:1



**(V)**  
FIXED SHELF  
Qty:1



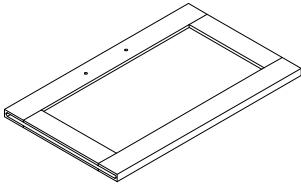
**(W)**  
UPPER LEFT SIDE PANEL  
Qty:1



**(X)**  
UPPER RIGHT SIDE PANEL  
Qty:1

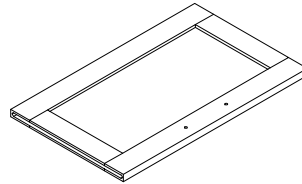
# Board Identification

Not actual size



Y

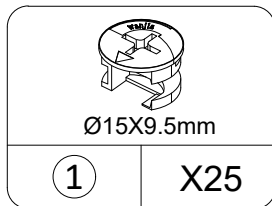
LEFT SLIDING DOOR  
Qty:1



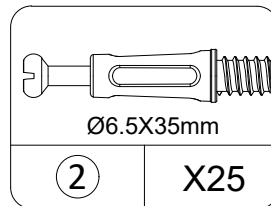
Z

RIGHT SLIDING DOOR  
Qty:1

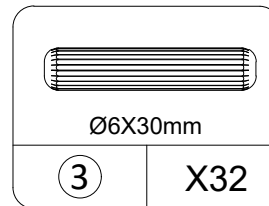
## Part List



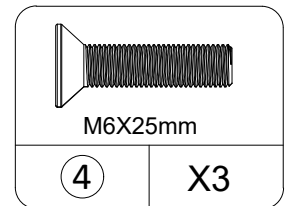
CAM LOCK  
spare:3



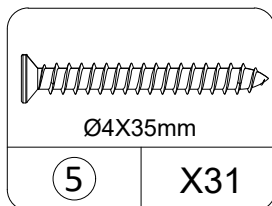
CAM BOLT  
spare:3



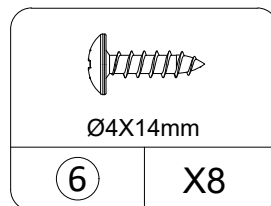
WOODEN DOWEL  
spare:3



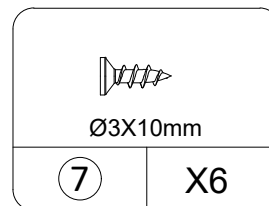
BOLT  
spare:1



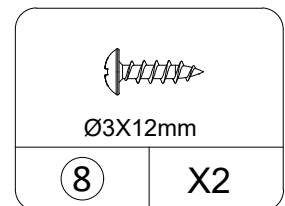
SCREW  
spare:3



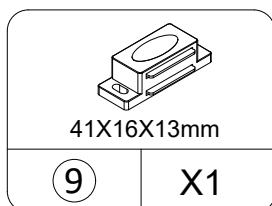
SCREW  
spare:1



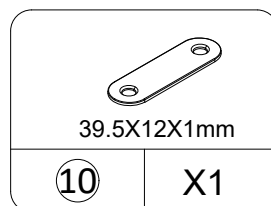
SCREW  
spare:1



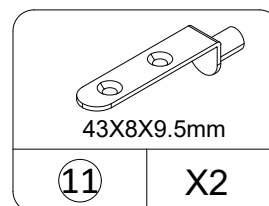
SCREW  
spare:1



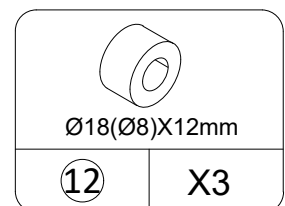
MAGNETIC CATCHER



METAL PLATE

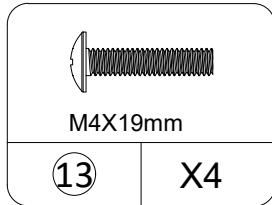


DOOR PIVOT

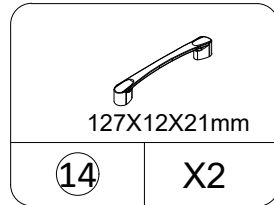


RUBBER RING

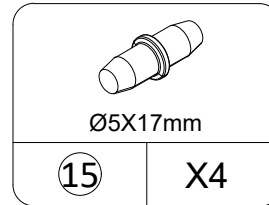
# Part List



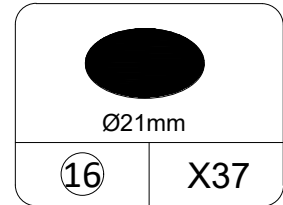
BOLT  
spare:1



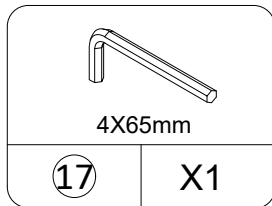
HANDLE



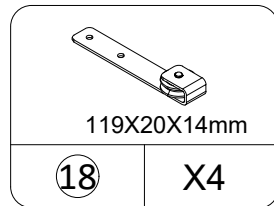
SHELF SUPPORT  
spare:1



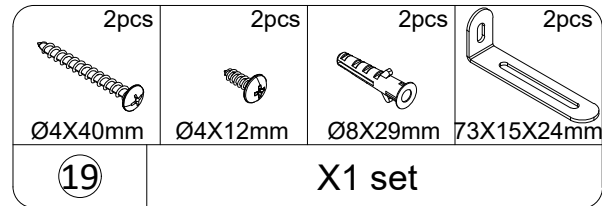
PERFECT STICKERS  
spare:3



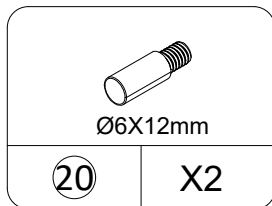
HEX KEY



PULLEY



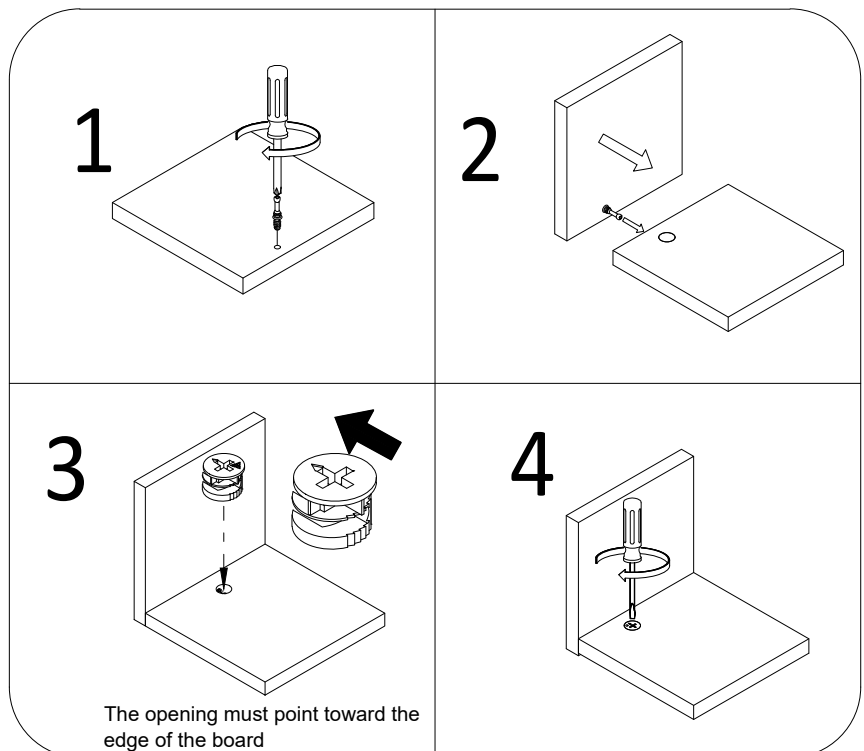
ANTI-TIPPING HARDWARE



SHELF SUPPORT

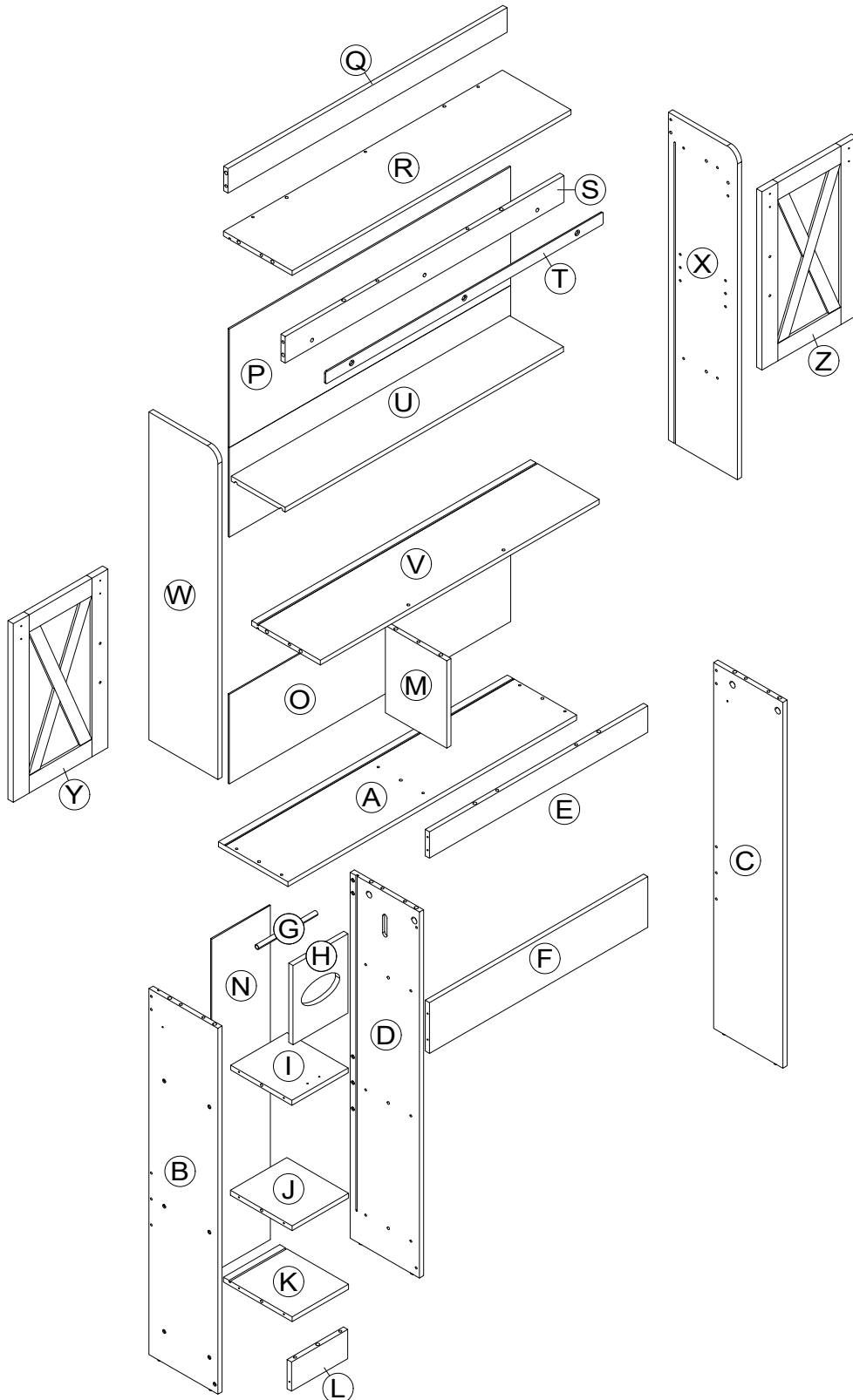
## Cam Lock Fastening System

Insert the cam bolt into the hole first, then insert the cam lock and lock it.



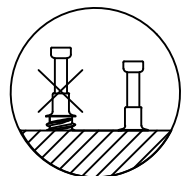
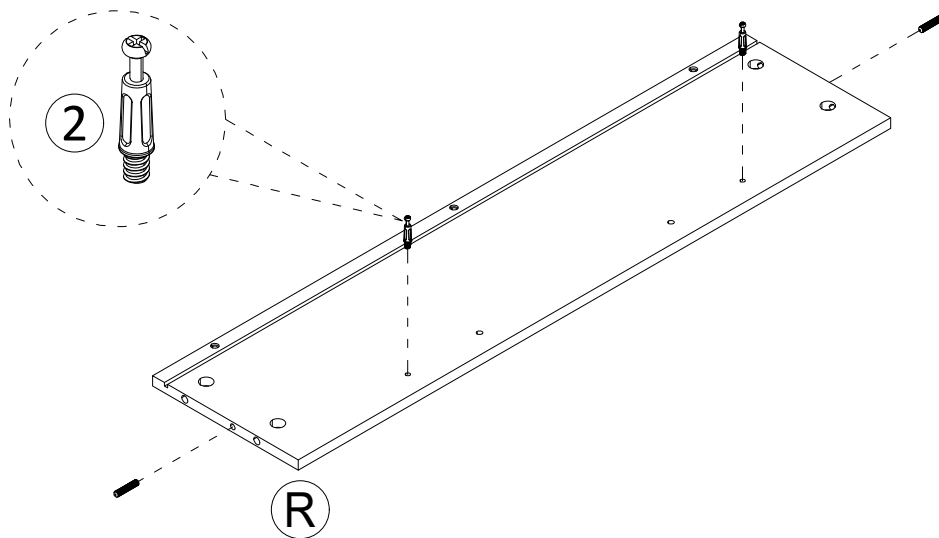
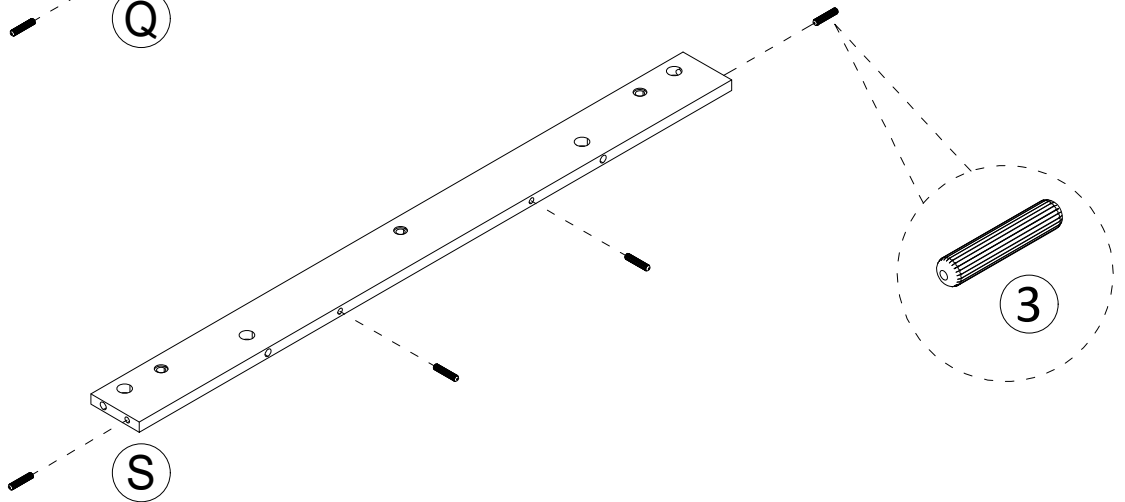
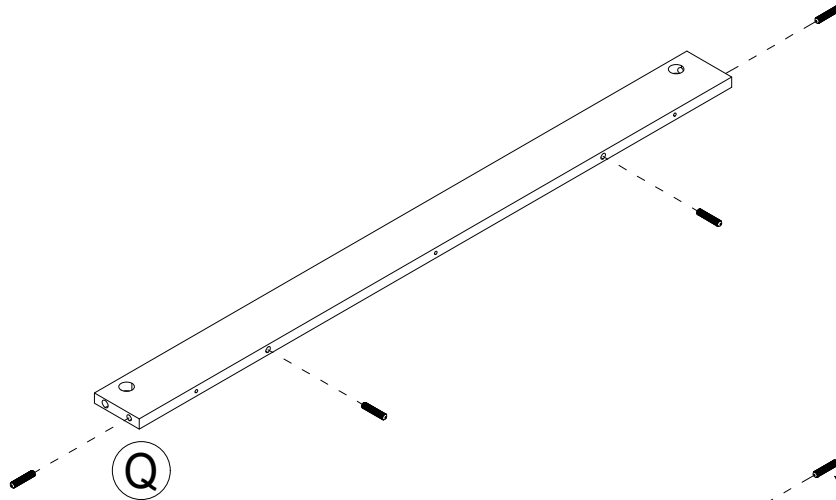
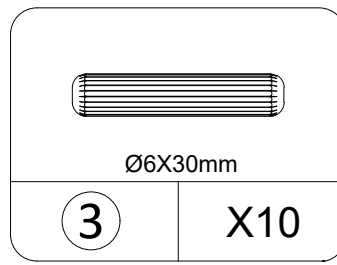
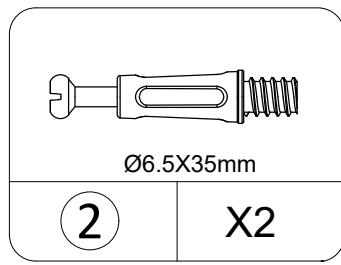
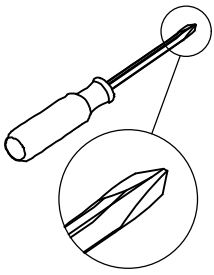
# Board Identification

Not actual size



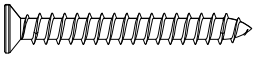
# STEP 1

# RIGHT MOUNTED




# STEP2

# RIGHT MOUNTED



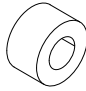
Ø4X35mm

5	X3
---	----



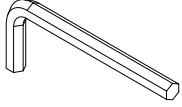
M4X25mm

4	X3
---	----



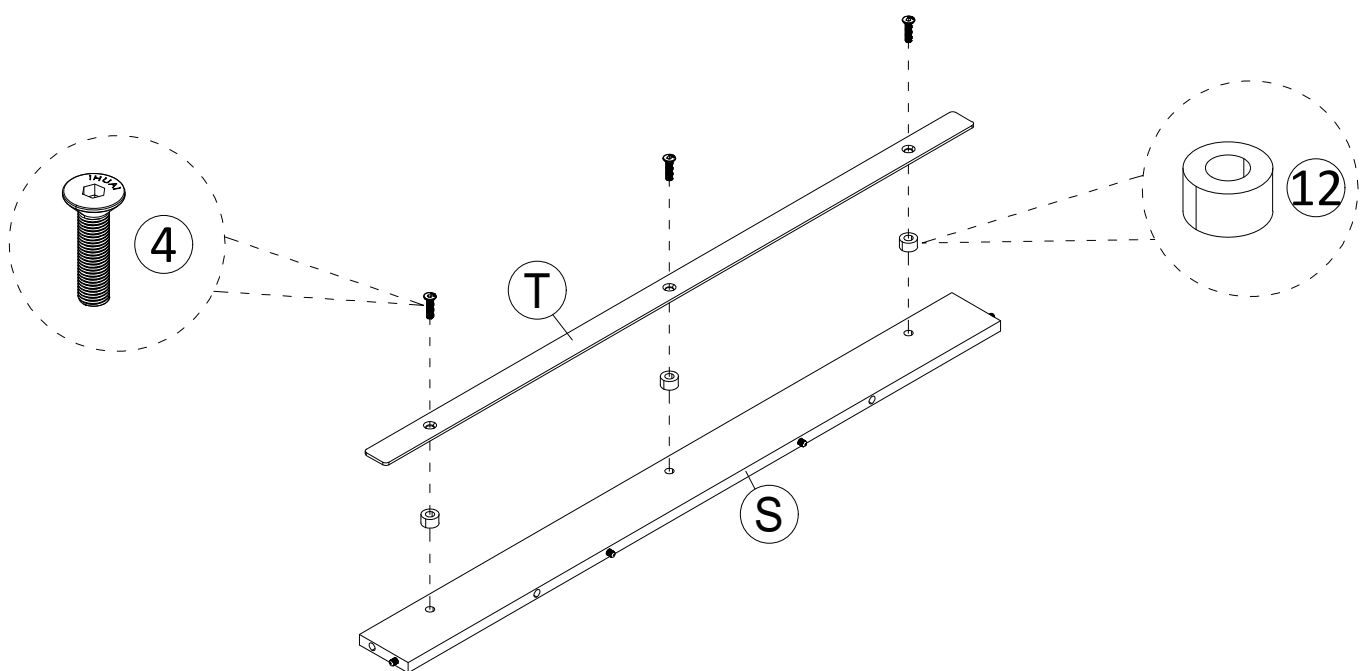
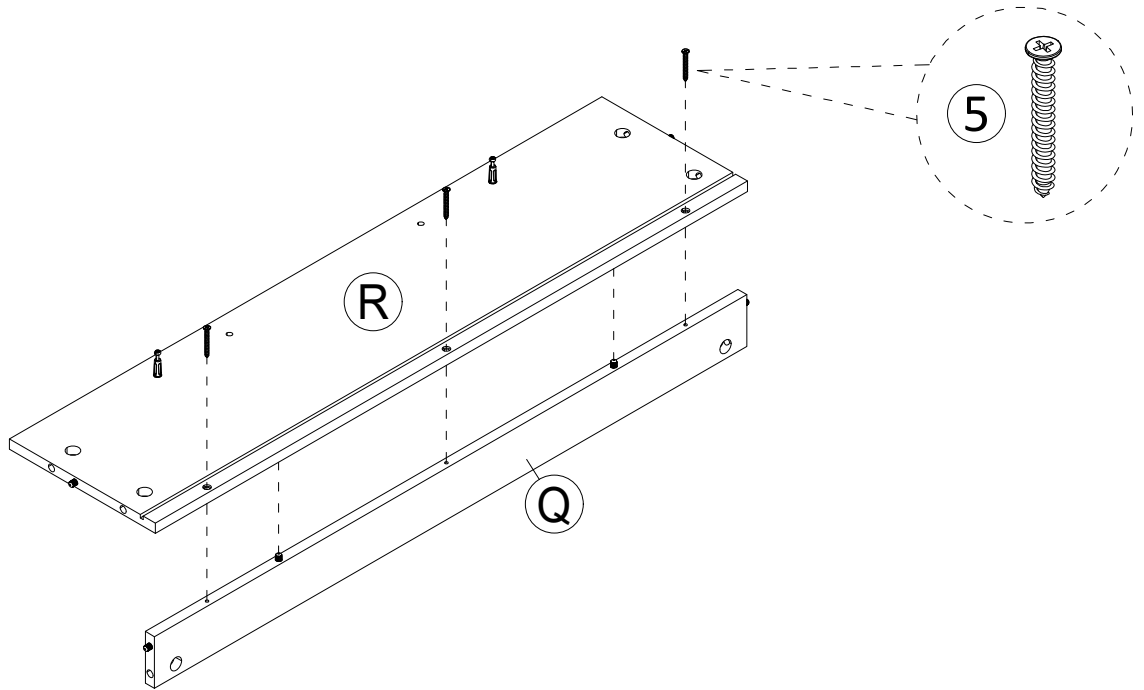
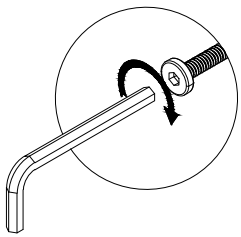
Ø18(Ø8)X10mm

12	X3
----	----



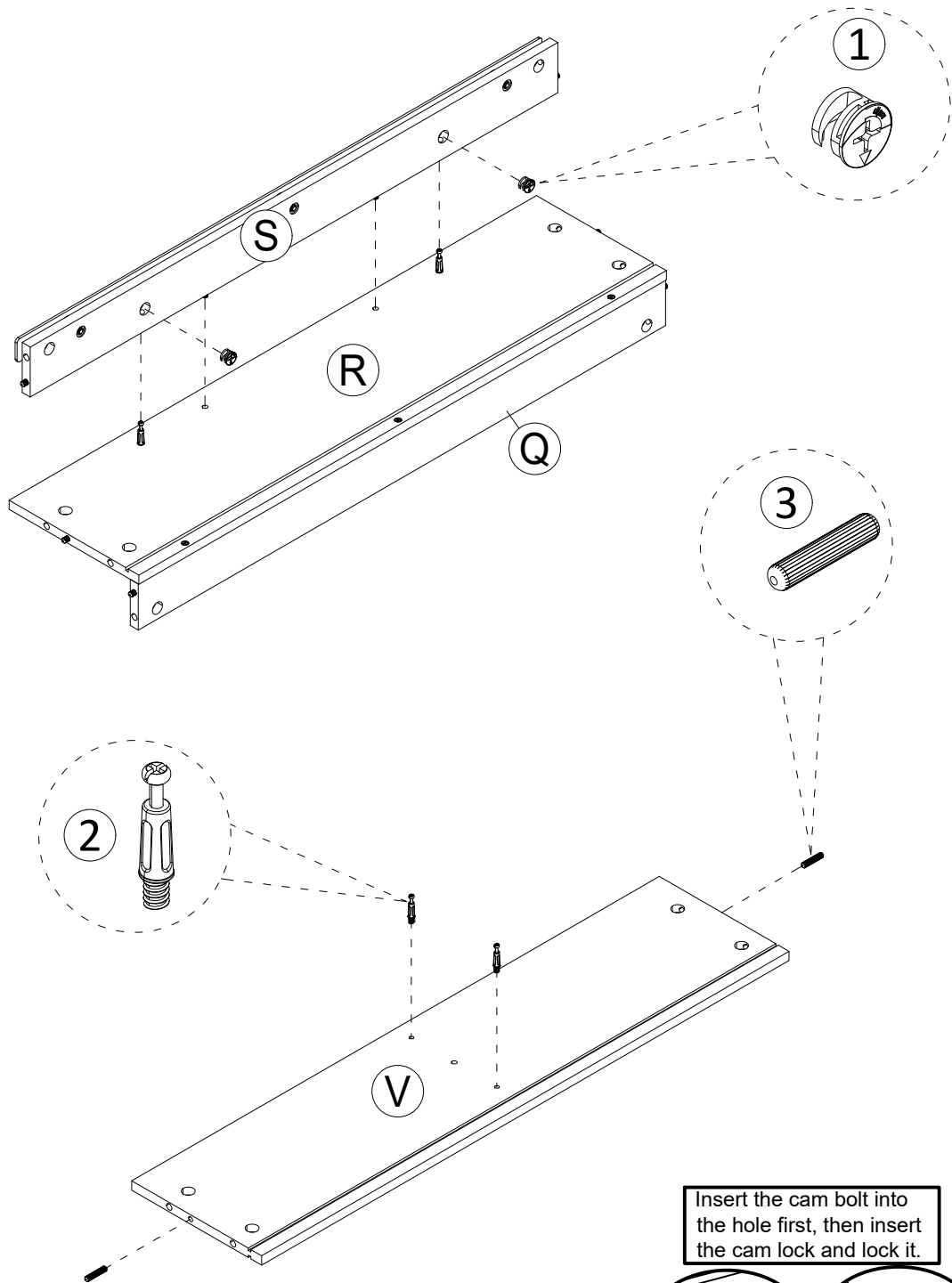
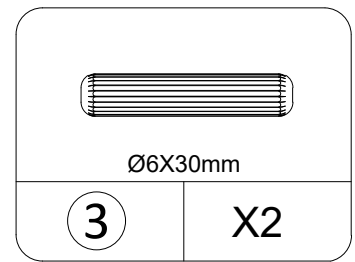
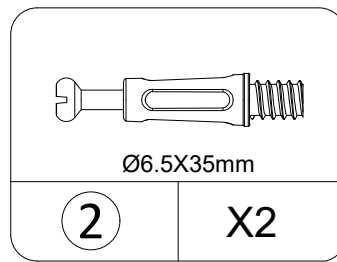
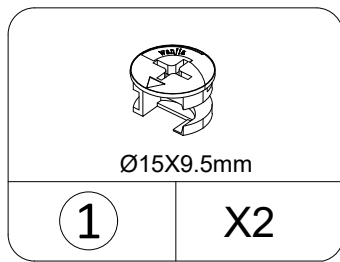
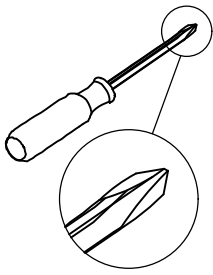
4X65mm

17	X1
----	----

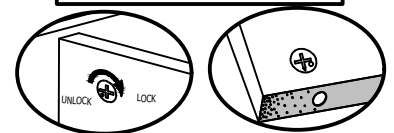
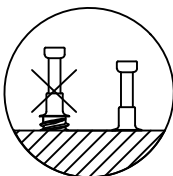


# STEP 3

# RIGHT MOUNTED



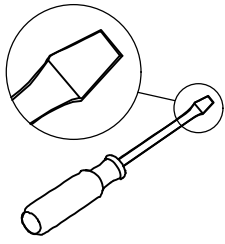
Insert the cam bolt into the hole first, then insert the cam lock and lock it.

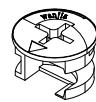



Proper orientation of CAM LOCK

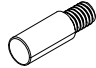
# STEP 4

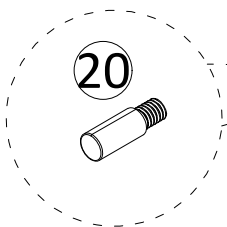
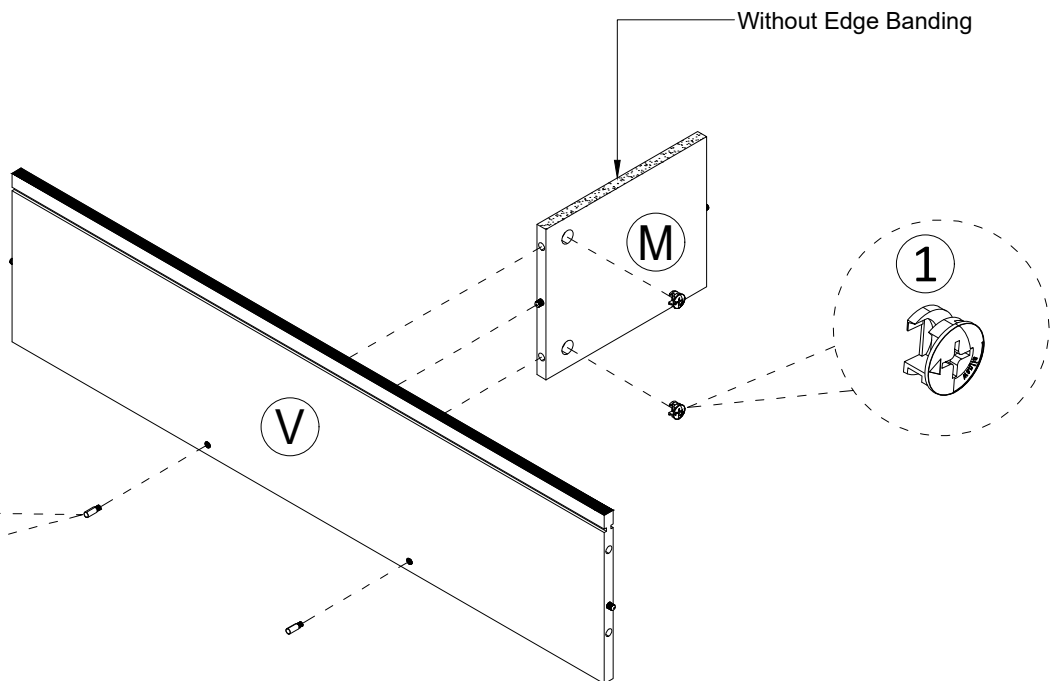
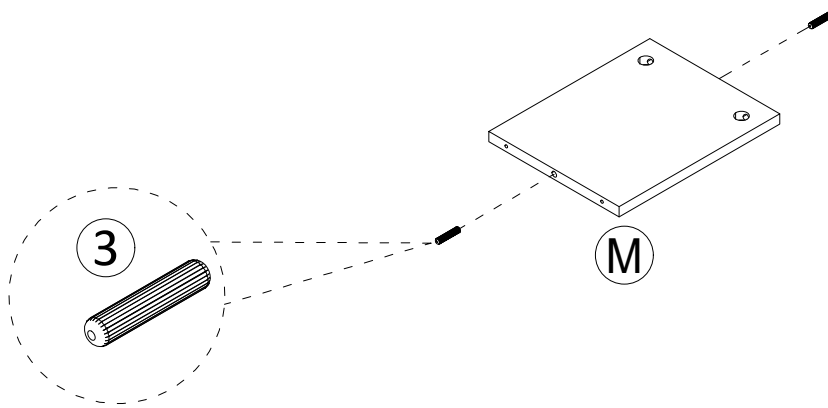
# RIGHT MOUNTED



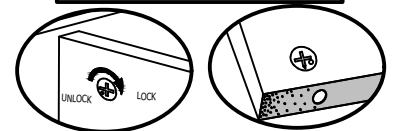
 Ø15X9.5mm	
1	X2

 Ø6X30mm	
3	X2

 Ø6X12mm	
20	X2



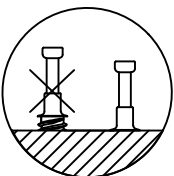
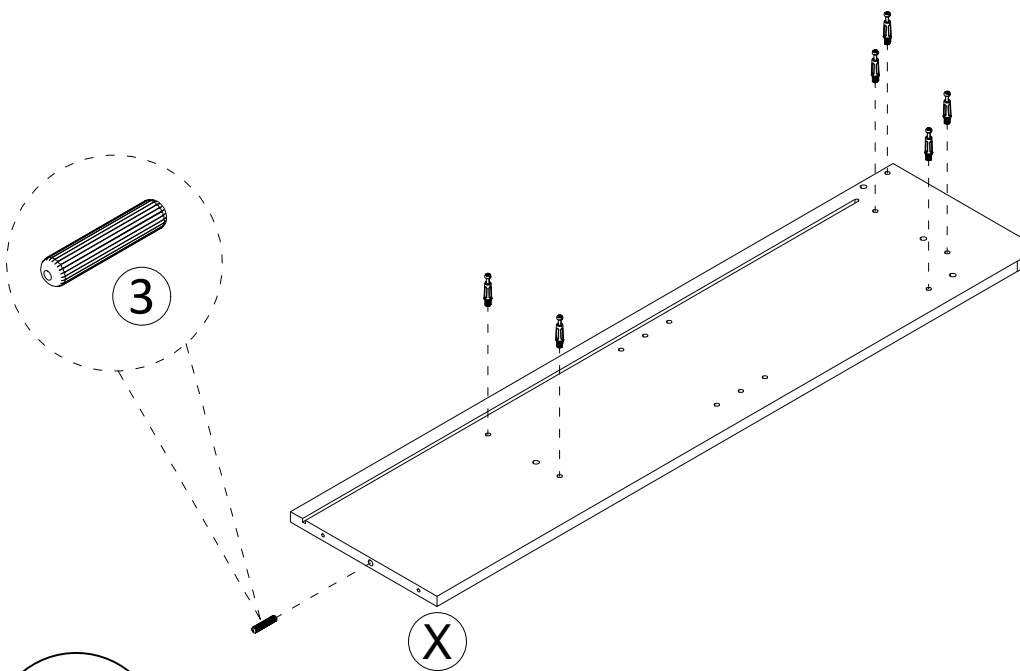
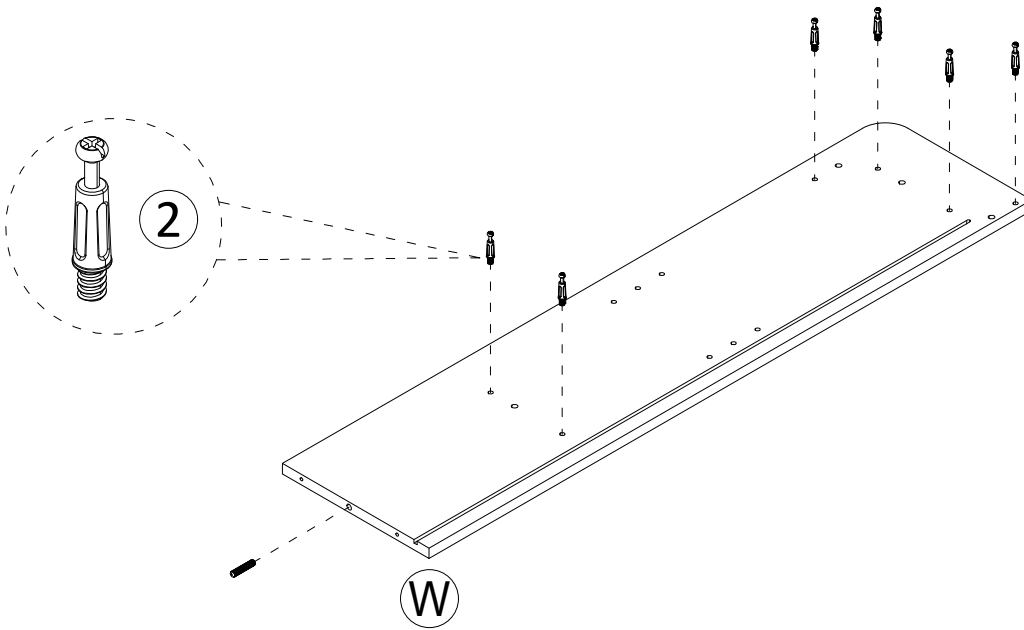
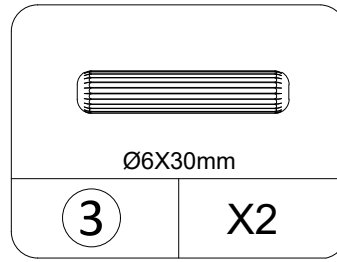
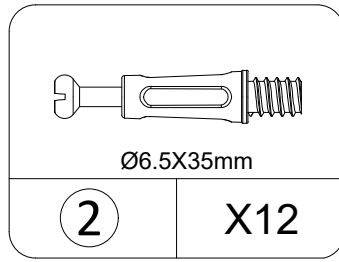
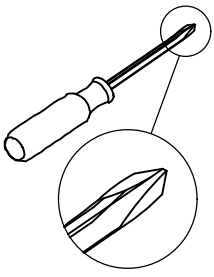
Insert the cam bolt into the hole first, then insert the cam lock and lock it.



Proper orientation of CAM LOCK

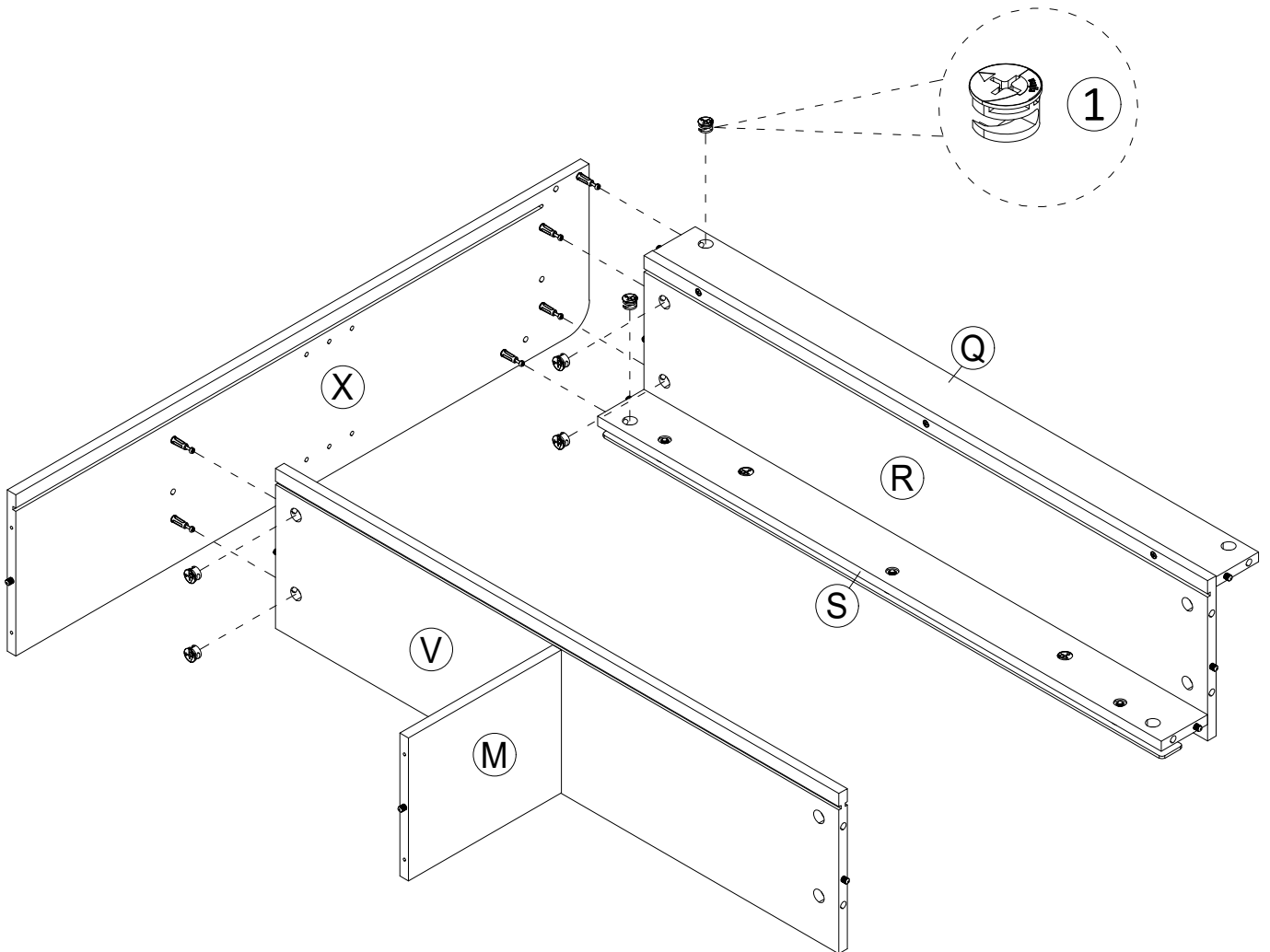
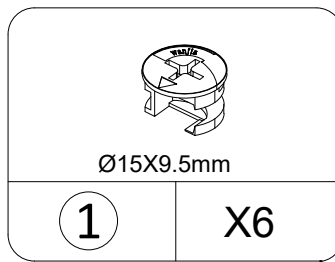
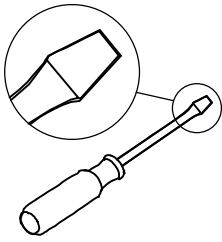
# STEP 5

# RIGHT MOUNTED

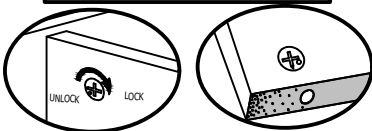


# STEP6

# RIGHT MOUNTED



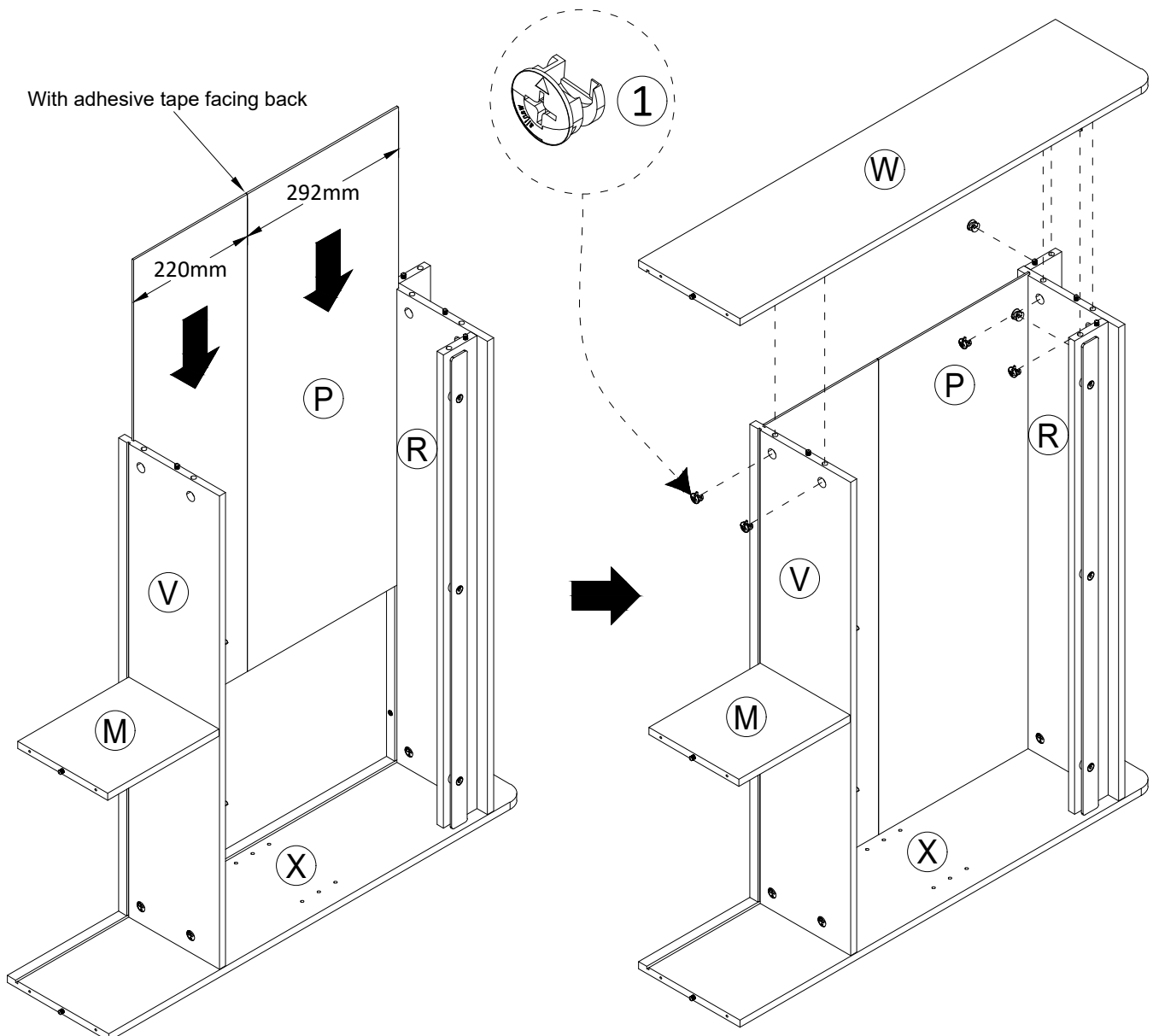
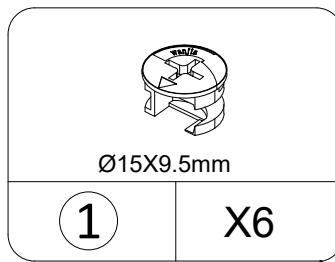
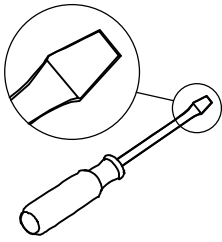
Insert the cam bolt into the hole first, then insert the cam lock and lock it.



Proper orientation of CAM LOCK

# STEP 7

# RIGHT MOUNTED



With adhesive tape facing back

292mm

220mm

W

P

R

V

M

X

1

P

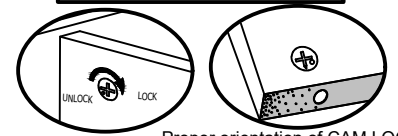
R

V

M

X

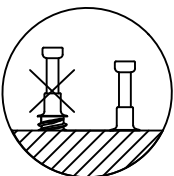
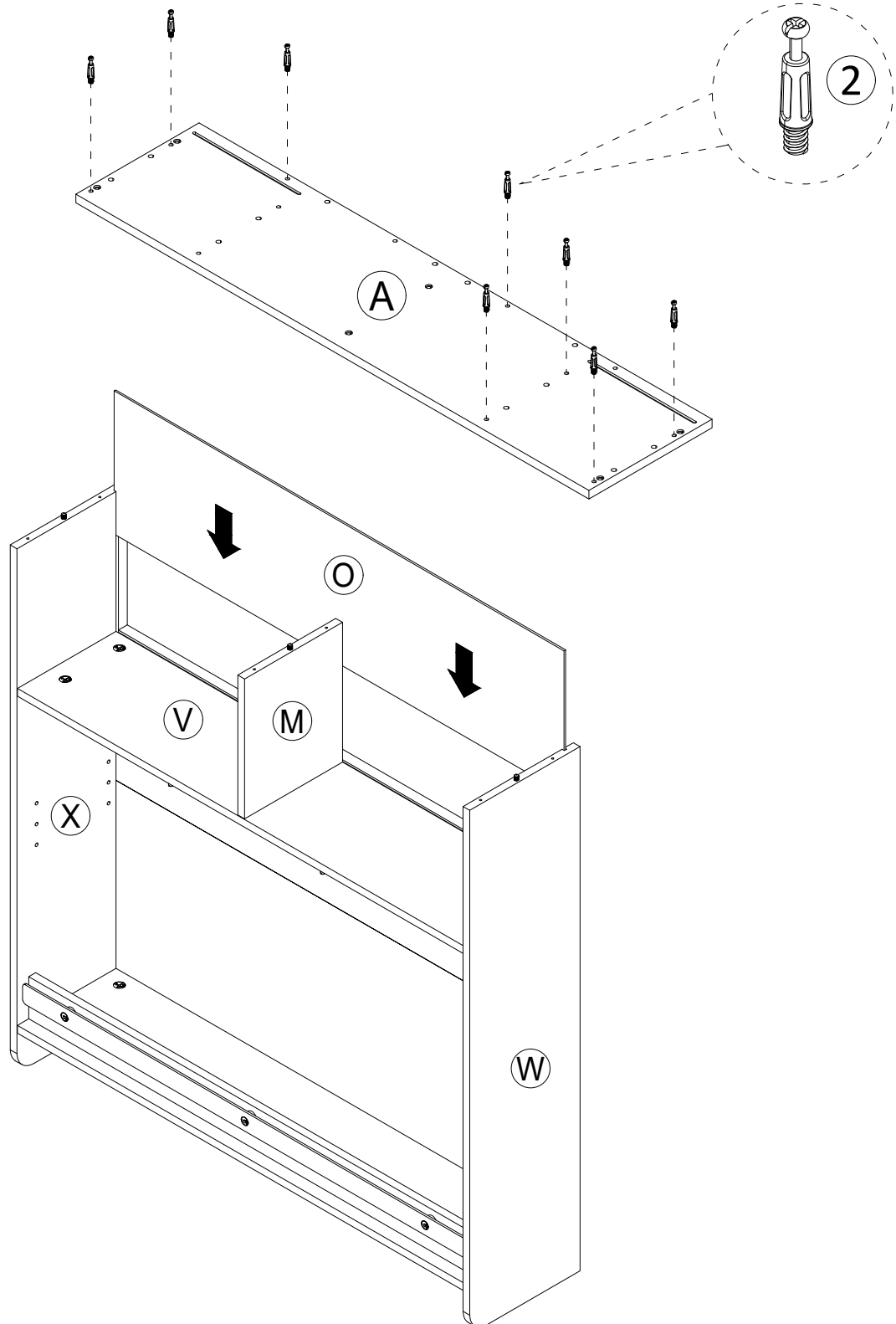
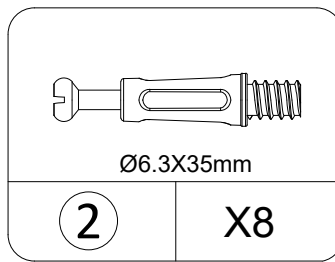
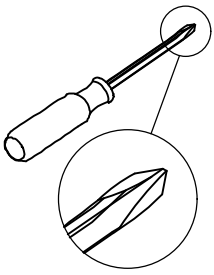
Insert the cam bolt into the hole first, then insert the cam lock and lock it.



Proper orientation of CAM LOCK

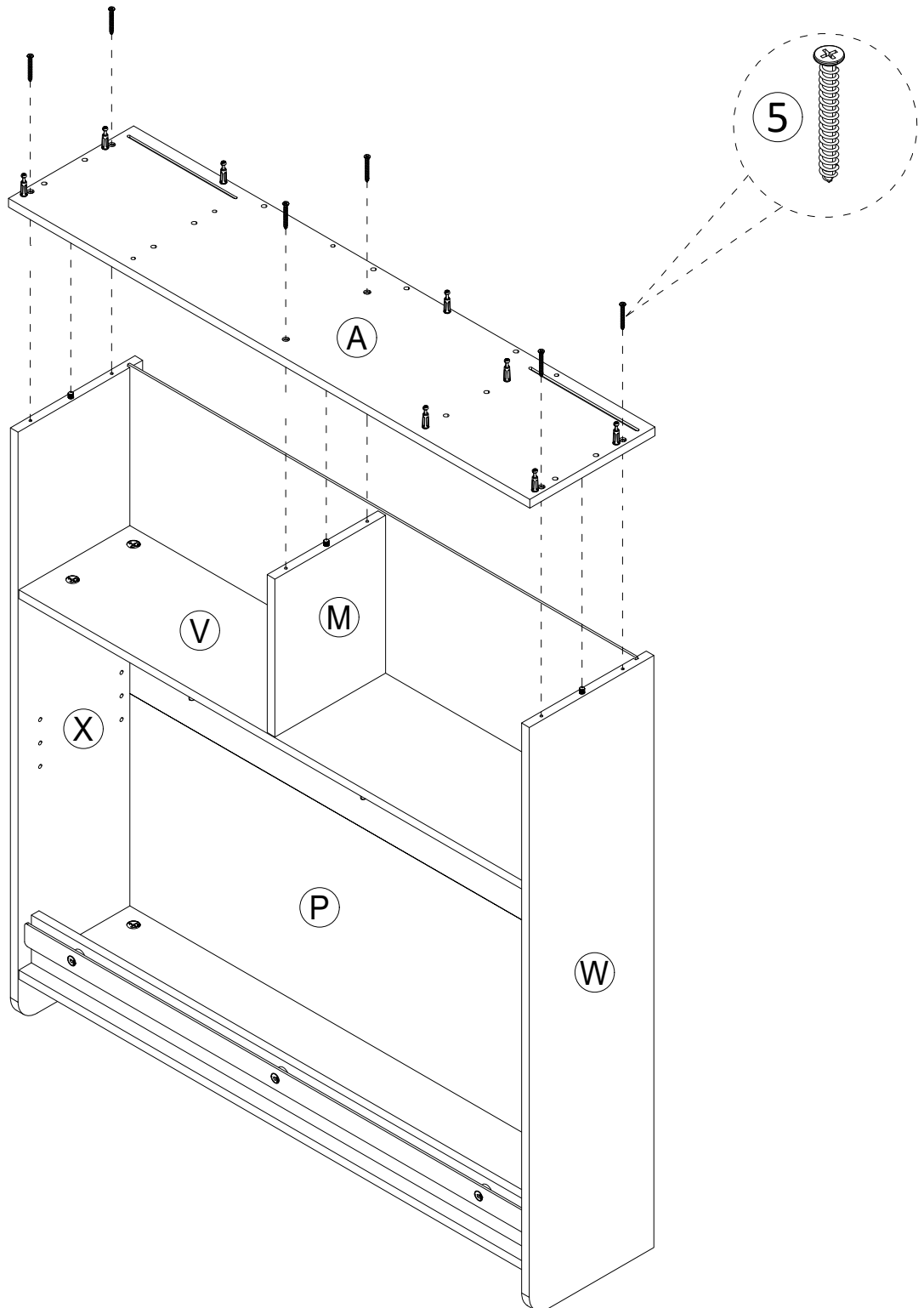
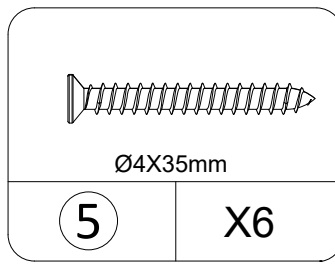
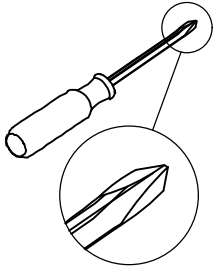
# STEP 8

# RIGHT MOUNTED



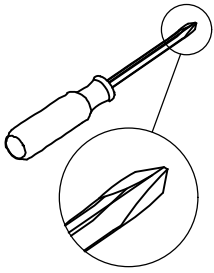
# STEP 9

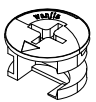
# RIGHT MOUNTED

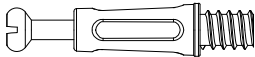



# STEP10

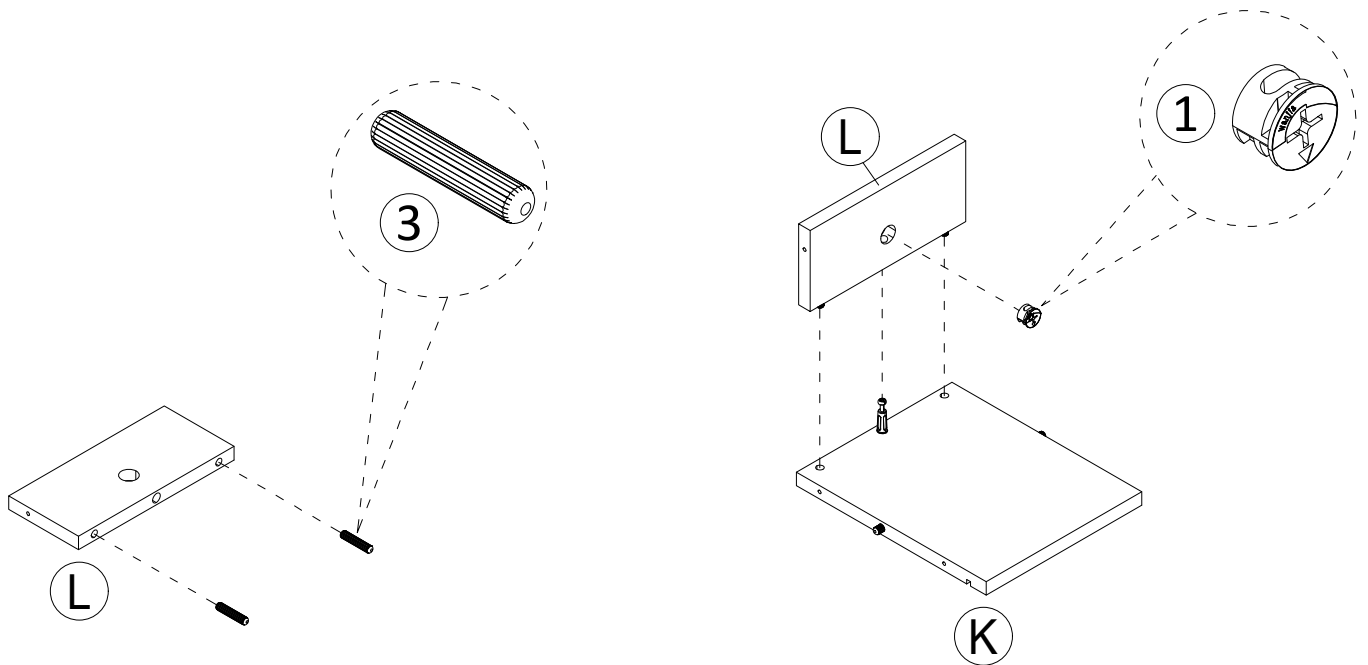
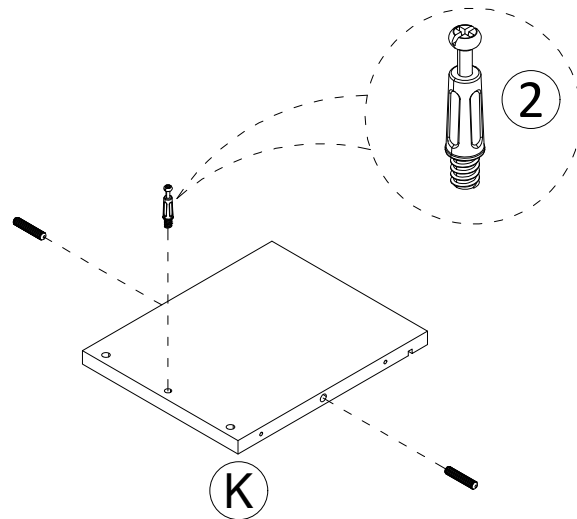
# RIGHT MOUNTED



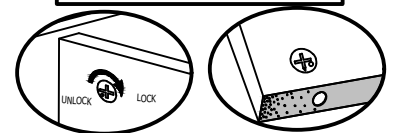
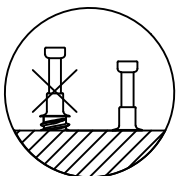
 Ø15X9.5mm	
1	X1

 Ø6.5X35mm	
2	X1

 Ø6X30mm	
3	X4



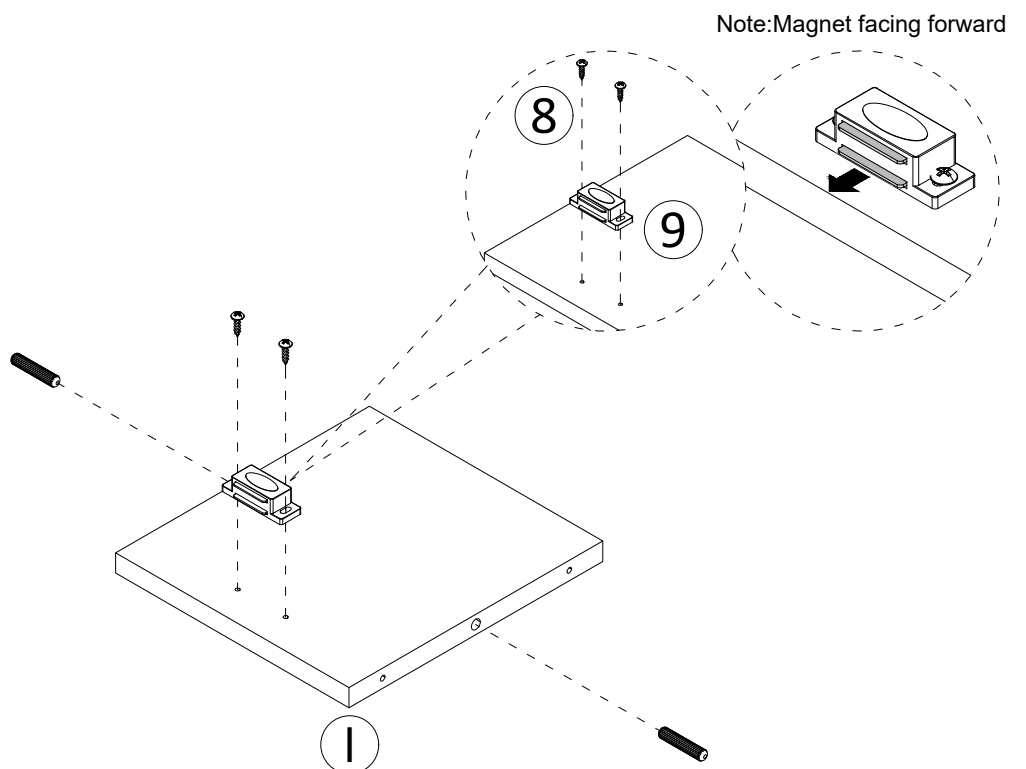
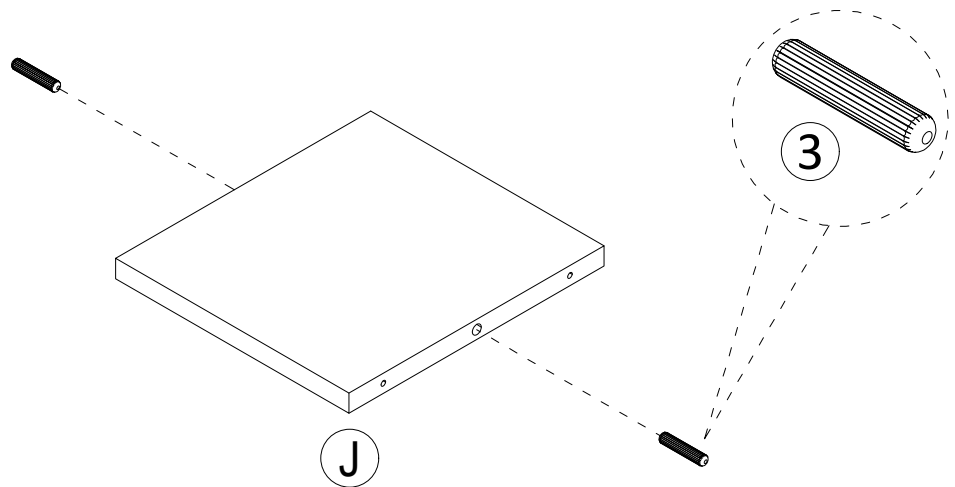
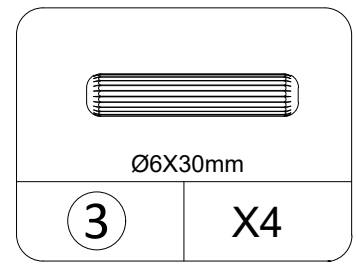
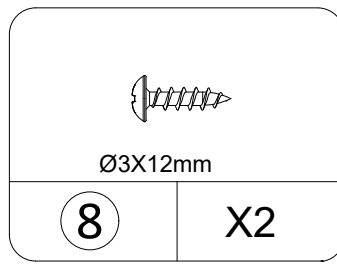
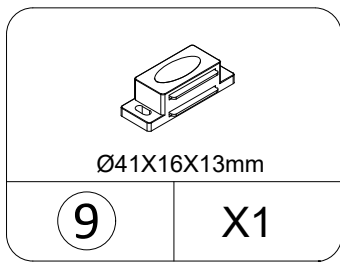
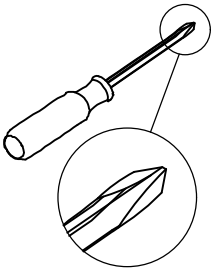
Insert the cam bolt into the hole first, then insert the cam lock and lock it.



Proper orientation of CAM LOCK

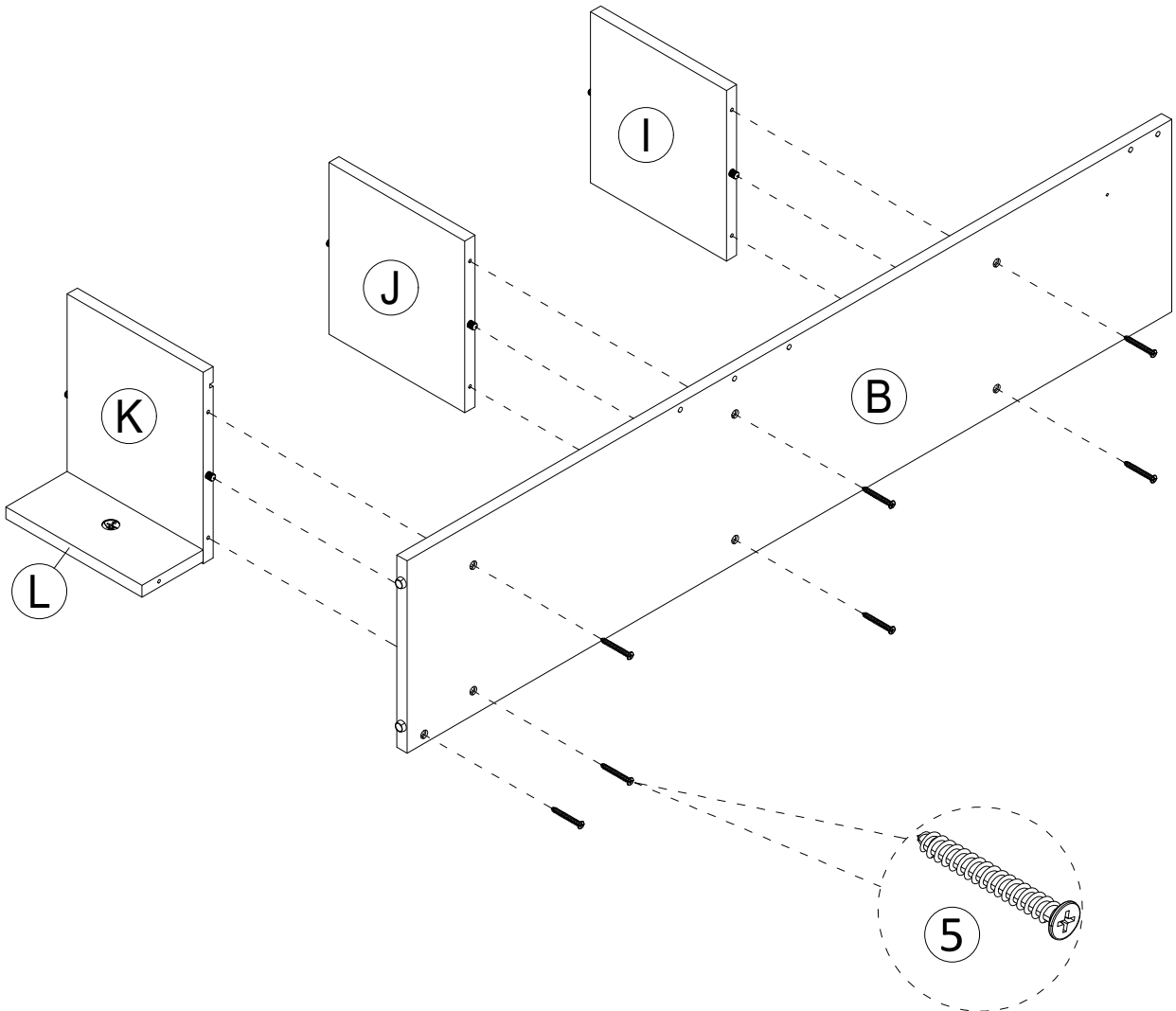
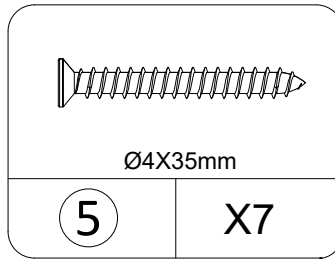
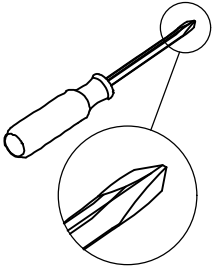
# STEP11

# RIGHT MOUNTED



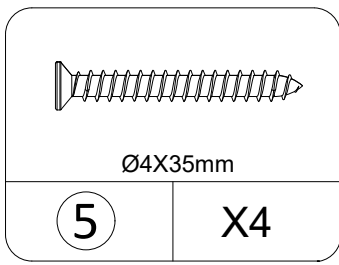
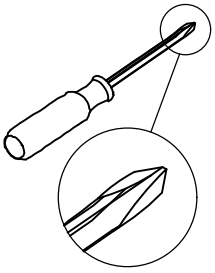
# STEP 12

# RIGHT MOUNTED

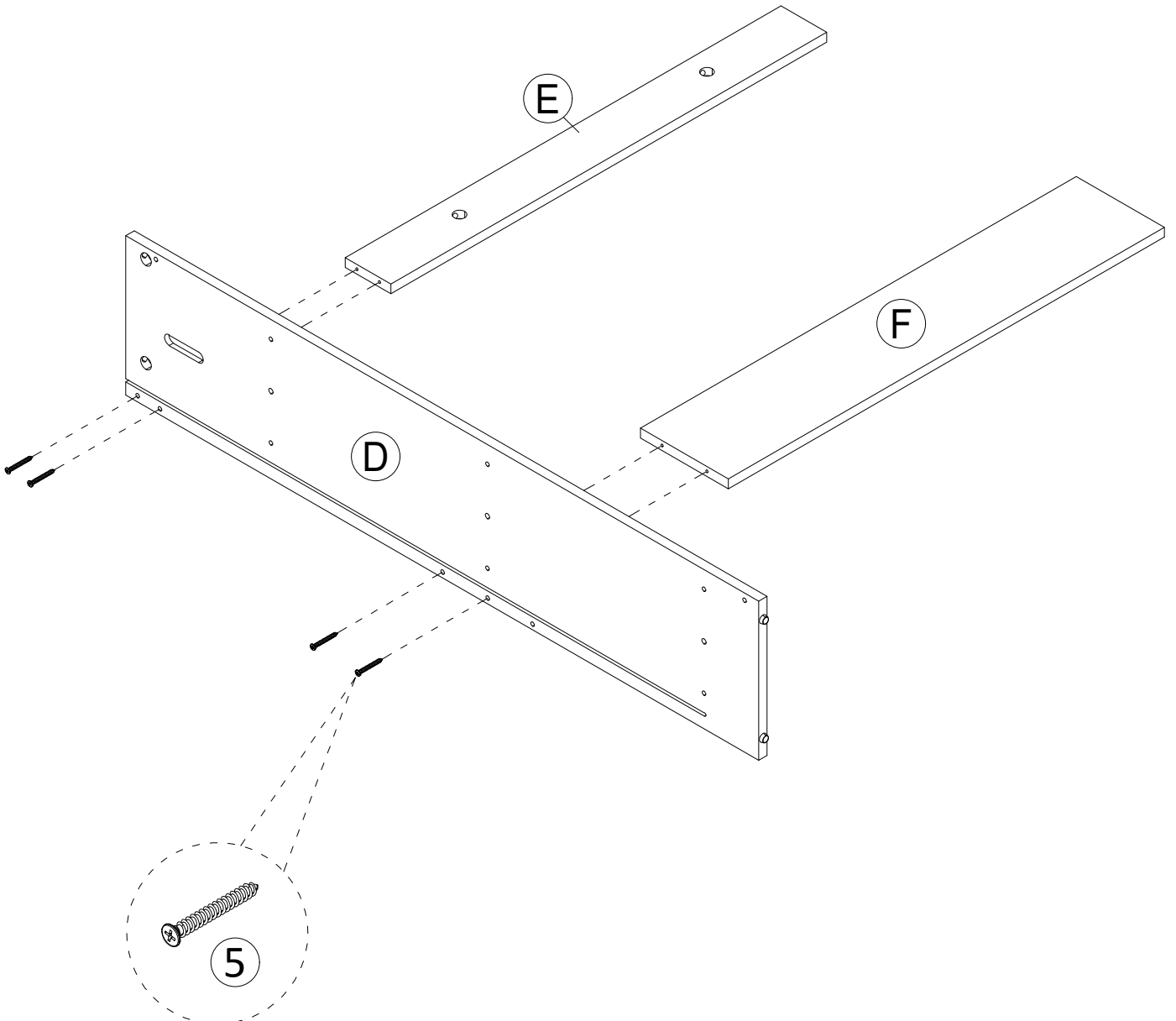
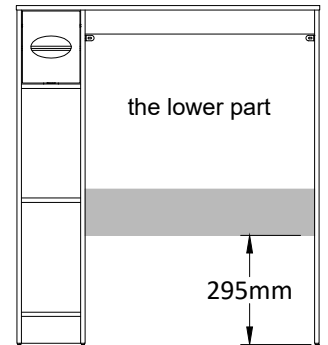
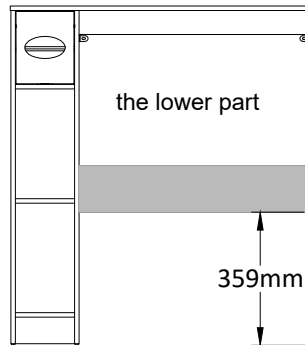


# STEP13

# RIGHT MOUNTED

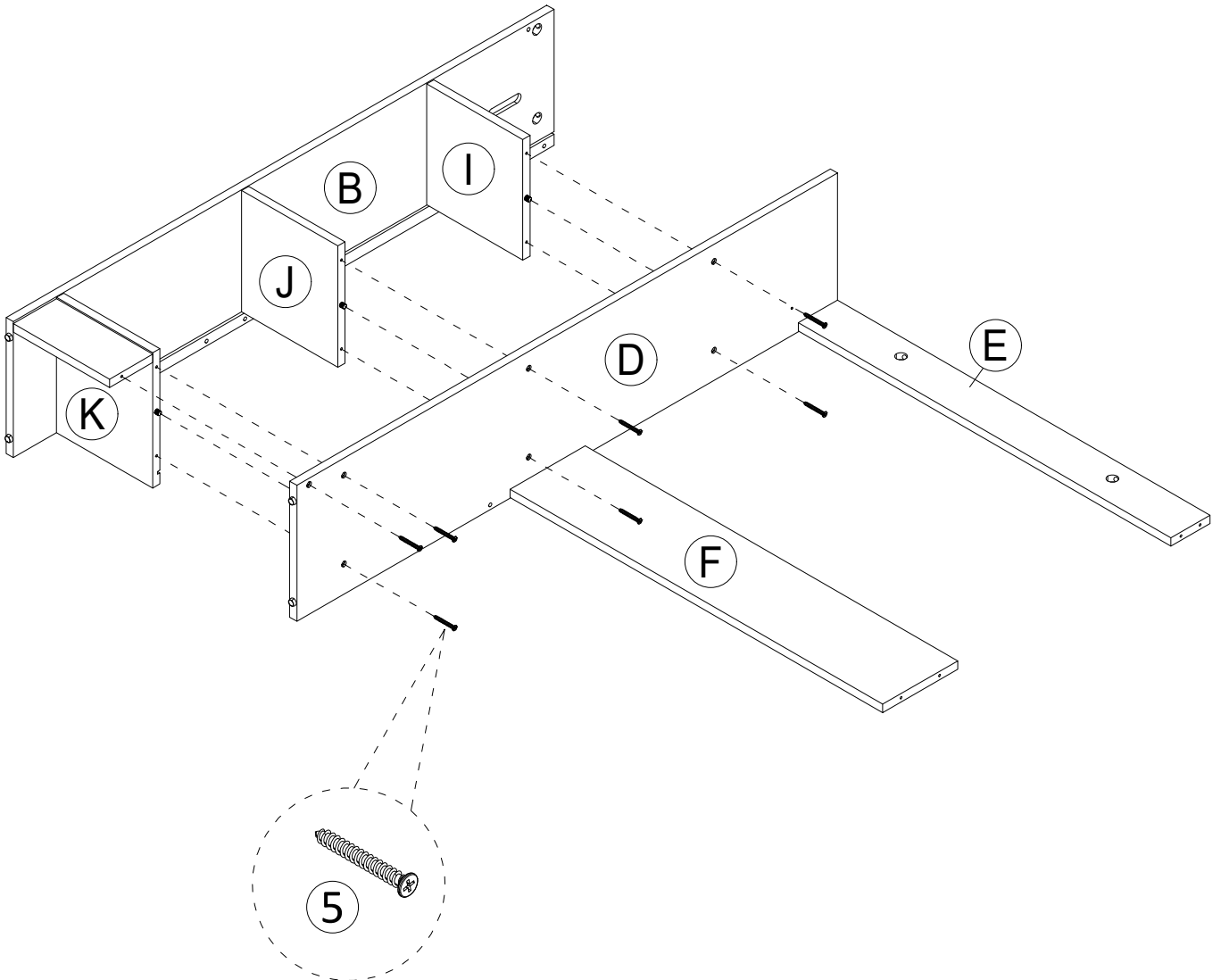
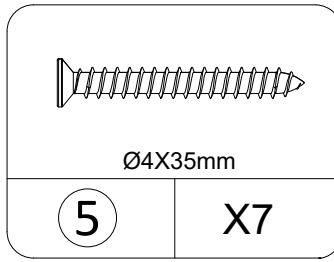
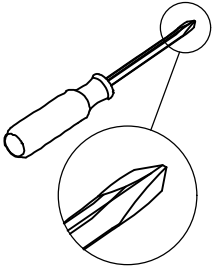


The height of part (F) can be adjusted according to the needs of the toilet, as shown in the figure



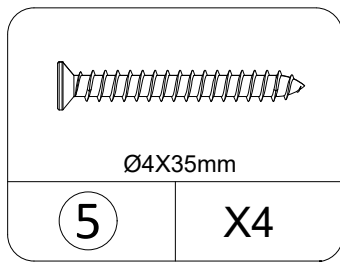
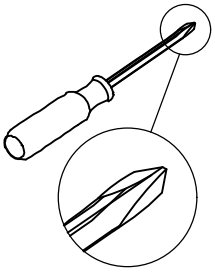
# STEP14

# RIGHT MOUNTED

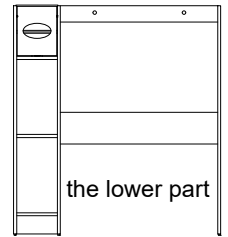
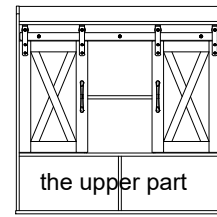


# STEP15

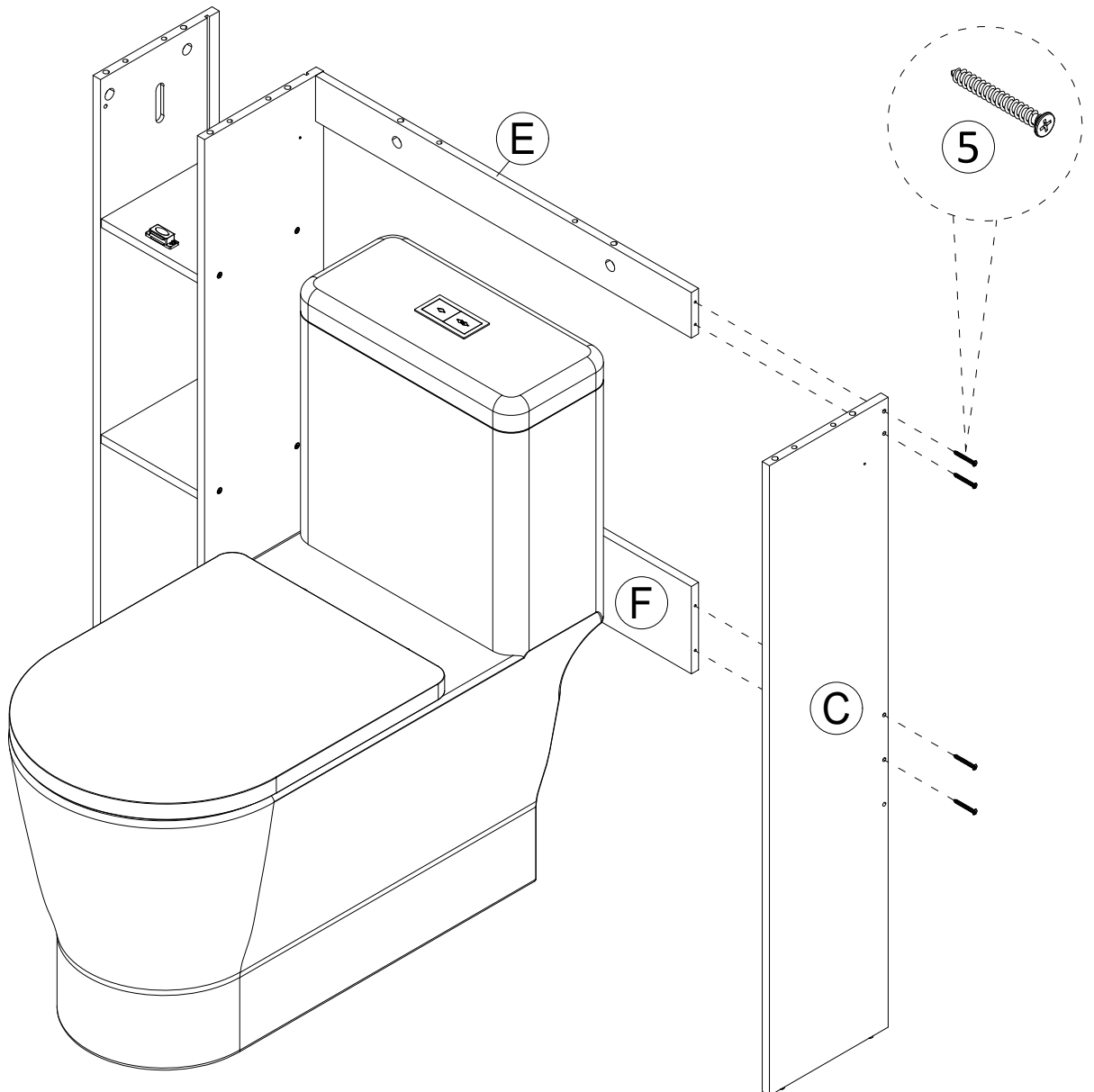
# RIGHT MOUNTED



The lower part must be finished before assembling the upper part

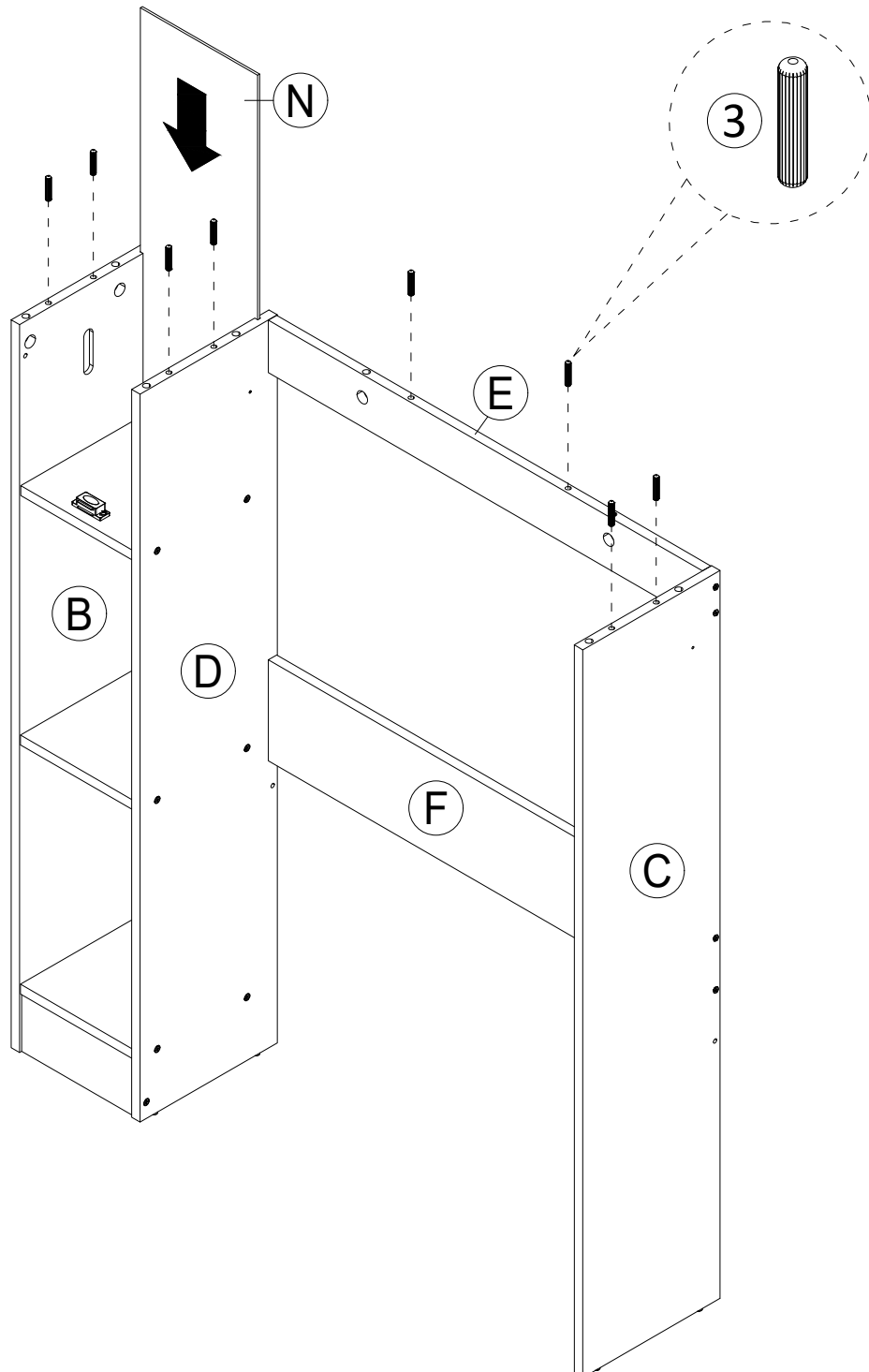
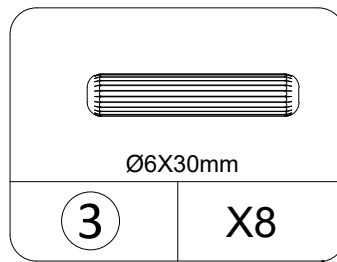


## THIS STEP REQUIRES 2 PEOPLE



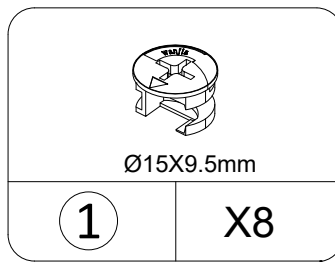
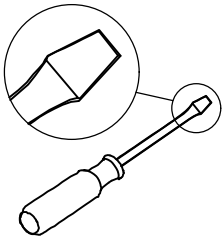
# STEP16

# RIGHT MOUNTED

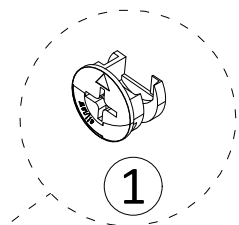
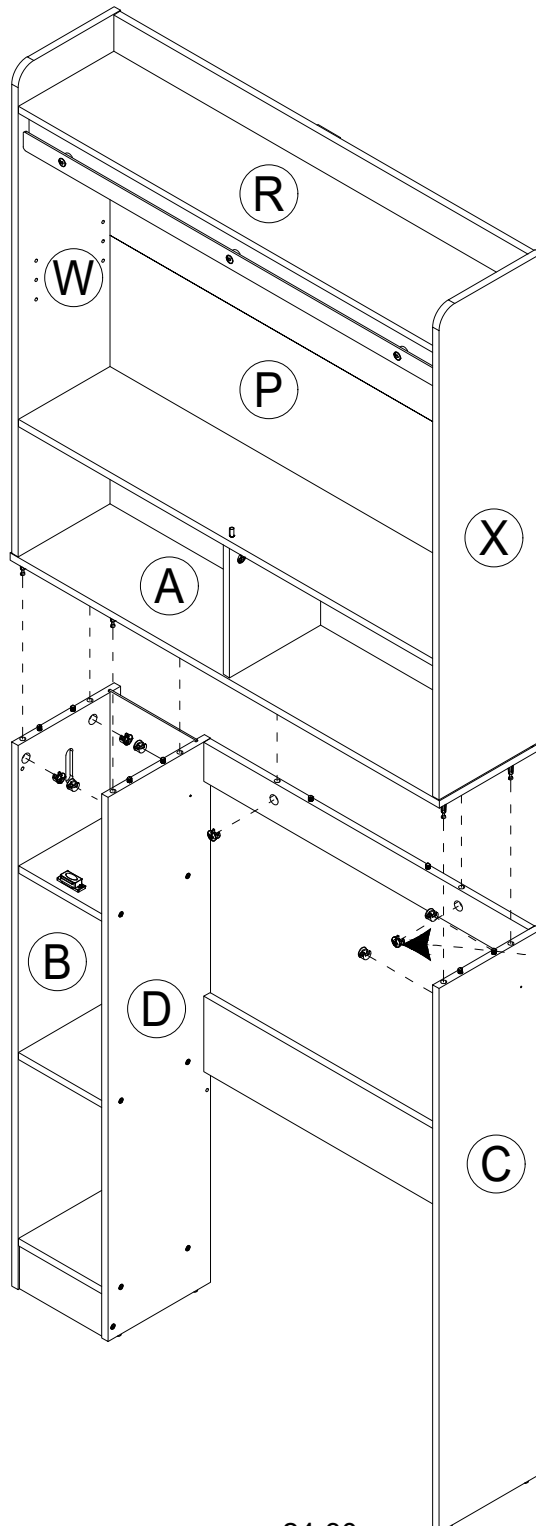


# STEP17

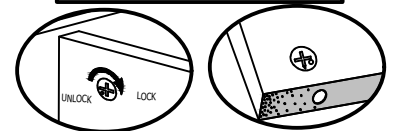
# RIGHT MOUNTED



**THIS STEP REQUIRES 2 PEOPLE**



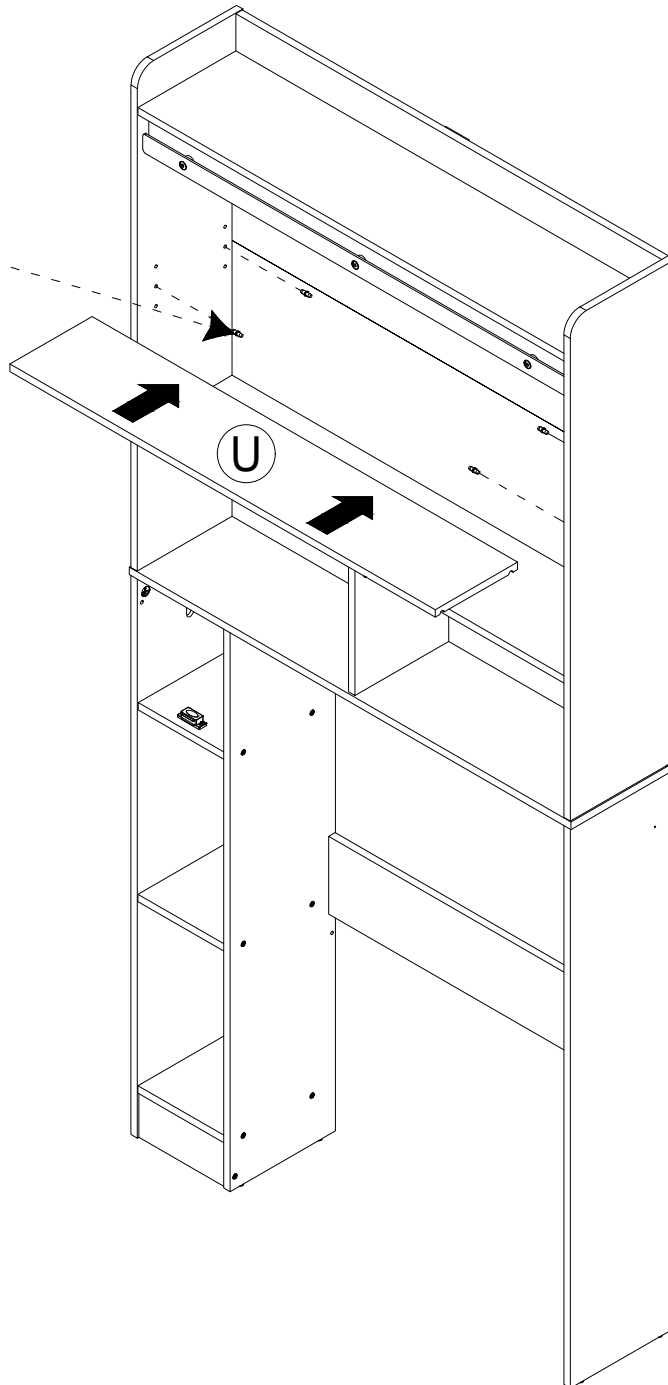
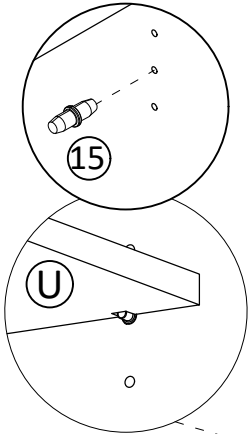
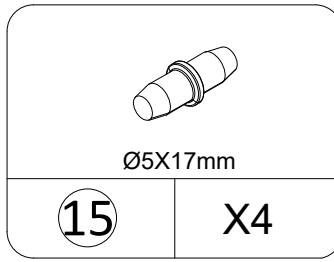
Insert the cam bolt into the hole first, then insert the cam lock and lock it.



Proper orientation of CAM LOCK

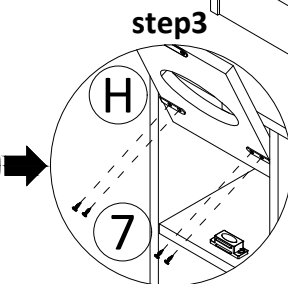
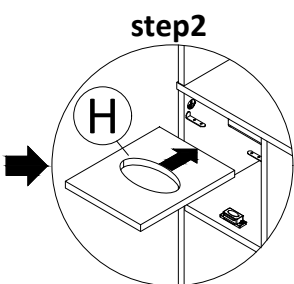
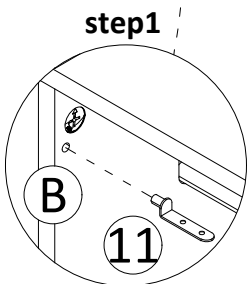
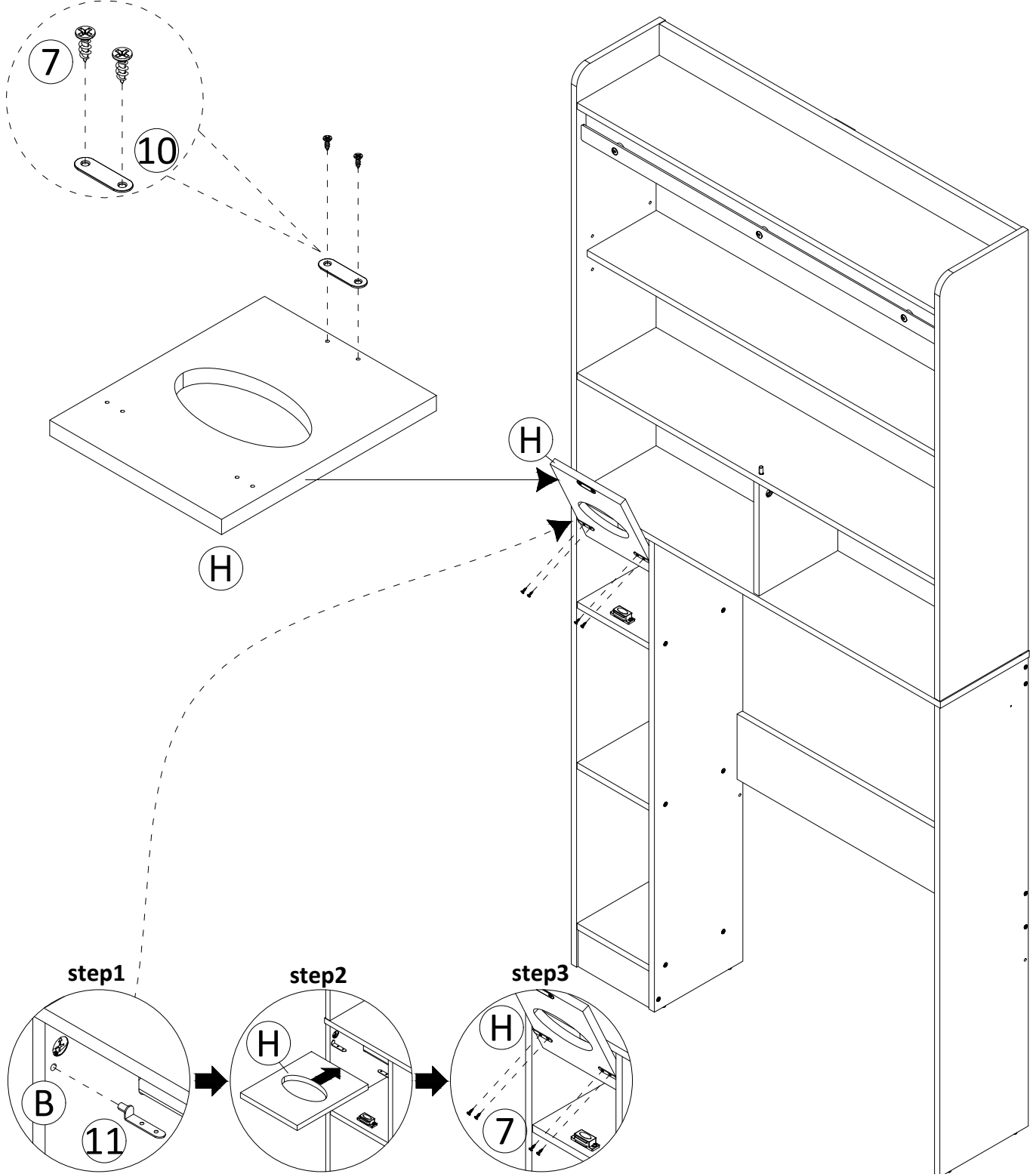
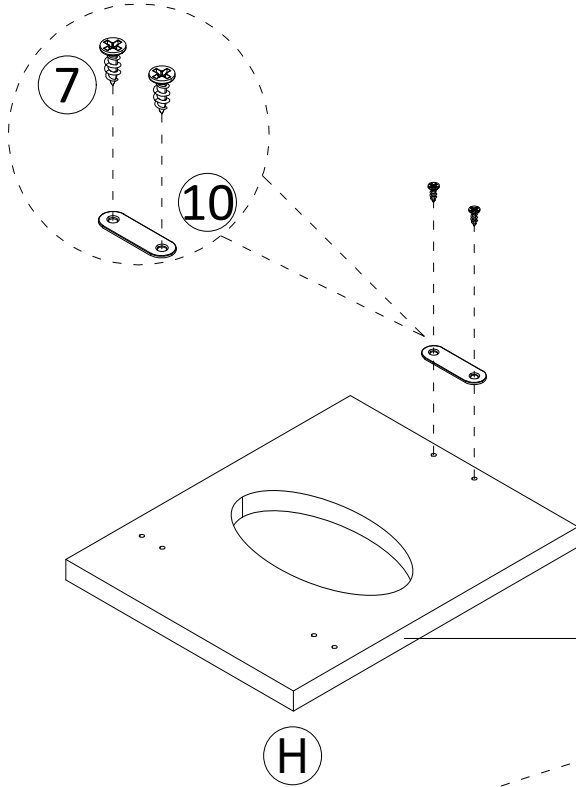
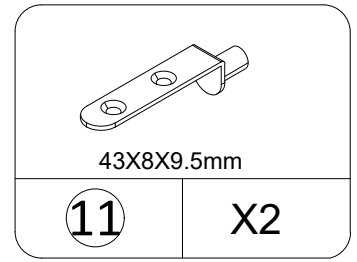
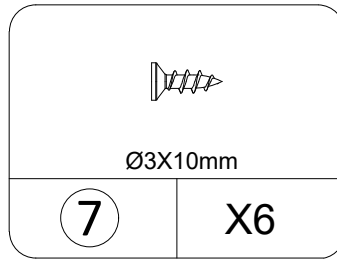
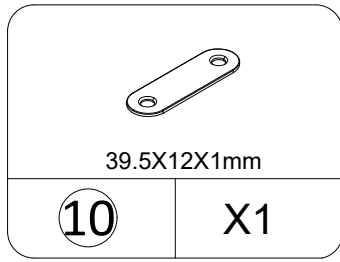
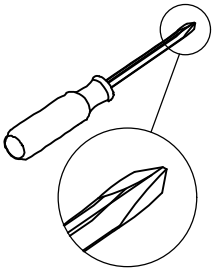
# STEP18

# RIGHT MOUNTED



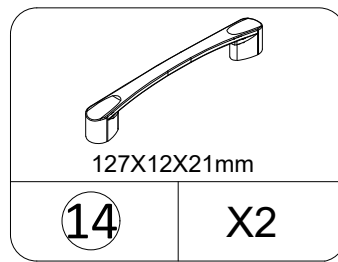
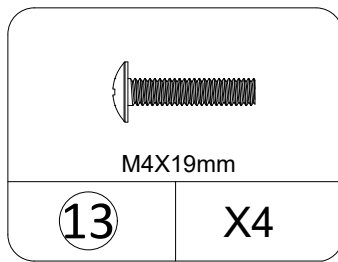
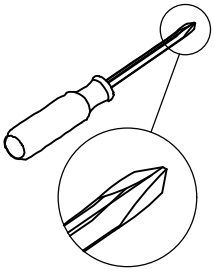
# STEP19

# RIGHT MOUNTED

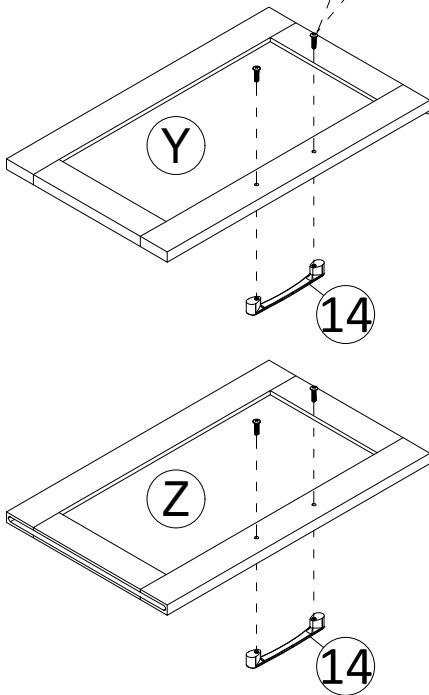


# STEP20

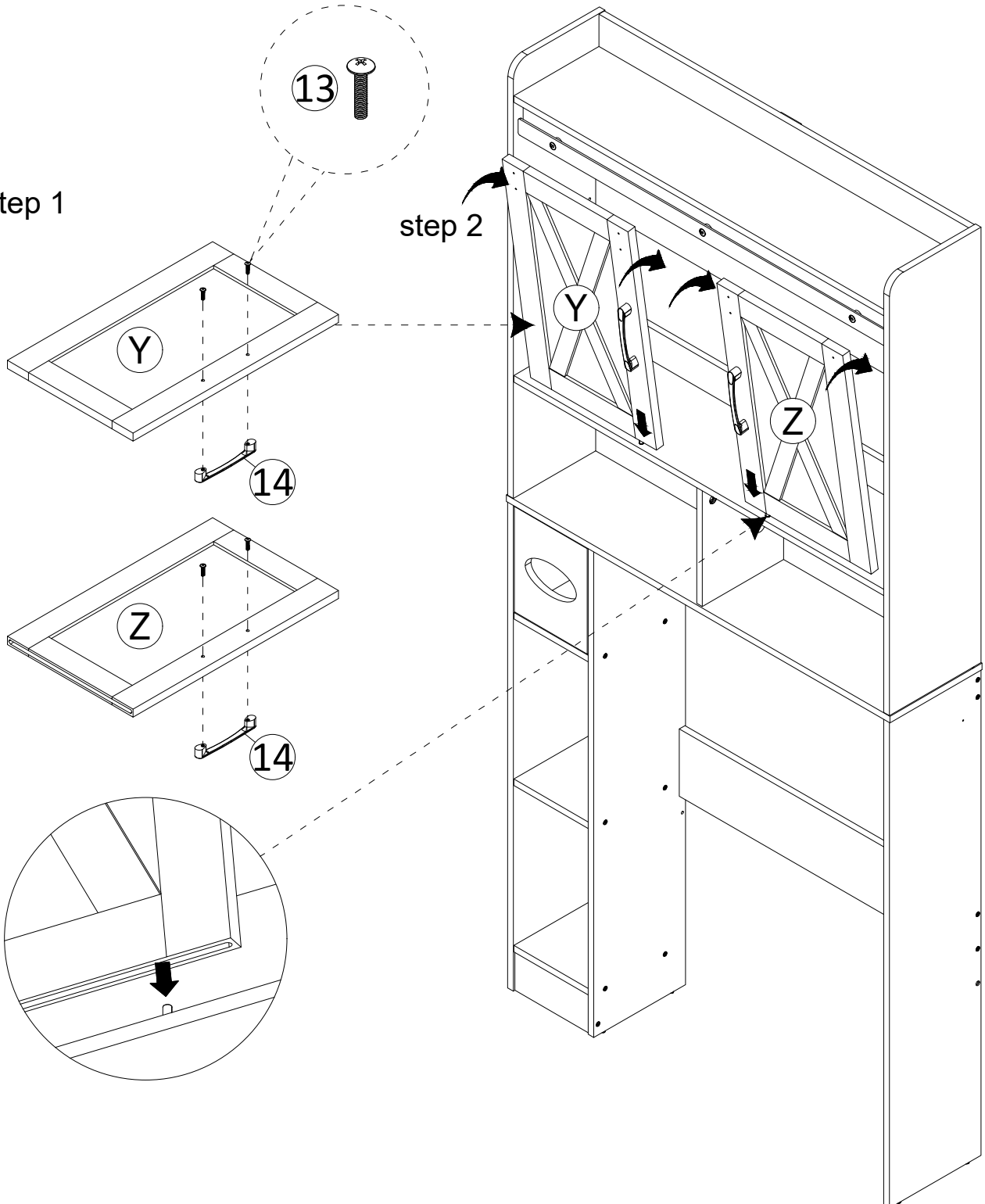
# RIGHT MOUNTED



step 1

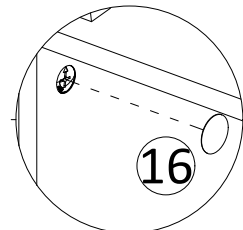
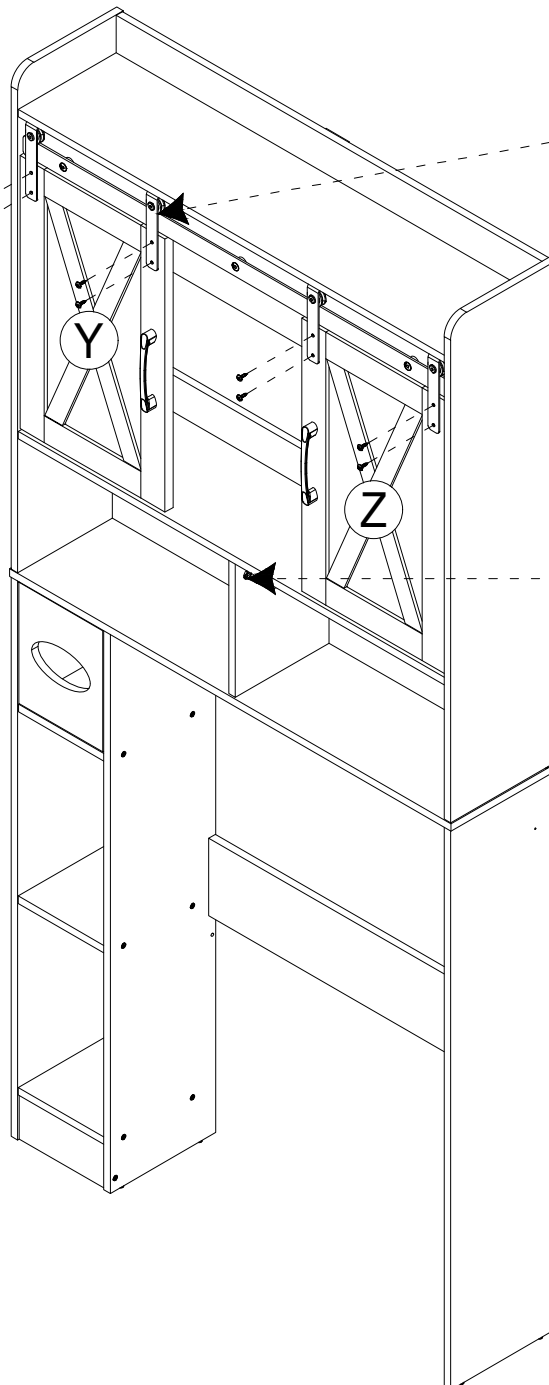
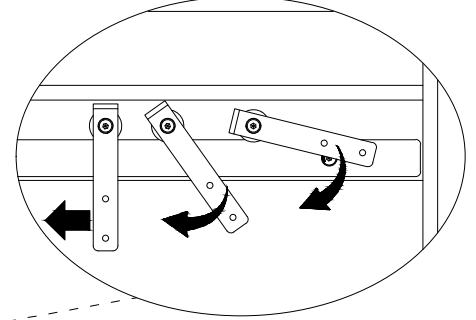
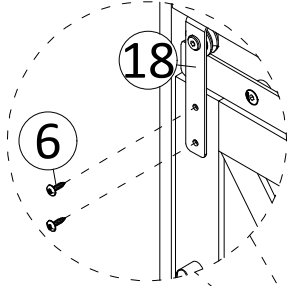
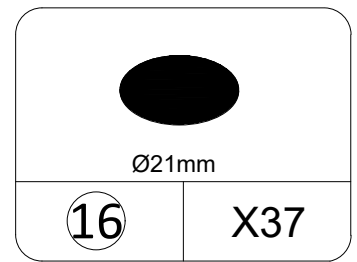
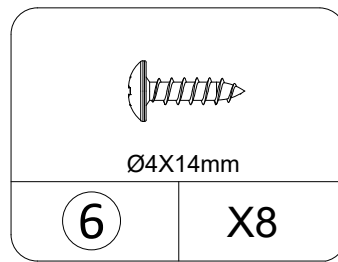
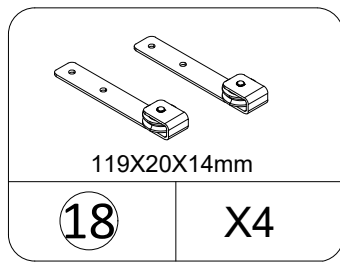
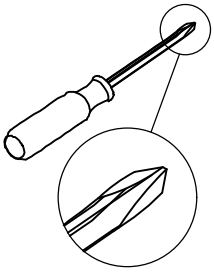


step 2

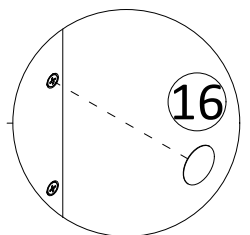


# STEP21

# RIGHT MOUNTED

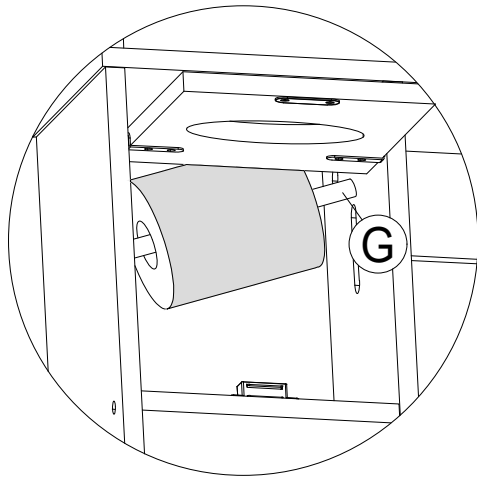
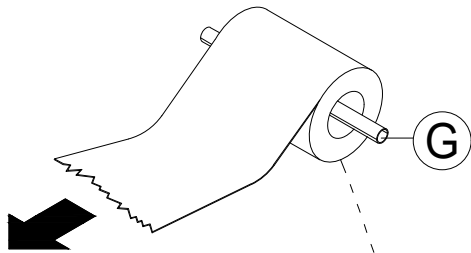


Stick the exposed holes of the cabinet body with hole stickers (16)

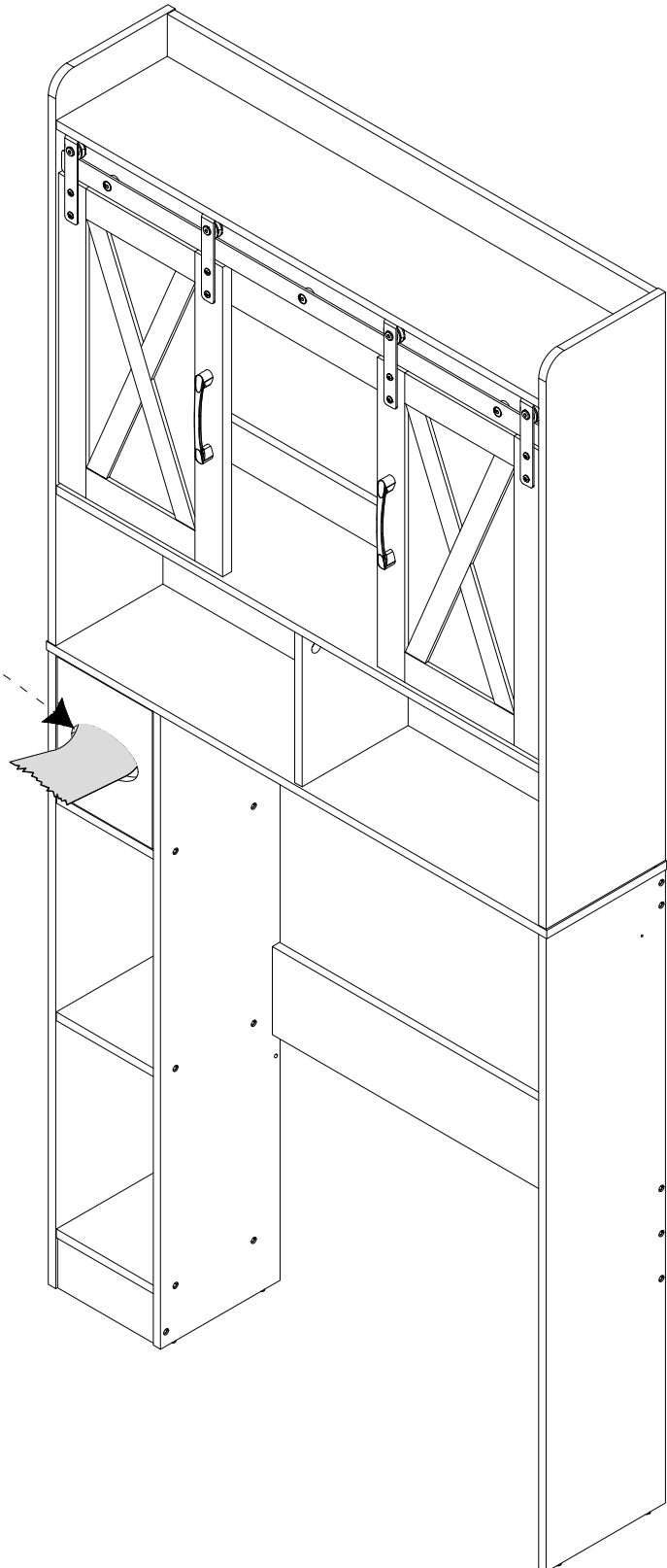


Stick the exposed holes of the cabinet body with hole stickers (16)

Toilet roll paper

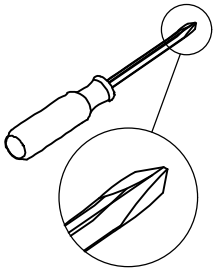


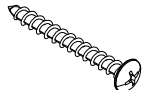

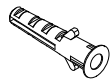
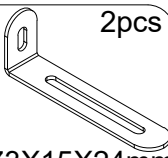
Inclined embedded  
in the groove



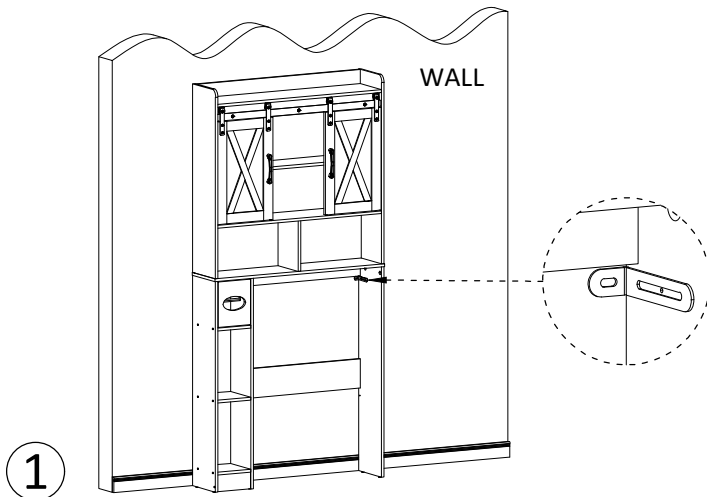
# STEP23

# RIGHT MOUNTED

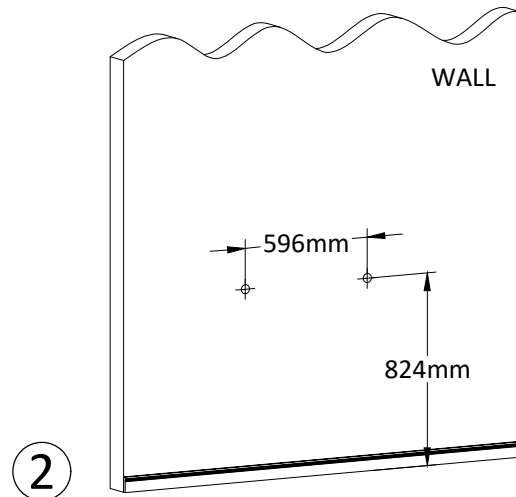


2pcs  Ø4X40mm 19	2pcs  Ø4X12mm	2pcs  Ø8X29mm	2pcs  73X15X24mm
<b>X1 set</b>			

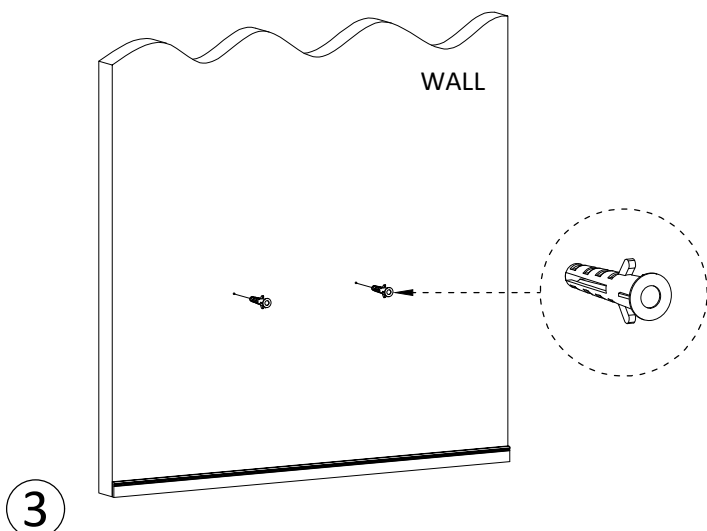
1. Put the cabinet against the wall and mark the hole locked against the wall with a marker.



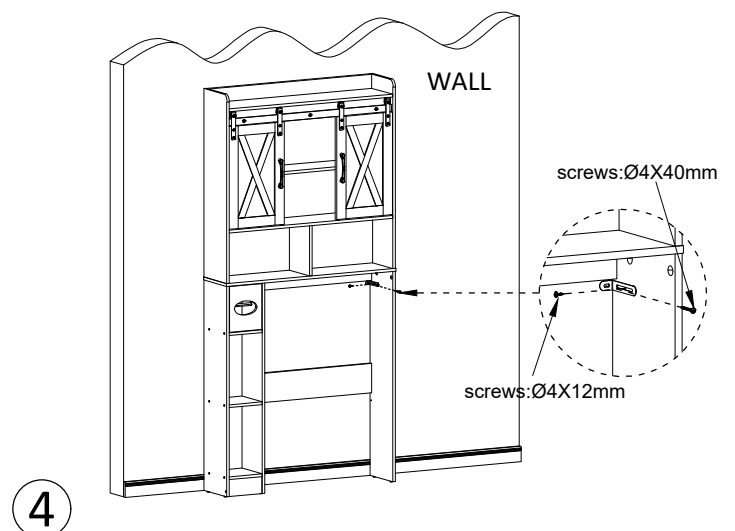
2. Use an electric drill to drill 2 holes with a diameter of  $\varnothing 6$  and a depth of 45mm at the marked location.

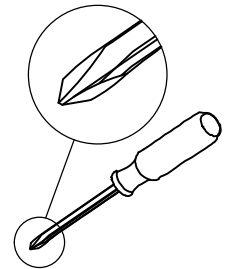


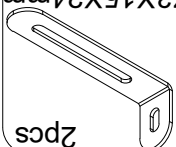


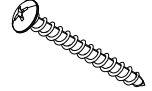
3. Place anchors (19) into the hole.



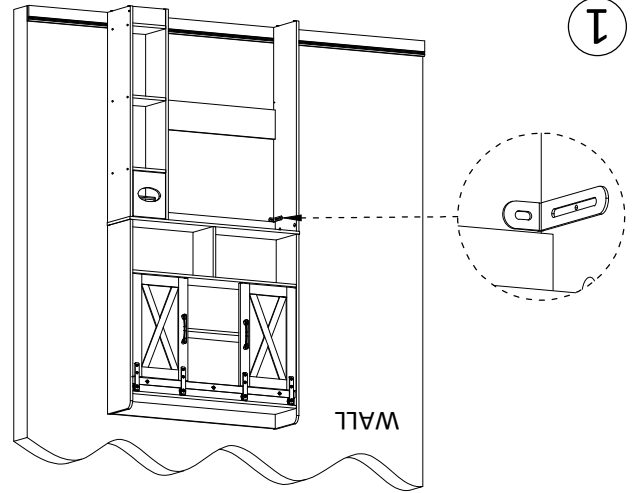
4. Push the shelf close to the wall, align it with the holes, and then tighten it with screws (19).





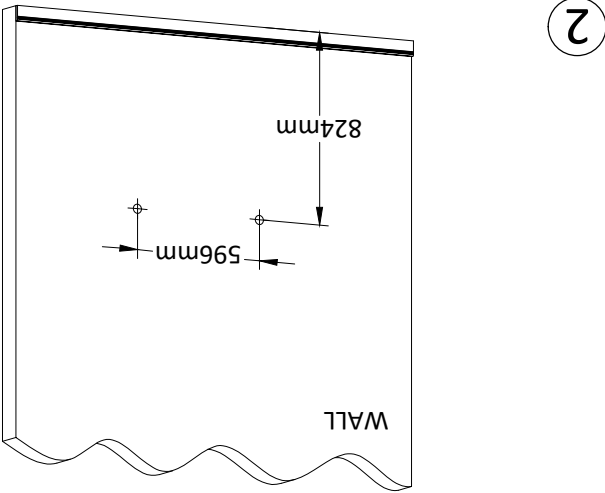
X1 set		19	
2pcs	2pcs	2pcs	2pcs
			
73X15X24mm	Ø8X29mm	Ø4X12mm	Ø4X40mm

1. Put the cabinet against the wall and mark the hole locked against the wall with a marker.



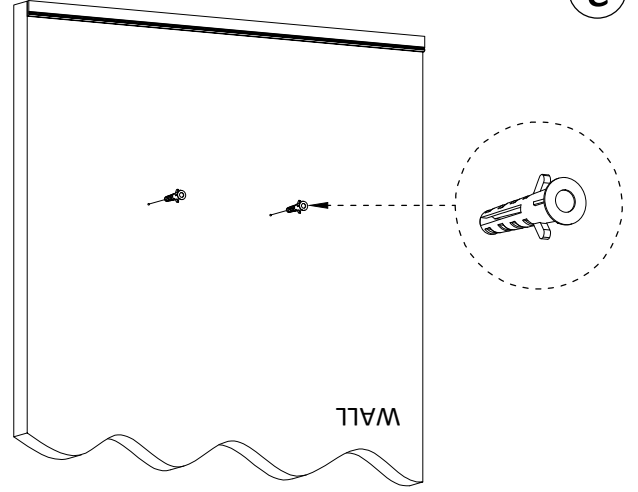
1

2. Use an electric drill to drill 2 holes with a diameter of  $\varnothing 6$  and a depth of 45mm at the marked location.



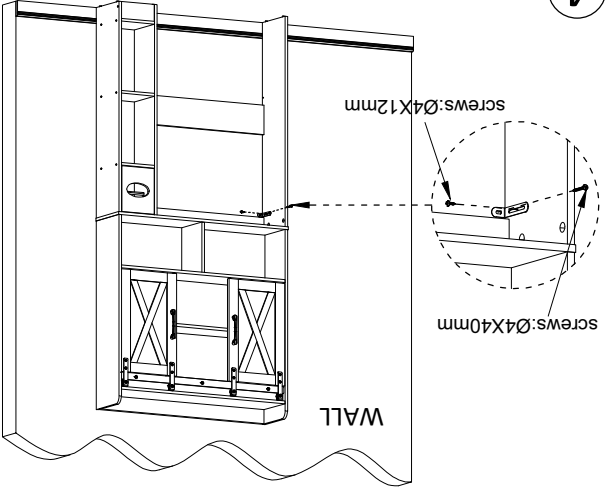
2

3. Place anchors (19) into the hole.

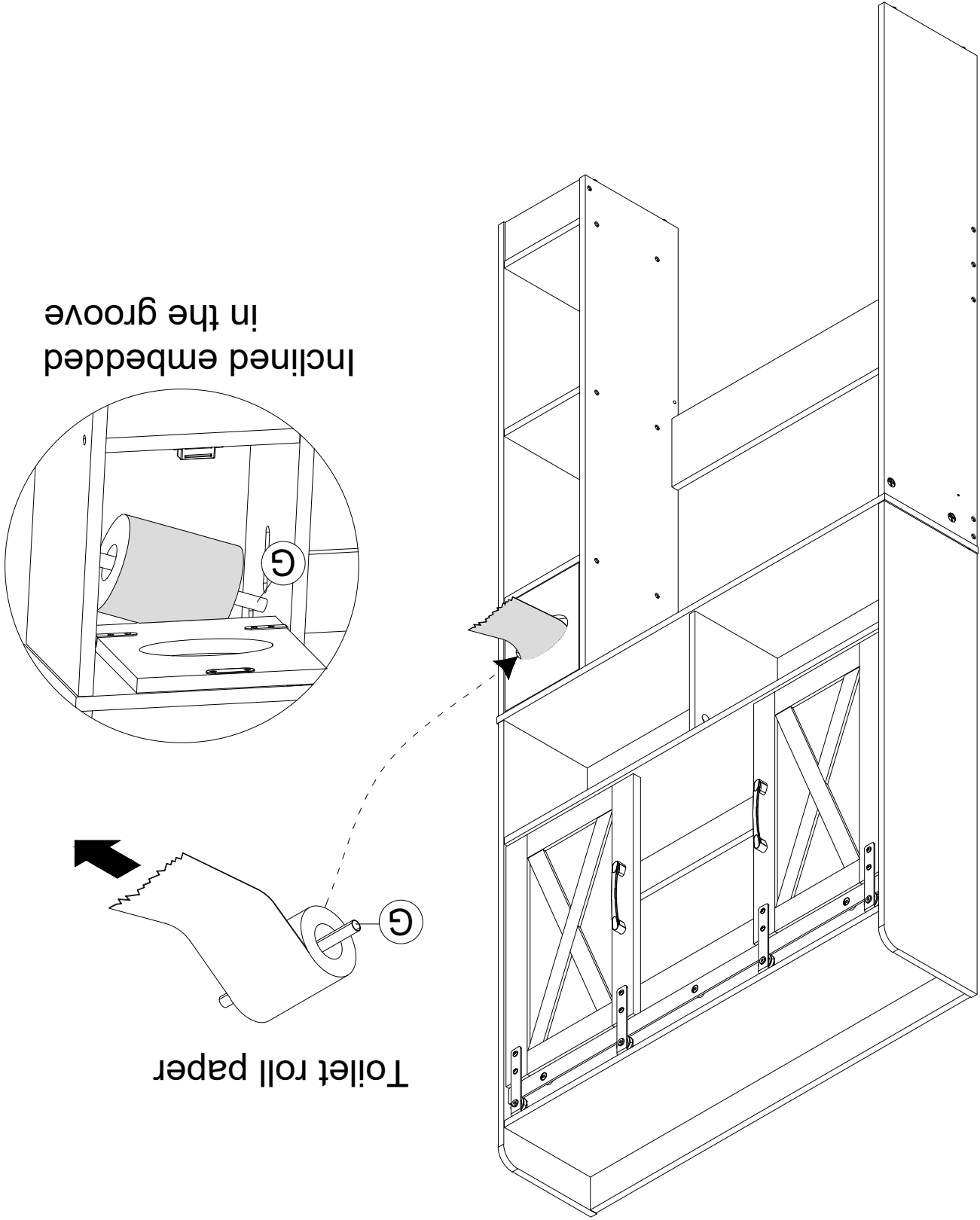


3

4. Push the shelf close to the wall, align it with the holes, and then tighten it with screws (19).



4

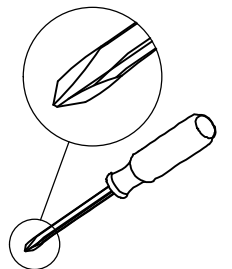


Inclined embedded  
in the groove

Toilet roll paper

# STEP21

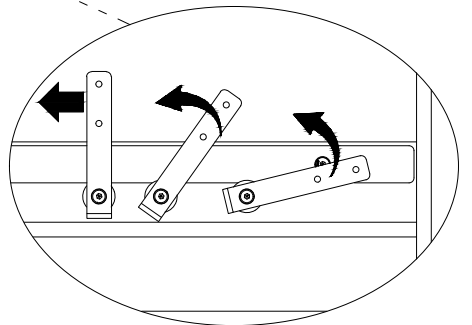
# LEFT MOUNTED



18	X4
119X20X14mm	

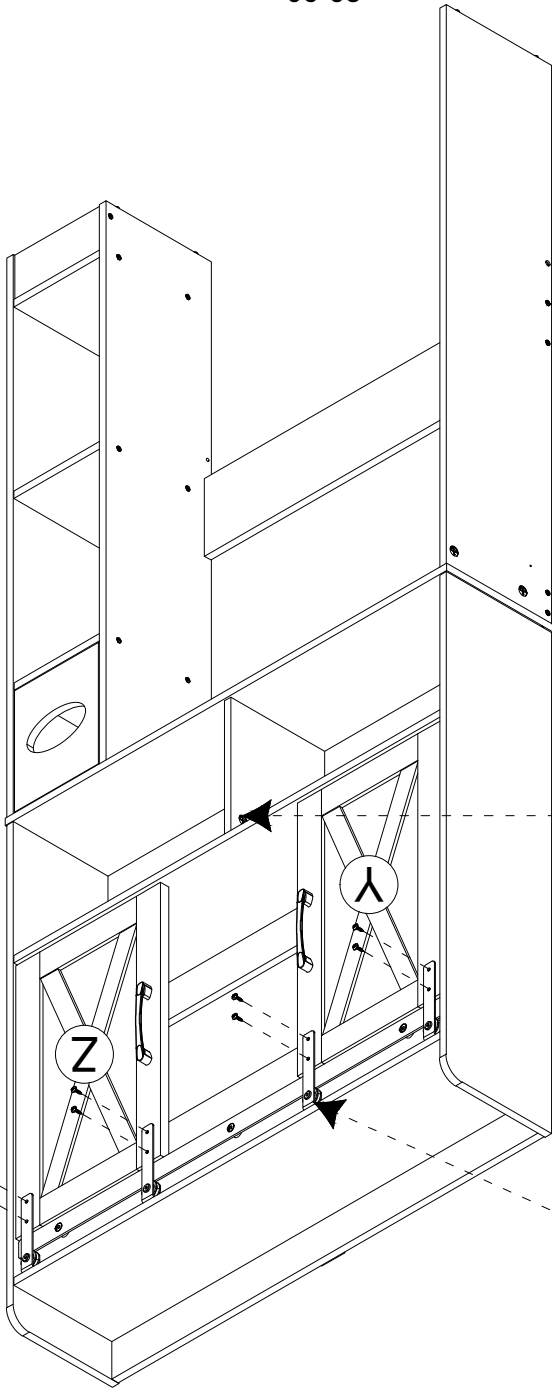
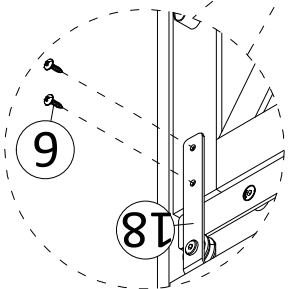
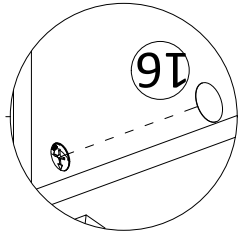
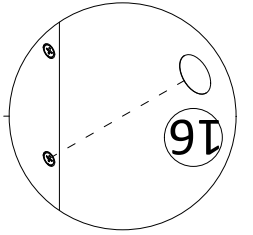
6	X8
Ø4X14mm	

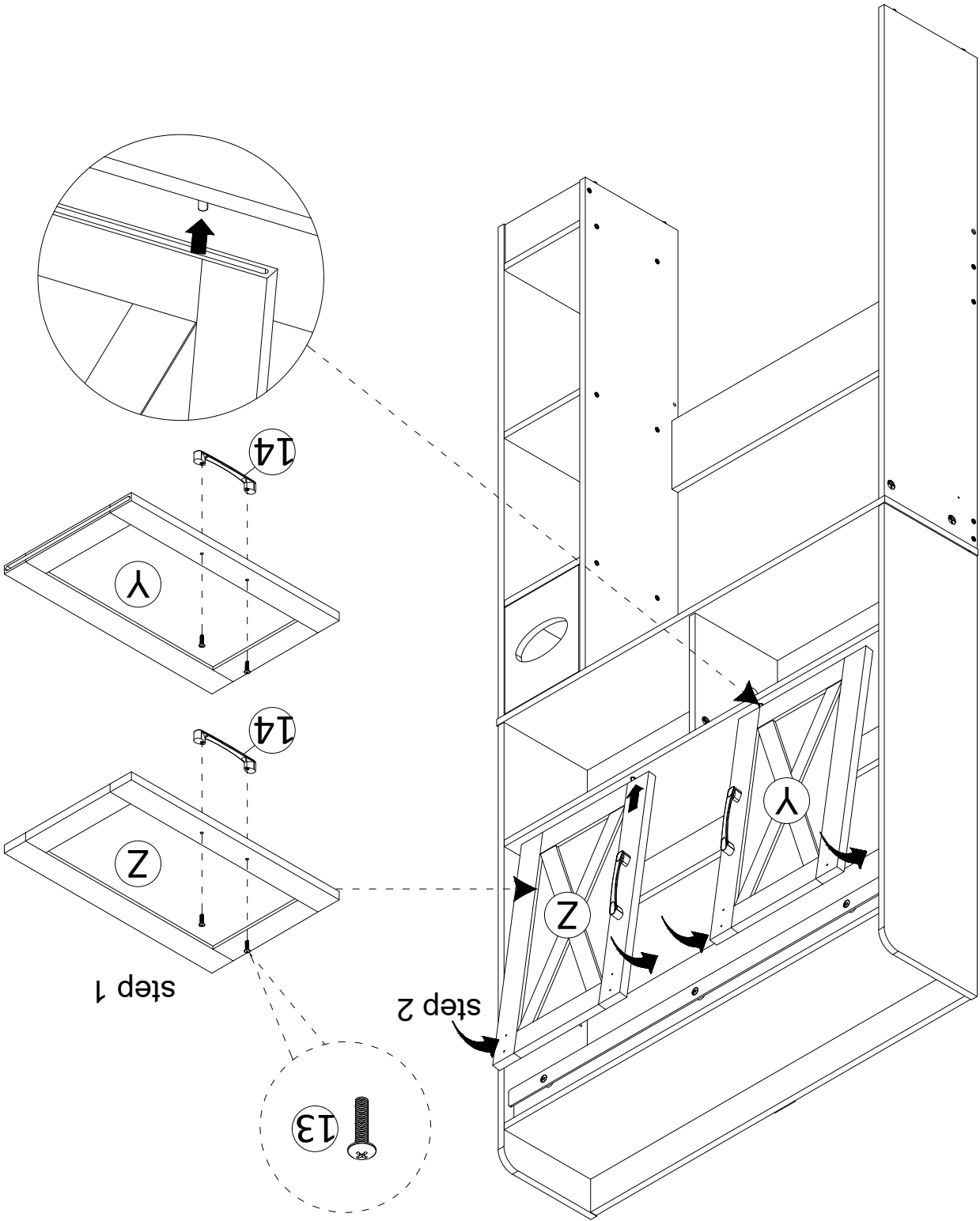
16	X37
Ø21mm	



Stick the exposed holes of the cabinet body with hole stickers (16)

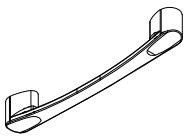
Stick the exposed holes of the cabinet body with hole stickers (16)




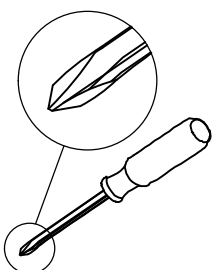


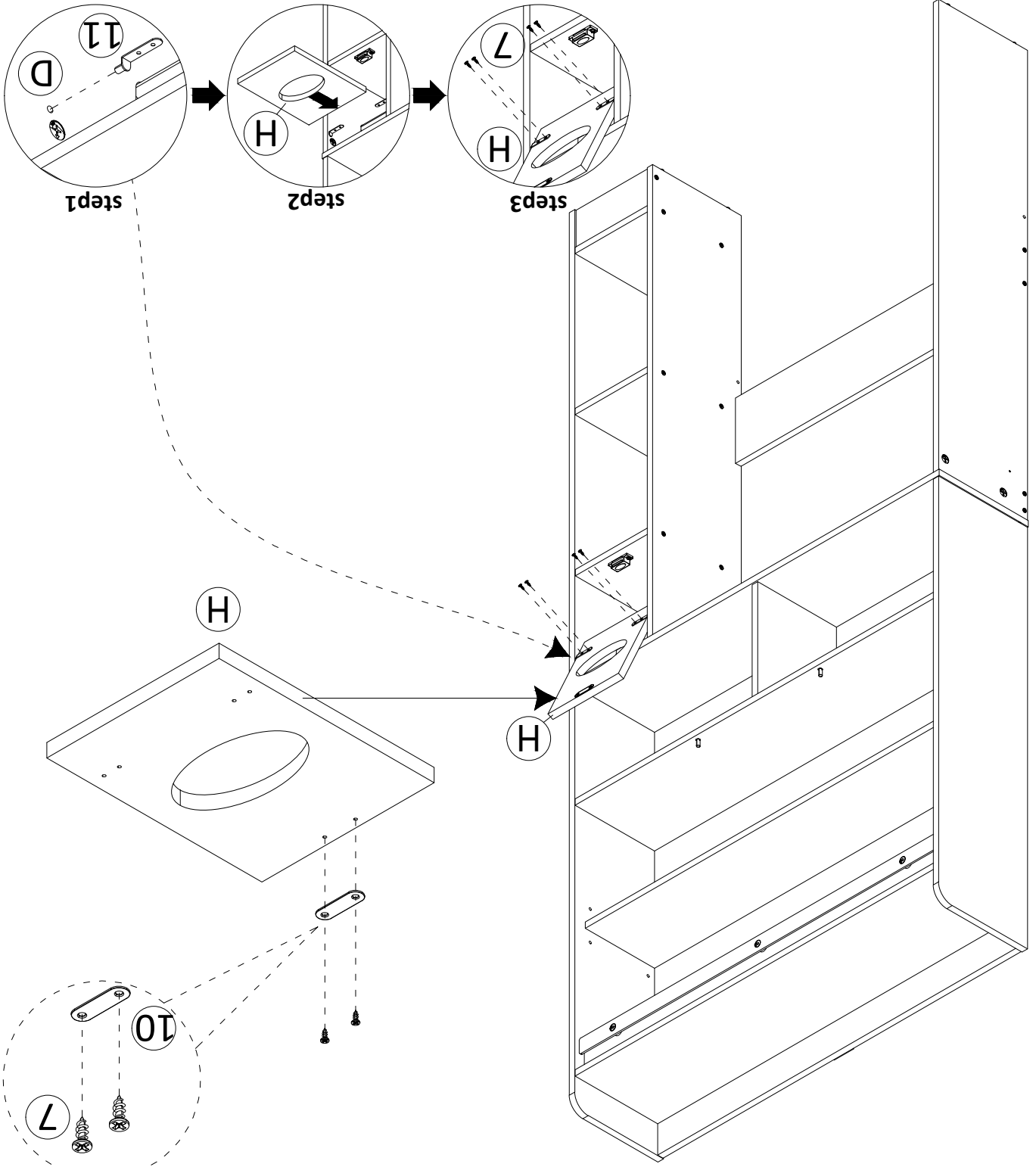
step 1

step 2

	<b>14</b>
127X12X21mm	X2

	<b>13</b>
M4X19mm	X4

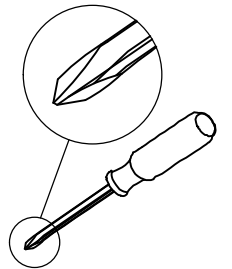


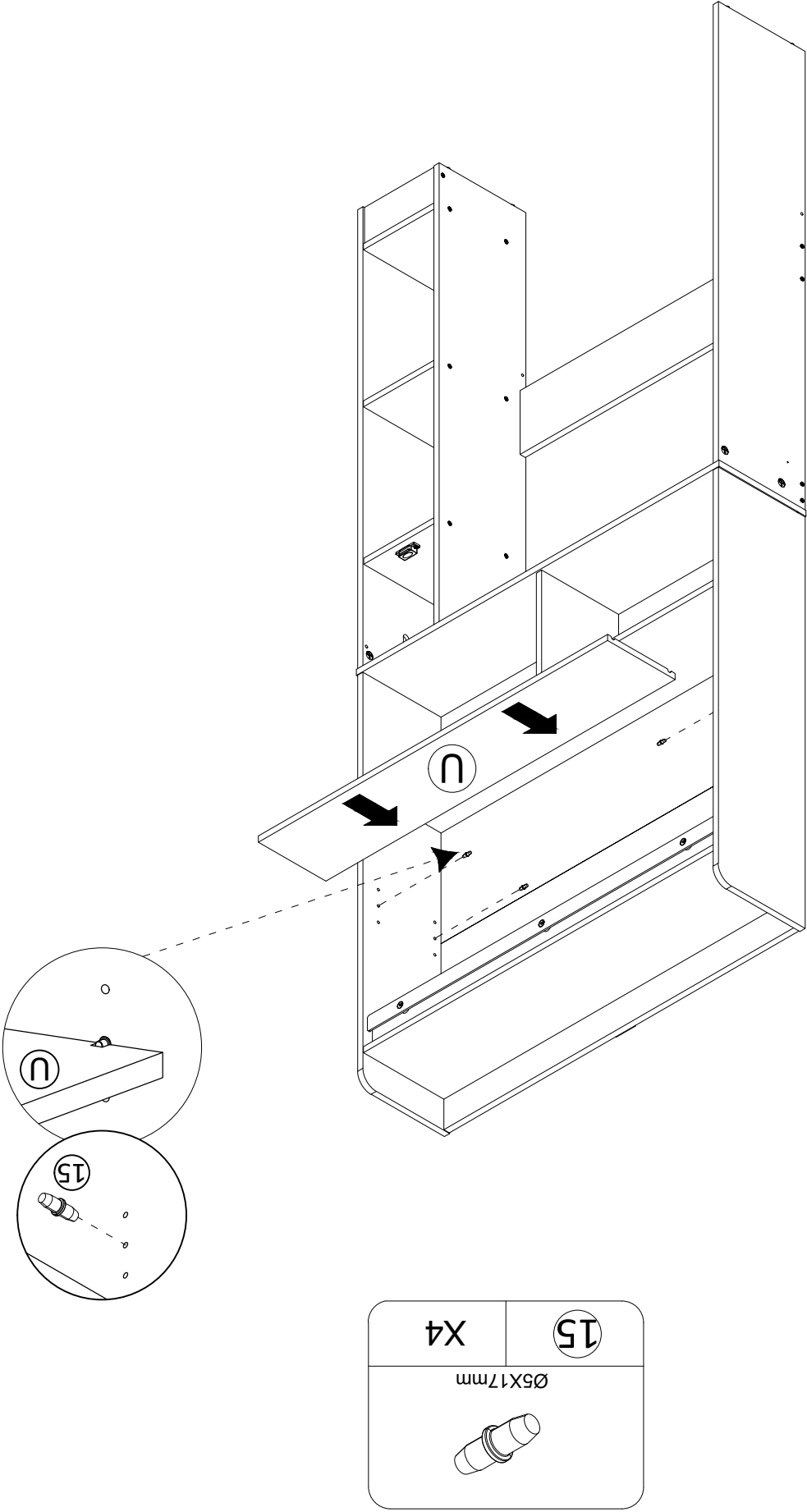


<b>X2</b>	<b>11</b>
43X8X9.5mm	


<b>X6</b>	<b>7</b>
Ø3X10mm	

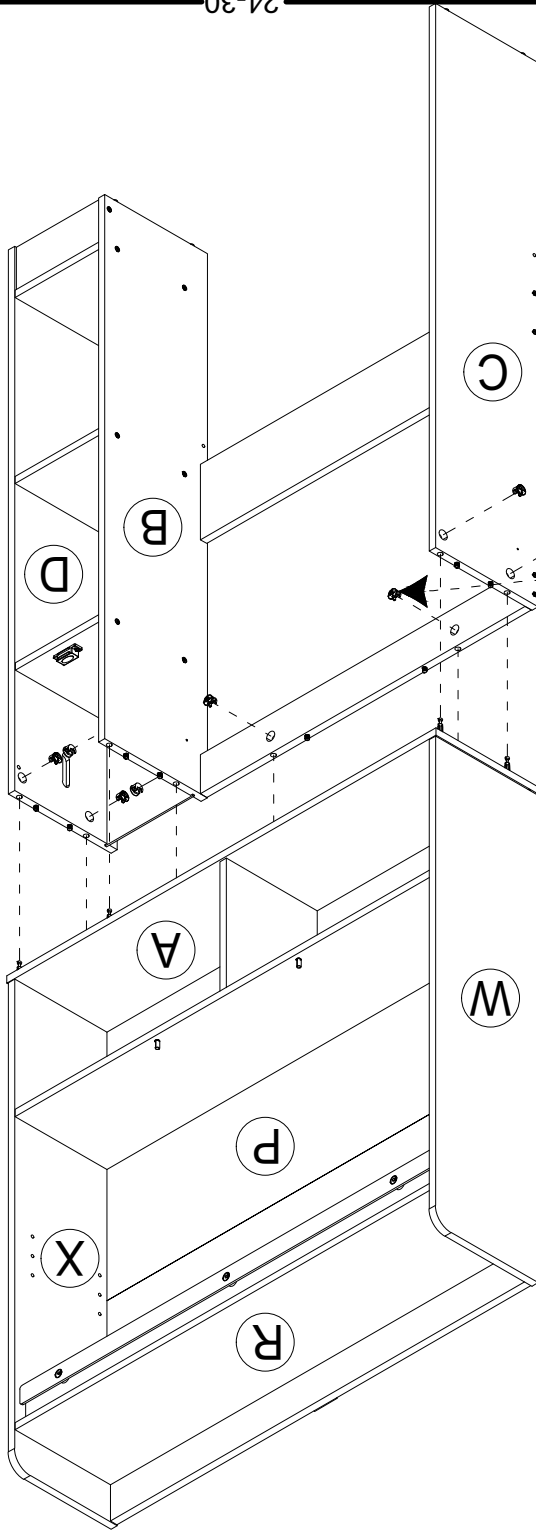
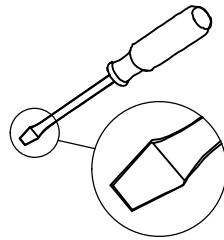
<b>X1</b>	<b>10</b>
39.5X12X1mm	



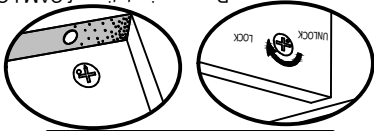


THIS STEP REQUIRES 2 PEOPLE

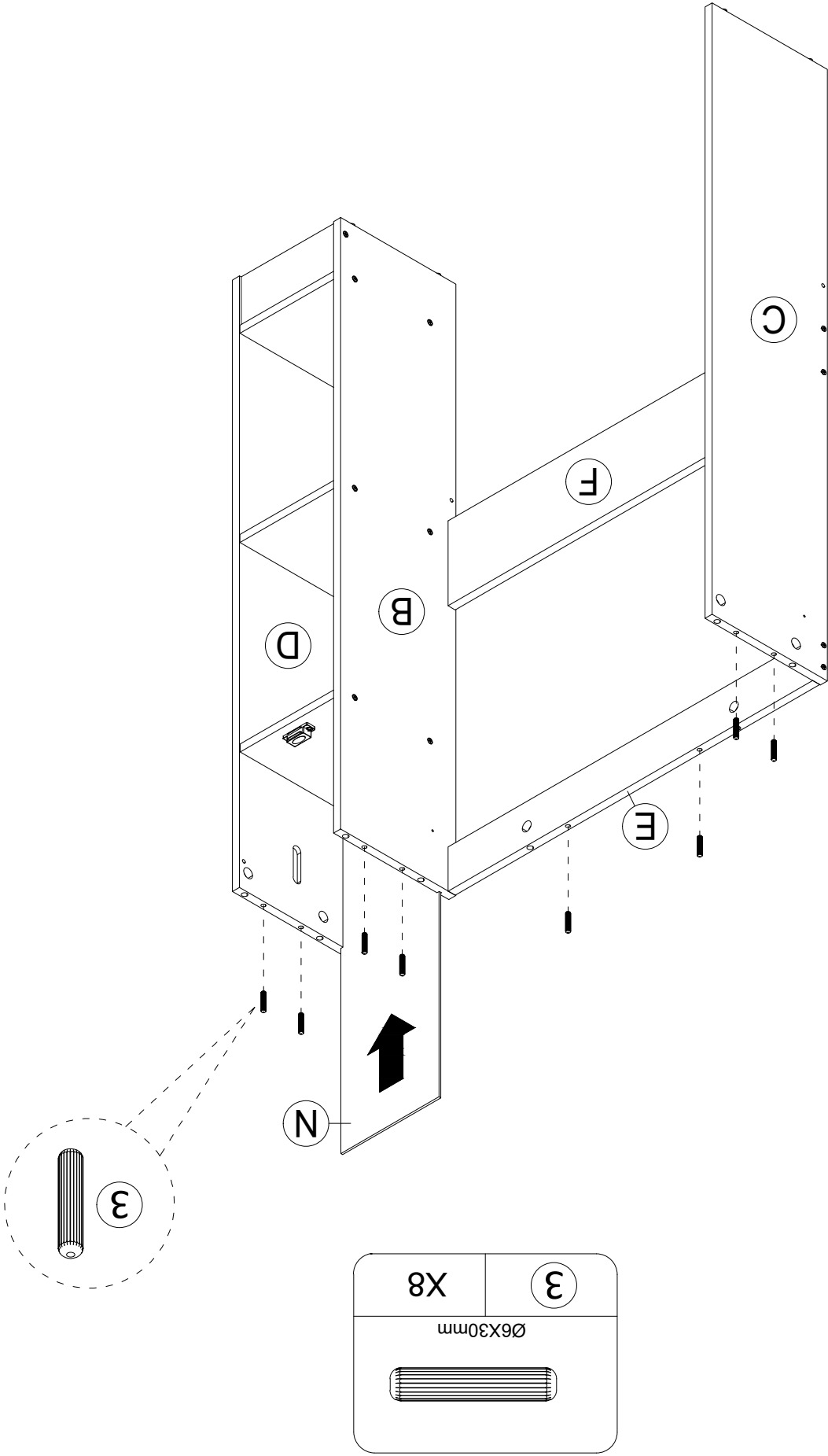
	$\varnothing 15 \times 9,5 \text{ mm}$	1	X8
---	--	---	----

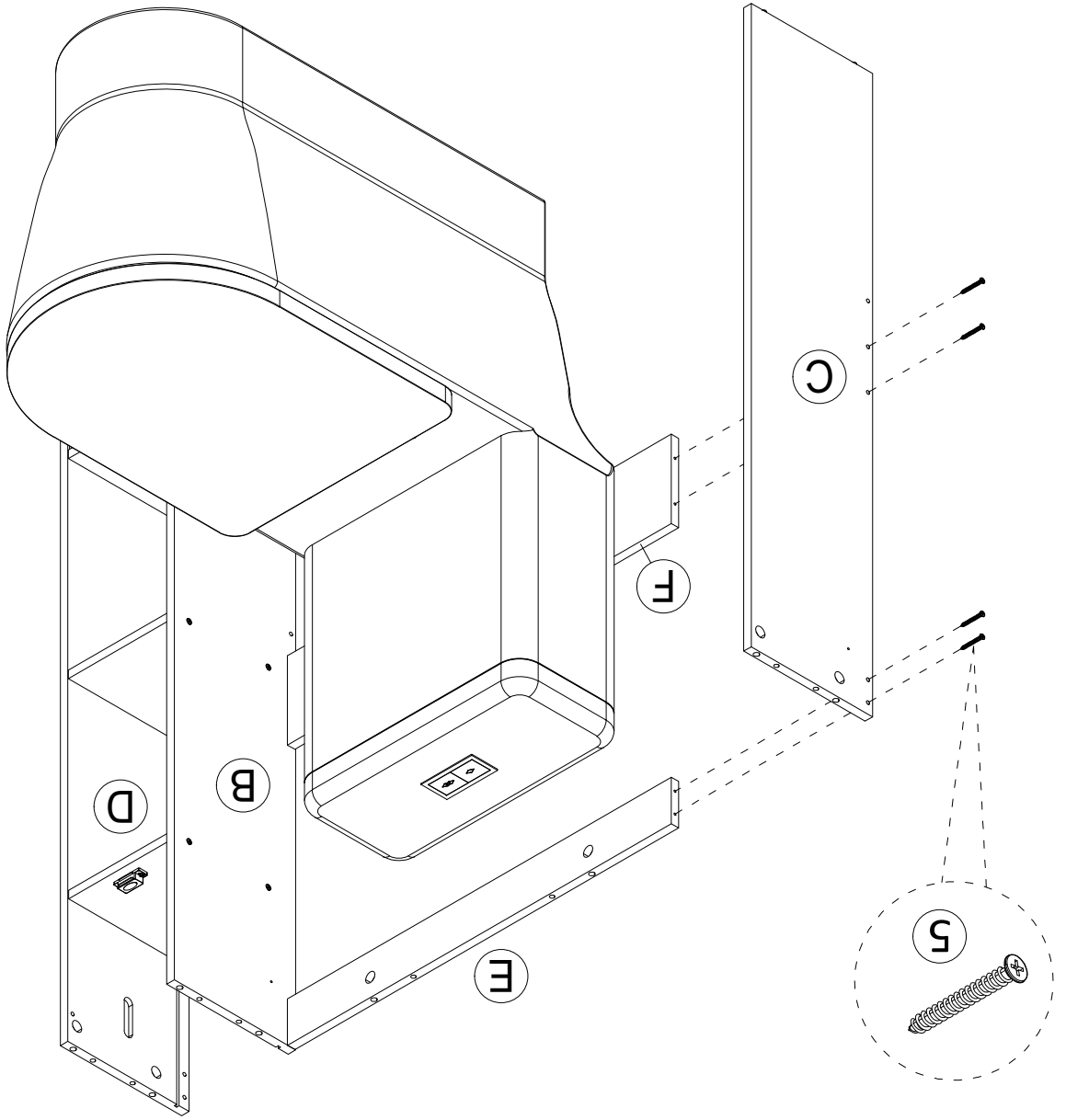


Insert the cam bolt into the hole first, then insert the cam lock and lock it.

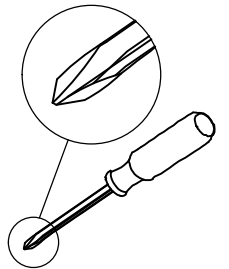
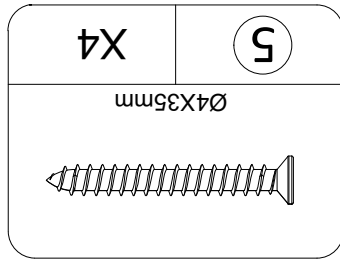
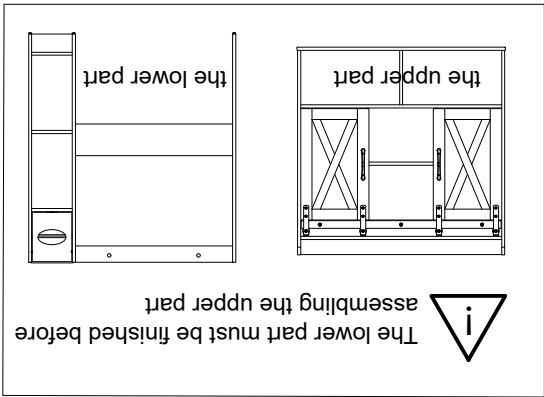


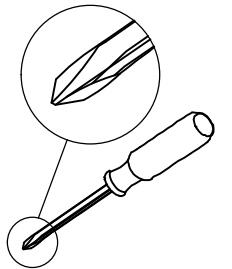
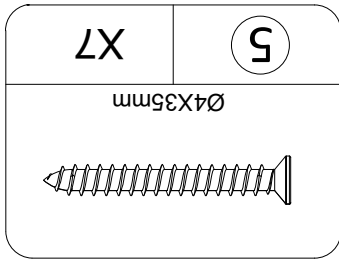
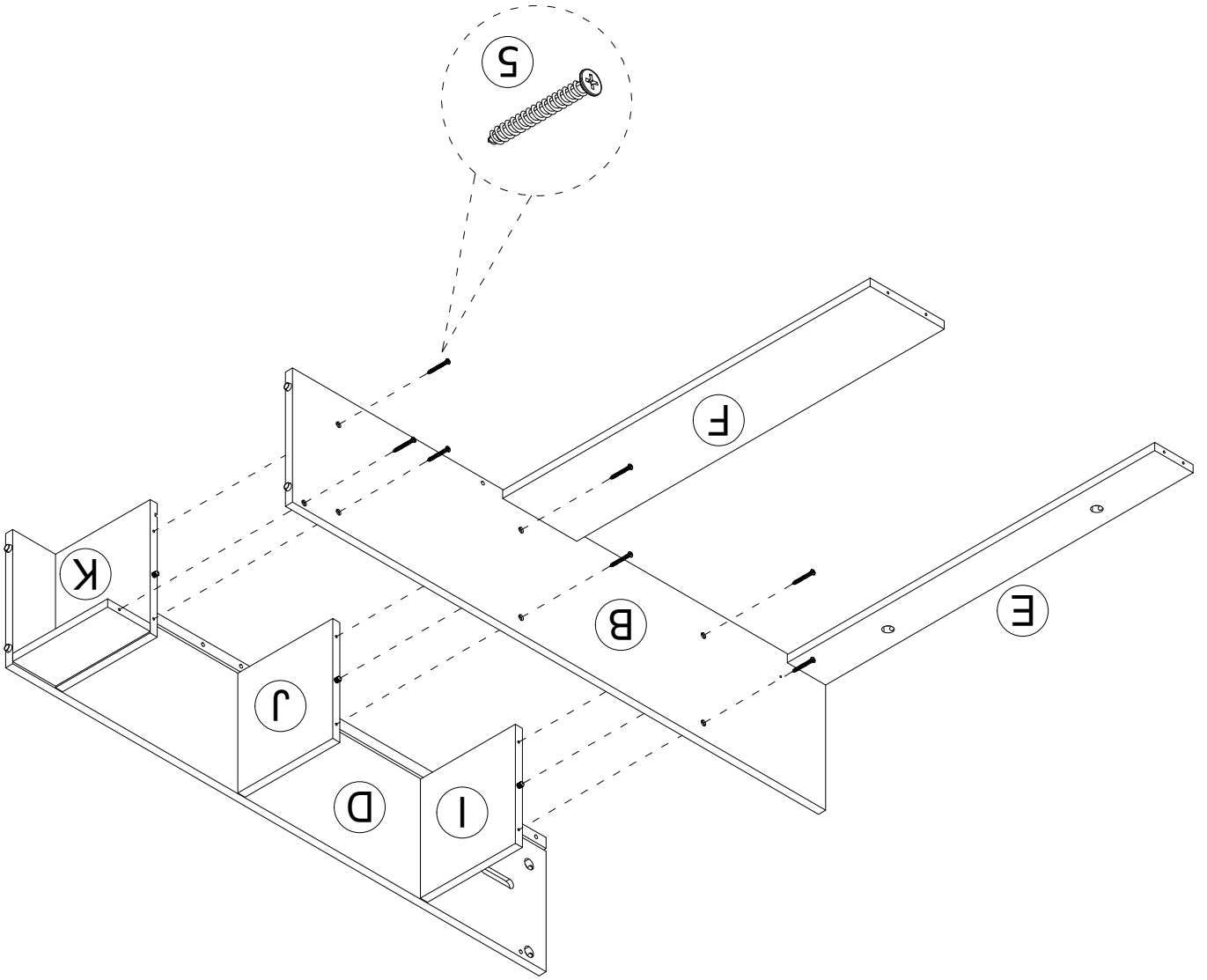
Proper orientation of CAM LOCK





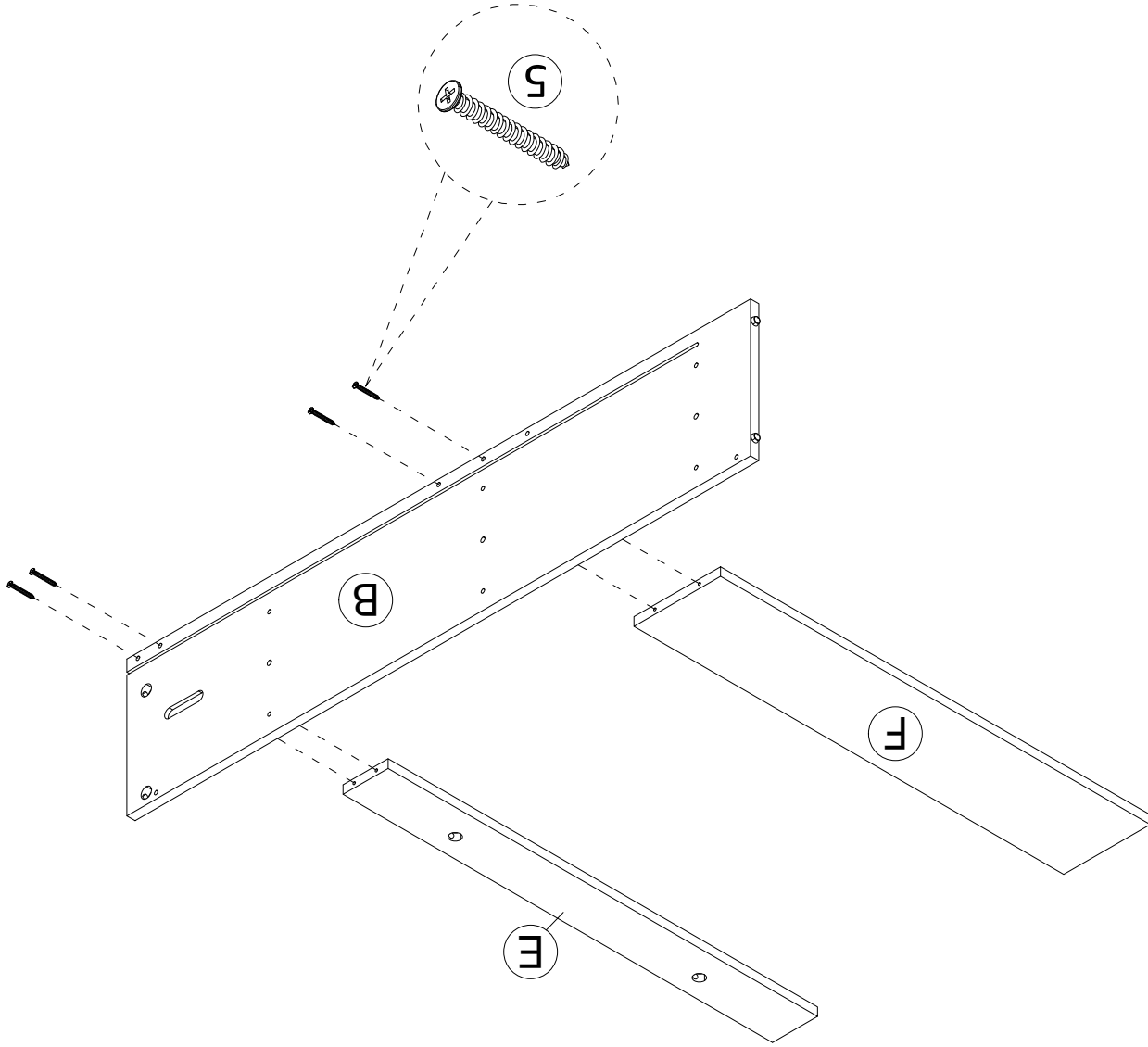
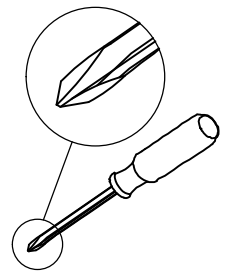
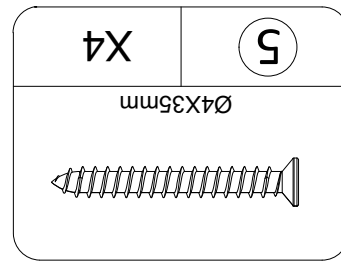
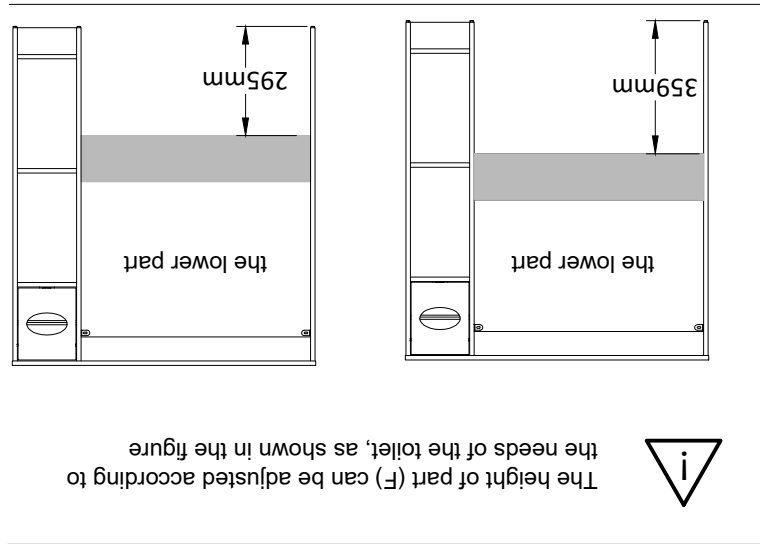
THIS STEP REQUIRES 2 PEOPLE

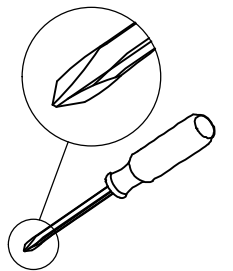
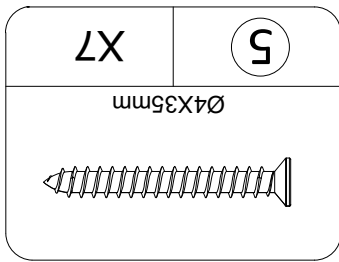
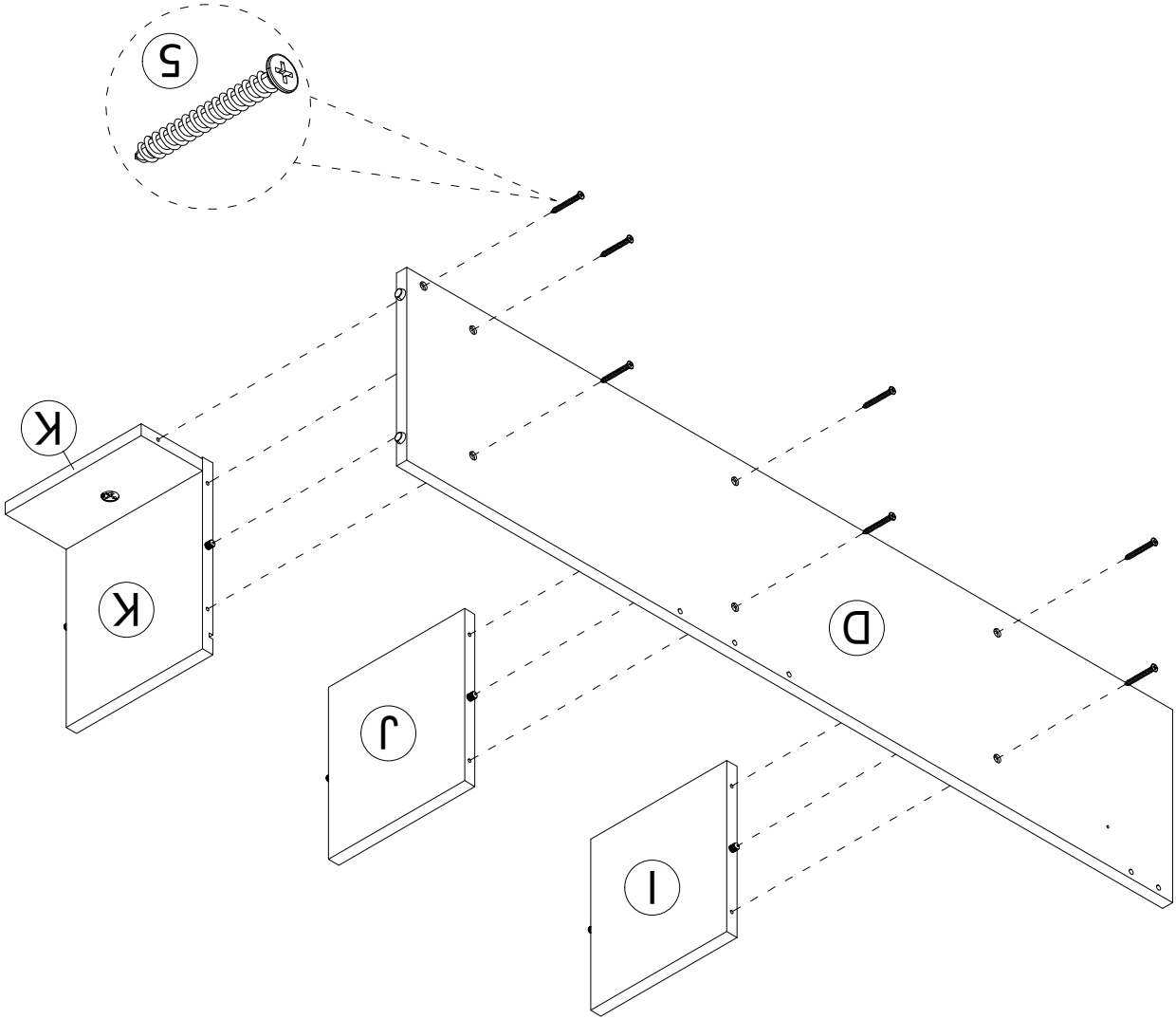


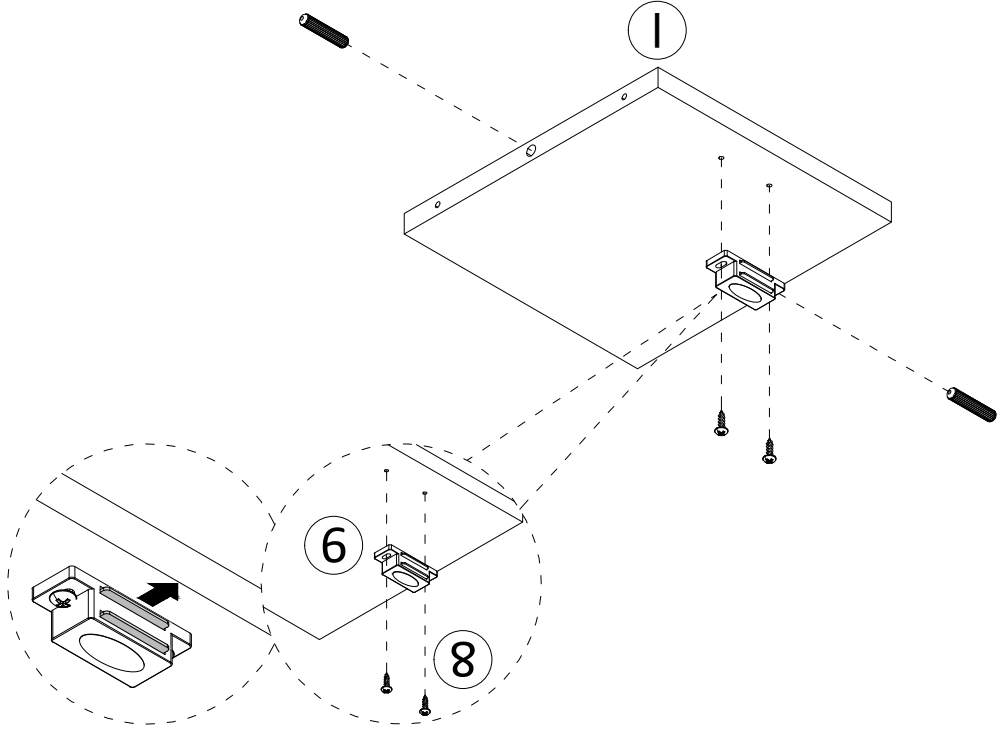


# LEFT MOUNTED

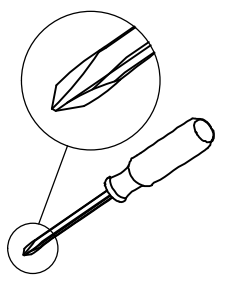
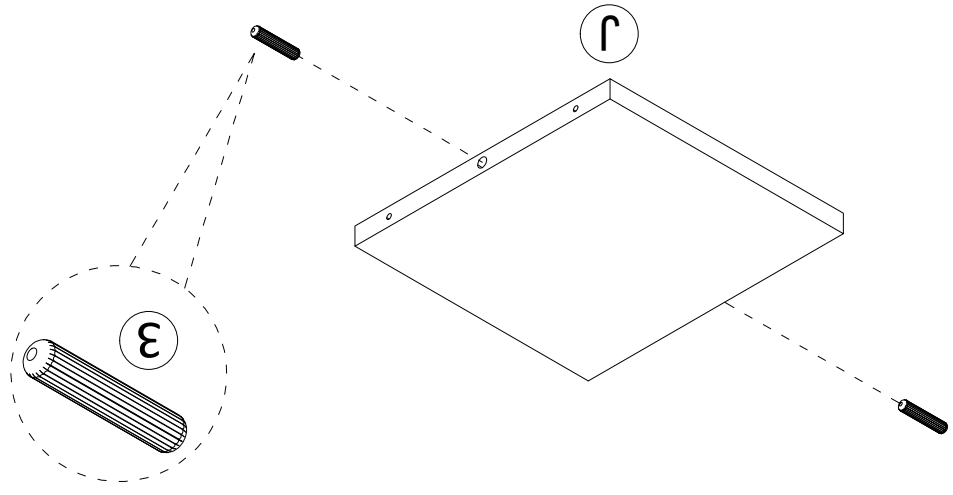
# STEP13








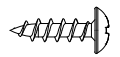
Note: Magnet facing forward

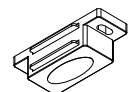


# STEP11

# LEFT MOUNTED

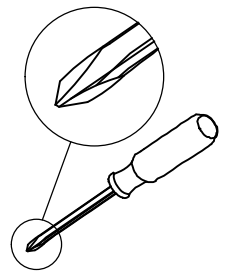
	3	X4
Ø6X30mm		

	8	X2
Ø3X12mm		

	9	X1
Ø41X16X13mm		

# STEP10

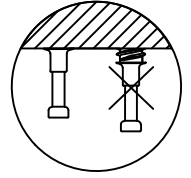
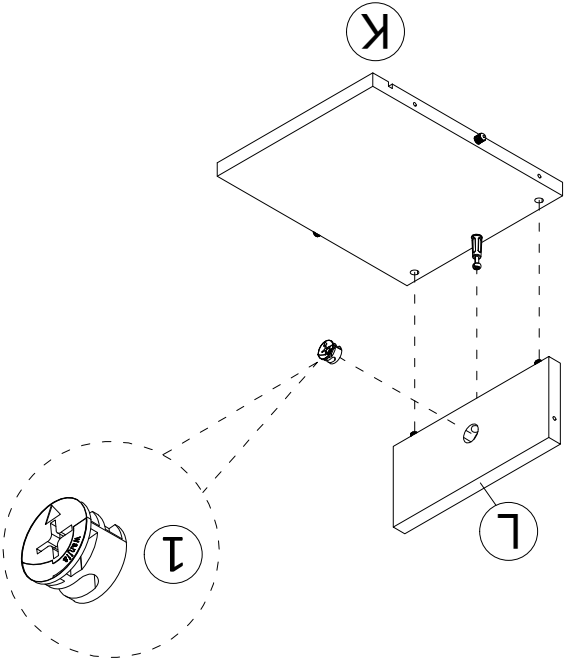
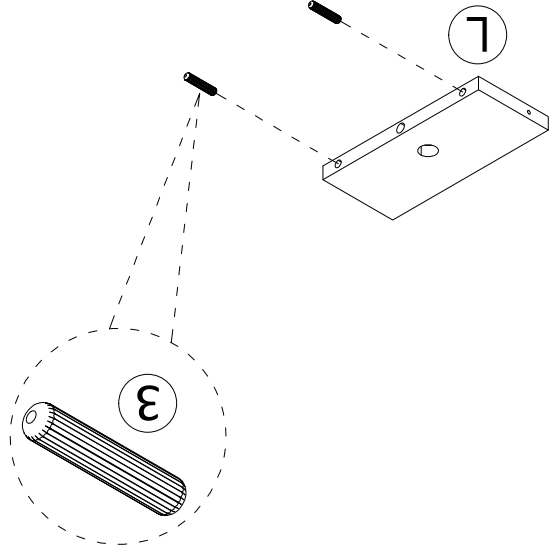
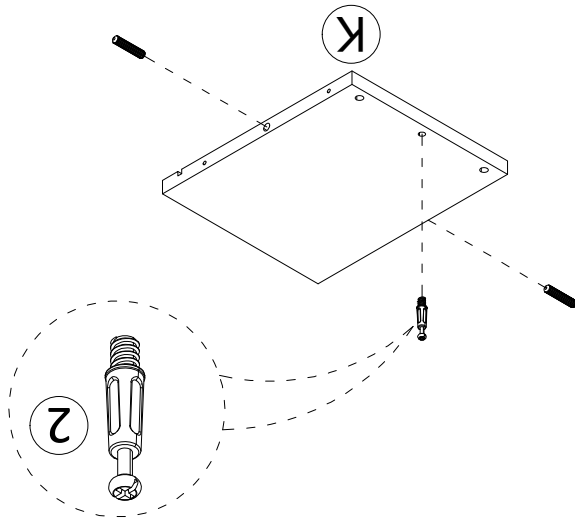
# LEFT MOUNTED



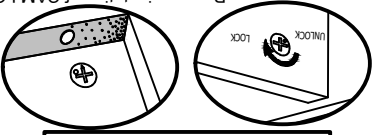
1	X1
Ø15X9,5mm	

2	X1
Ø6,5X35mm	

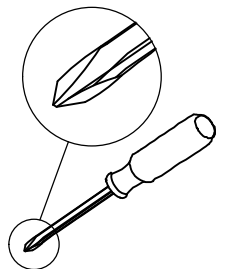
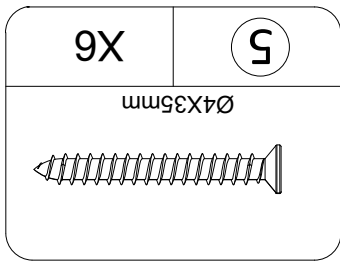
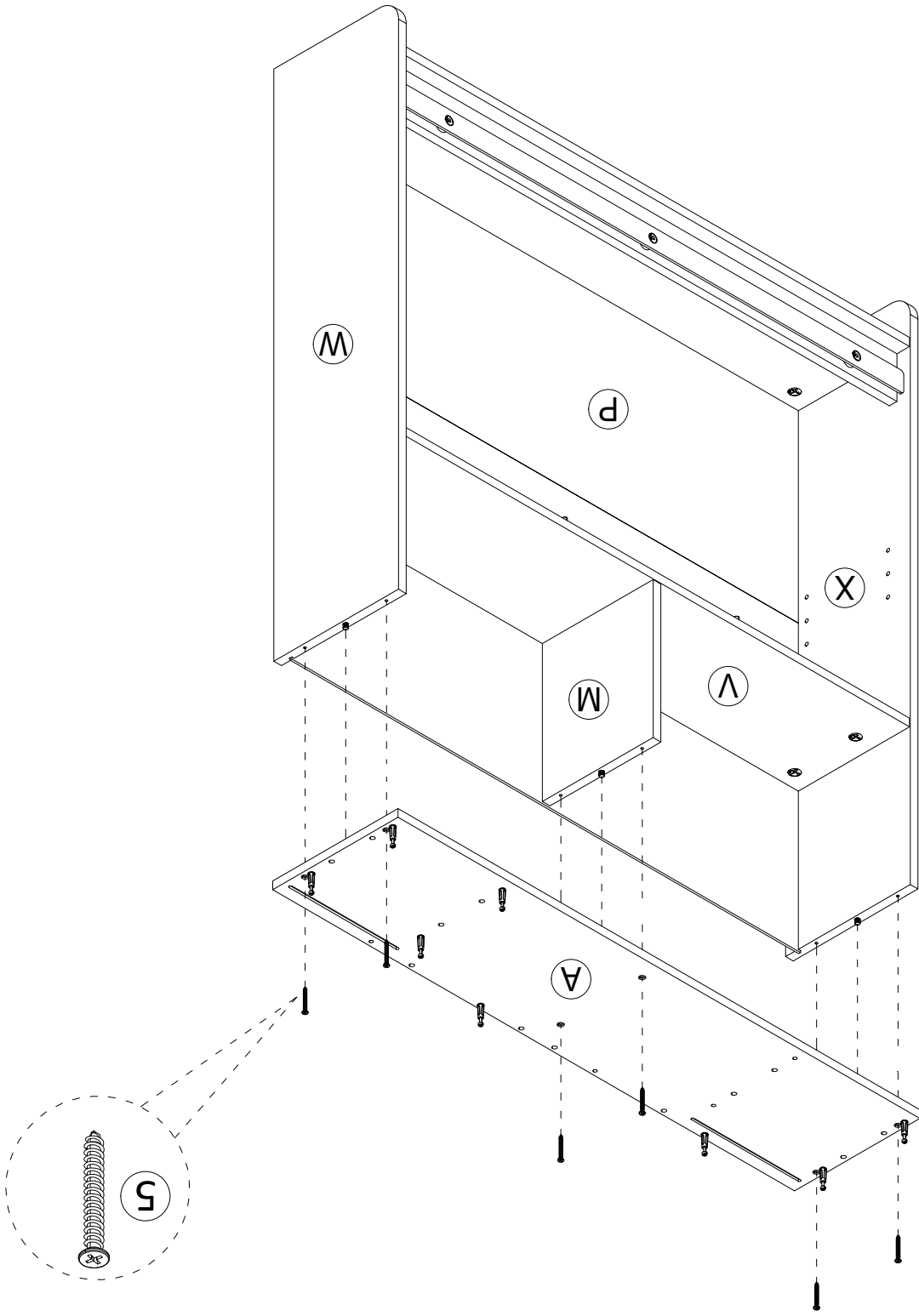
3	X4
Ø6X30mm	

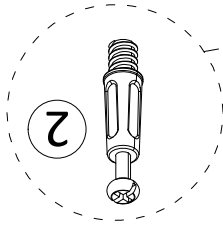
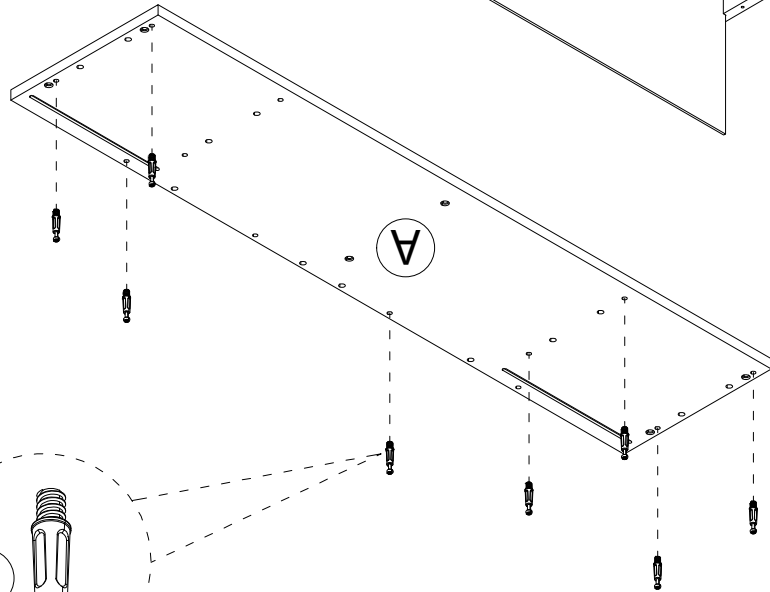
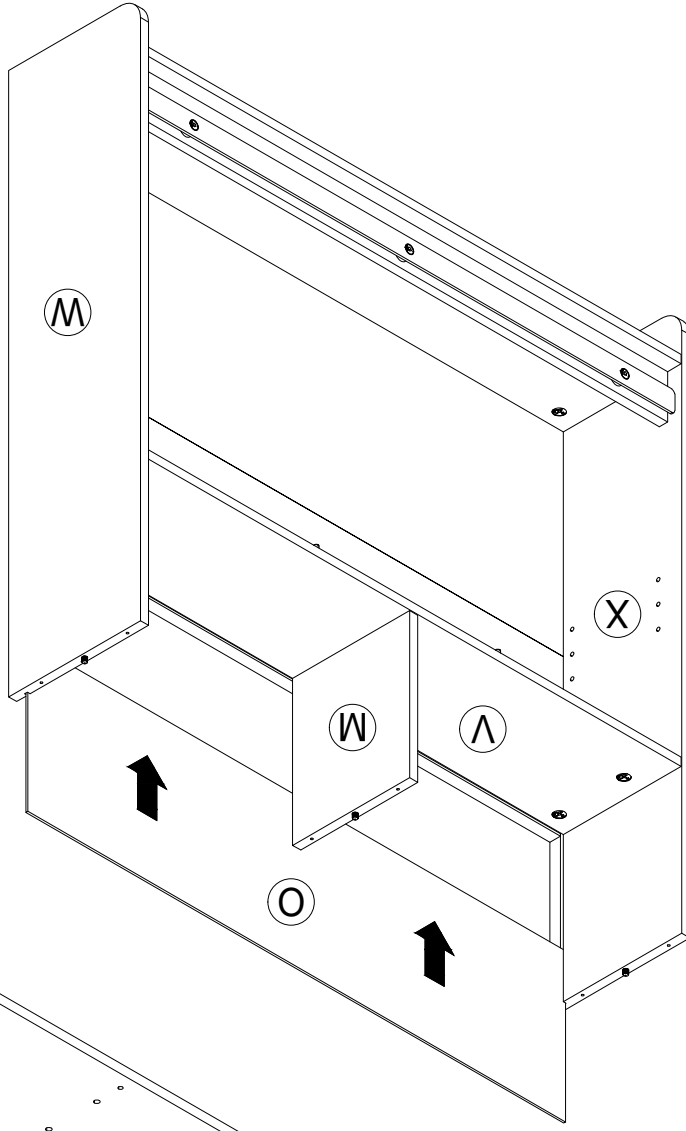
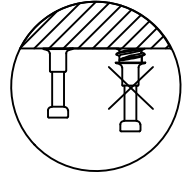


Insert the cam bolt into the hole first, then insert the cam lock and lock it.

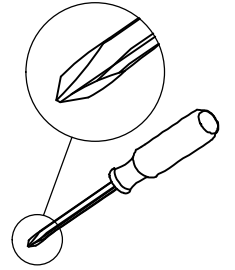


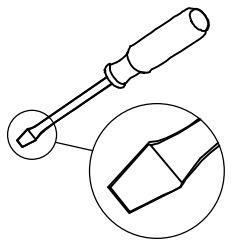
Proper orientation of CAM LOCK




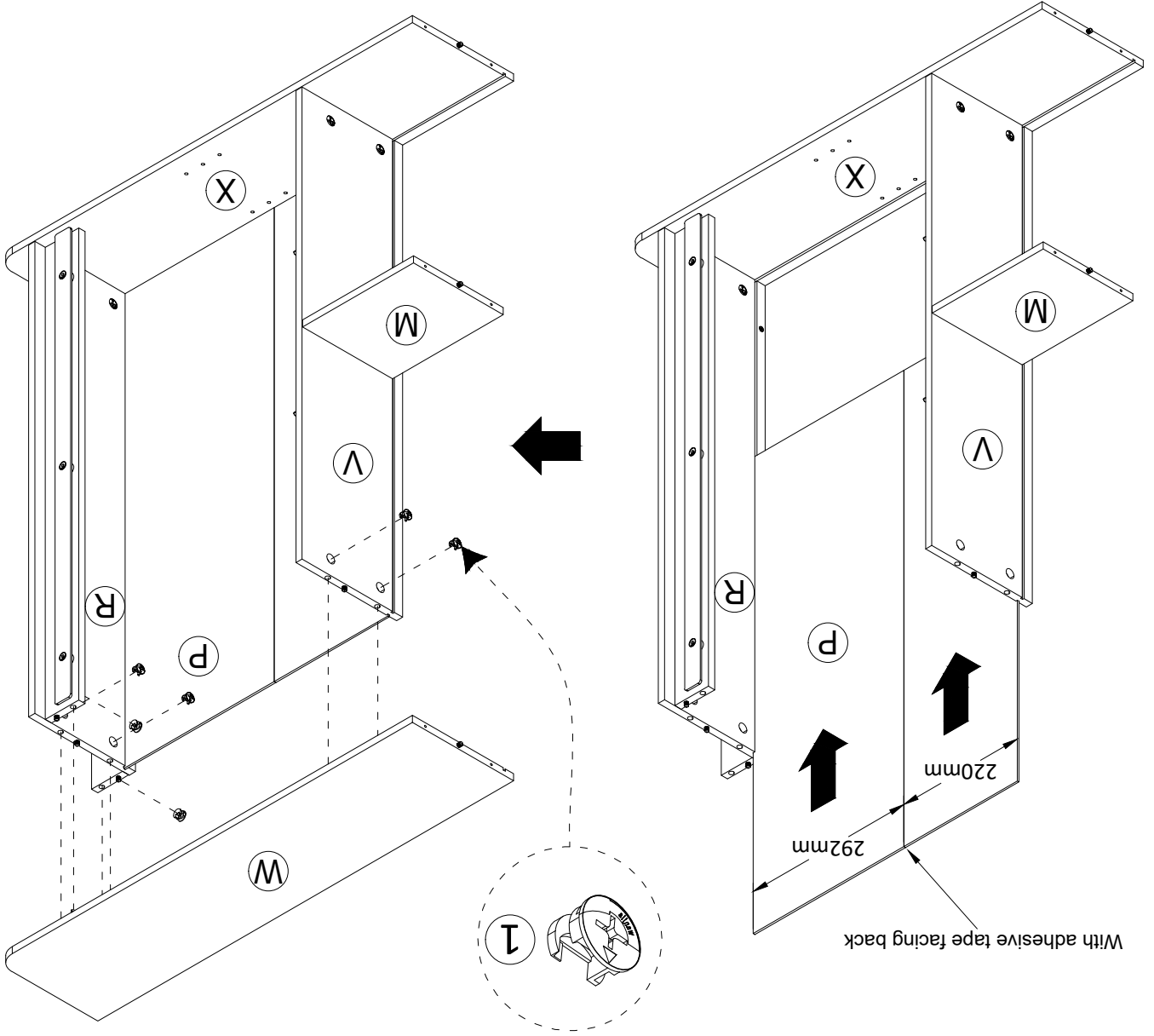


8X	2
Ø6.3X35mm	

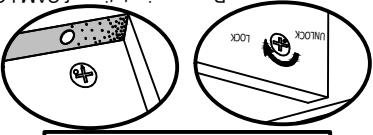




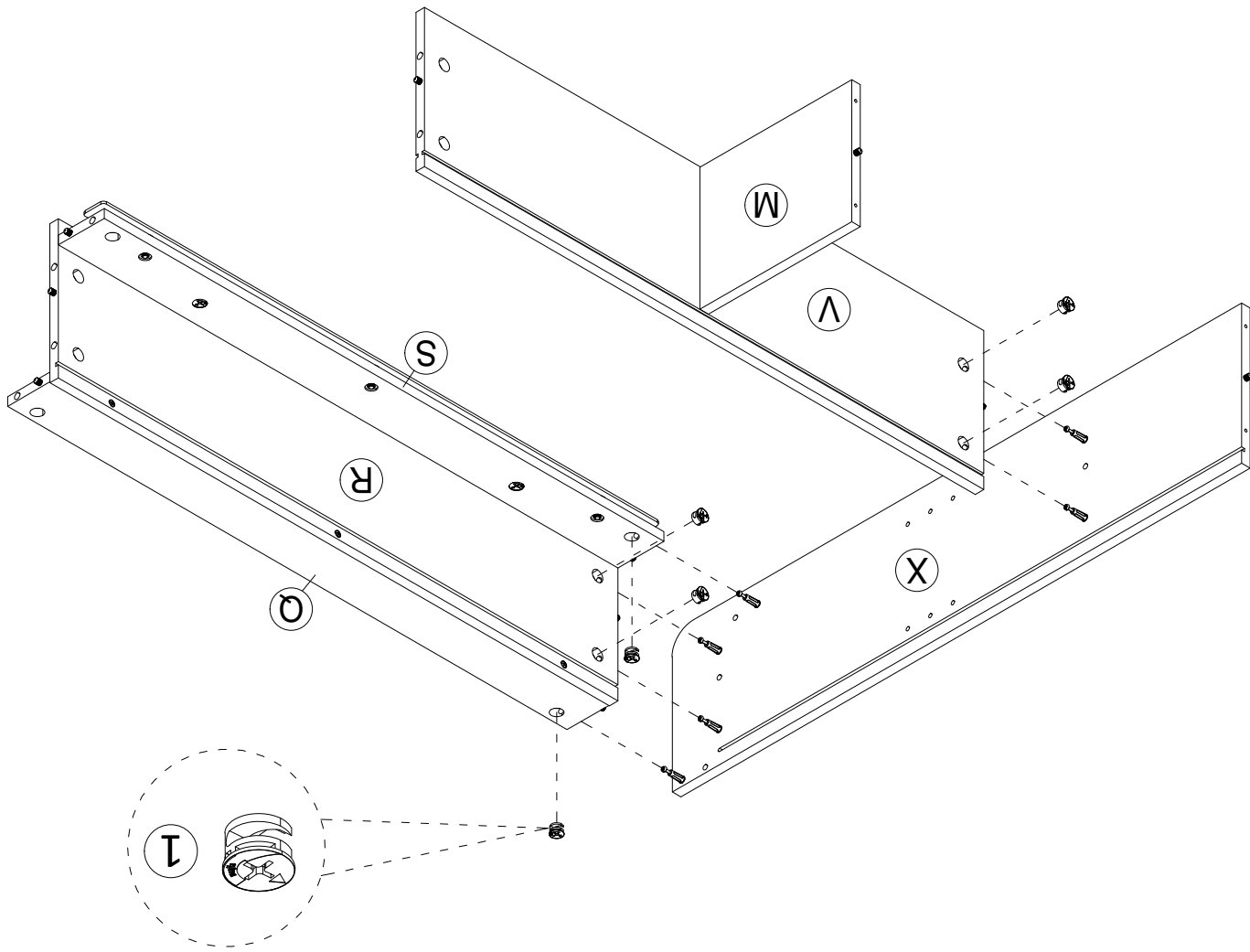
1	X6
 Ø15X9.5mm	




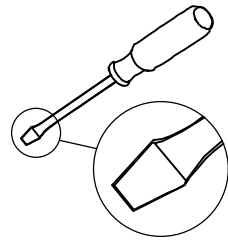
Insert the cam bolt into the hole first, then insert the cam lock and lock it.



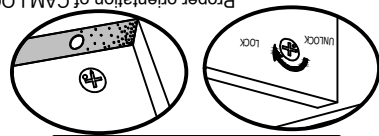
Proper orientation of CAM LOCK



Ø15X9.5mm	1	X6
		



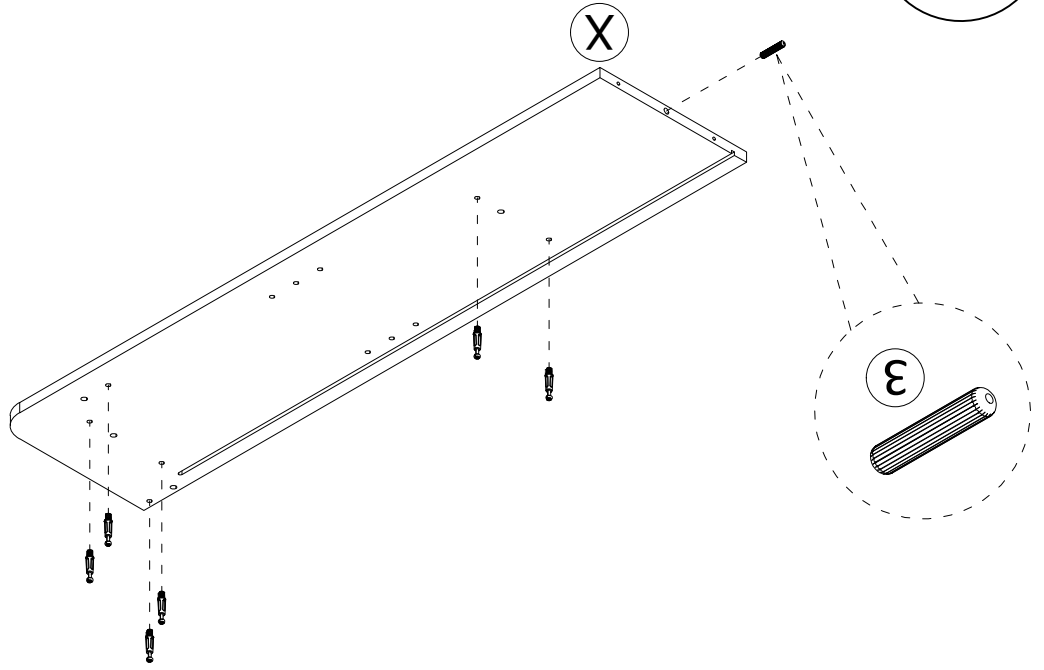
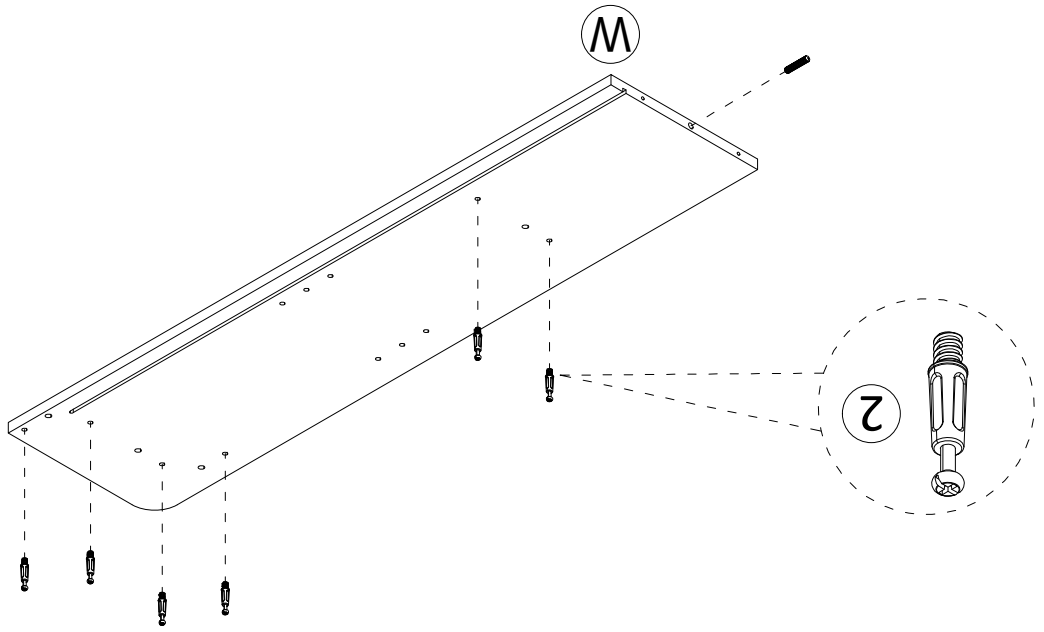
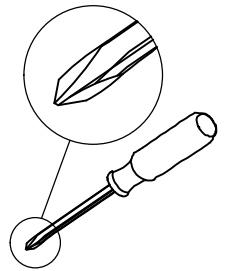
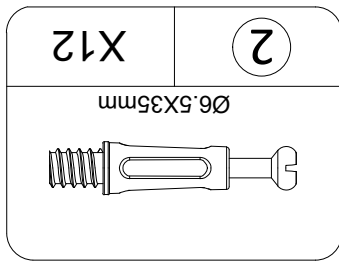
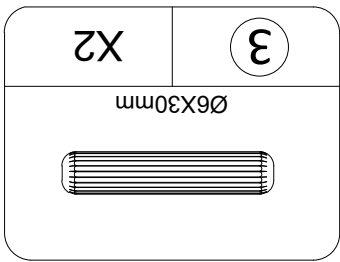
Insert the cam bolt into the cam lock and lock it.



Proper orientation of CAM LOCK

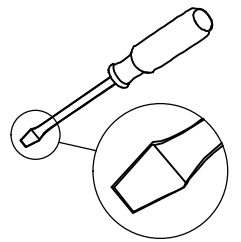
# LEFT MOUNTED

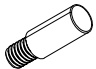
# STEPS





# STEP4

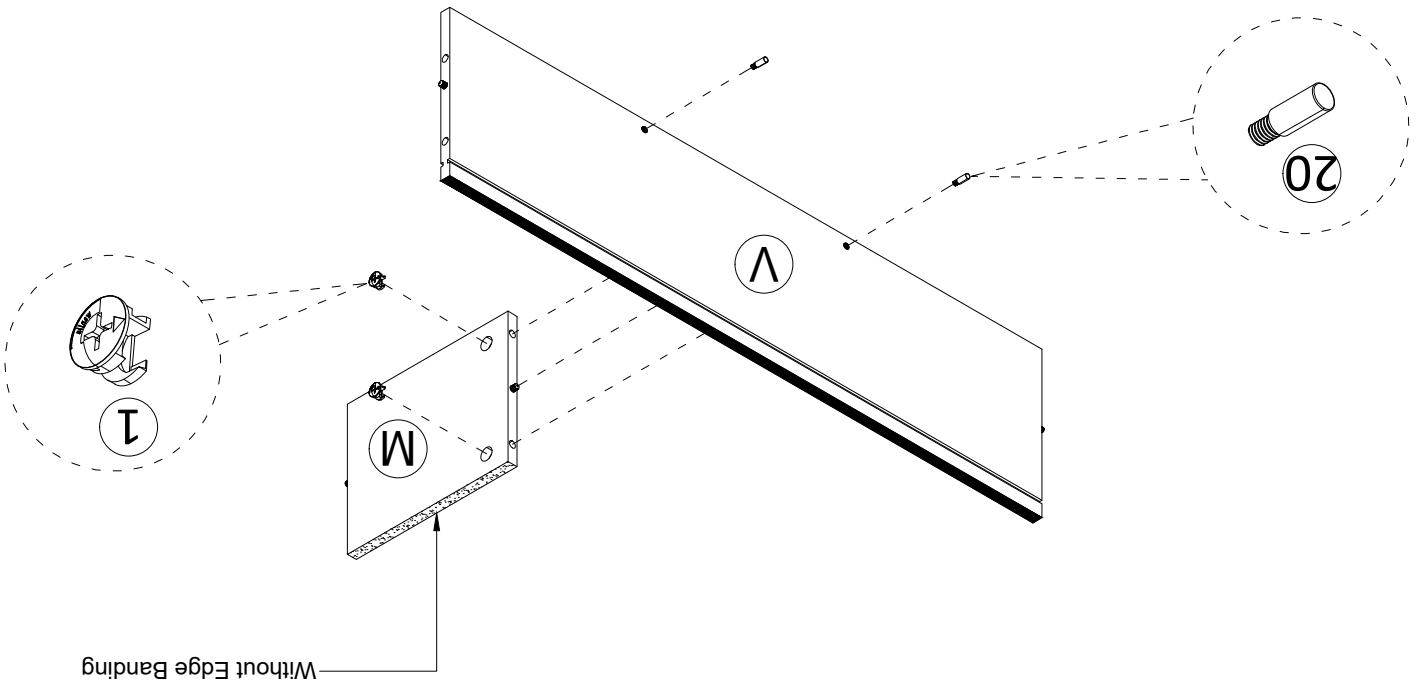
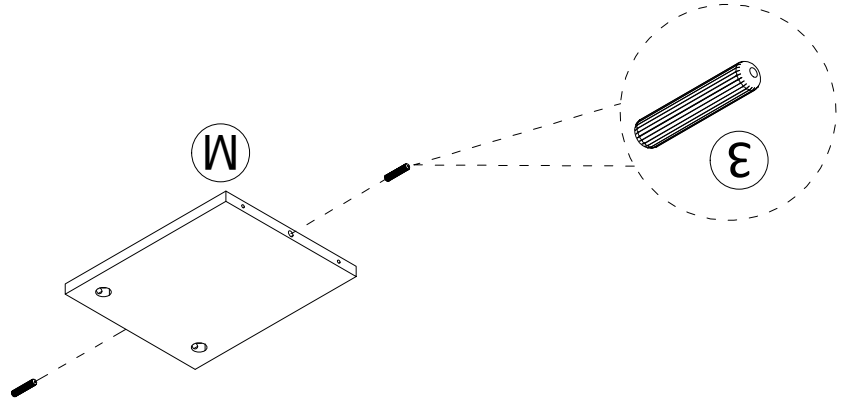
# LEFT MOUNTED



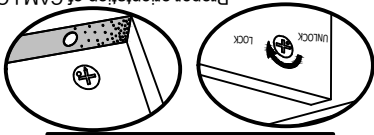
	Ø6X12mm	20	X2
---	---------	----	----

	Ø6X30mm	3	X2
---	---------	---	----

	Ø15X9.5mm	1	X2
---	-----------	---	----



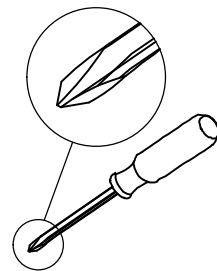
Insert the cam bolt into the hole first, then insert the cam lock and lock it.




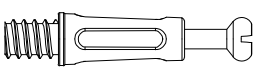
Proper orientation of CAM LOCK


# STEP3

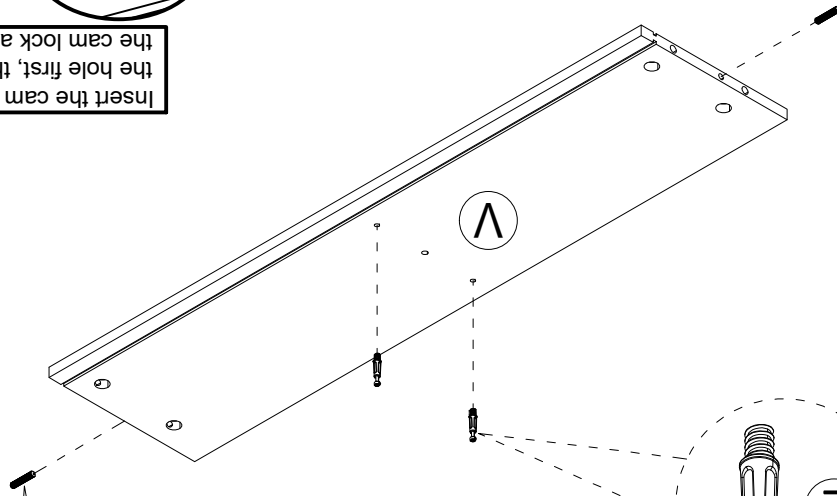
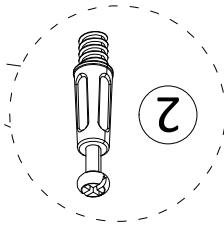
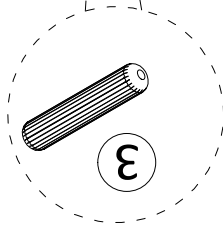
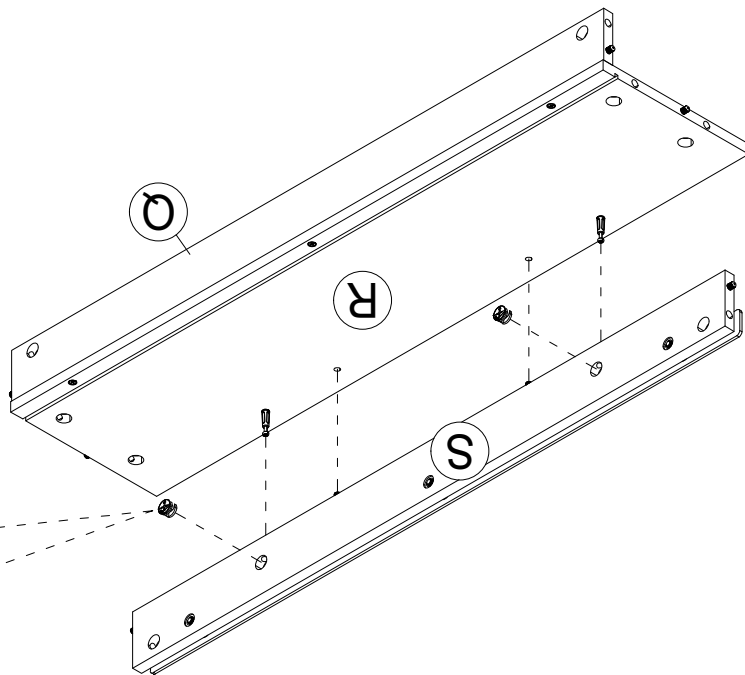
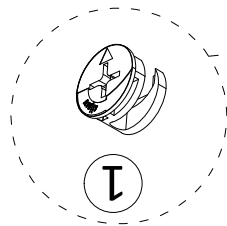
# LEFT MOUNTED



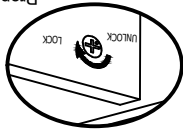
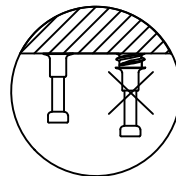
	1	X2
Ø15X9.5mm		

	2	X2
Ø6.5X35mm		

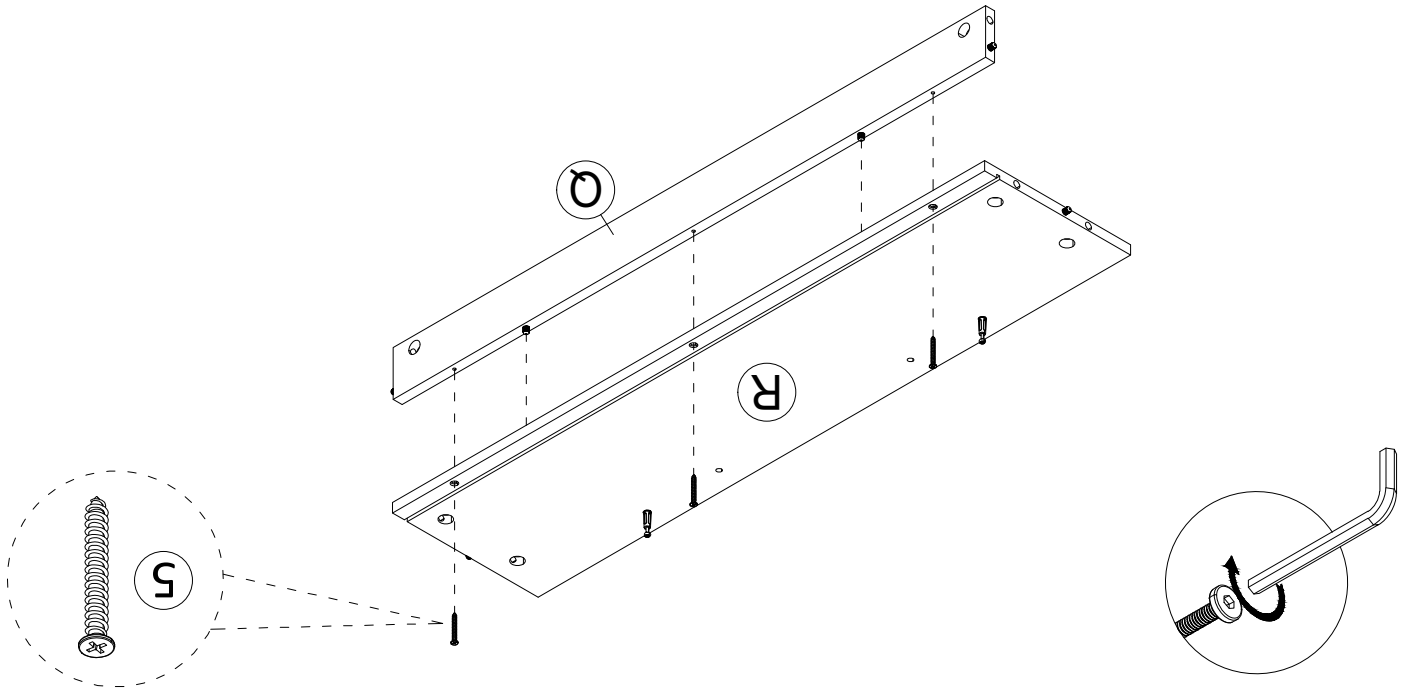
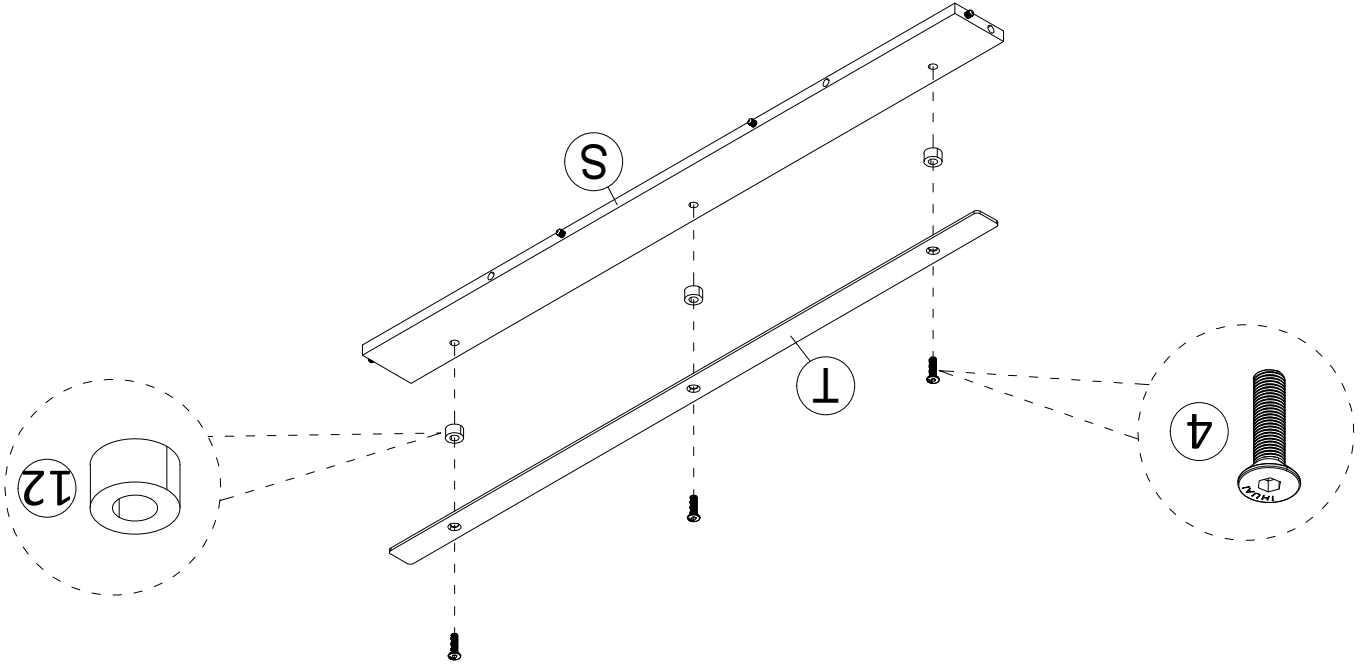
	3	X2
Ø6X30mm		



Insert the cam bolt into the hole first, then insert the cam lock and lock it.



Proper orientation of CAM LOCK

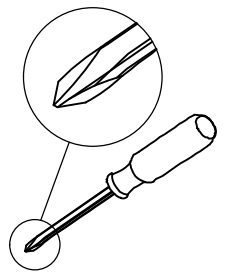
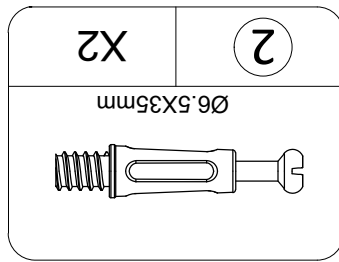
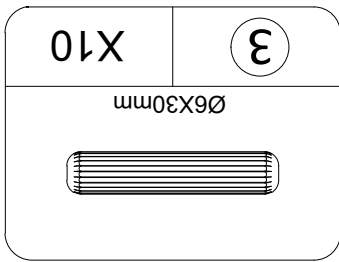
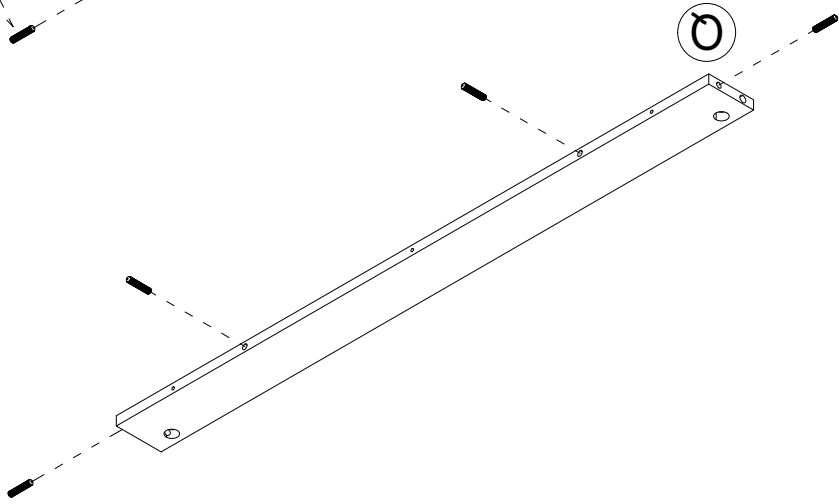
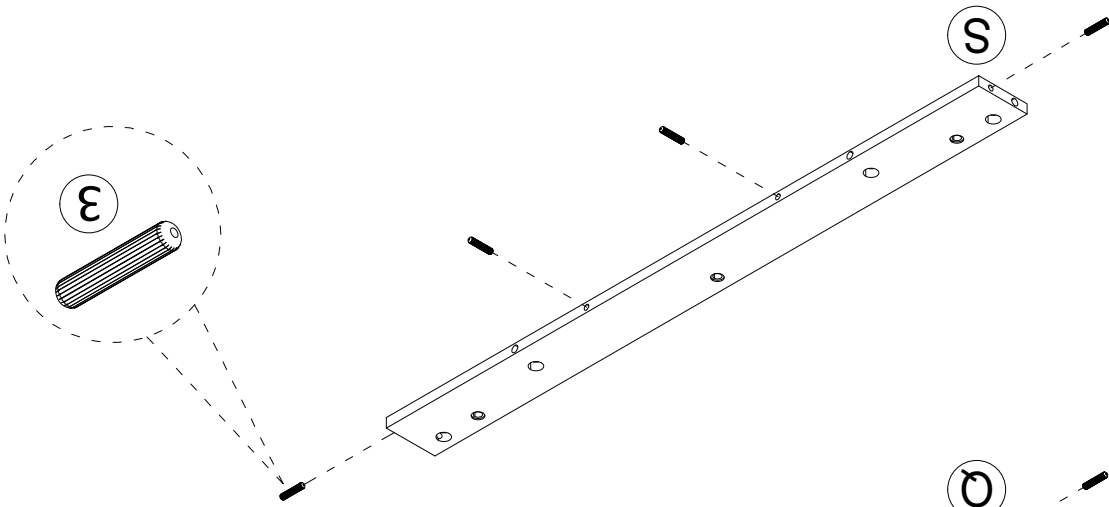
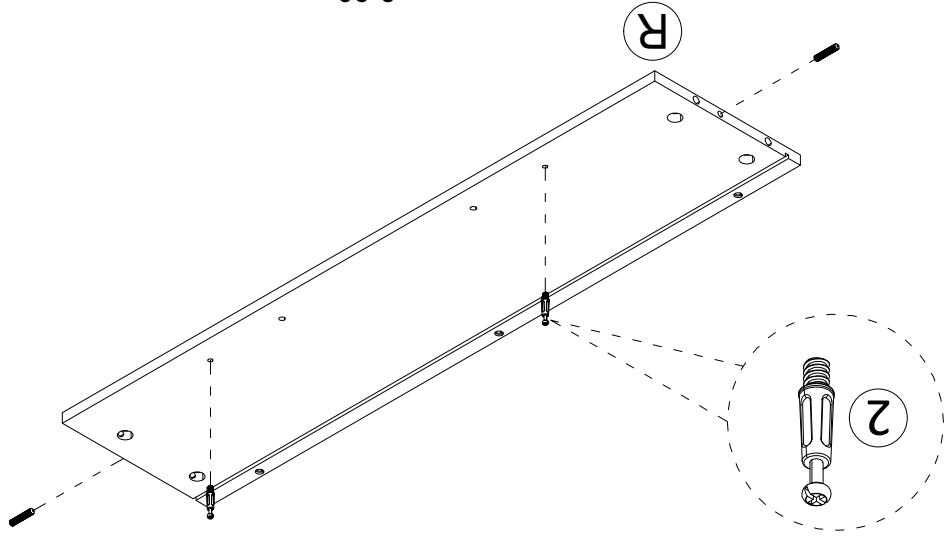
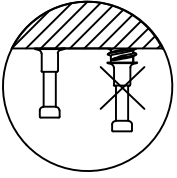


17	X1
4X65mm	

12	X3
Ø18(Ø8)X10mm	

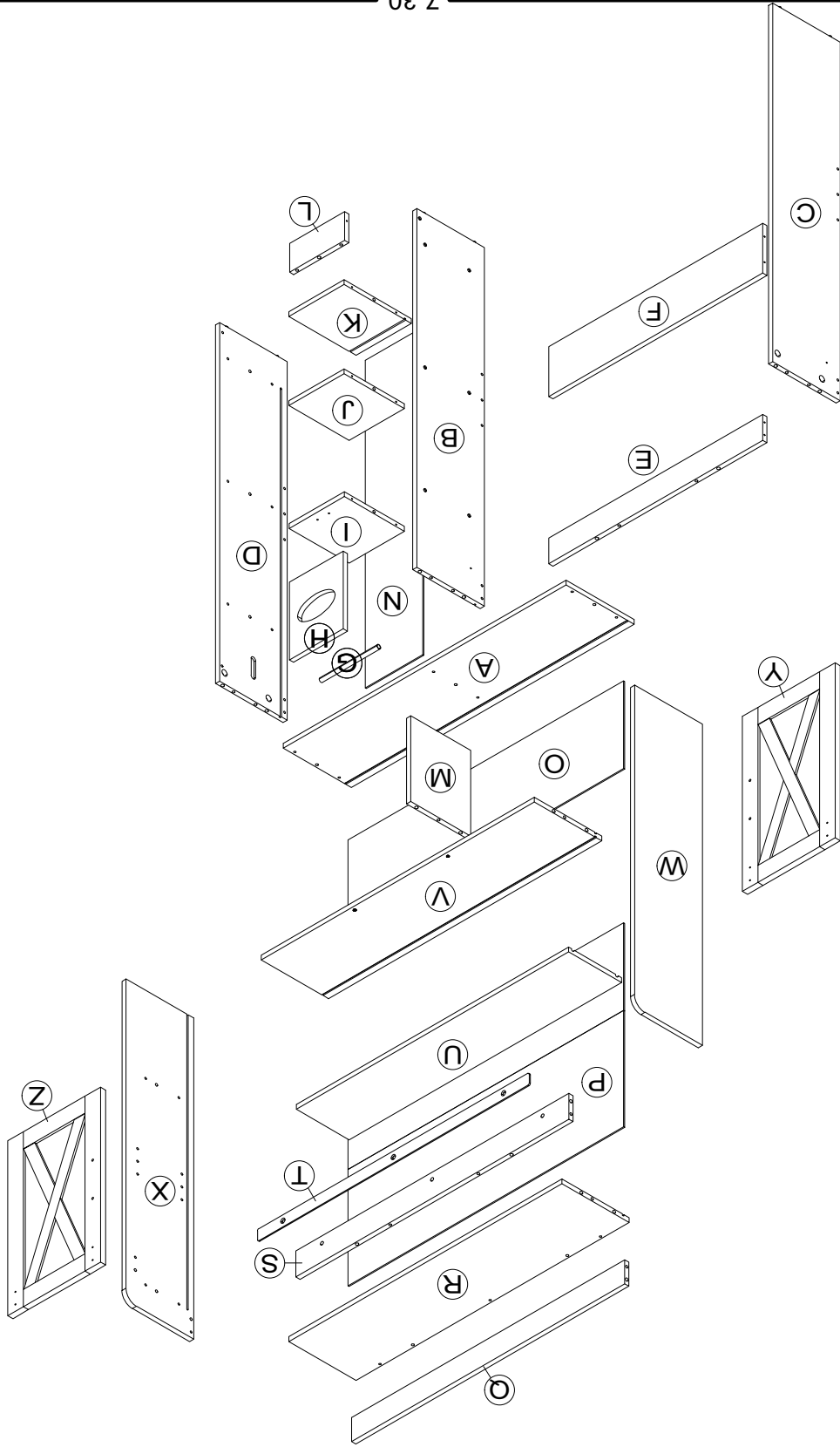
4	X3
M4X25mm	

5	X3
Ø4X35mm	



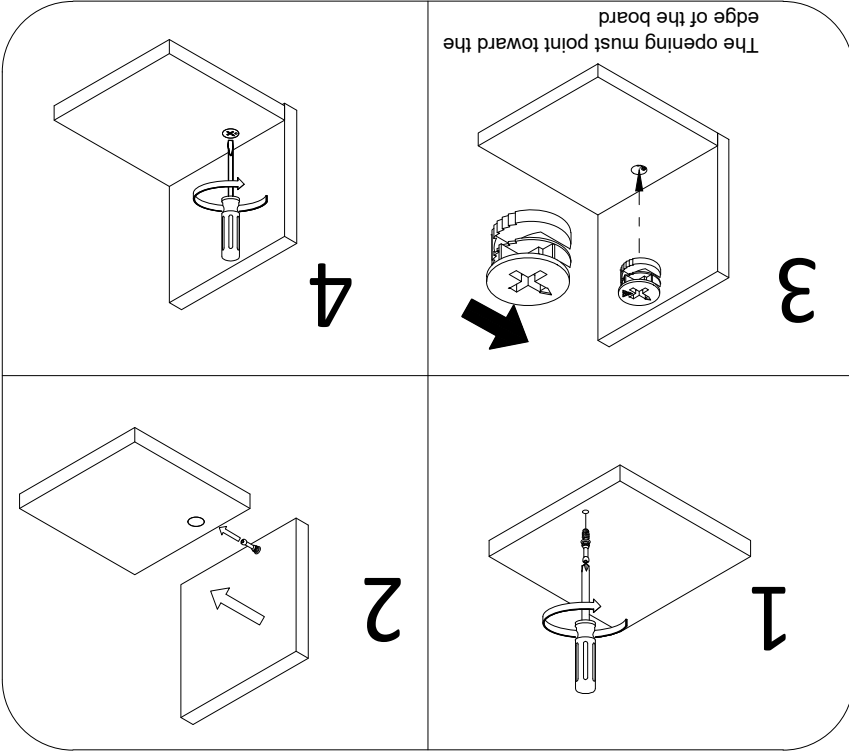
# Board Identification

Not actual size

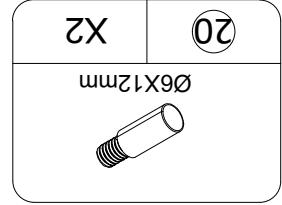


Insert the cam bolt into the hole first, then insert the cam lock and lock it.

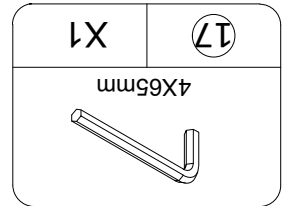
# Cam Lock Fastening System



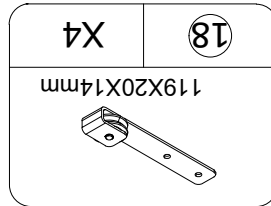
SHELF SUPPORT



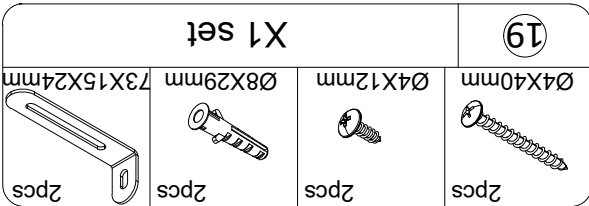
HEX KEY



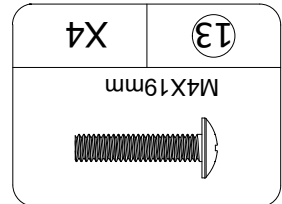
PULLEY



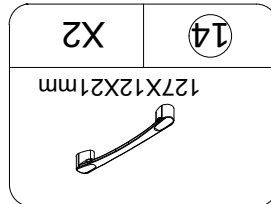
ANTI-TIPPING HARDWARE



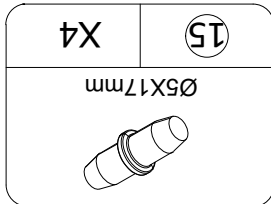
BOLT  
spare:1



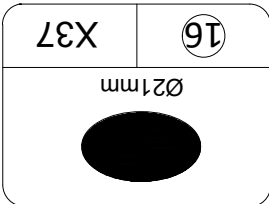
HANDLE



SHELF SUPPORT  
spare:1



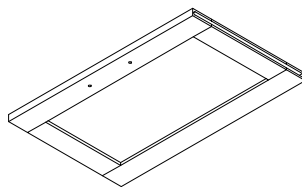
PERFECT STICKERS  
spare:3



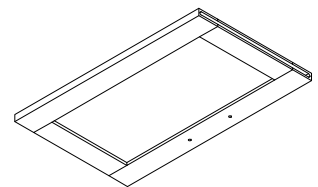
## Part List

# Board Identification

Not actual size



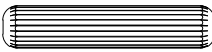

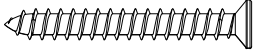
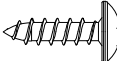
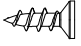
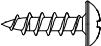
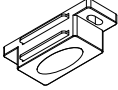
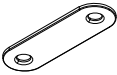
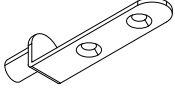



RIGHT SLIDING DOOR  
Qty:1



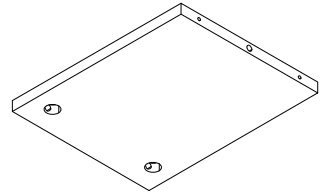
LEFT SLIDING DOOR  
Qty:1

## Part List

<p>1</p> <p>Ø15X9.5mm</p>  <p>Ø15X9.5mm</p> <p>X25</p> <p>CAM LOCK</p> <p>spare:3</p>	<p>2</p> <p>Ø6.5X35mm</p>  <p>Ø6.5X35mm</p> <p>X25</p> <p>CAM BOLT</p> <p>spare:3</p>	<p>3</p> <p>Ø6X30mm</p>  <p>Ø6X30mm</p> <p>X32</p> <p>WOODEN DOWEL</p> <p>spare:3</p>	<p>4</p> <p>M6X25mm</p>  <p>M6X25mm</p> <p>X3</p> <p>BOLT</p> <p>spare:1</p>	<p>5</p> <p>Ø4X35mm</p>  <p>Ø4X35mm</p> <p>X31</p> <p>SCREW</p> <p>spare:3</p>	<p>6</p> <p>Ø4X14mm</p>  <p>Ø4X14mm</p> <p>X8</p> <p>SCREW</p> <p>spare:1</p>	<p>7</p> <p>Ø3X10mm</p>  <p>Ø3X10mm</p> <p>X6</p> <p>SCREW</p> <p>spare:1</p>	<p>8</p> <p>Ø3X12mm</p>  <p>Ø3X12mm</p> <p>X2</p> <p>SCREW</p> <p>spare:1</p>	<p>9</p> <p>41X16X13mm</p>  <p>41X16X13mm</p> <p>X1</p> <p>MAGNETIC CATCHER</p>	<p>10</p> <p>39.5X12X1mm</p>  <p>39.5X12X1mm</p> <p>X1</p> <p>METAL PLATE</p>	<p>11</p> <p>43X8X9.5mm</p>  <p>43X8X9.5mm</p> <p>X2</p> <p>DOOR PIVOT</p>	<p>12</p> <p>Ø18(Ø8)X12mm</p>  <p>Ø18(Ø8)X12mm</p> <p>X3</p> <p>RUBBER RING</p>
--	---	--	---	---	--	--	--	--	--	---	--

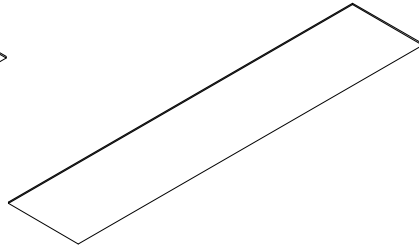
# Board Identification

Not actual size



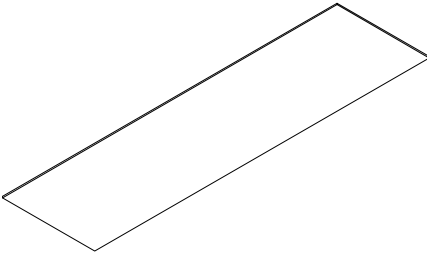
(M)

UPPER PARTITION  
Qty:1



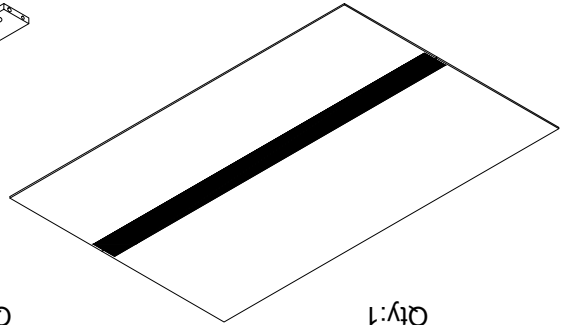
(N)

LOWER BACK PANEL  
Qty:1



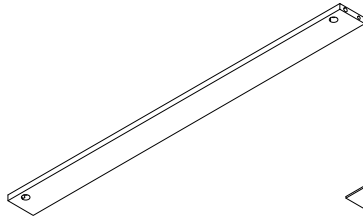
(O)

MIDDLE BACK PANEL  
Qty:1



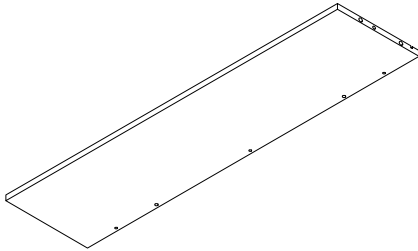
(P)

UPPER BACK PANEL  
Qty:1



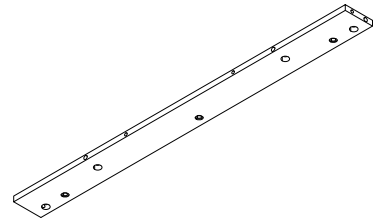
(Q)

RAIL  
Qty:1



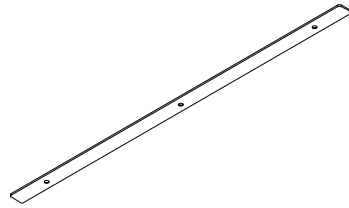
(R)

TOP  
Qty:1



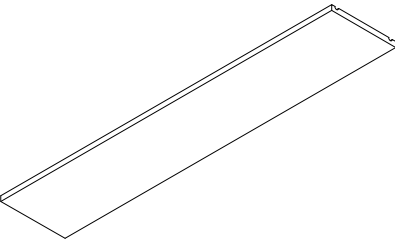
(S)

RAIL  
Qty:1



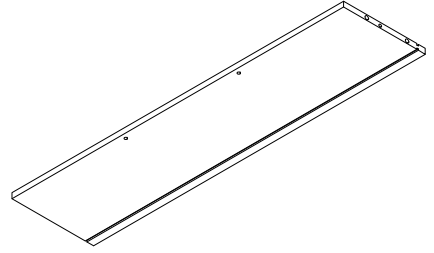
(T)

TRACK  
Qty:1



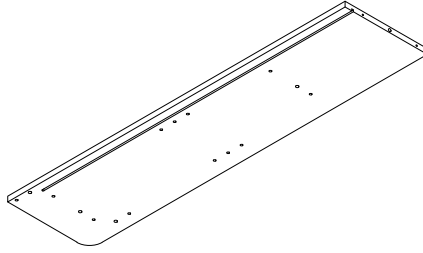
(U)

ADJUSTABLE SHELF  
Qty:1



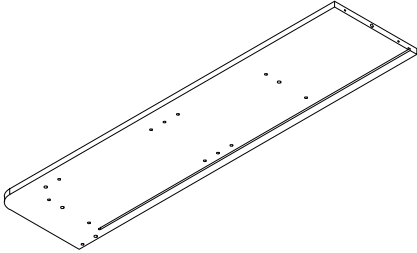
(V)

FIXED SHELF  
Qty:1



(W)

UPPER LEFT SIDE PANEL  
Qty:1

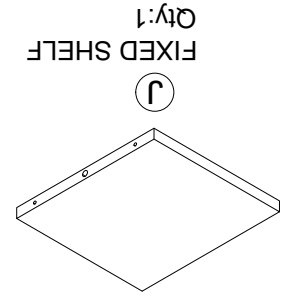
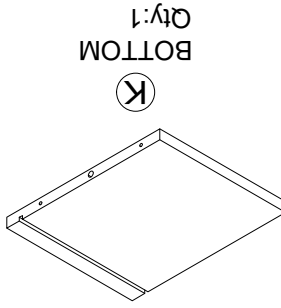
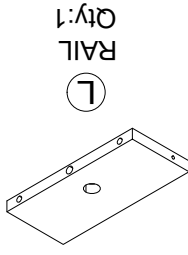
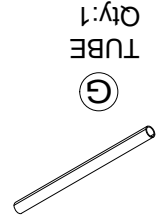
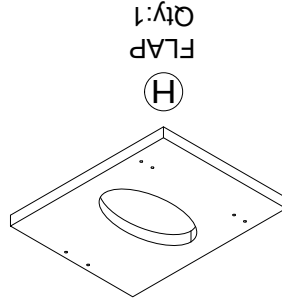
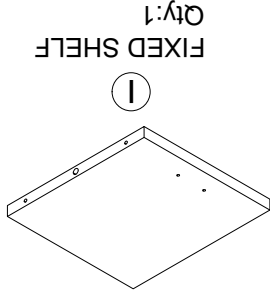
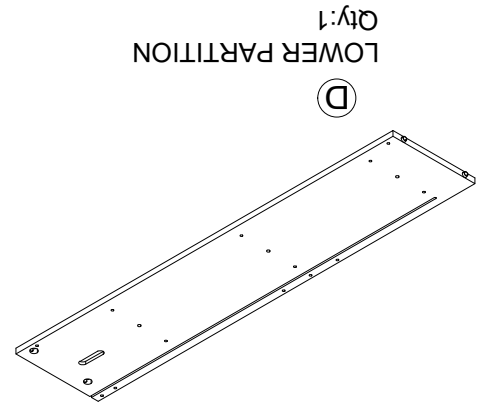
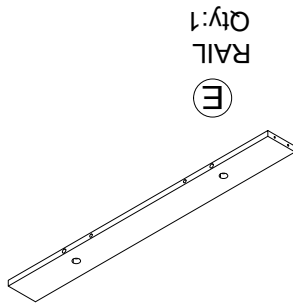
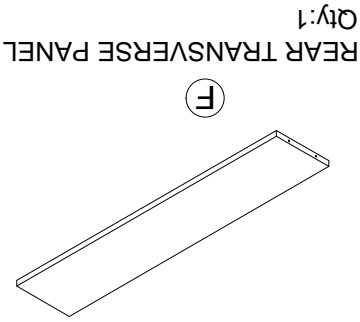
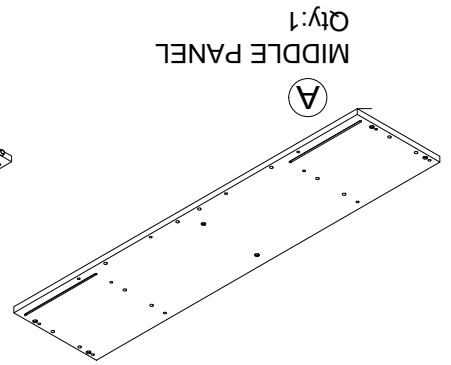
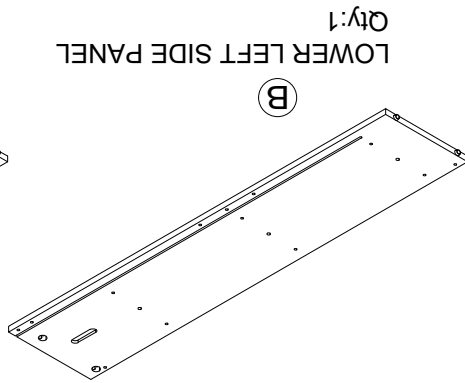
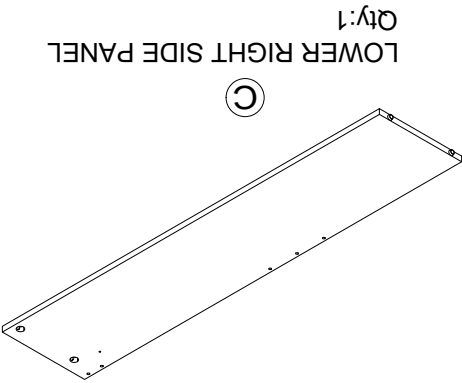


(X)

UPPER RIGHT SIDE PANEL  
Qty:1

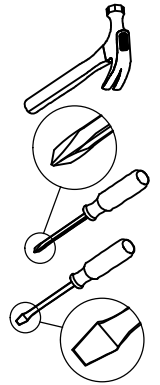
# Board Identification

Not actual size



# Before You Start

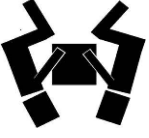
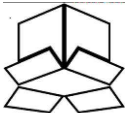
- ✓ Read through each step carefully and follow the proper order
- ✓ Separate and count all your parts and hardware
- ✓ Give yourself enough room for the assembly process
- ✓ Have the following tools: Flat Head Screwdriver, #2 Phillips Head Screwdriver and Hammer
- ✓ Caution: If using a power drill or power screwdriver for screwing, please be aware of to slow down and stop when screw is tight. Failure to do so may result in stripping the screw. (Assembly speed can be increased by using electric screwdriver)



# Helpful Hints

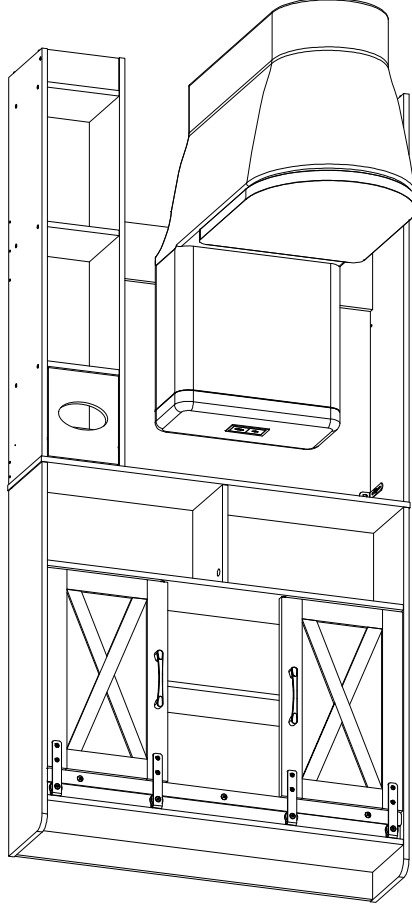
## PEOPLE NEEDED FOR ASSEMBLY: 1-2

- Open your item in the area you plan to keep it to avoid excessive heavy lifting.
- Identify, sort and count the parts before attempting assembly.
- Compression dowels are lightly tapped in with a hammer.
- Slides are labeled with an **R** (right) and **L** (left) for proper placement.
- Make sure to always face the point on the top of the Cam Lock towards the outer edge.
- If there is a back panel in the package, please install it to make sure your unit is complete and sturdy.
- Please fix all the screws provided for the back panel which can enhance product stability. If it is difficult to fix it when tightening, it can be fixed with the help of a hammer and then tightened.
- Do NOT use harsh chemicals or abrasive cleaners on this item.
- Never push, pull, or drag your furniture.



## J3M014

Before installation, please confirm that the cabinet is installed on the left or right side of the toilet. As shown in the figure below, the cabinet is installed on the left side of the toilet. If you need to install it on the right side, please refer to the instructions on the opposite side.



As this item contains many parts, please read the installation instruction carefully before installation . Please use tools properly and carefully. If you have any questions about the product and installation, please contact us.

**hosotesevice@gmail.com**

Our professional after-sales team will serve you online all

day.