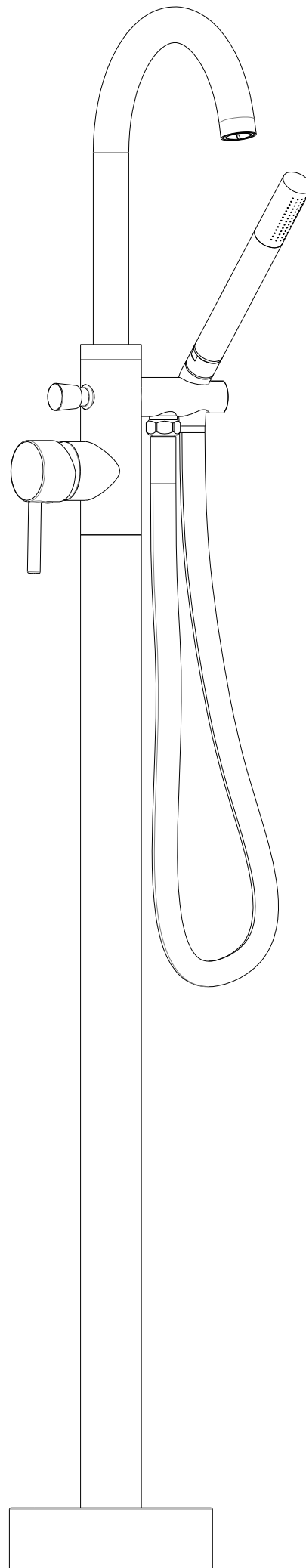


INSTALLATION GUIDE

MODEL	FINISH
S2139CH	CHROME
S2139NB	BRUSHED NICEKL
S2139OB	OIL RUBBER BRONZE
S2139MB	MATTE BLACK
S2139BG	BRUSHED GOLD

THANK YOU

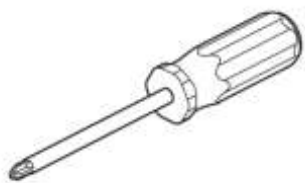
Dear Valued Customer,
SUMERAIN would like to take this opportunity to thank you for purchasing SUMERAIN products. It is our sincere hope that you are completely satisfied with your new purchase. All SUMERAIN products are carefully engineered, and factory tested to provide long trouble-free use under normal conditions. This product is easy to install using basic tools and our easy to follow illustrated instructions. We welcome any questions or comments you may have and look forward to assisting you in the future. If you have any questions regarding this product, call +1-866-2030-866 or email to supports@sumerain.com.

Sincerely,
SUMERAIN customer service department

BEFORE PROCEEDING

1. Unpack your new product and ensure that all the parts are contained in the packaging. Keep the product in its original box until you ready to install it.
2. Locate water supply inlets and shut off the water supply valves. These are usually found near the water meter. if you are replacing an existing unit, remove the old unit and clean the mounting surface thoroughly.
3. Observe all plumbing and building codes in your area.
4. It is recommends calling professional if you are uncertain about installing this product.

TOOLS RECOMMENDED



Philips screwdriver



Allen wrench



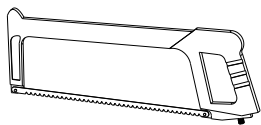
Adjustable wrench



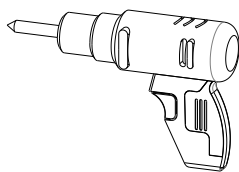
Channel locks



Thread Sealant



saw



electric drill

LIMITED LIFETIME CONSUMER WARRANTY

VERSION: 20160320.18.1

This product has been manufactured and tested to the highest quality standards by SUMERAIN sanitary Inc("SUMERAIN").This warranty is limited to SUMERAIN products which are purchased by a consumer in the China after Jan 1,2010 and installed in China or the state which has SUMERAIN technical support department locally.(visit <http://www.sumerain.com/en/supportcenter.asp> for review the state list of SUMERAIN technical support department).If the faucet should leak or drip during normal use,SUMERAIN will, free of charge, mail to the purchaser the cartridge necessary to put the faucet in good working condition. If a defect is found in normal residential use, SUMERAIN will, at its election, repair, provide a replacement part or product, or make appropriate adjustment.

WHO IS COVERED BY THE WARRANTY

This warranty extends to the original consumer purchaser only (exclusive online retail original customer, online retail original customer cover by the "Online CONSUMER Limited Lifetime WARRANTY & Return policy"), This warranty is not-transferable.

WHAT IS COVERED BY THE WARRANTY

This warranty covers only your SUMERAIN manufactured product. SUMERAIN warrants this product against defects in material or workmanship as follows: SUMERAIN will repair at no charge for parts only or, at its option, replace any product or part of the product that proves defective because of improper workmanship and/or material, under normal installation, use, service and maintenance. If SUMERAIN unable to provide replacement, SUMERAIN may elect to provide similar model upon close value.

FINISH WARRANTY

It is the responsibility of the customer to check for any material finish defects before installation. SUMERAIN doesn't warranty these finishes after the fixture has been installed.

ELECTRONIC FAUCETS WARRANTY

SUMERAIN warrants that its electronic faucets, valves and controls to be free from manufacturing defects in material and workmanship under normal use for three(3) years from the date of purchase and waterflow impeller-dynamo (generate power for LED faucet) for six(6) months from the date of purchase.

LENGTH OF WARRANTY

Replacement or repaired parts of products will be covered for the term of this warranty as stated in the following two sentences, if you are a consumer who purchased the product for use primarily for personal,family,or household purposes, this warranty extends for 5 years since the product originally installed (Extend max 1 month From the date of purchase).if you purchased the product for use primarily for any other purpose,including,without limitation, a commercial purpose or is installed outside of US, or if the finish is gold, non-Vibrant or a painted or powder coated color finish this warranty extends only for one year, with respect to SUMERAIN and commercial products.

THIS WARRANTY DOES NOT COVER, AND SUMERAIN WILL NOT PAY FOR:

- A.** Conditions, malfunctions or damage not resulting from defects in material or workmanship.
- B.** Conditions, malfunctions or damage resulting from normal wear and tear, improper installation, improper maintenance, misuse, abuse,negligence,accident or alteration or the use of abrasive or caustic cleaning agents or "no-rinse" cleaning products, or the use of the product in any manner contrary to the product instructions. Conditions in the home such as excessive water pressure or corrosion.
- C.** Labor or other expenses for the disconnection, deinstallation, or return of the product for warranty service, or for installation or reinstallation of the product.
- D.** Accessories, connected materials and products (including but not limited in handshower Drain Pipe, spray Drain Pipe, handshower), or related products not manufactured by SUMERAIN

TO OBTAIN WARRANTY PARTS OR INFORMATION

Contact your SUMERAIN retailer or contact technical service at: supports@sumerain.com

In requesting warranty service, you will need to provide

1. The sales receipt or other evidence of the date and the place of purchase.
2. A description of the problem (Download URL: <http://www.sumerain.com/download/servicerequest/sheet.pdf> and fill out the Service Request Sheet).
3. Delivery of the product or the defective part, postage prepaid and carefully packed and insured to specified address.

When warranty service is completed, any repaired or replacement product or part will be returned to you postage prepaid.

EXCLUSIONS AND LIMITATIONS

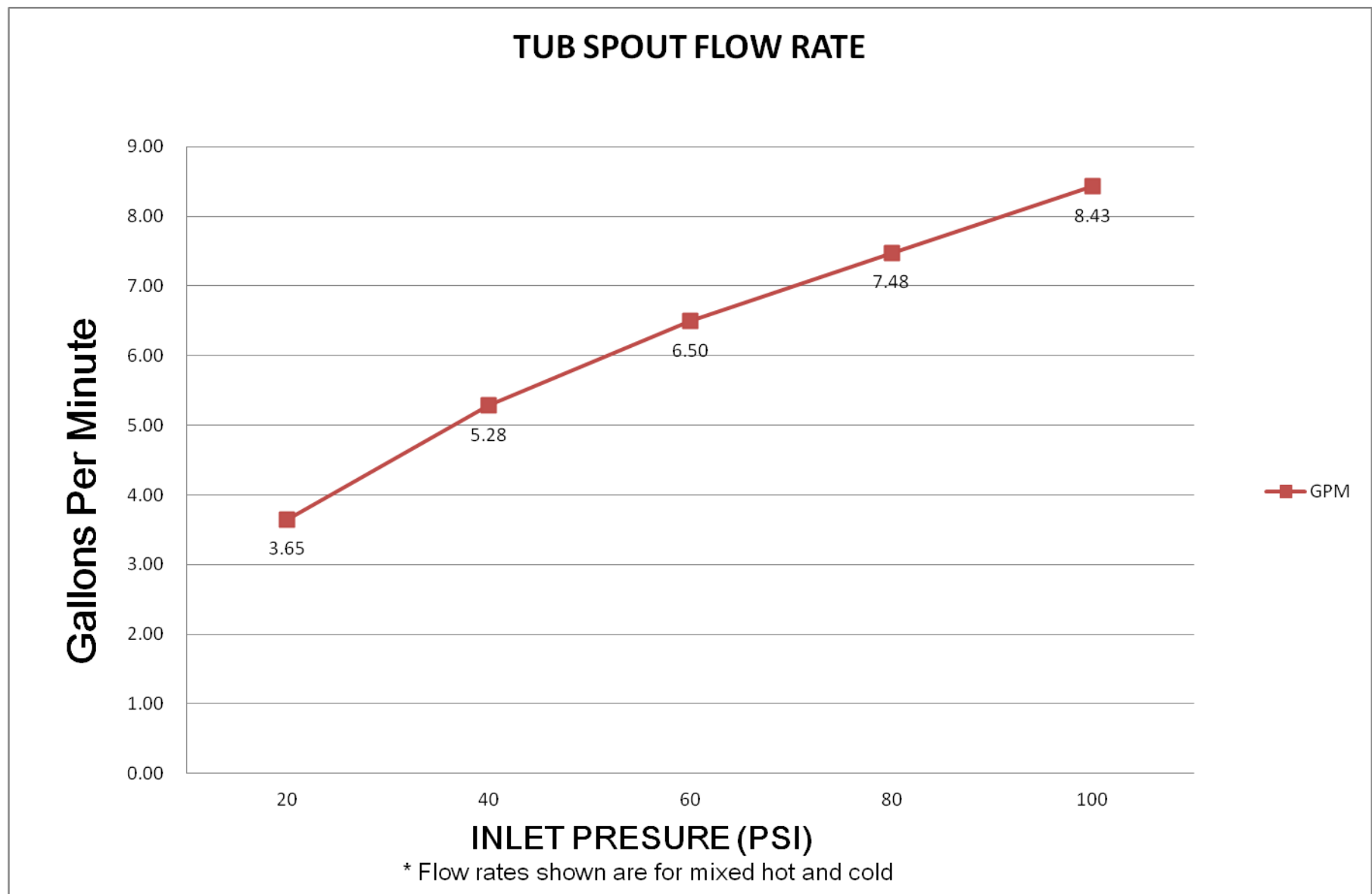
Repair or replacement (or, in limited circumstances, refund of the purchase price) as provided under this warranty is the exclusive remedy of the purchaser. SUMERAIN neither assumes nor authorizes any person to create for it any obligation or liability in connection with this product.SUMERAIN shall not be liable to purchaser or any person for any incidental, special, or consequential damages, arising out of breach of this warranty or any implied warranty (including merchantability) Some states do not allow the exclusion or limitation of incidental or consequential damages, so the above limitation or exclusion may not apply to you. This warranty gives you specific legal right, and you may have other rights which vary from state to state. You may be required by law to give us a reasonable opportunity to correct or cure any failure to comply before you can bring any action in court against us under the Magnusson-moss warranty Act.

PRODUCT INSTRUCTIONS AND QUESTIONS

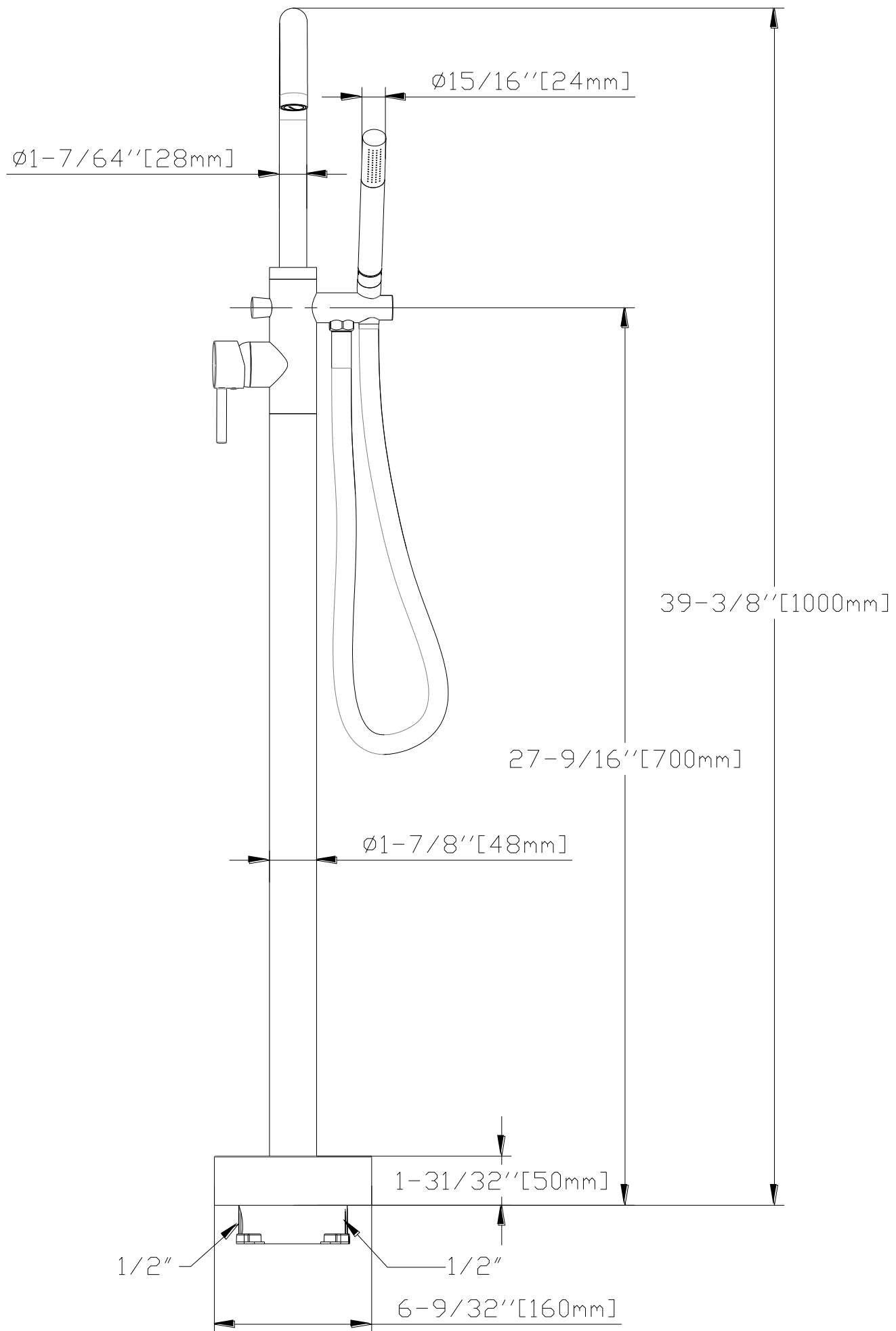
Upon purchase or prior to installation, please carefully inspect your SUMERAIN product for any damage or visible defect. Prior to installing, always carefully study the enclosed instructions on the proper installation and the care and maintenance of the product. if you have questions at any time about the use,installation,or performance of your SUMERAIN product, or this warranty, please call or email us at +1-866-2030-866, supports@sumerain.com

FUNCTIONS AND SPECIFICATION

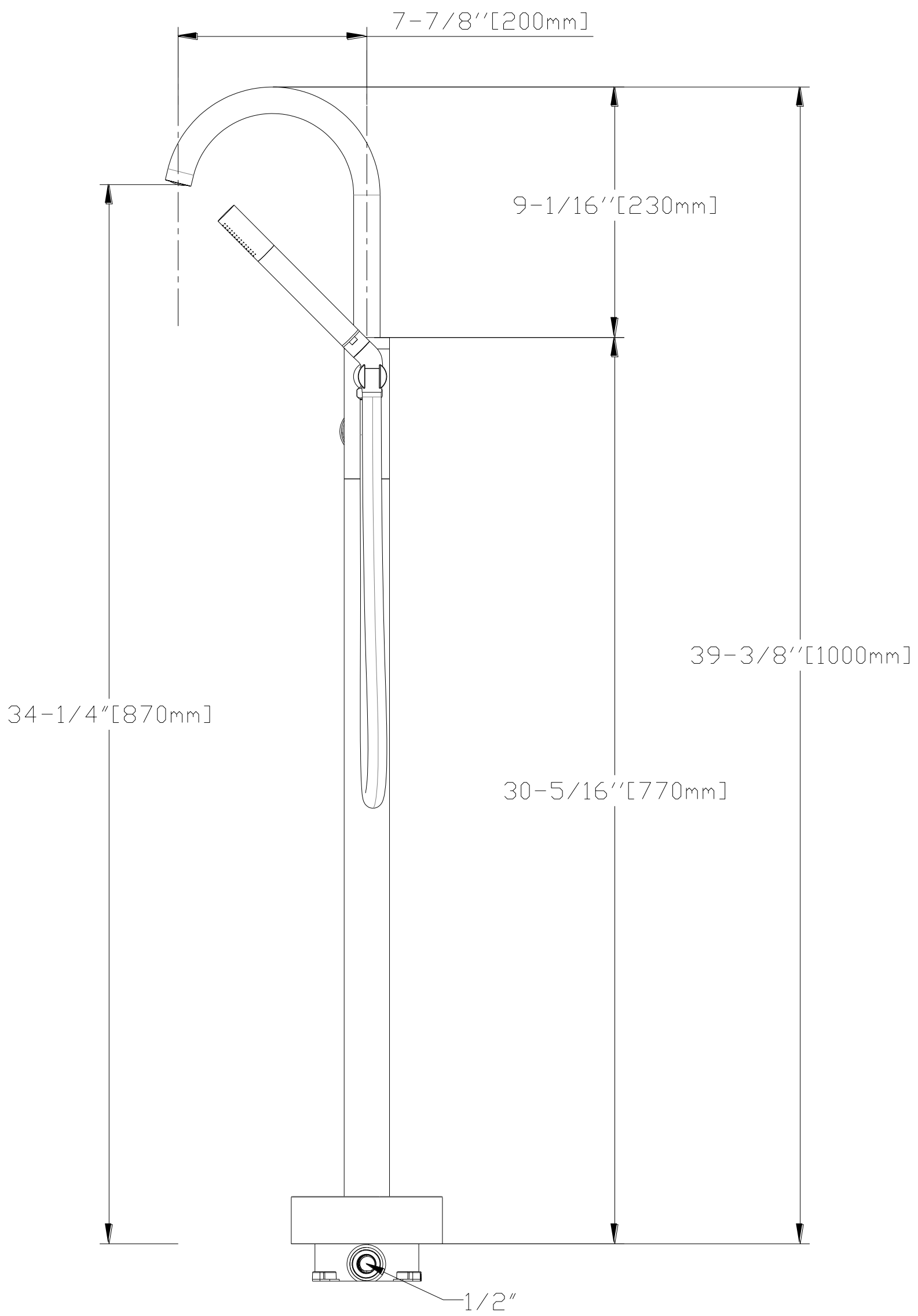
Function	Bathtub faucet
Feature	Floor mounted, Freestanding
Theme	Modern ,Contemporary
Finish	Chrome/Brushed Nickel/Matte Black/ Oil Rubber Bronze/Brushed Gold
Number of Handles	One
Handle style	Level
Primary Material	Brass
Mounting Hardware Included	Yes
Diverter Included	Yes
Handheld Shower Included	Yes
Valve Included	Yes
Hand shower material	Brass
Shower hose Included	Yes
Hose Material	SUS 304 Stainless steel
Faucet Total Height	39-3/8"
Spout Reach	7-7/8"
Spout Height	34-1/4"
Valve Type	Ceramic disc
Handle Material	Metal
Net Weight	15,0 lbs [6.8KG]
Gross Weight	16,1 lbs [7.3KG]
Working water press	0.2 ~0.8 Mpa
Max Flow Rate (spout)	8.4GPM
Packing box size	720mm[28-11/32"] x 420mm[16-1/2"] x 120 mm[4-23/32"]



DIMENSION



FRONT VIEW OF FAUCET



RIGHT VIEW OF FAUCET

INSTALLATION STEPS

1. BEFORE PROCEEDING



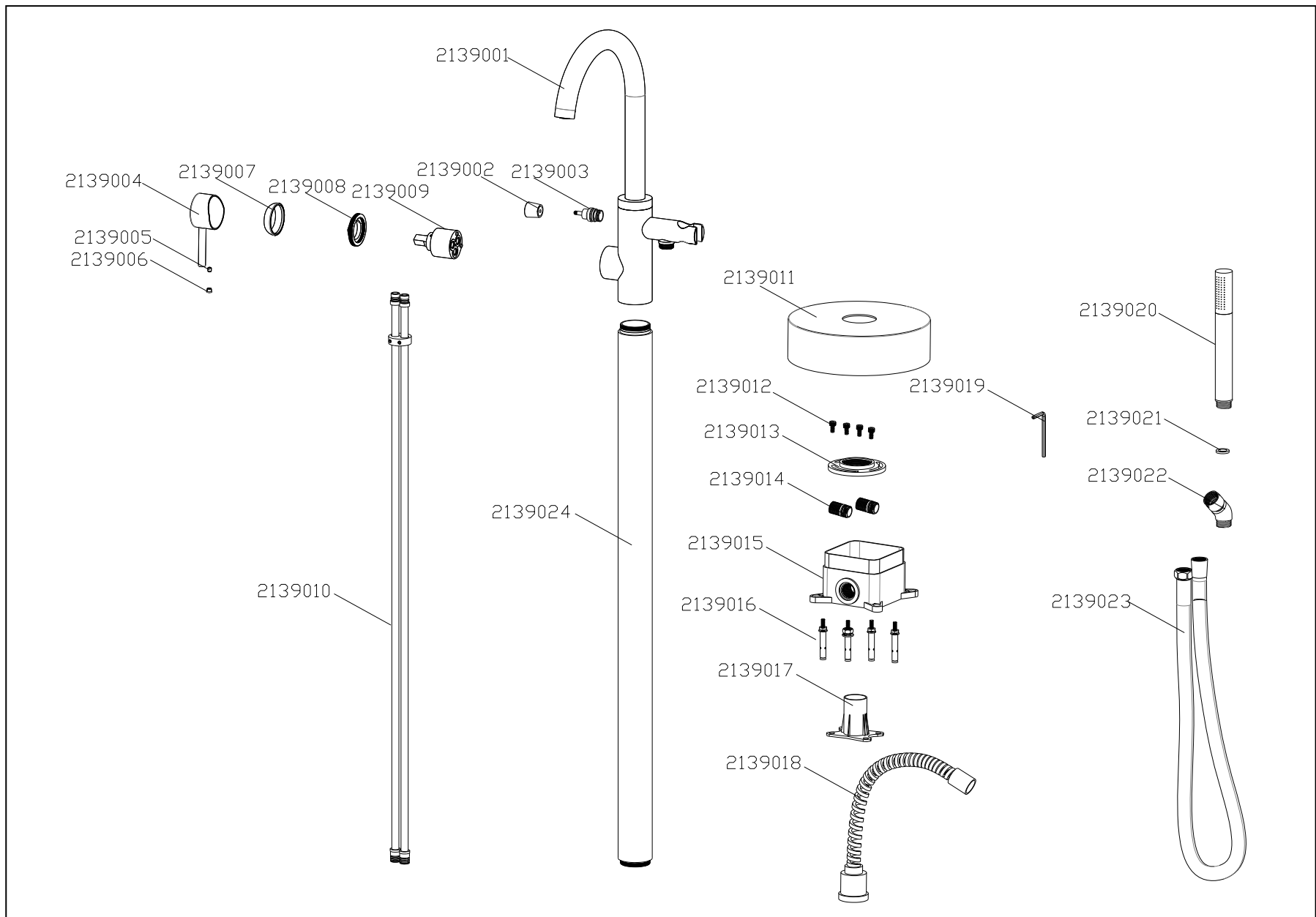
WARNING: Read all the instructions completely before proceeding. SUMERAIN recommends calling a professional if you are uncertain about installing this product!, this product should be installed in accordance with all local and state plumbing and building codes.

2. SHUT OFF WATER SUPPLY

Locate water supply inlets and shut off the water supply valves. These are usually found near the water meter. If you are replacing an existing unit, remove the old unit and clean the mounting surface thoroughly.

3. CHECKING THE CONTENTS OF THE BOX

Upon opening the box, check to ensure that all the following items are included.



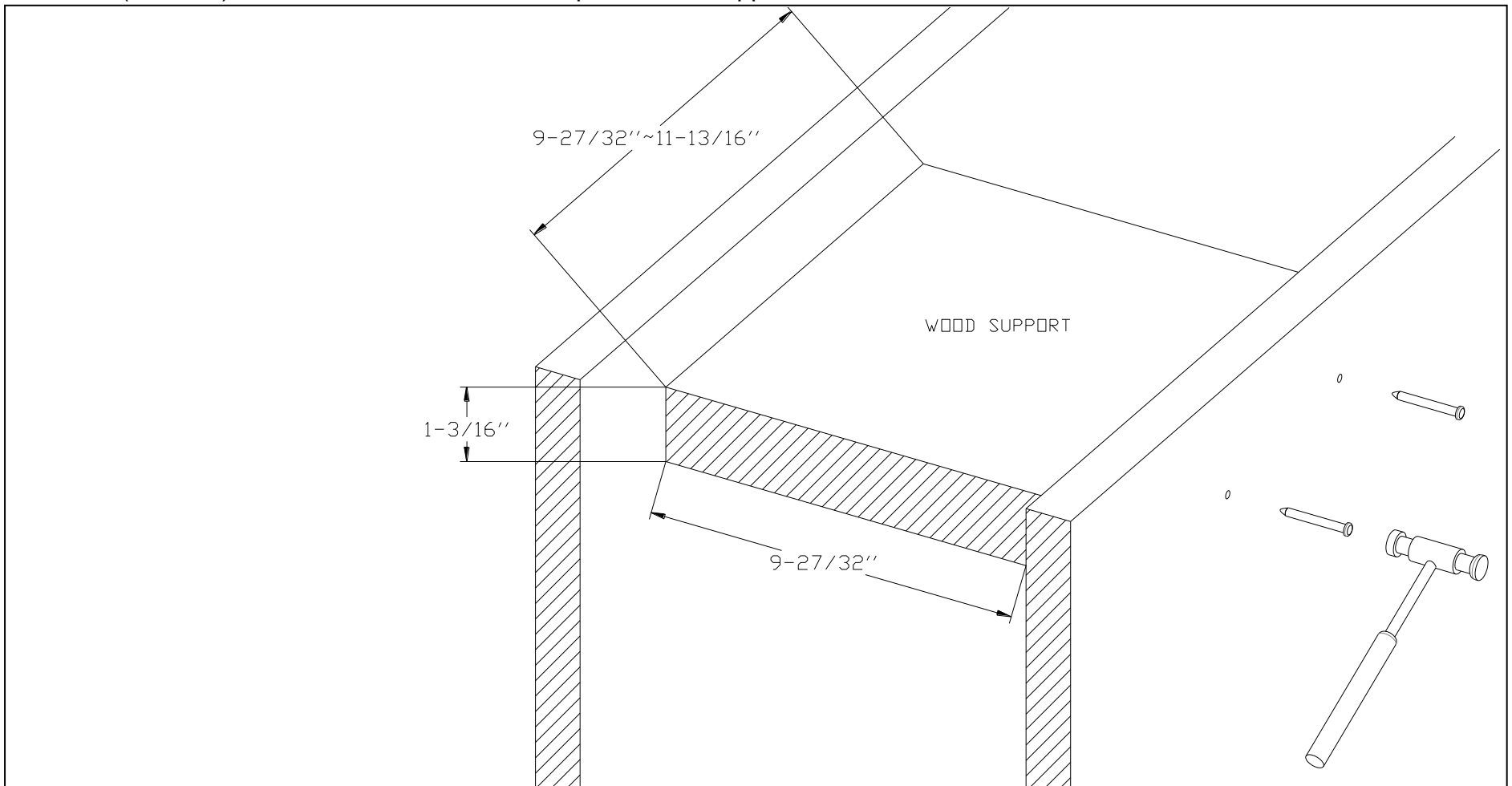
CODE	ITEM NAME	QTY	CODE	ITEM NAME	QTY
2139001	Faucet body assembly	1PCS	2139002	Diverter Knob	1PCS
2139003	Diverter cartridge	1PCS	2139004	Handle(Lever)	1PCS
2139005	Set screws	1PCS	2139006	Screw Cover	1PCS
2139007	Flange	1PCS	2139008	Bonnet	1PCS
2139009	#40 Cartridge	1PCS	2139010	Hot/Cold Brass Supply riser	1SET
2139011	Escutcheon	1PCS	2139012	Bolts	4PCS
2139013	Mounting base	1PCS	2139014	G1/2" To NPT 1/2-14 Adapter (optional)	2PCS
2139015	Rough-in valve	1PCS	2139016	Screws & Anchor	4PCS
2139017	Drain Pipe Adapter	1PCS	2139018	Drain Pipe	1PCS
2139019	Allen wrench S4	1PCS	2139020	Hand shower	1PCS
2139021	washer	1PCS	2139022	Hand shower adapter	1PCS
2139023	Shower hose	1PCS	2139024	Standpipe	1PCS

If any of these items are missing, please contact SUMERAIN consumer service by email to: supports@sumerain.com

4. ROUGH-IN VALVE INSTALLATION

4.1 INSTALL TUB FILLER FLOOR SUPPORT

4.1.1 Adequate floor support is required. The wood support must be a minimum of 1-3/16" (30 mm) thick by 9-27/32" (250 mm) wide. 2"x6" lumber is not adequate for this application.

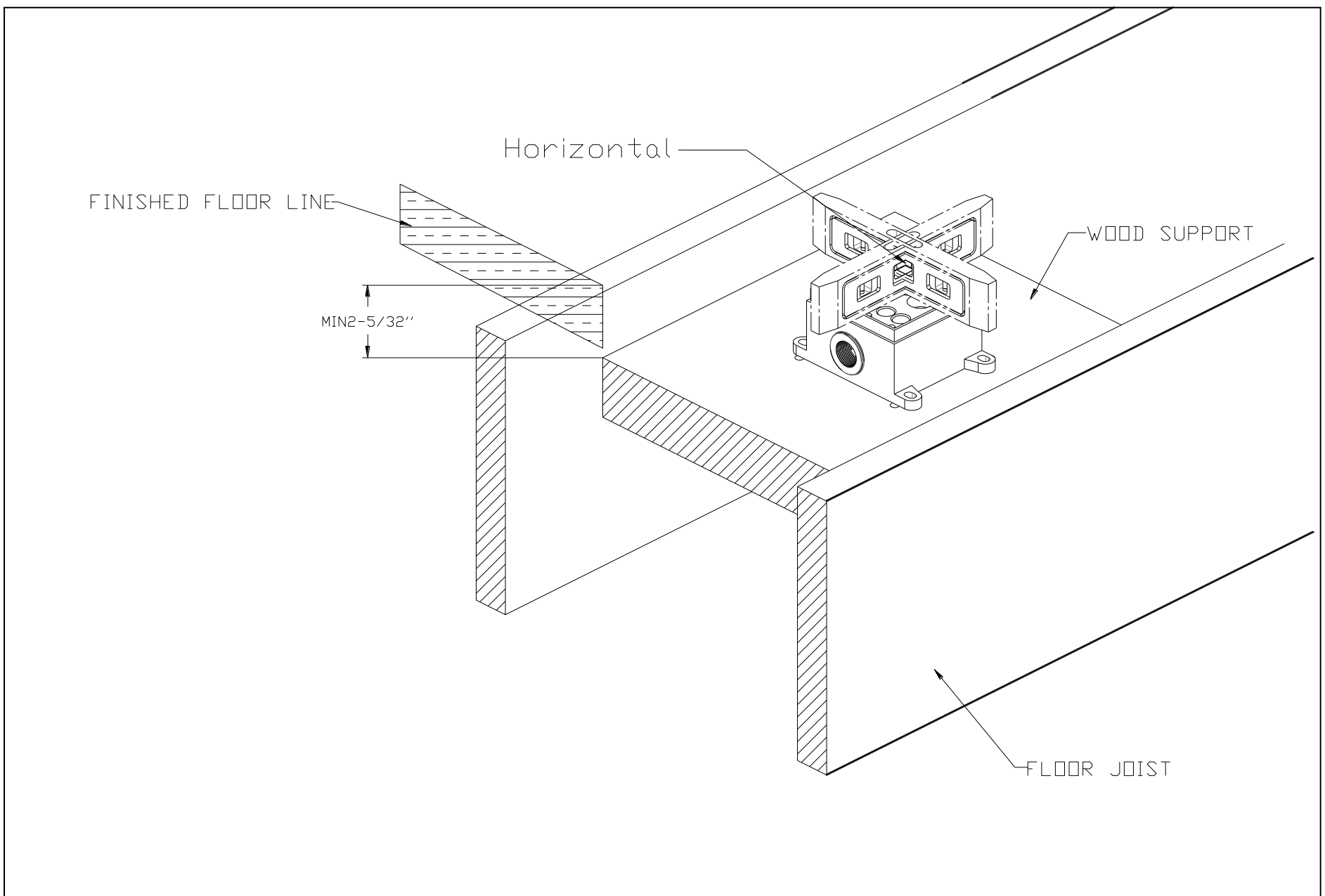


4.1.2 Locate wood support between floor joists keeping a minimum distance of 2-3/4" (55 mm) and recommend max distance of 3-11/32"[85mm] from the top surface of wood support to the finished floor.



IMPORTANT:

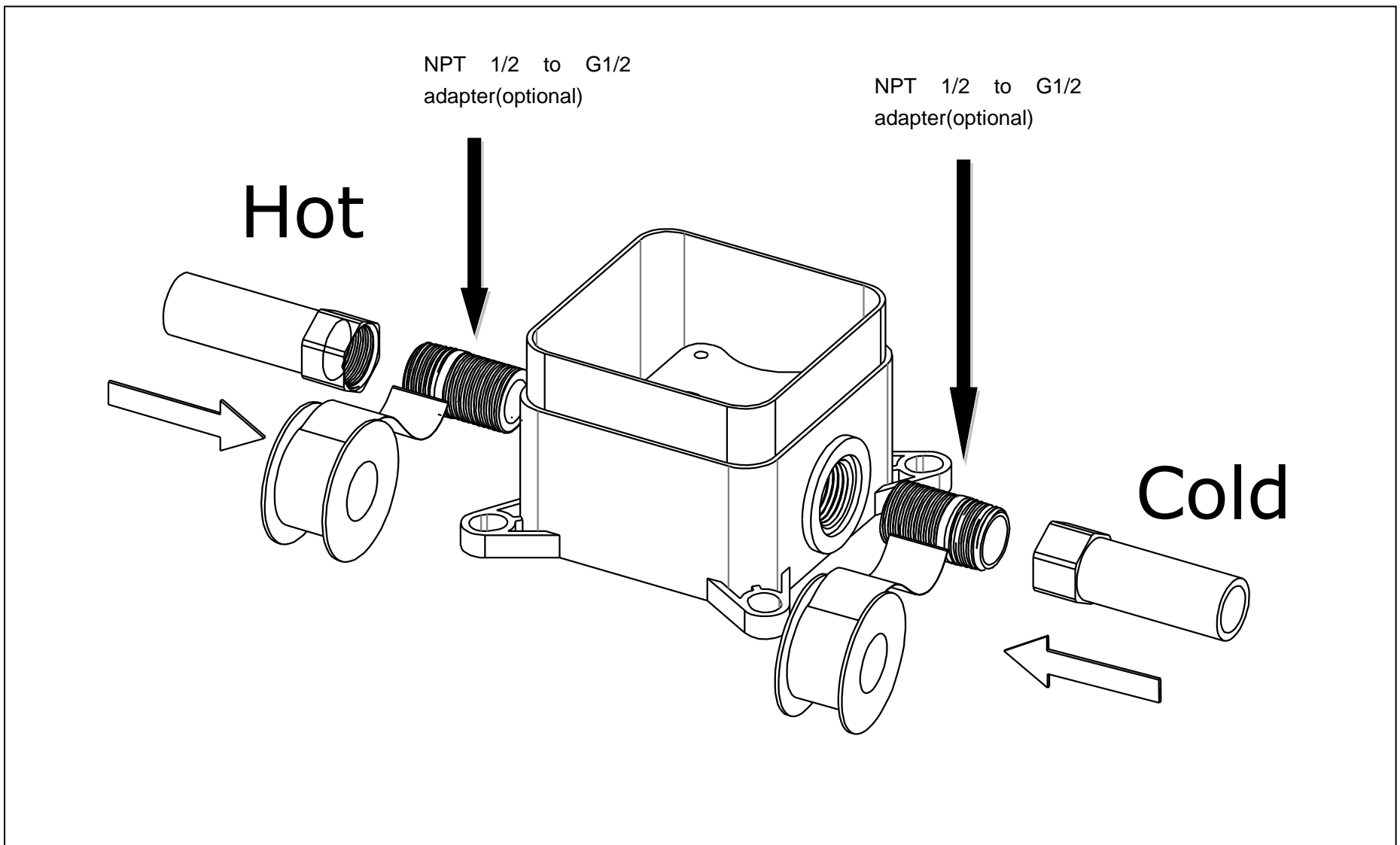
Use a bubble level to level the wood support. The wood support must be perfectly level. Secure wood support to floor joists. Check for level again.



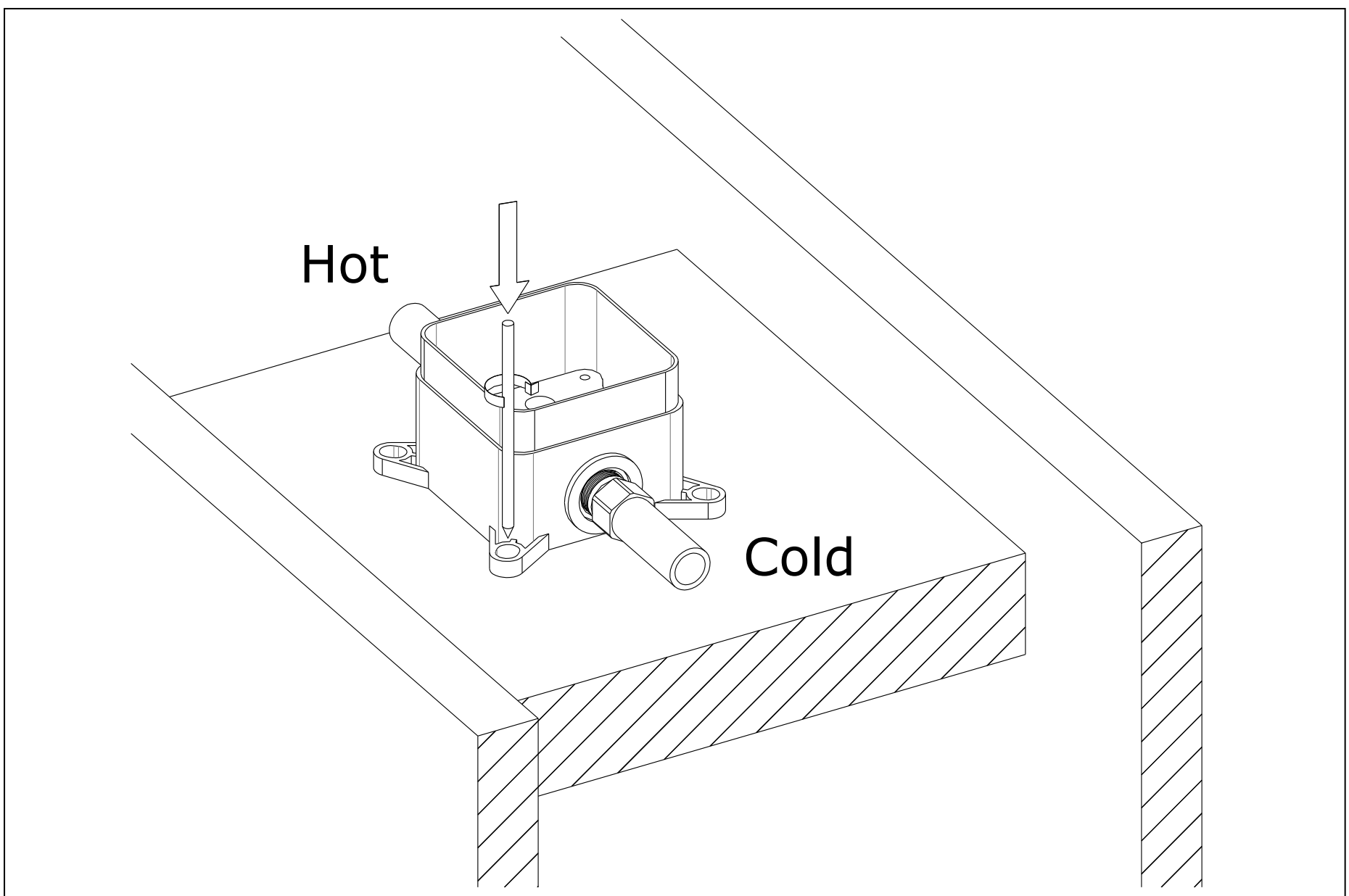
4.2 INSTALL HOT AND COLD WATER SUPPLIES.

Apply sealing tape to threaded connections. Thread supply assemblies into rough-in valve inlets. The Hot inlet will be on the left when facing the front of the Tub Filler.

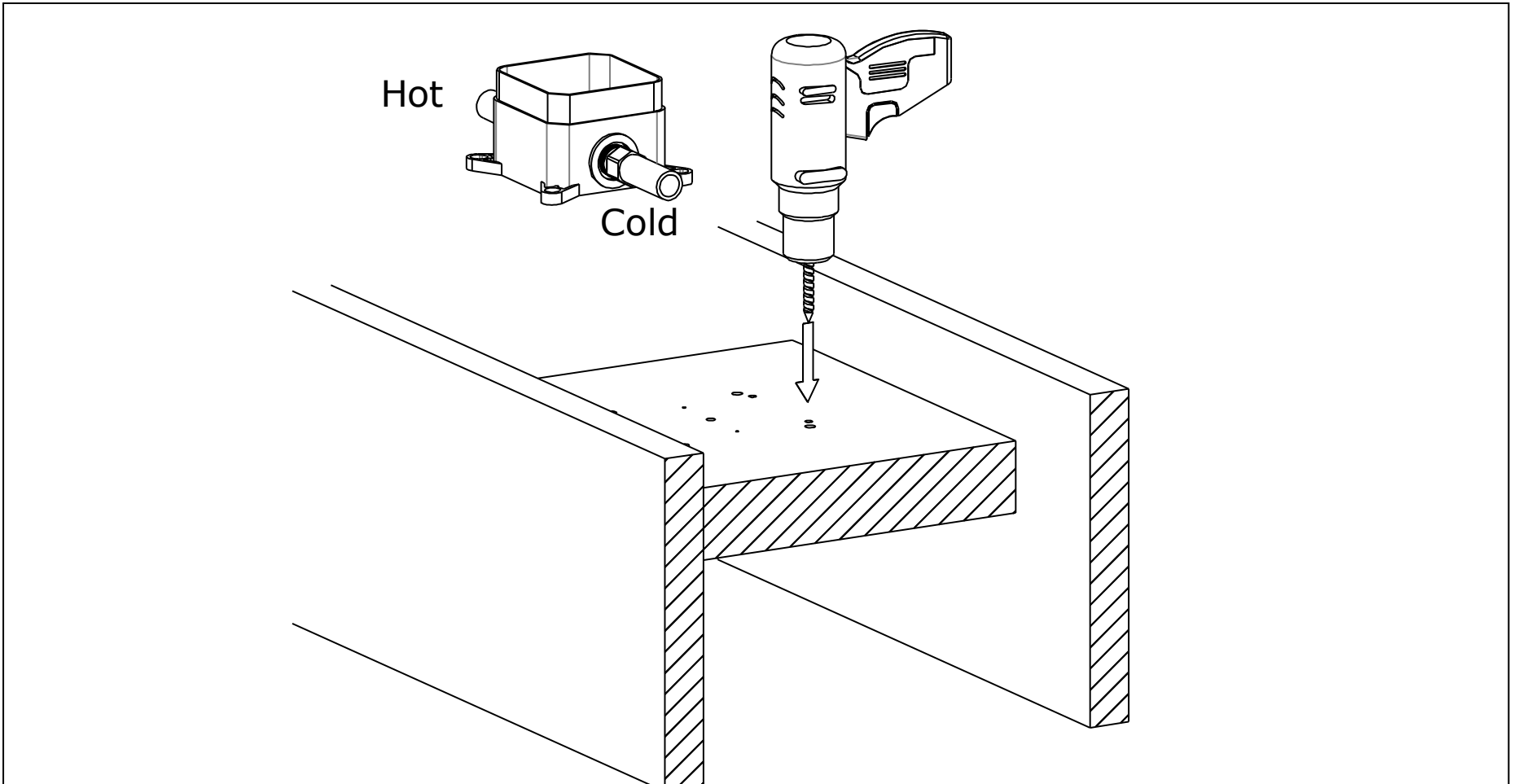
- Note:** (1) The Hot and Cold inlets are marked on the concealed box.
(2) G1/2 Male to NPT 1/2-14 Male adapter may be required in North America.



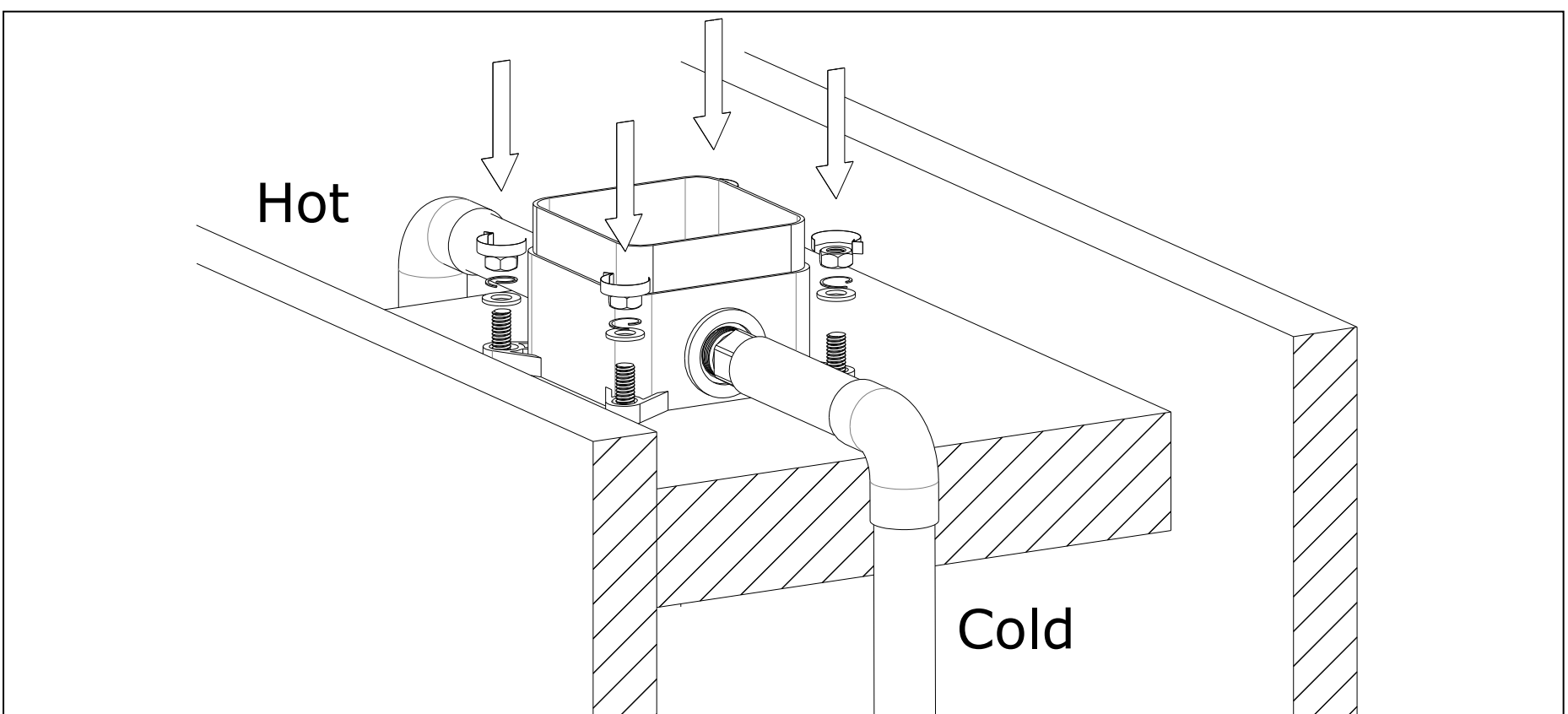
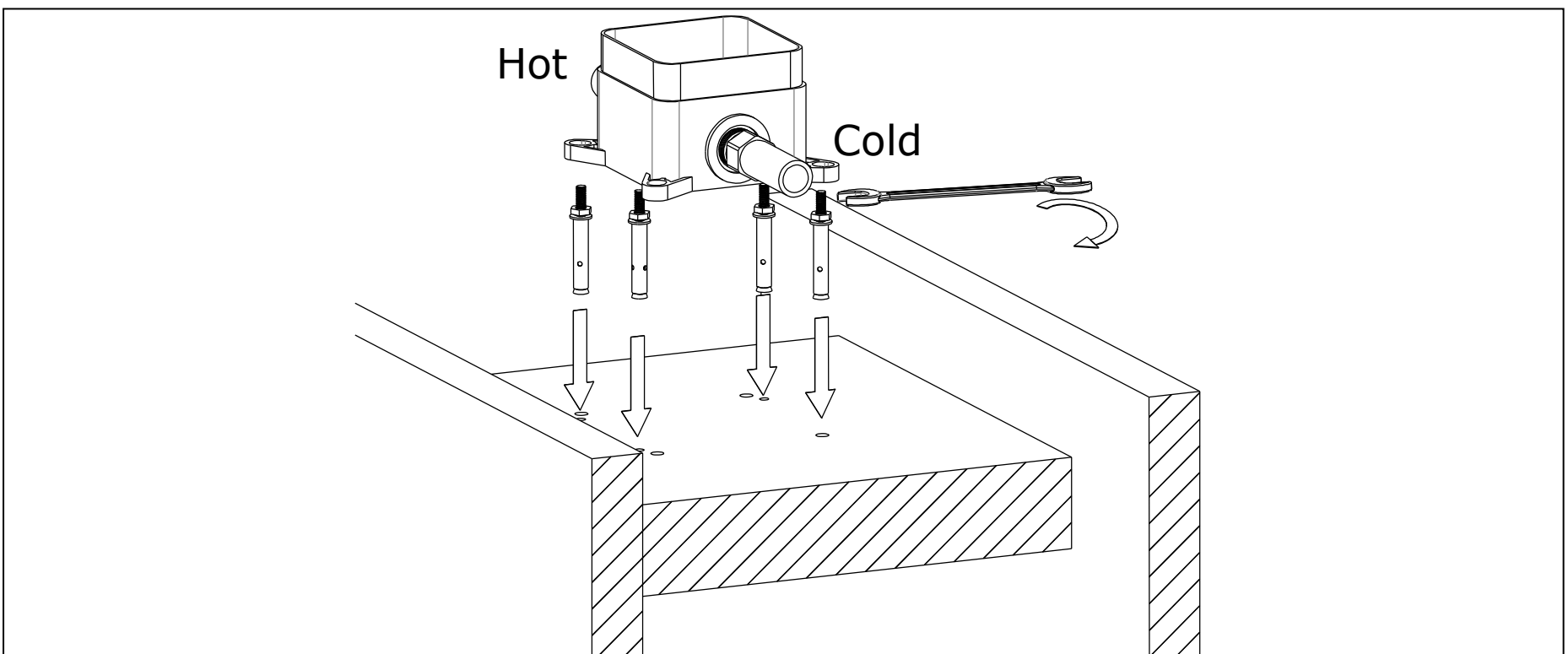
4.3 Locate the position on the wood support where the rough-in valve will be installed. Use the rough-in valve as a guide to mark the four mounting holes locations.

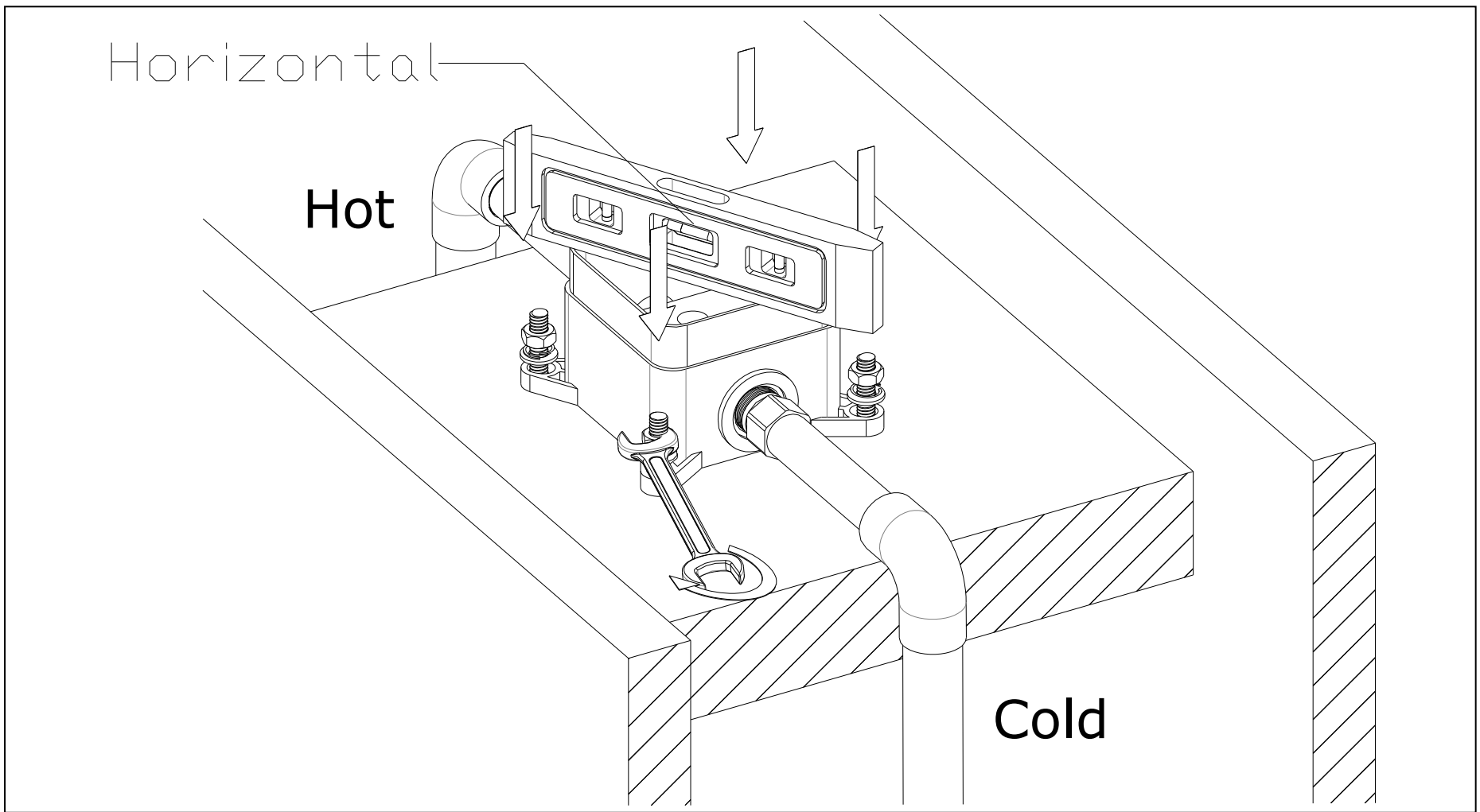


4.4 Drill four pilot holes of 13/32" [10 mm] in diameter



4.5 Install the 4 mounting screws into wood support and install rough-in valve onto the 4 mounting screws and tighten nuts & washers supplied



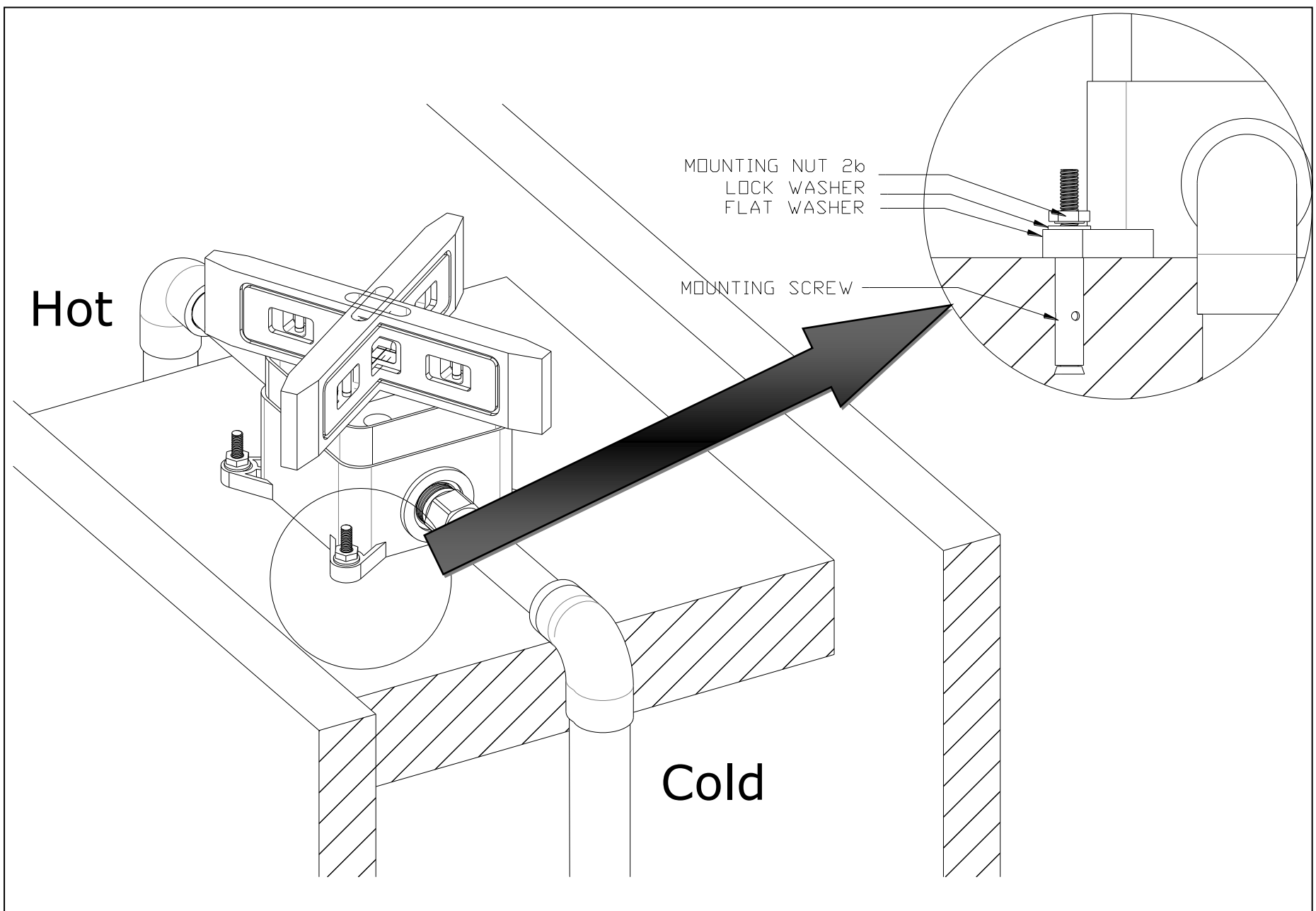


4.6 LEVEL ROUGH-IN VALVE(CONCEALED BOX)

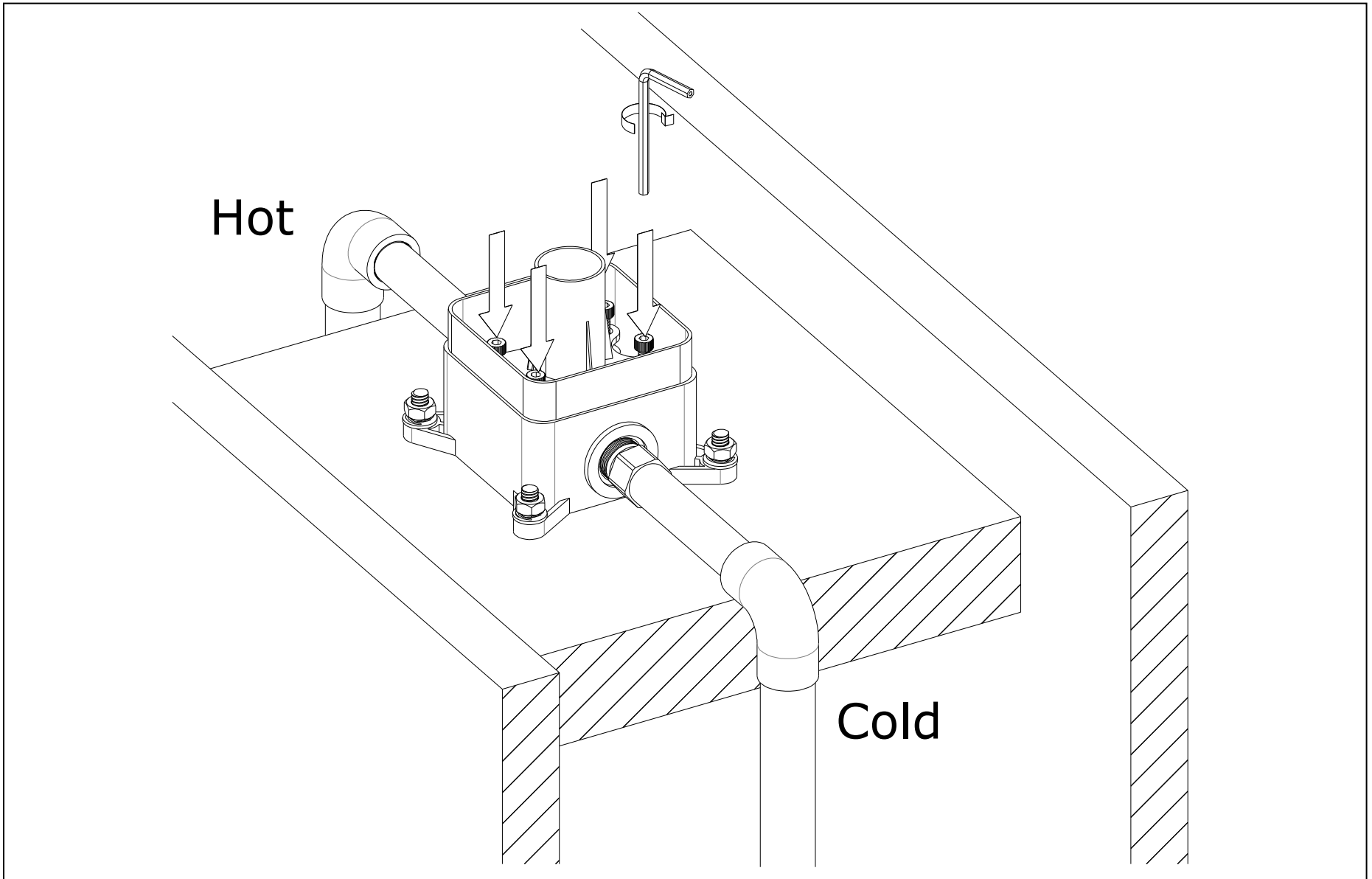
Check that top of the rough-in valve is level in all directions. If the rough-in valve is not level follow the steps below.

- (1) Loosen the four mounting nuts(2b).
- (2) Adjust until the concealed box is level in all directions.
- (3) Tighten the four mounting nuts(2b)

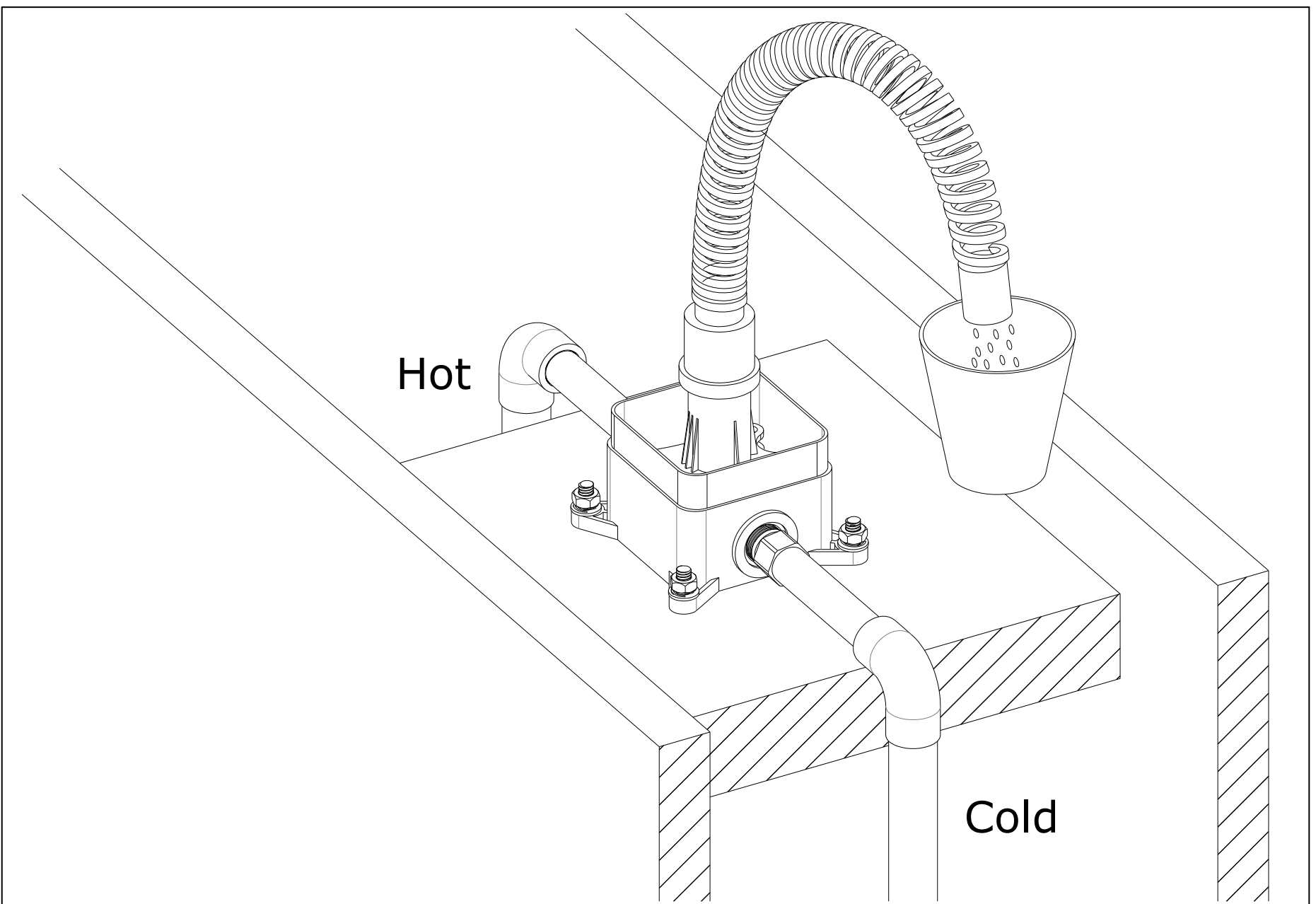
Verify that the concealed box is level and then fully tighten nuts before next step.



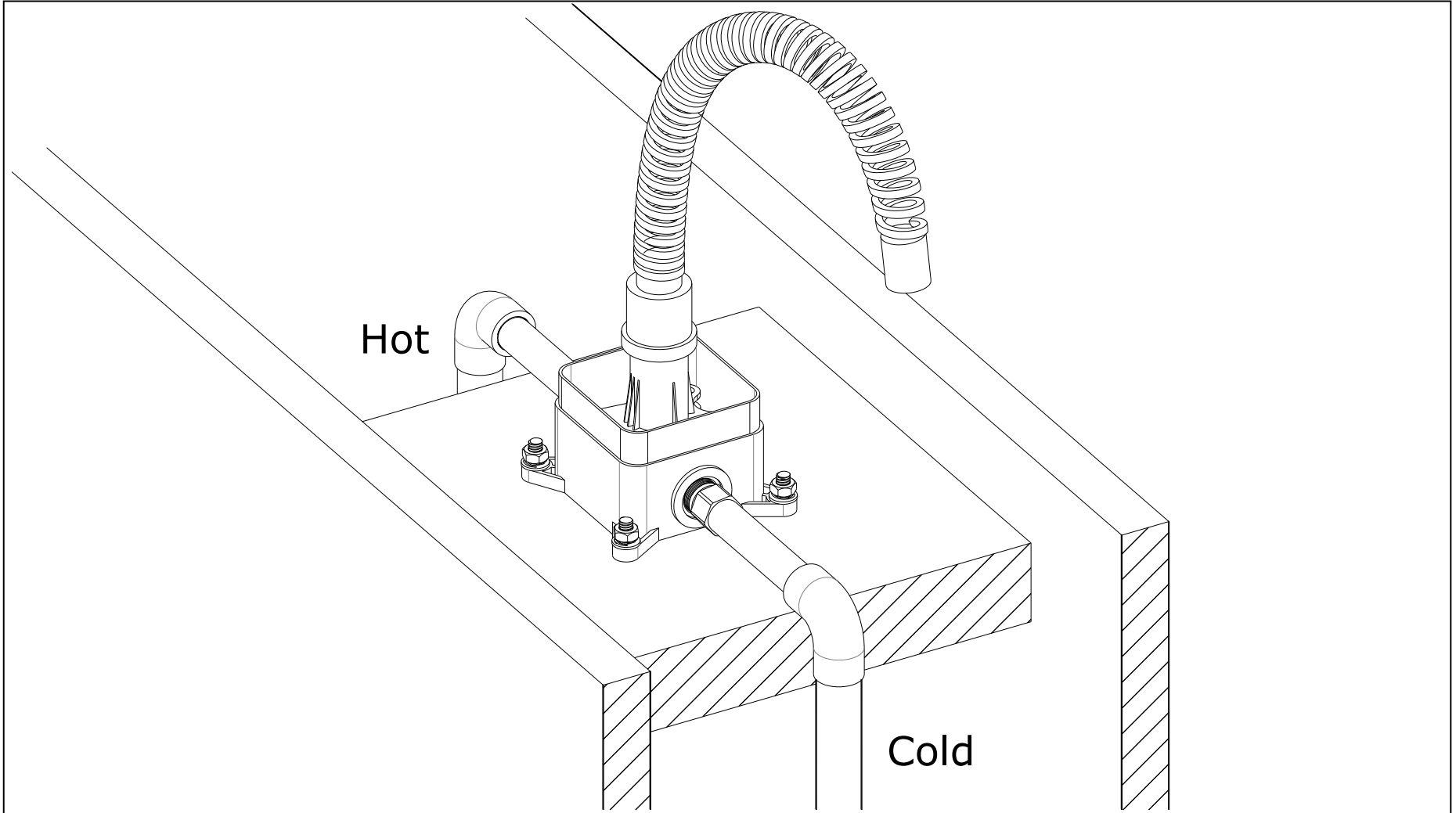
4.8 Install the Drain Pipe Adapters with the inner hexagon screw.



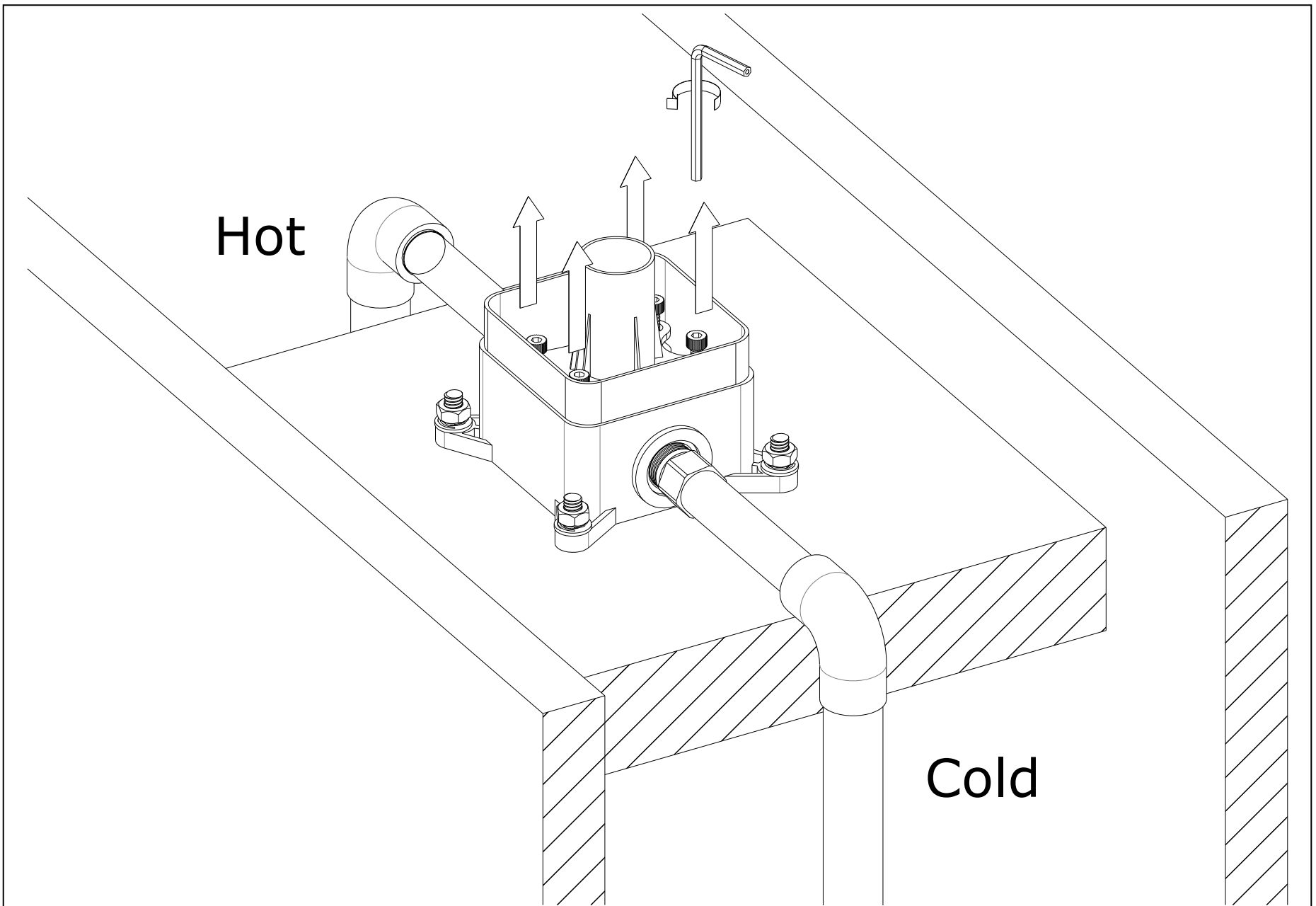
4.9 Connect the supplied Drain Pipe to Drain Pipe Adapters and turn on the water supplies to flush 3~5 minutes to flush out dirt and debris.

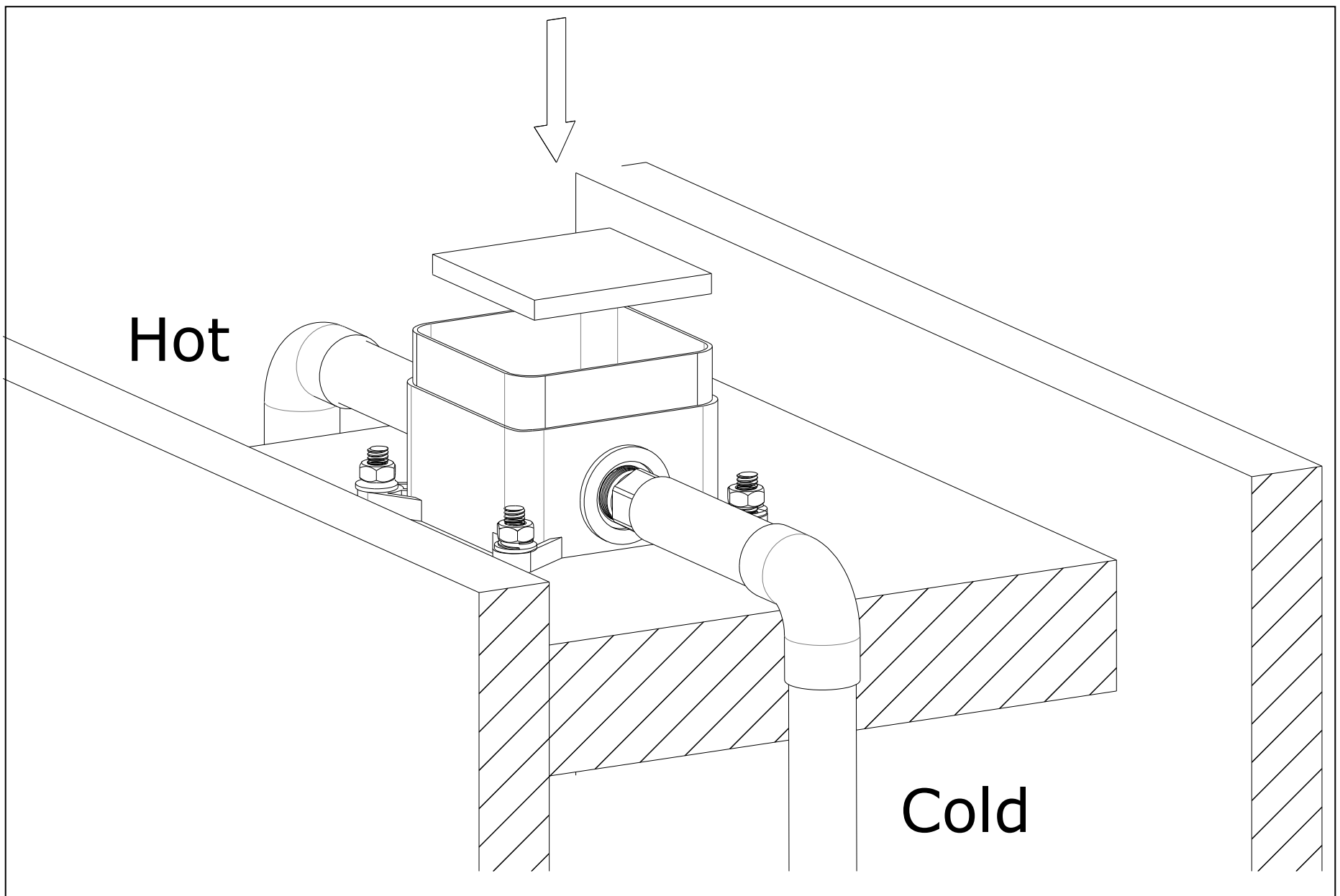


5.0 (a) Shut off the water supply and keep the Drain Pipe on Drain Pipe Adapters for dust-proof during further installation.

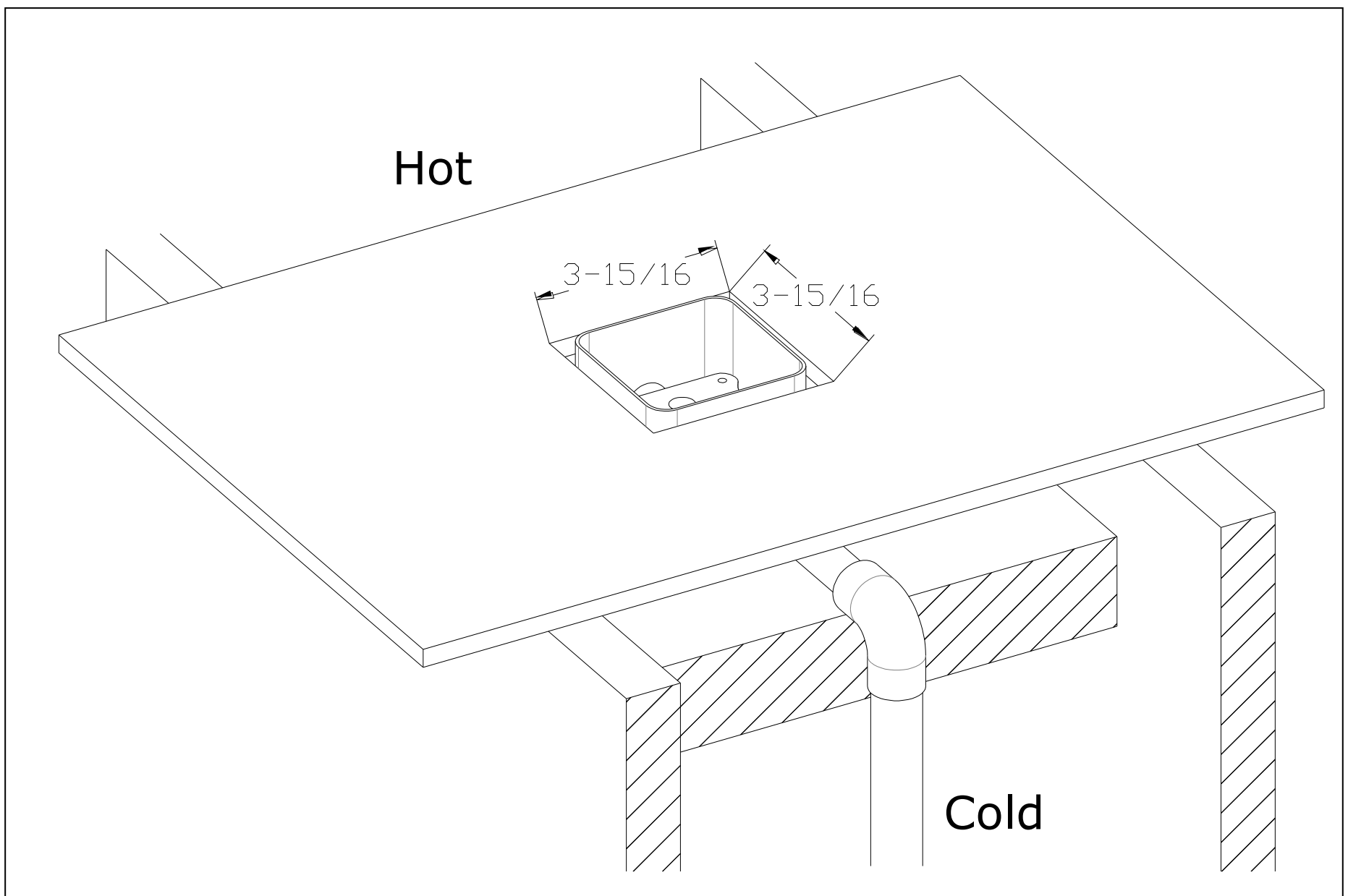


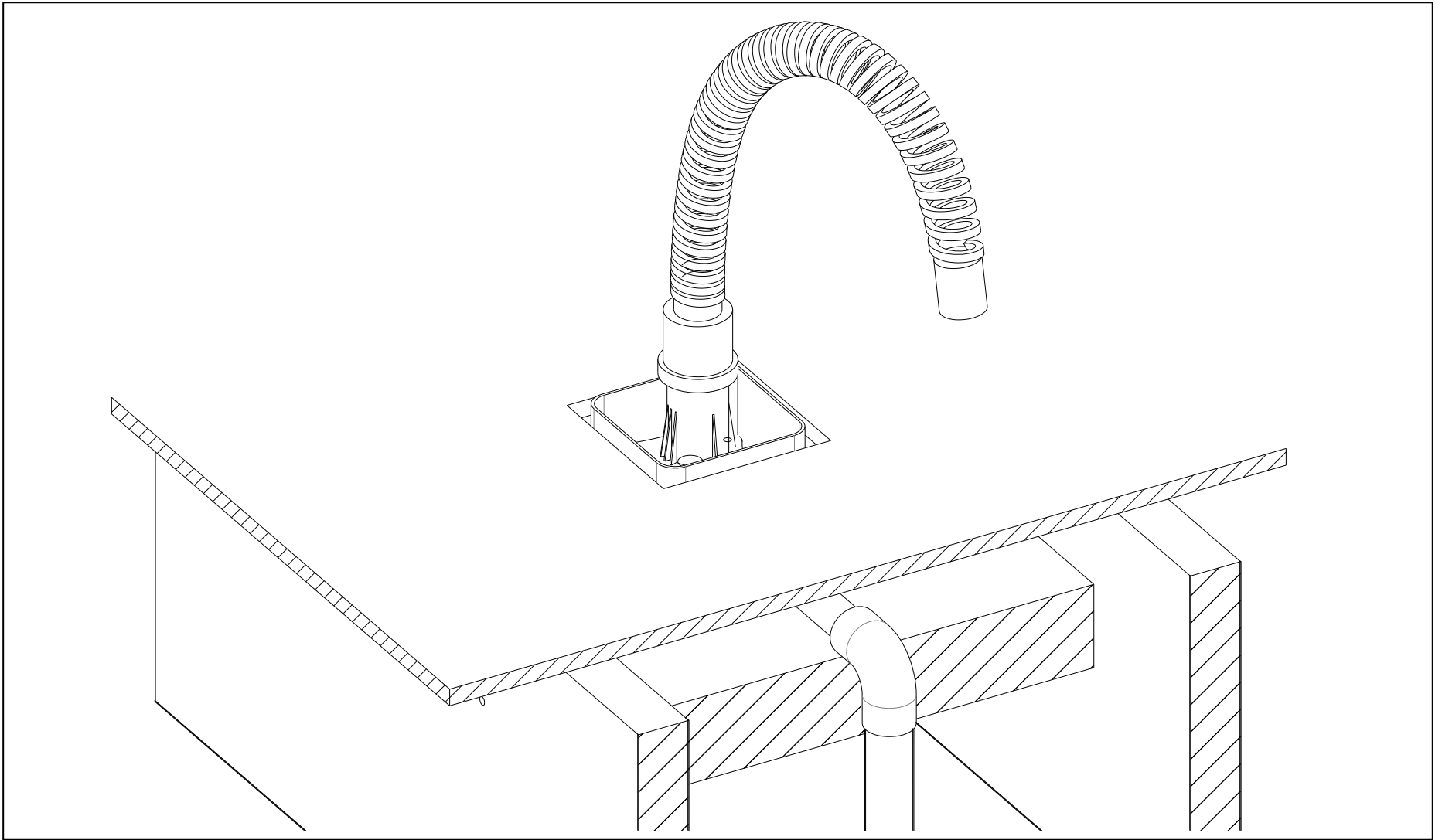
(b) Optional Step : Remove the Drain Pipe Adapters and cover the conceal box with dust cover(not provide)



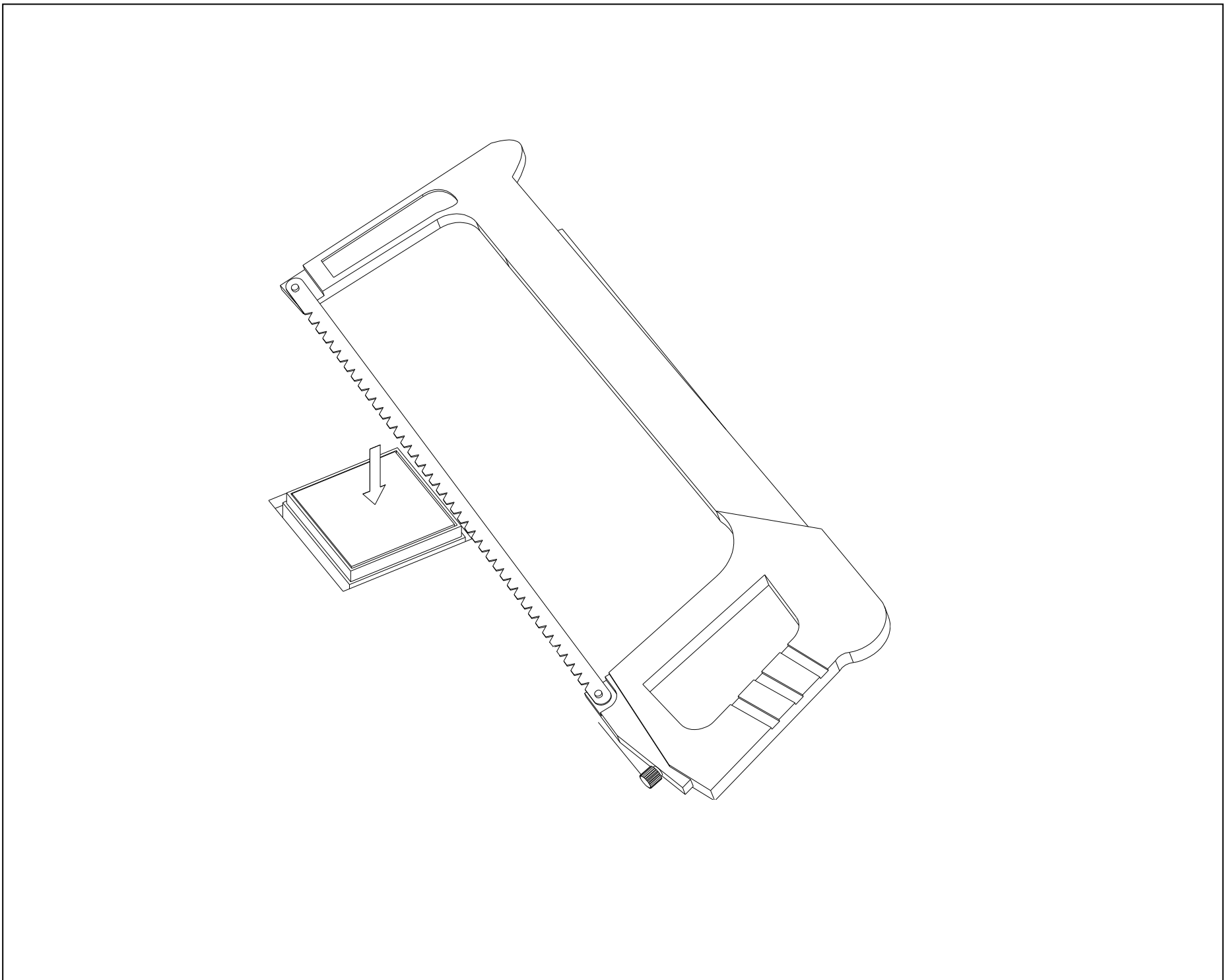


5.1 Done the finished floor.

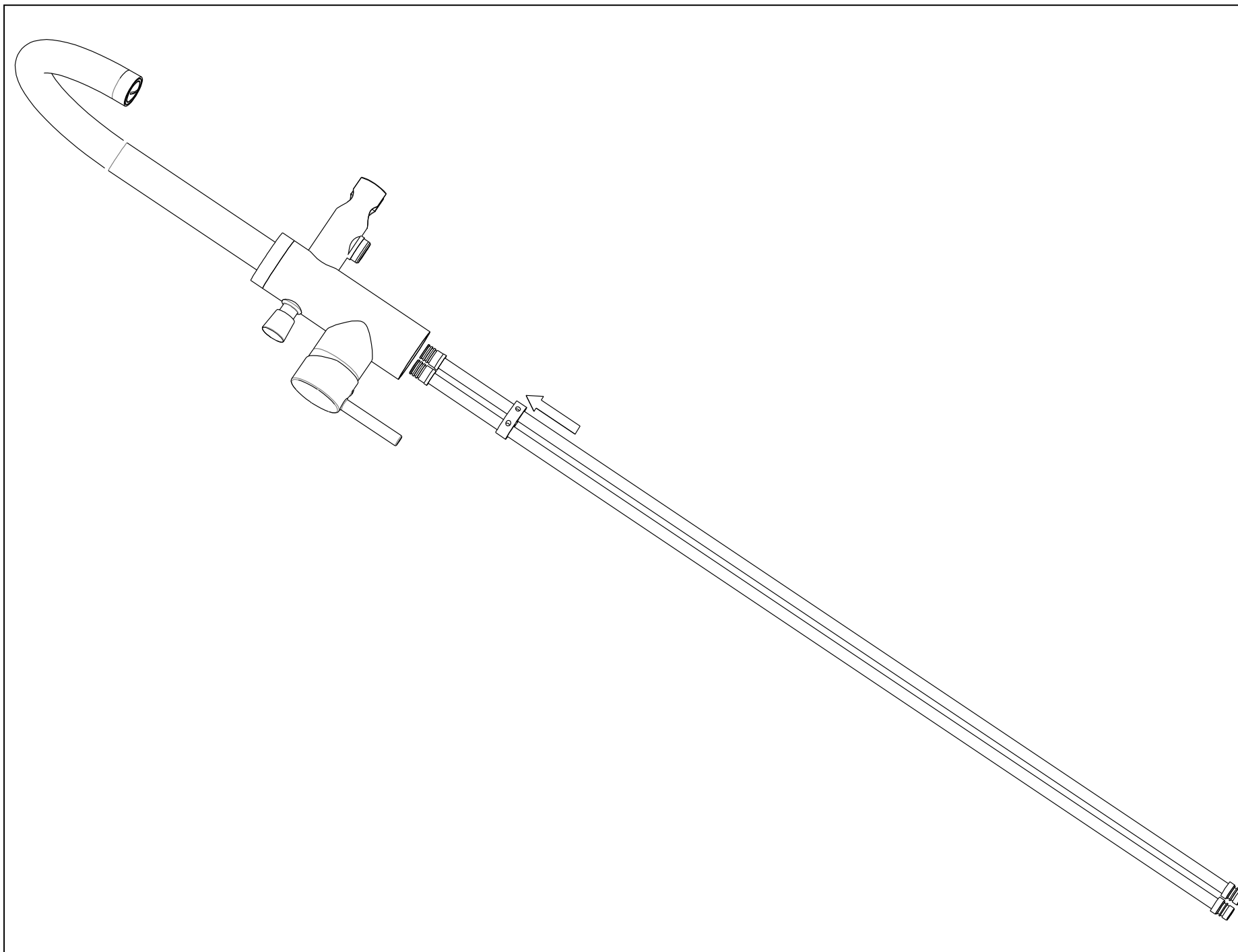




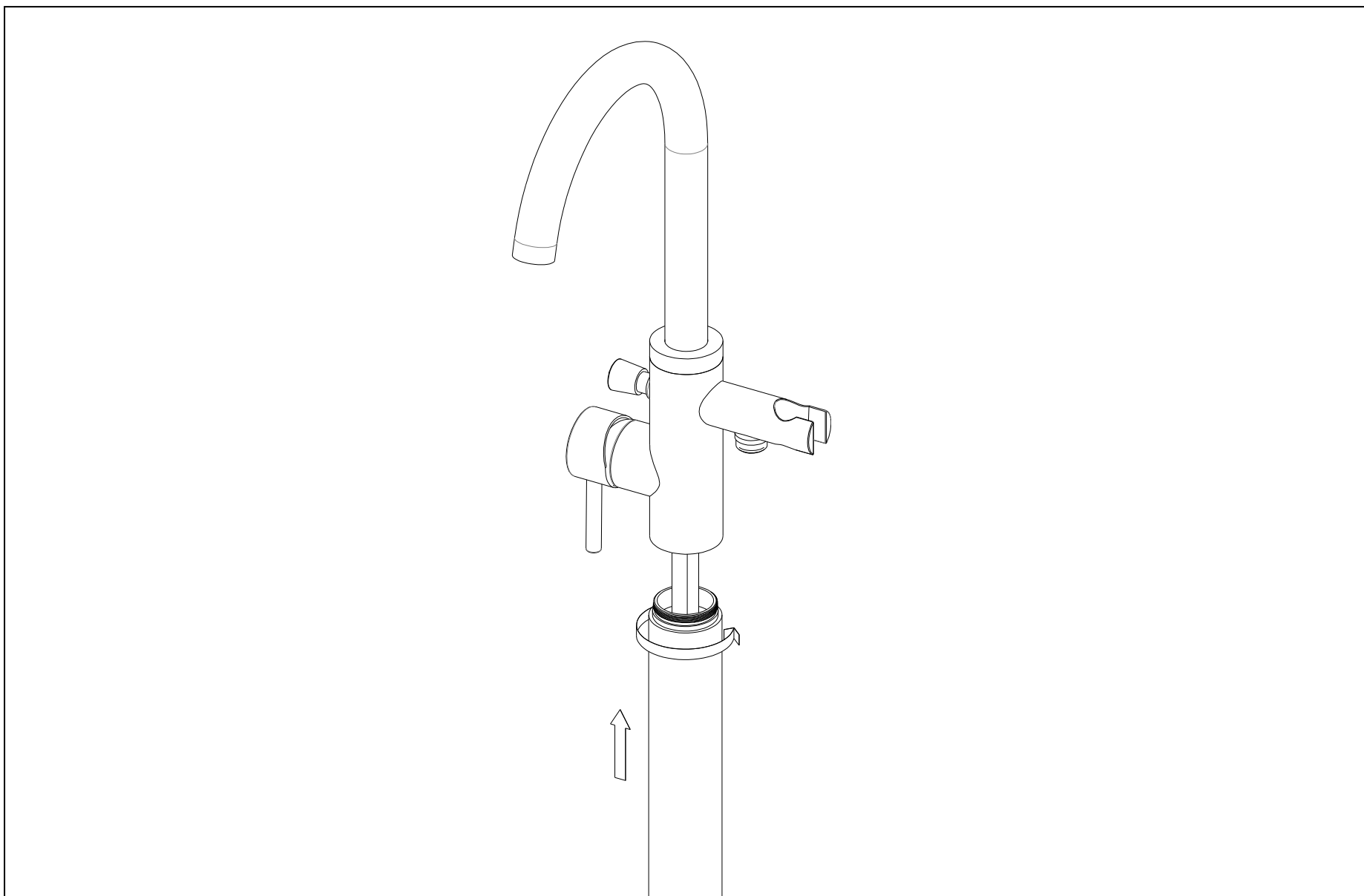
5.2 Cut excess section of concealed box above the finished floor if necessary.



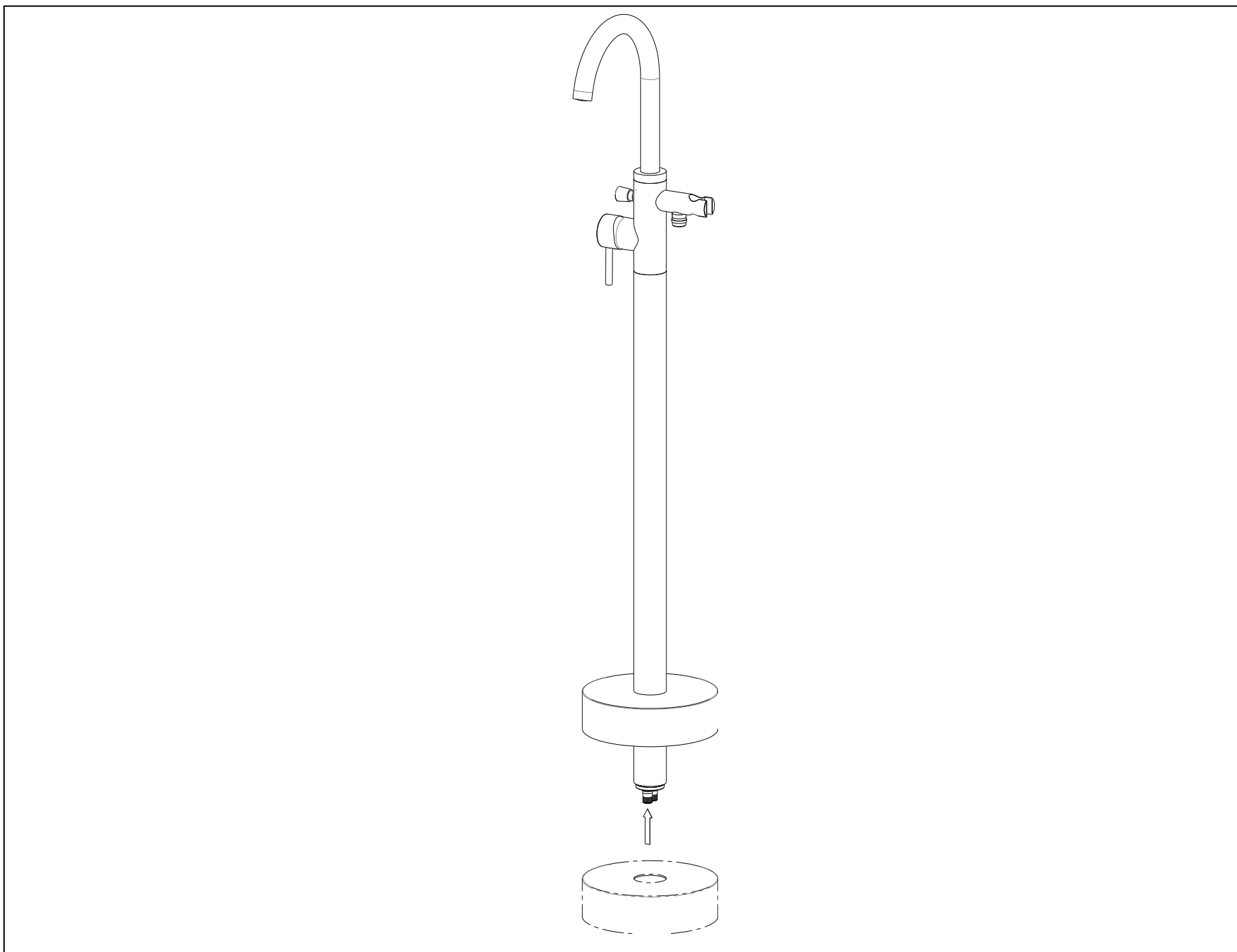
5.3 Install the Hot/Cold Brass Supply riser to faucet body assembly.



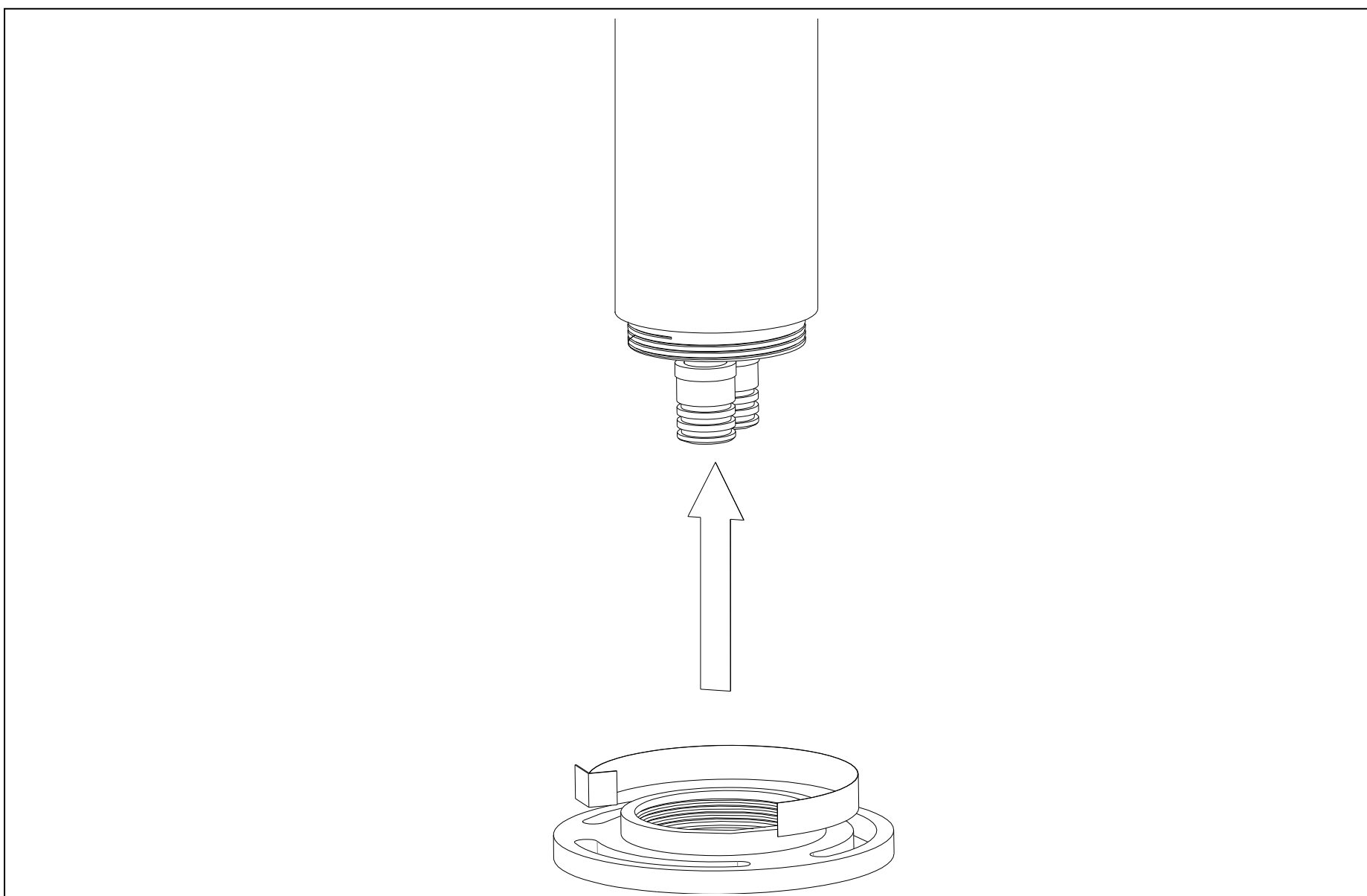
5.4 Install the standpipe to faucet body assembly.



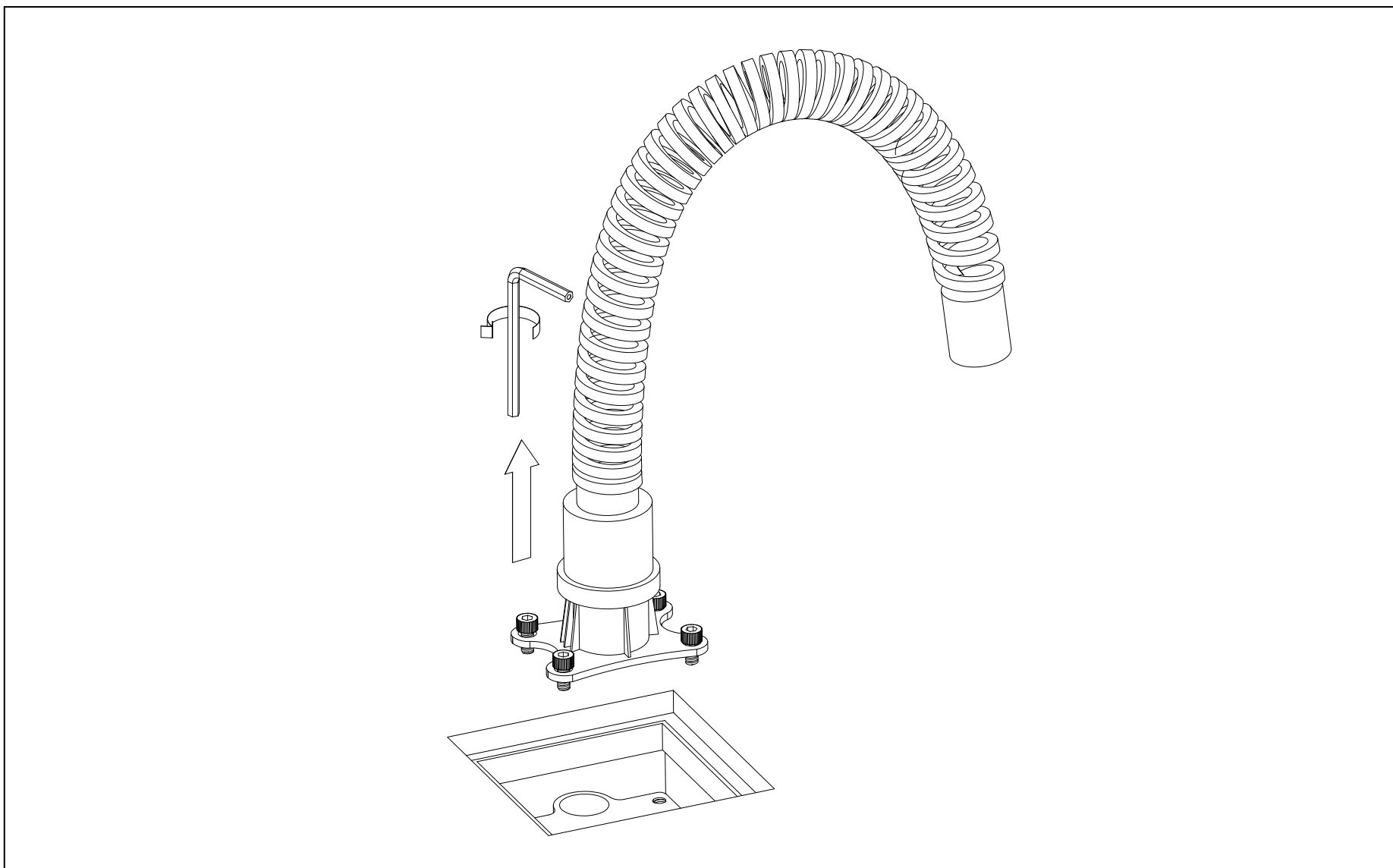
5.5 Place the escutcheon over the standpipe.



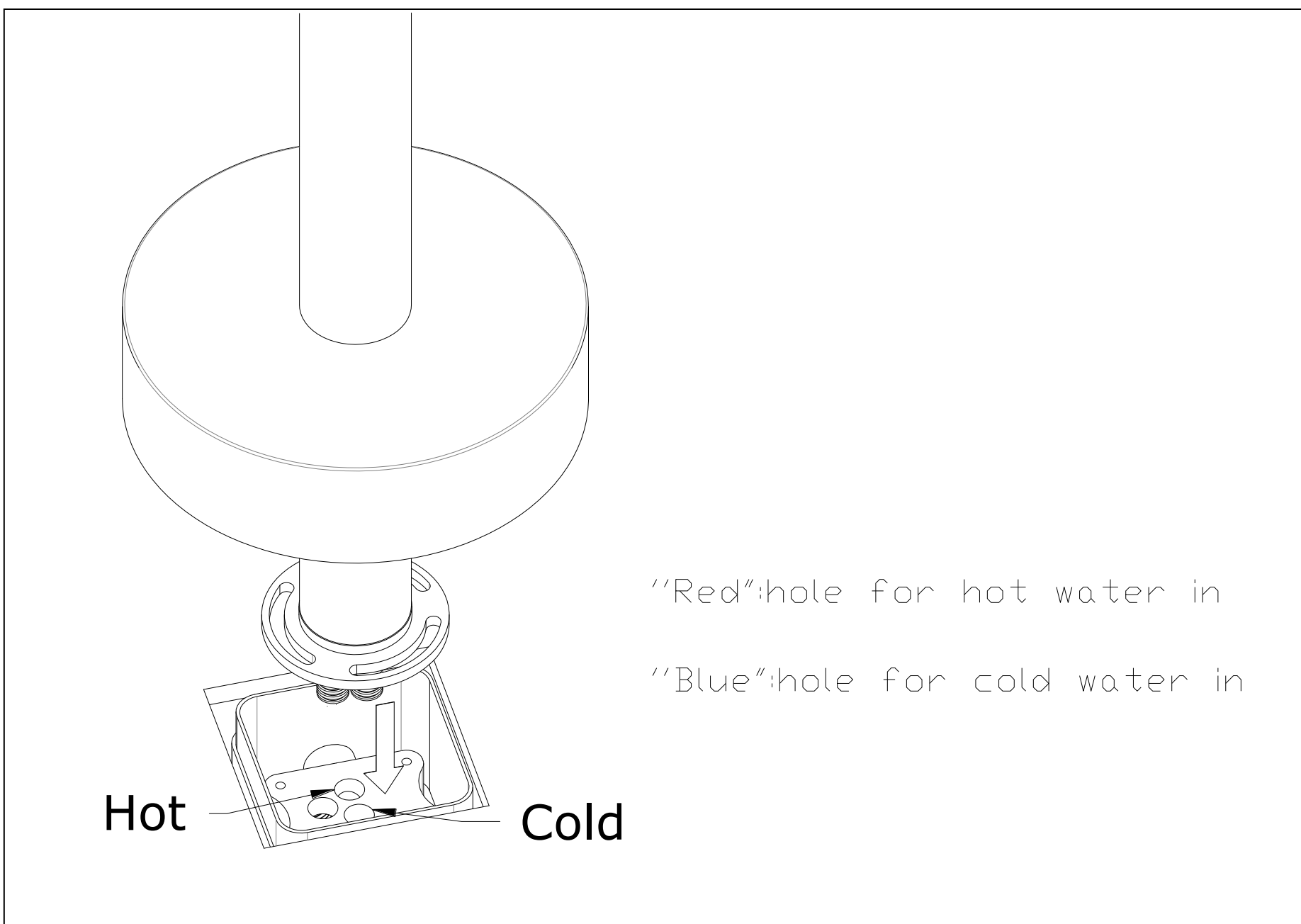
5.6 Install the mounting base to standpipe and fasten it.



5.7 Remove the Drain Pipe Adapters and the Drain Pipe or the dust cover from the concealed box.



5.8 Align the hot&cold water brass risers and insert into the rough-in valve.



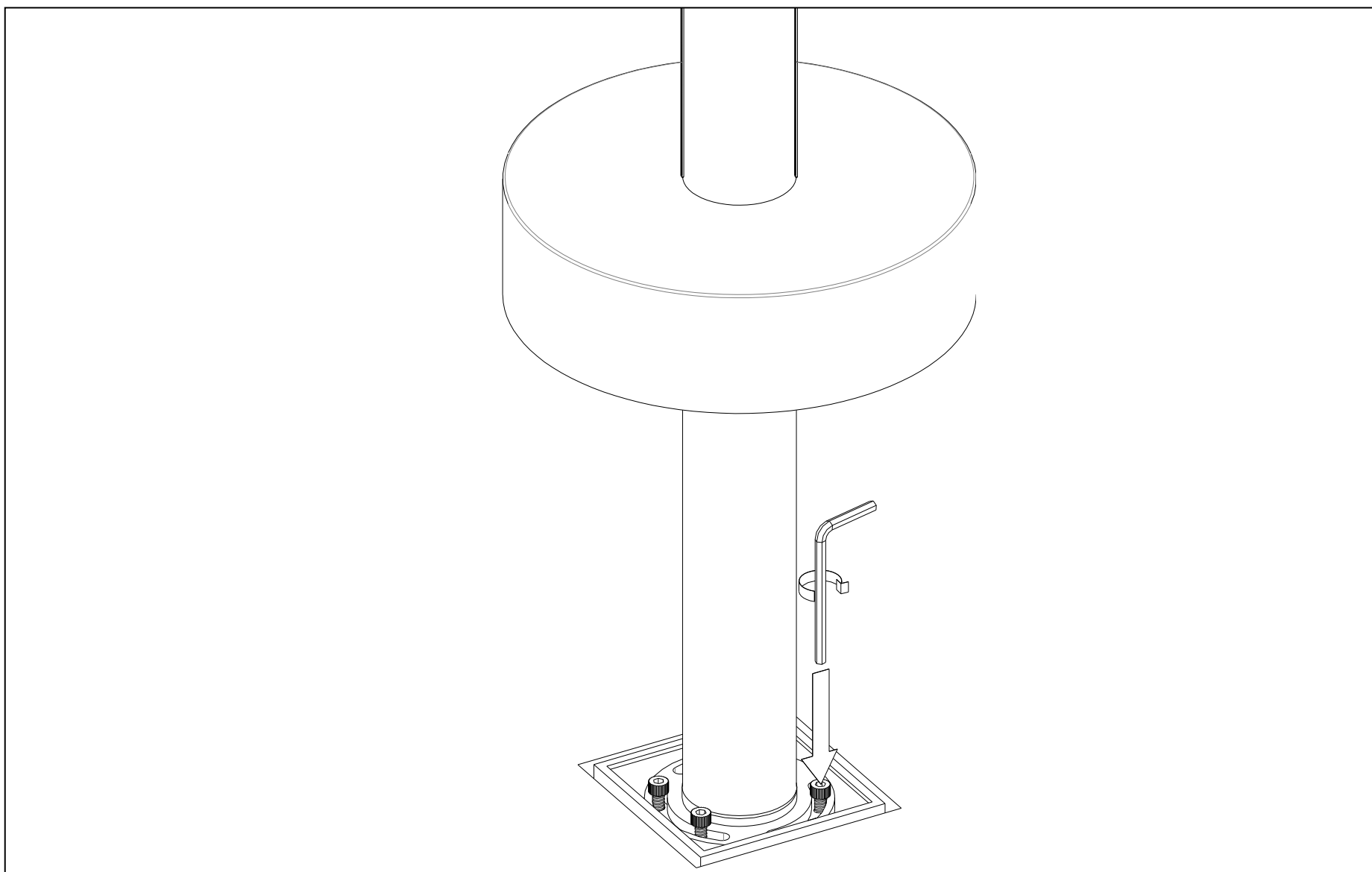
"Red":hole for hot water in

"Blue":hole for cold water in

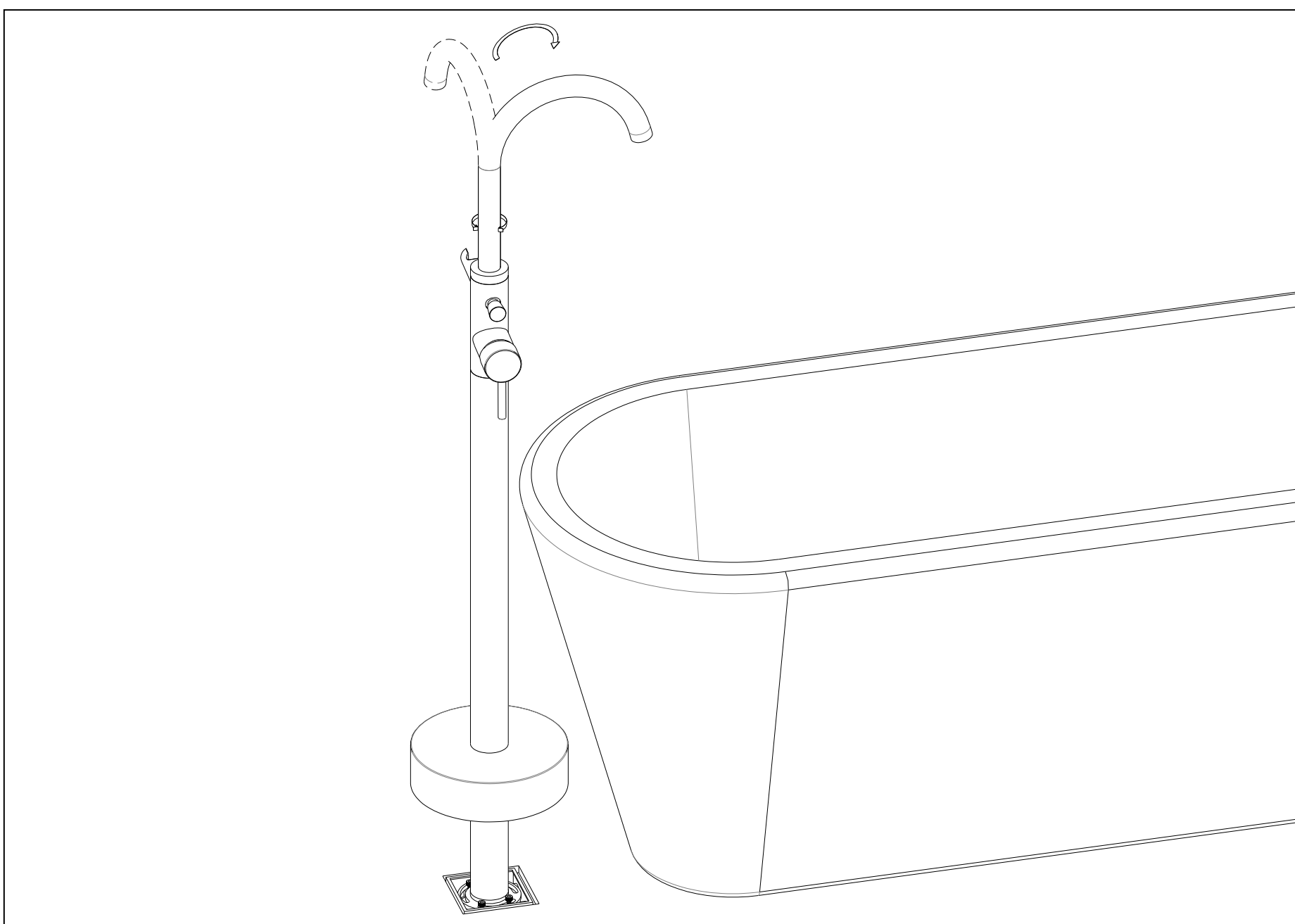
Hot

Cold

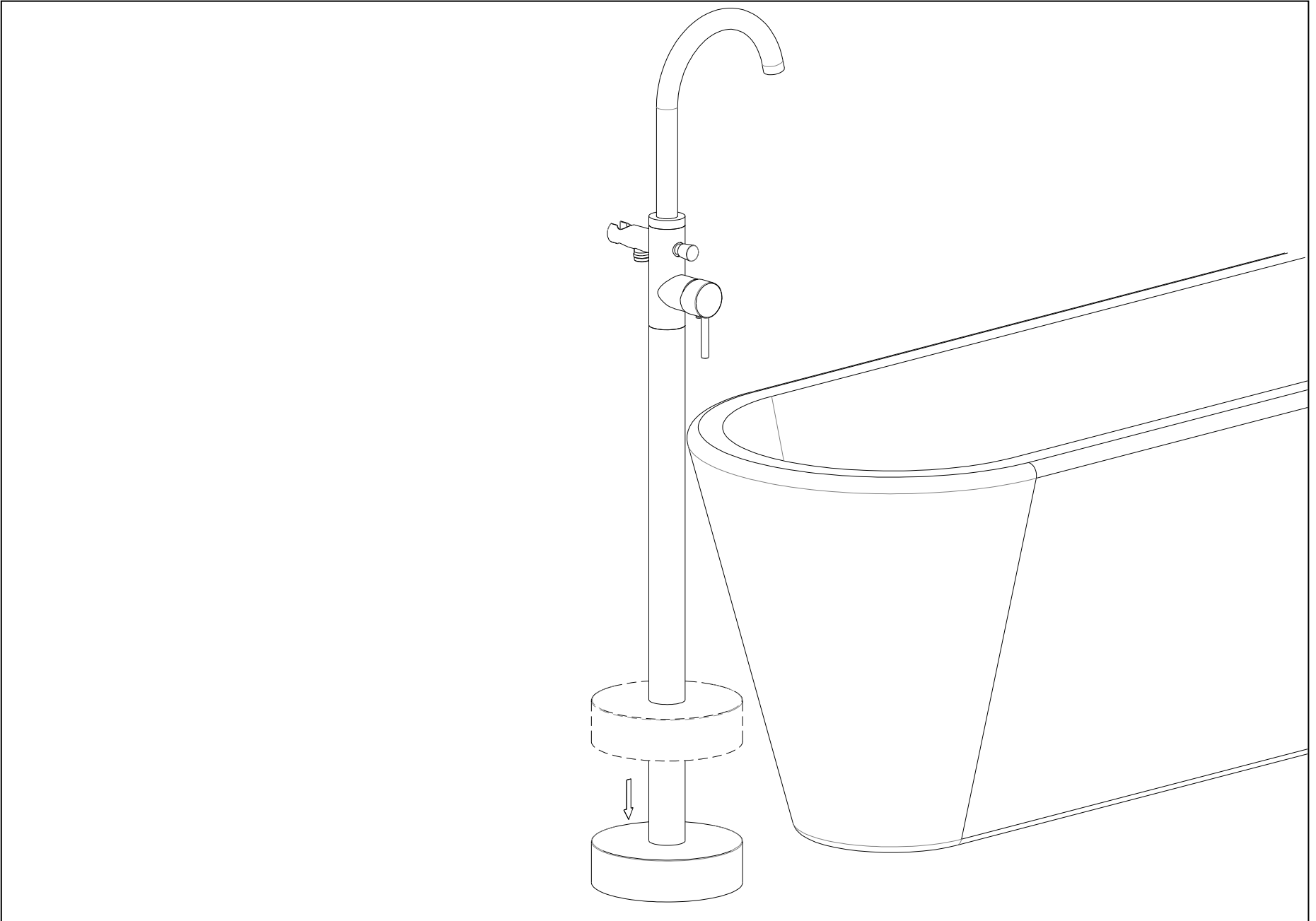
5.9 Install the mounting screws and fasten them.



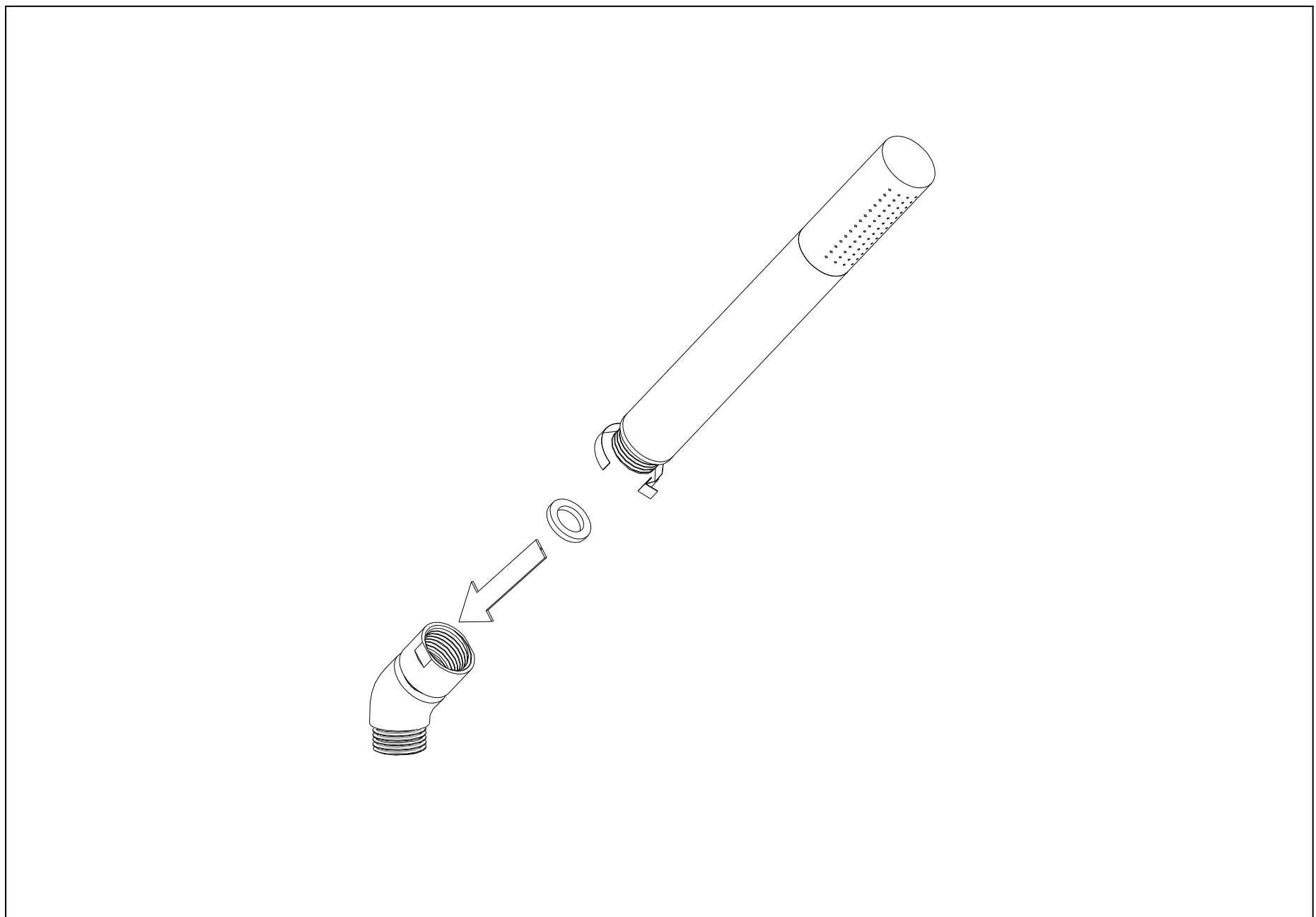
5.10 Adjusting faucet spout to desired direction by rotating spout.



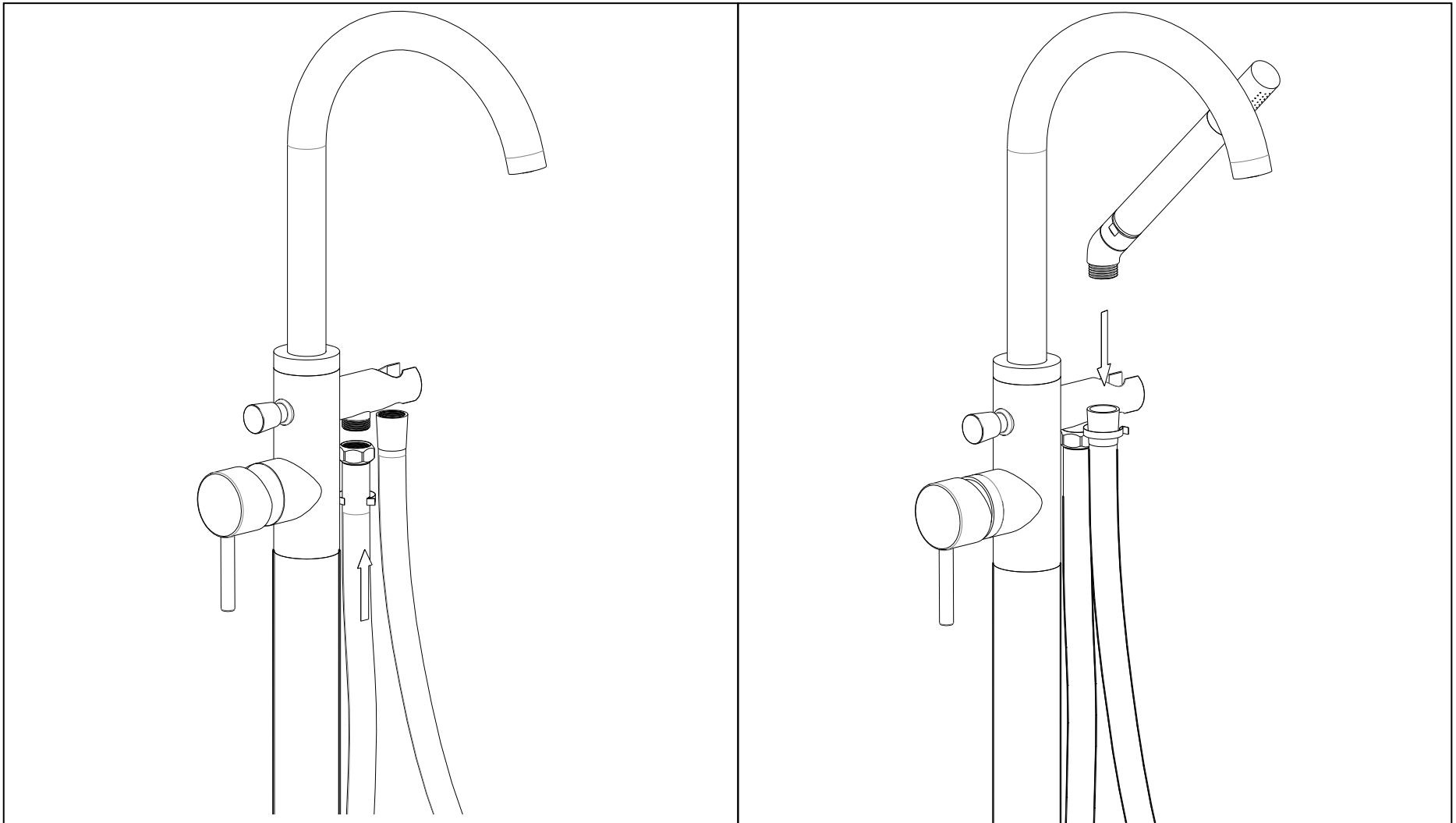
5.11 Plush the escutcheon to the finished floor.



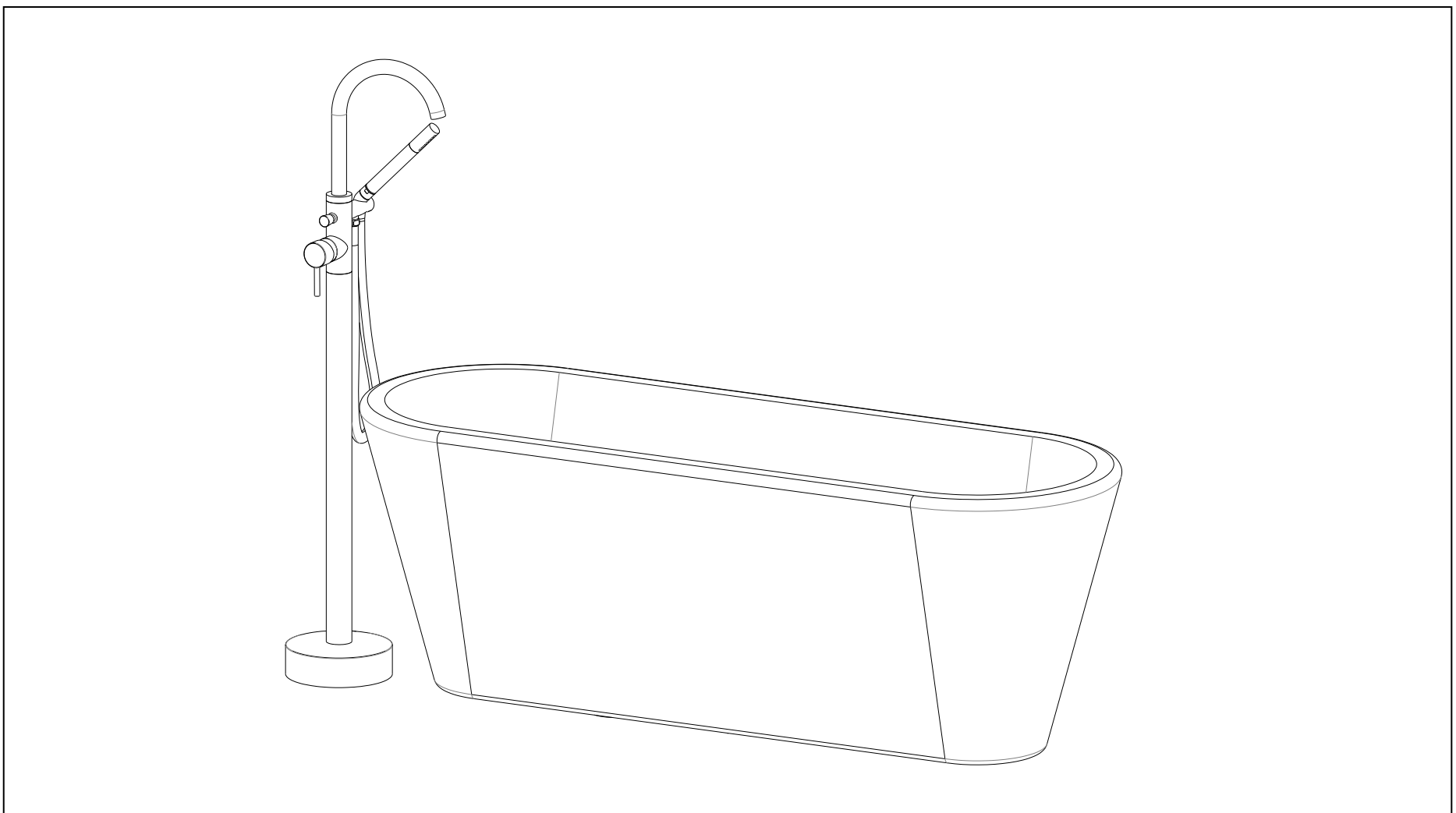
5.12 Install the hand shower to the hand shower adapter.



5.13 Connect one end of the shower hose to the mixer outlet and the other end to the hand shower adapter. Ensure the washer is in each end for seal.



5.14 Assemble finished.



6. INSPECTION

6.1 Turn on hot and cold water supply and check all connection for ensuring no leaking anywhere.

INSTALL FINISH

CLEARNING RECOMMENDATION FOR SUMERAIN PRODUCTS

Modern lavatory faucets, kitchen faucets, and showers consist of very different materials to comply with the needs of the market with regard to design and functionality. To avoid damage and returns, it is necessary to consider certain criteria when cleaning.

Cleaning Materials for faucets and showers

Acids are a necessary ingredient of cleaning materials for removing lime, however please pay attention to the following points when cleaning faucets and showers:

- Only use cleaning materials which are explicitly intended for this type of application.
- Never use cleaning materials which contain hydrochloric, formic, phosphoric, or acetic acid, as they cause considerable damage.
- Never mix one cleaning material with another.
- Never use cleaning materials or appliances with an abrasive effect, such as unsuitable cleaning powders, sponge pads, or micro fiber cloths.

Cleaning instructions for faucets and showers

Please follow the cleaning material manufacturer's instructions. In addition, pay attention to the following points:

- Clean the faucets and showers as and when required.
- Use the amount of cleaning product and the amount of time recommended by the manufacturer. Do not leave the cleaner on the fixture longer than necessary.
- Regular cleaning can prevent calcification, if scale deposits are noticed on the faucet surface or the spout, you can clean it by a commercial limescale remover, such as Lime-Away® or CLR®. Dilute the remover according to the label instructions.
- The faucets might have some rusty if your faucet under hard water condition, please rub it with aluminum foil dipped in water until the surface is nice and smooth, and wipe it use a small amount of chrome polish or maybe something like car wax (such as Meguiar®, Turtle Wax®) or polish.
- For stainless steel faucet and spout both made of solid stainless, normally this finish has not protective coating on it (in particular waterfall spout inside), stainless steel is by its material nature very tarnish resistant, but by no means tarnish or stain proof. This finish might oxidize naturally over time and react to its environment. Keep your stainless fixture wiped clean and dry and use only a cleaner specifically made for stainless steel (such as Weiman®, CLR®).
- When using spray cleaners, spray first onto a soft cloth or sponge, never spray directly onto the faucet as droplets can enter openings and gaps and cause damage.
- After cleaning, rinse thoroughly with clean water to remove any cleaner residue.

Important

Residues of liquid soaps, shampoos, and shower foams can also cause damage, so rinse with clean water after using.



Please note: if the surface is already damaged, the effect of cleaning materials will cause further damage.

**Components with damaged surfaces must be replaced or injury could result.
Damage caused by improper treatment is not covered under the warranty.**

SUMERAIN®

HONGKONG SUMERAIN SANITARY INDUSTRY CO., LIMITED

Address: ROOM 1018, HOLLYWOOD PLAZA 610 NATHAN ROAD MONGKOK,
KL, HONGKONG

Factory Address:

Floor 3th, No.2 ZhongXing Road, ShuiNuan City Industrial Zone, Shuikou town, Kaiping City,
Guangdong Province,
China

U.S. Support line: +1-866-203-0866

Factory Tel: +86-750-2731579

Web: <http://www.sumerain.com>

E-mail: supports@sumerain.com

SUMERAIN®

SUMERAIN SANITARY GROUP WWW.SUMERAIN.COM