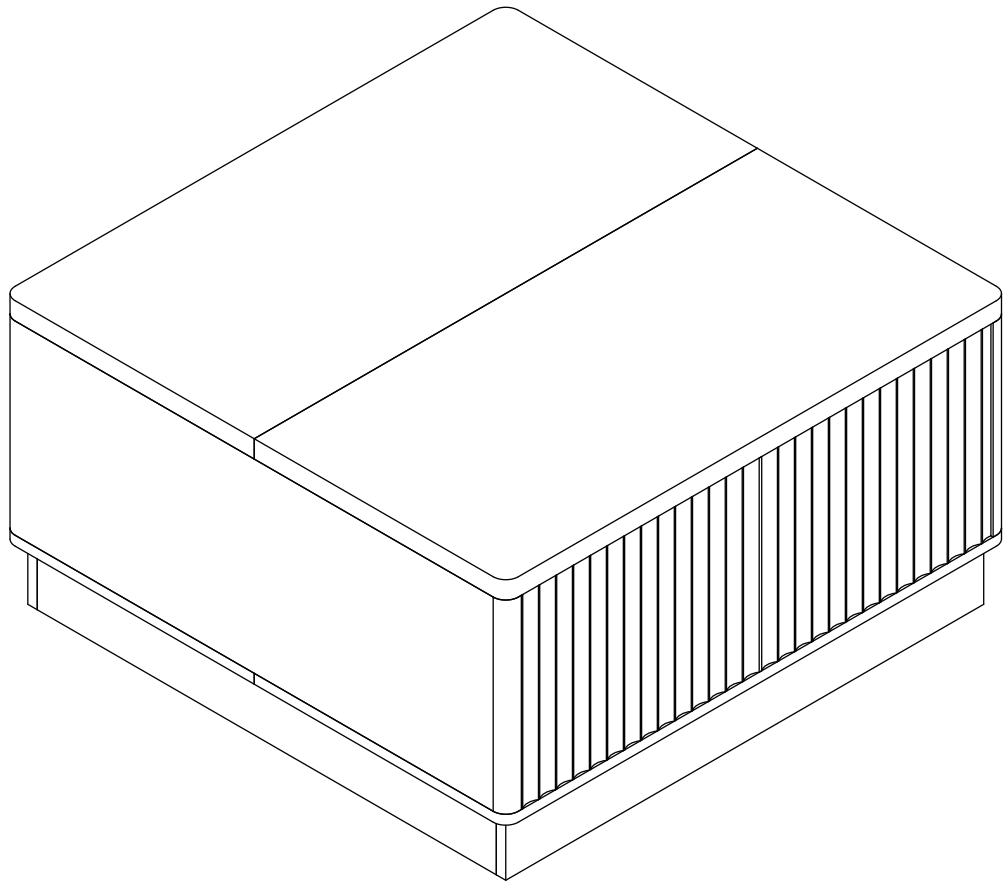


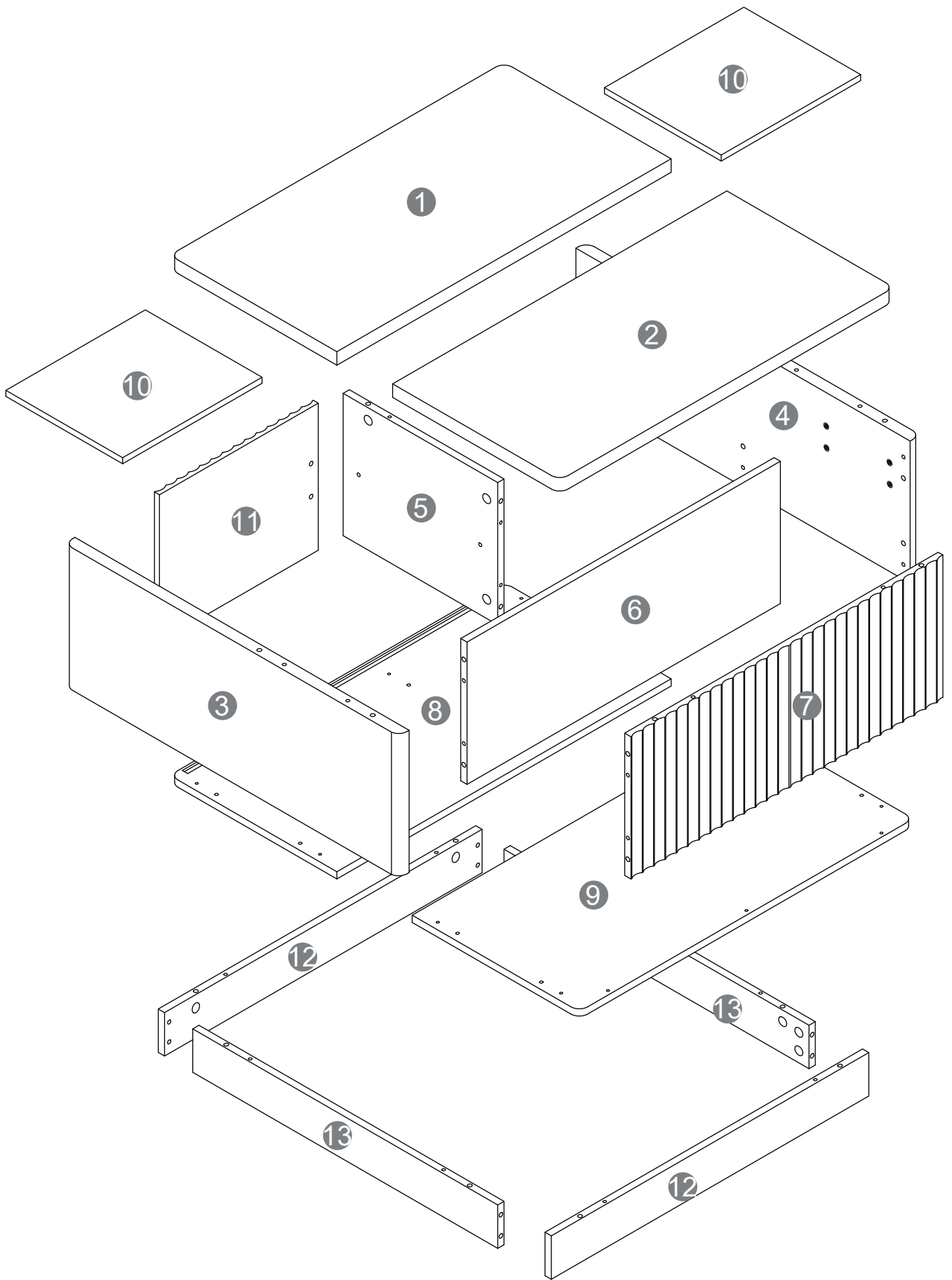
# Assembly Instructions

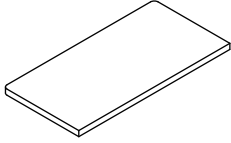
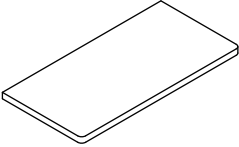
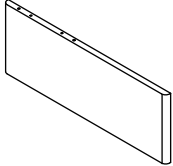
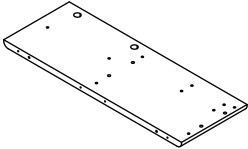
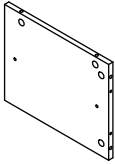
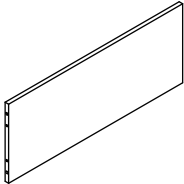
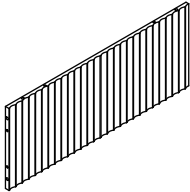
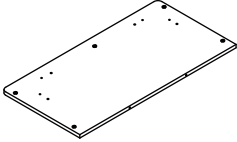
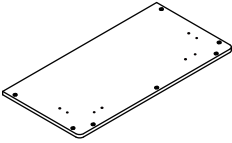
Two-person assembly required

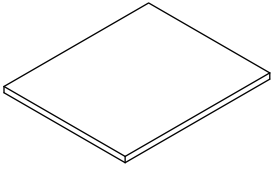
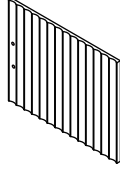
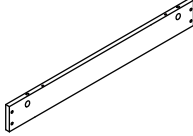
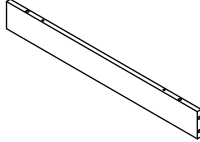





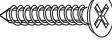
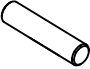

If you have any questions, please contact us

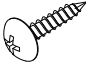



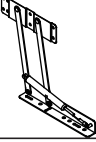
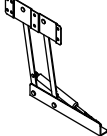
We will help you within 24 hours



Item no.	Reference Image	Qty.
1		X1
2		X1
3		X1
4		X1
5		X1
6		X1
7		X1
8		X1
9		X1

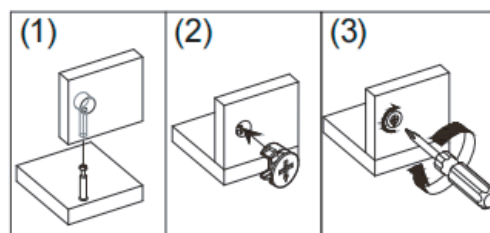
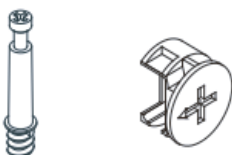
Item no.	Reference Image	Qty.
10		X2
11		X1
12		X2
13		X2

Item no.	Reference Image	Qty.
(A)	 M6*35mm	X31
(B)	 Ø15*10mm	X31
(C)	 Ø6*30mm	X32
(D)	 M4*30mm	X12
(E)		X2
(F)	 M5*14mm	X8

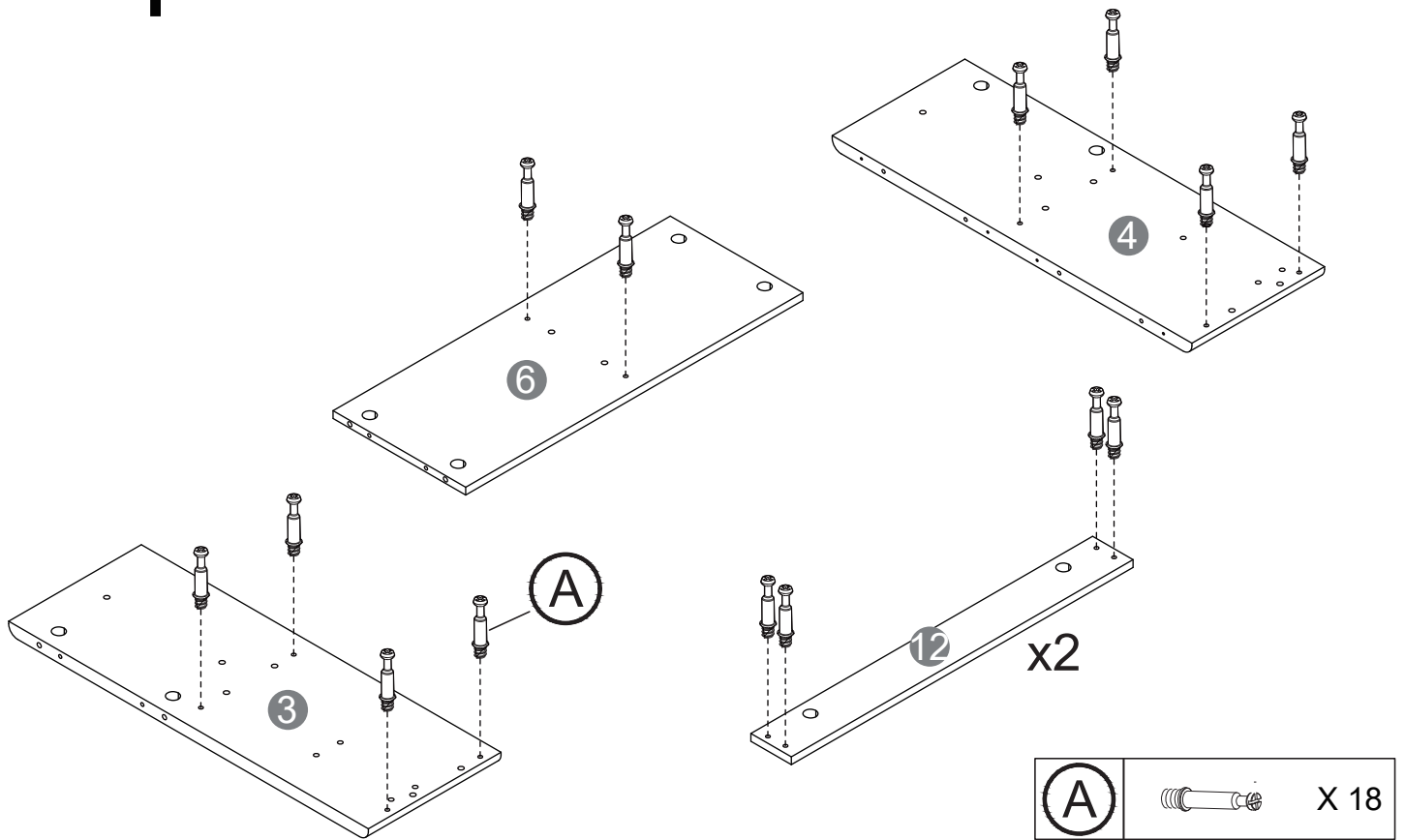
Item no.	Reference Image	Qty.
(G)	 M4*12mm	X8
(H)		X2
(I)		X1
(J)		X4
(K)		X1
(L)		X1

### Cam Lock Fastening System

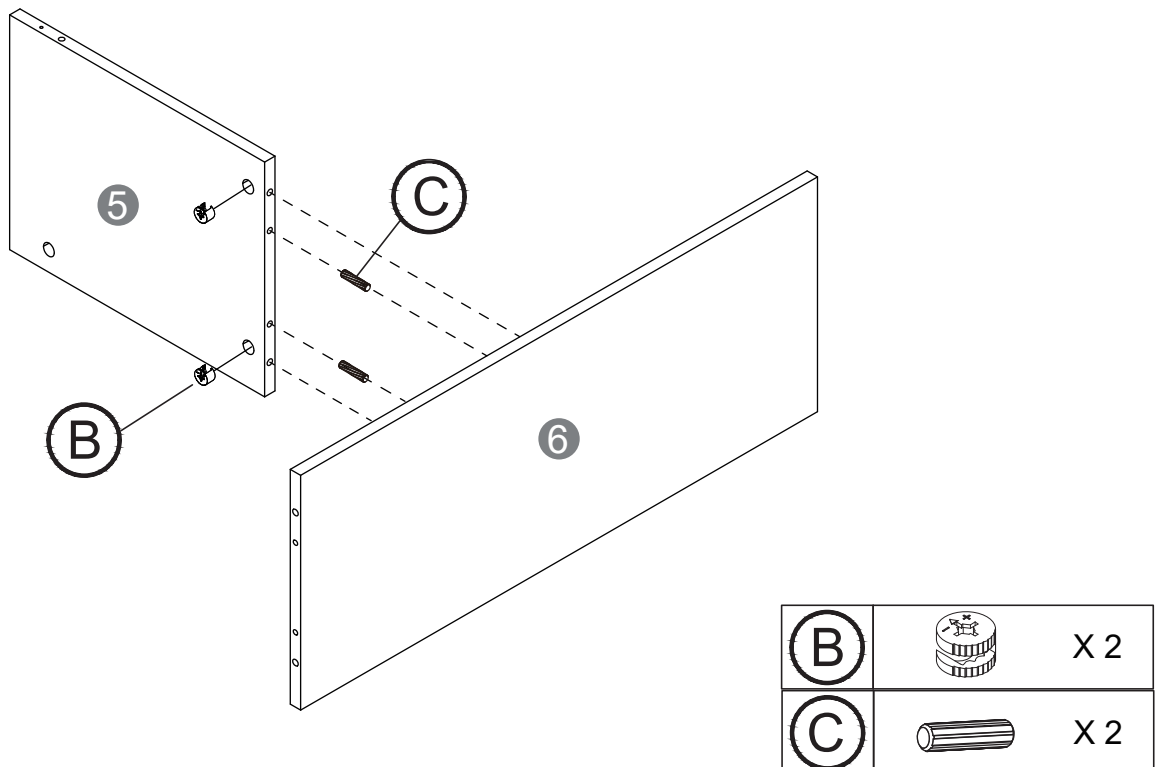
This Cam Lock Fastening System will be used throughout the assembly process



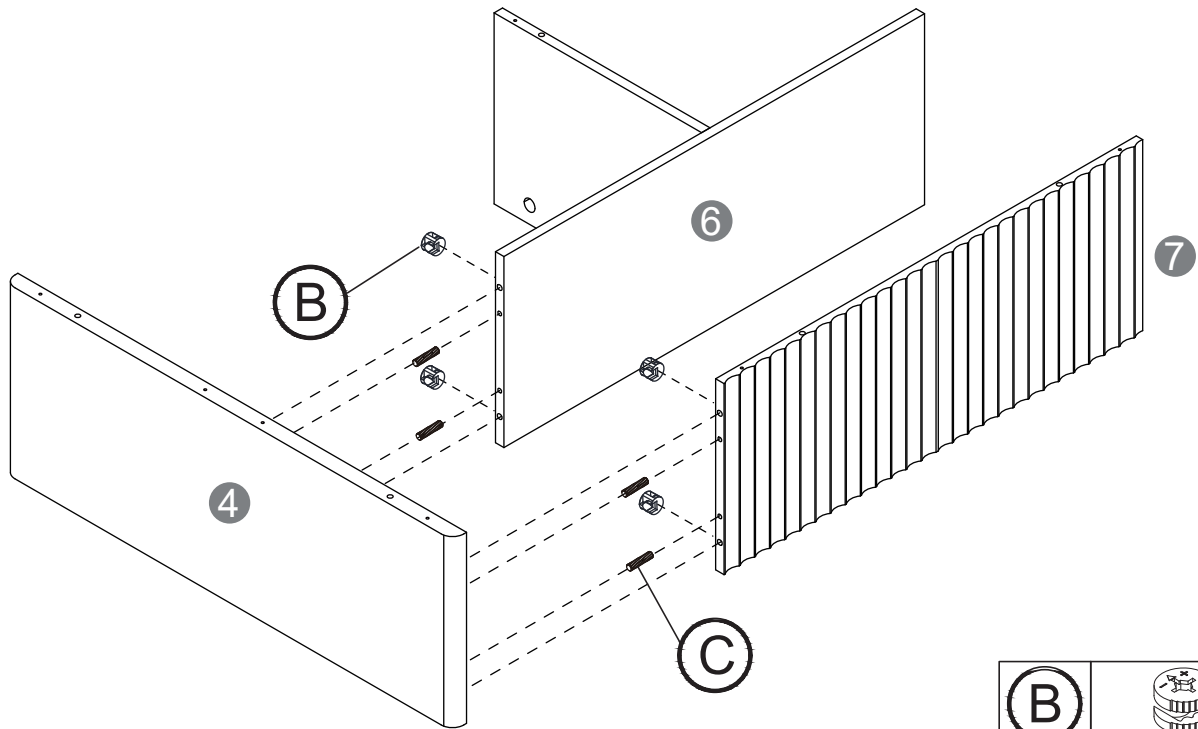
# step 1:





# step 2:

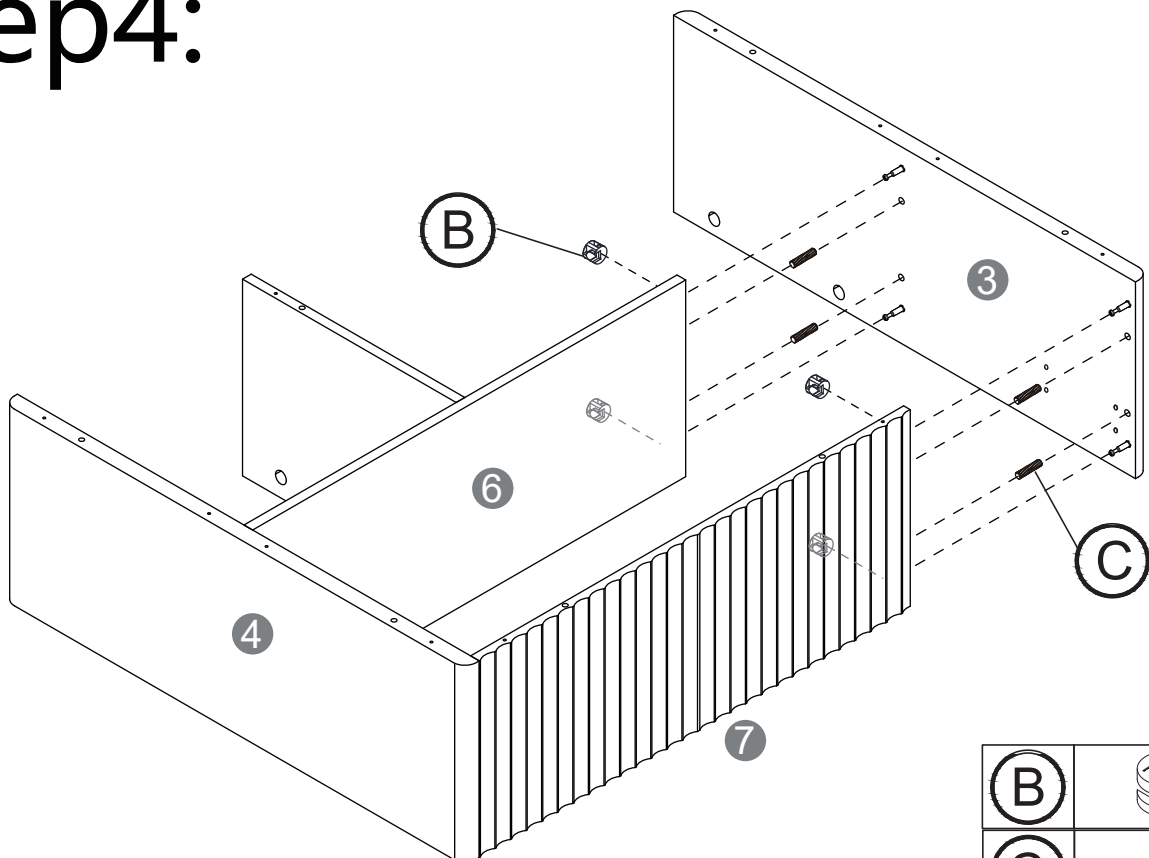




# step3:



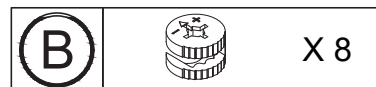
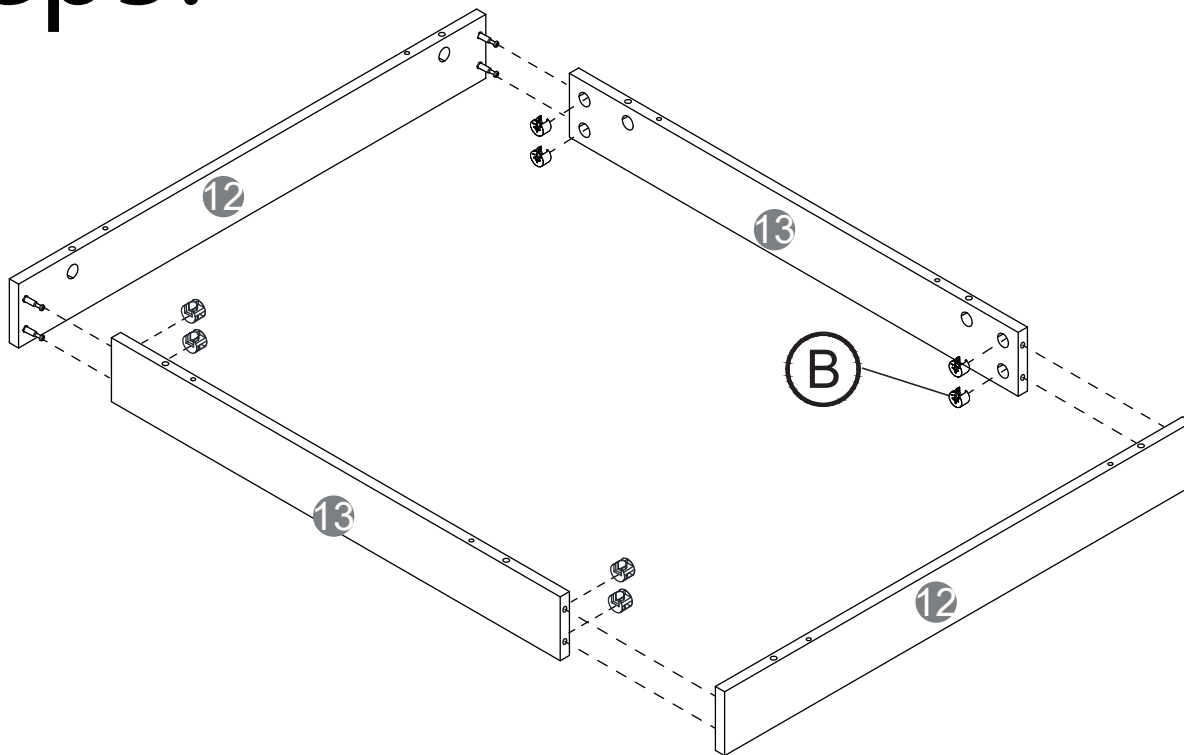
(B)		X 4
(C)		X 4

# step4:

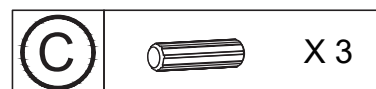
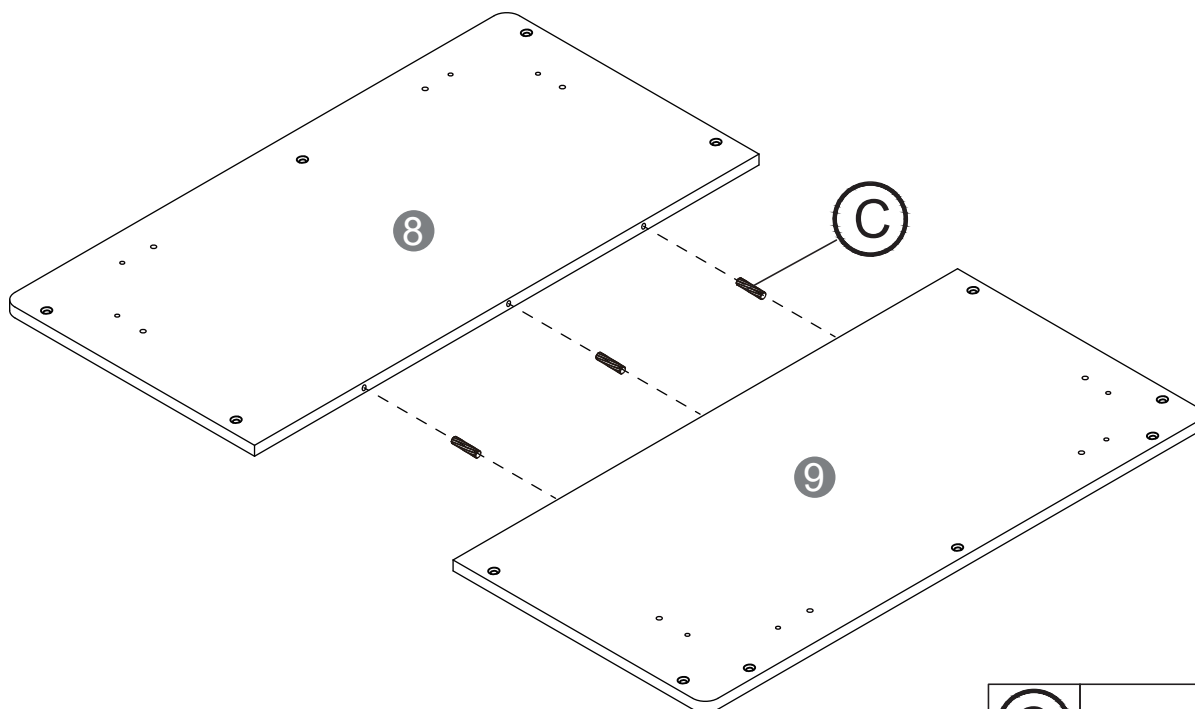


(B)		X 4
(C)		X 4

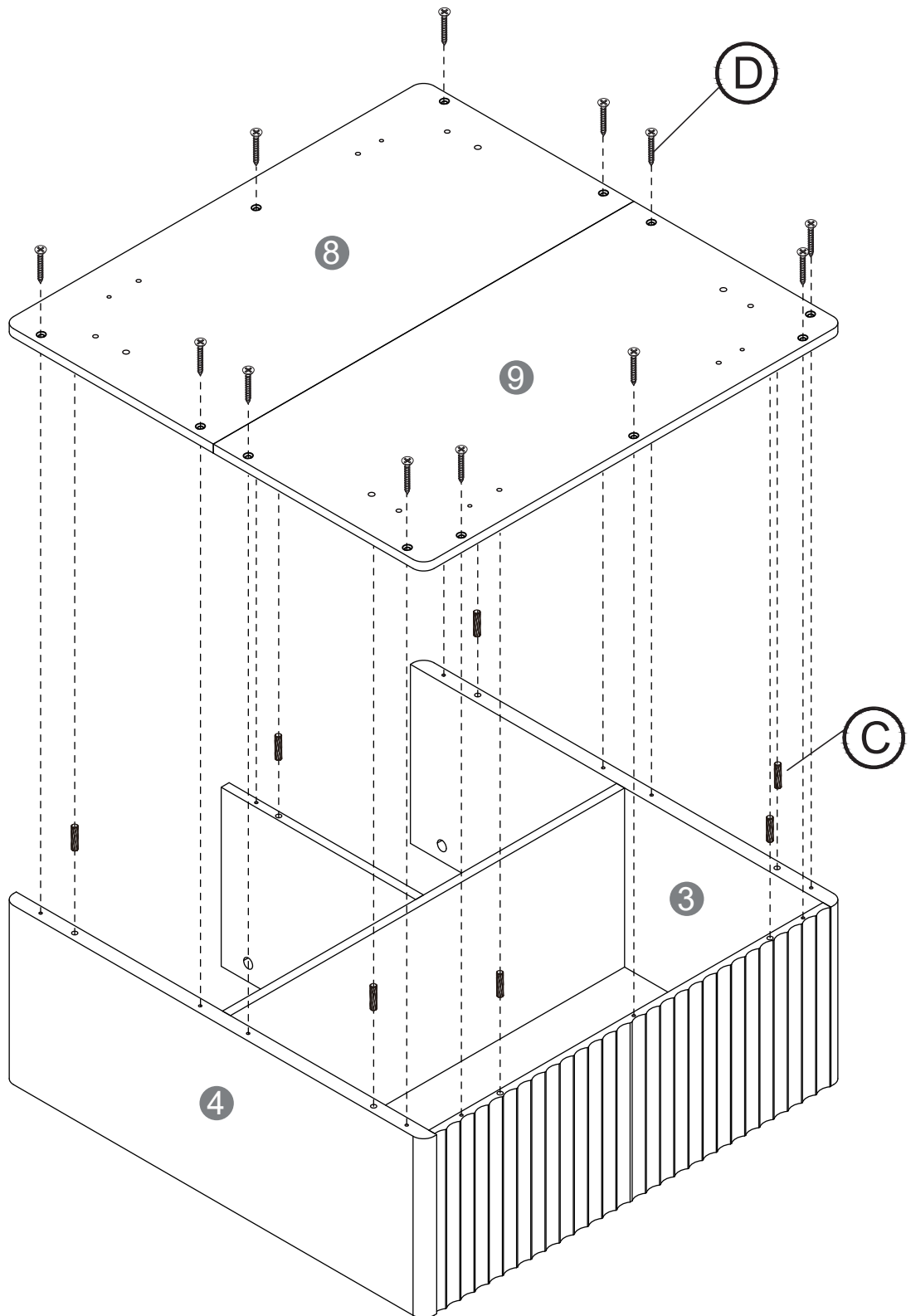
# step 5:


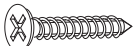


# step 6:

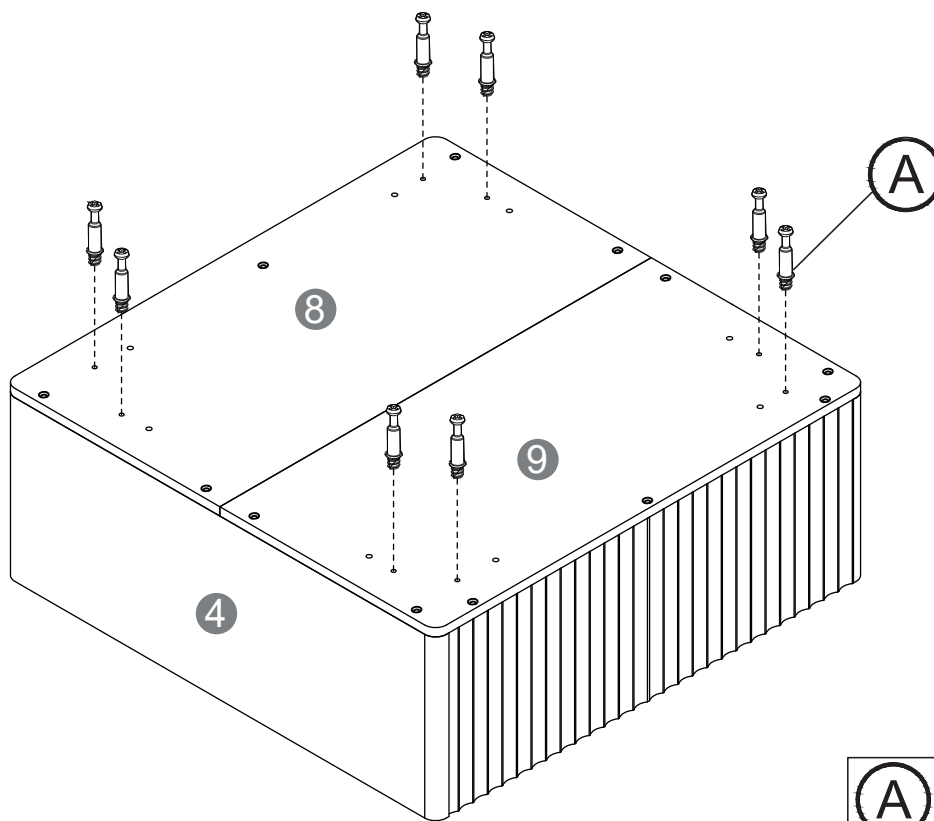


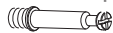
# step 7:



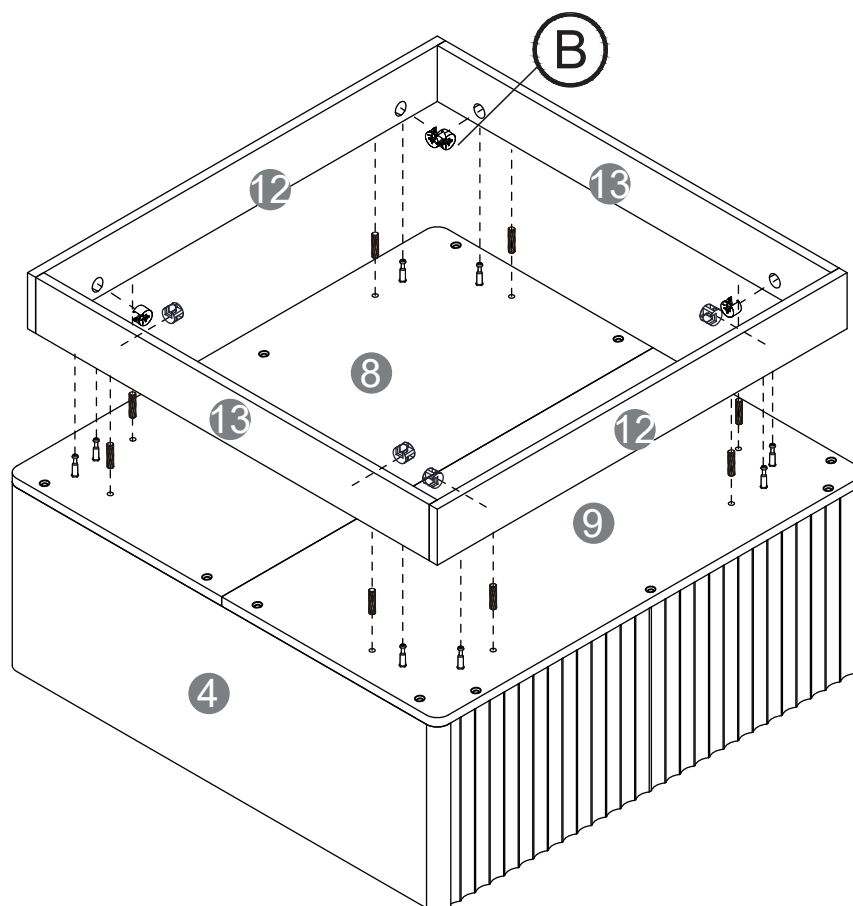
(C)		X 7
(D)		X 12



# step8:



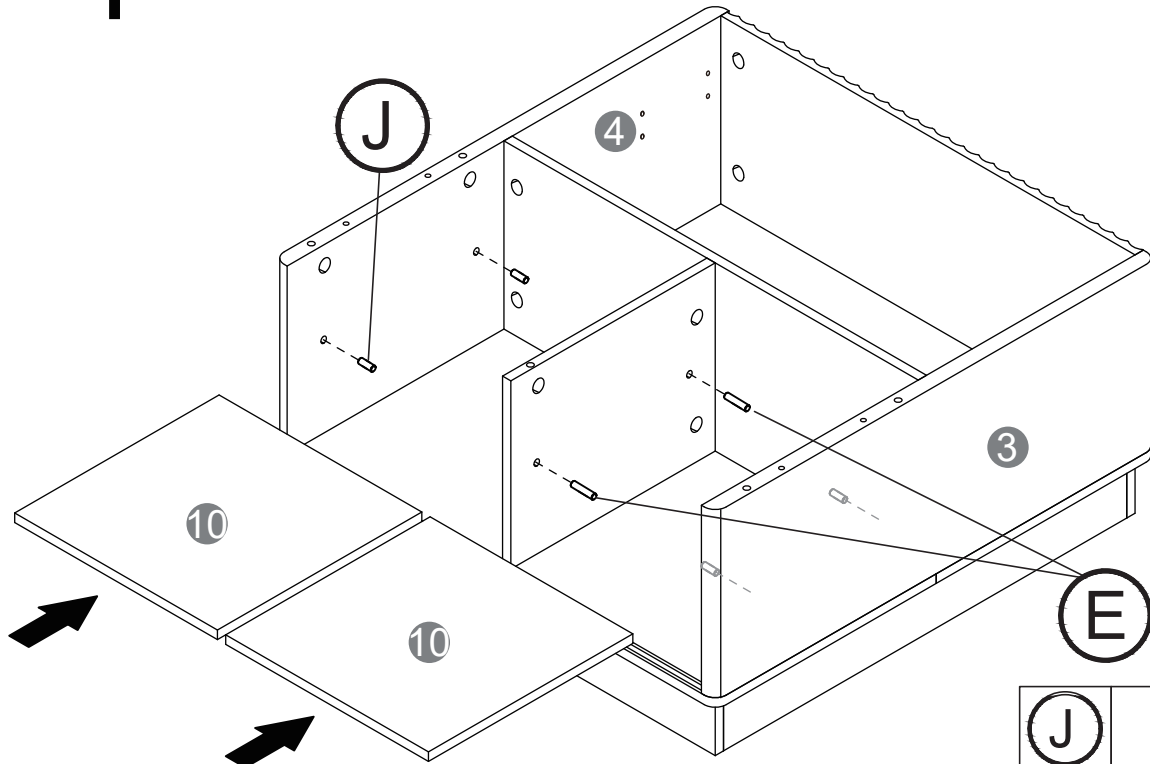
(A)		X 8
-----	---	-----



# step9:



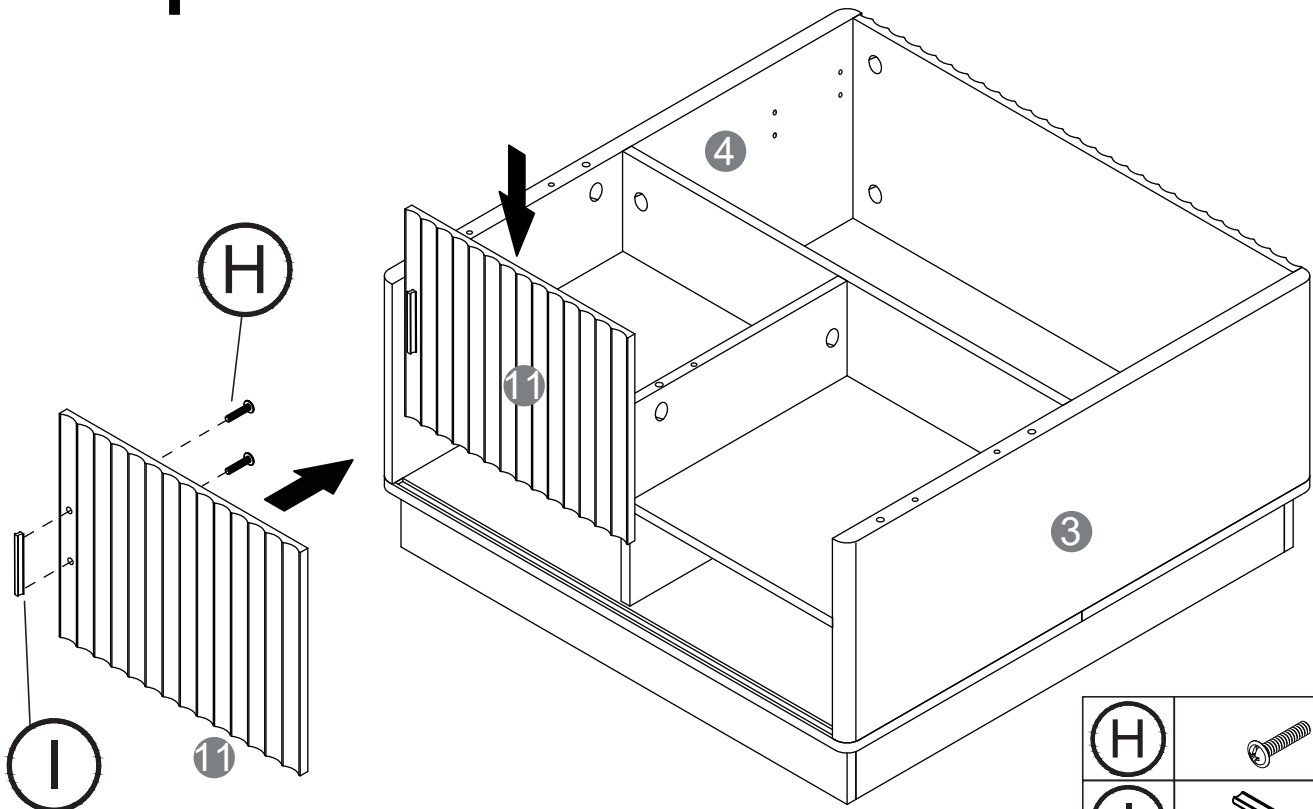
(B)		X 8
(C)		X 8


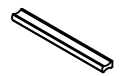
# step 10:



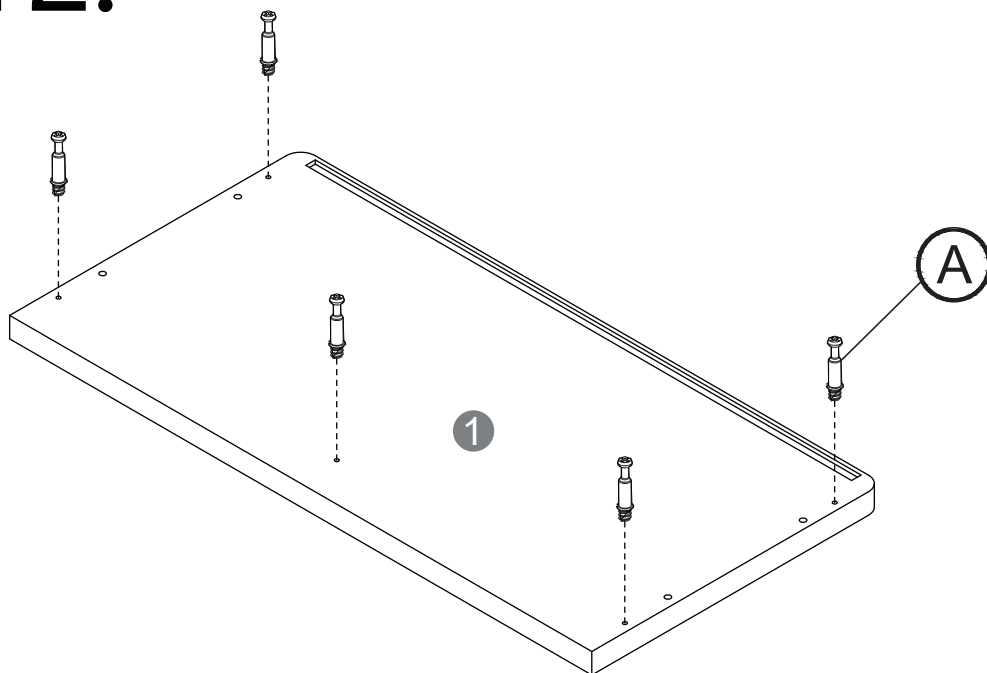
(J)		X 4
(E)		X 2

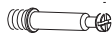
# step 11:



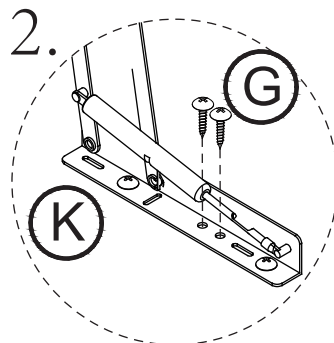
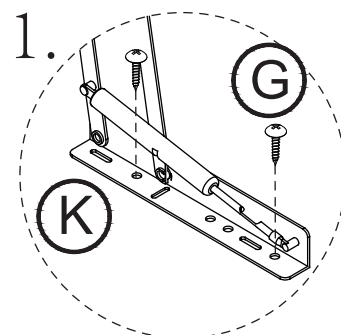
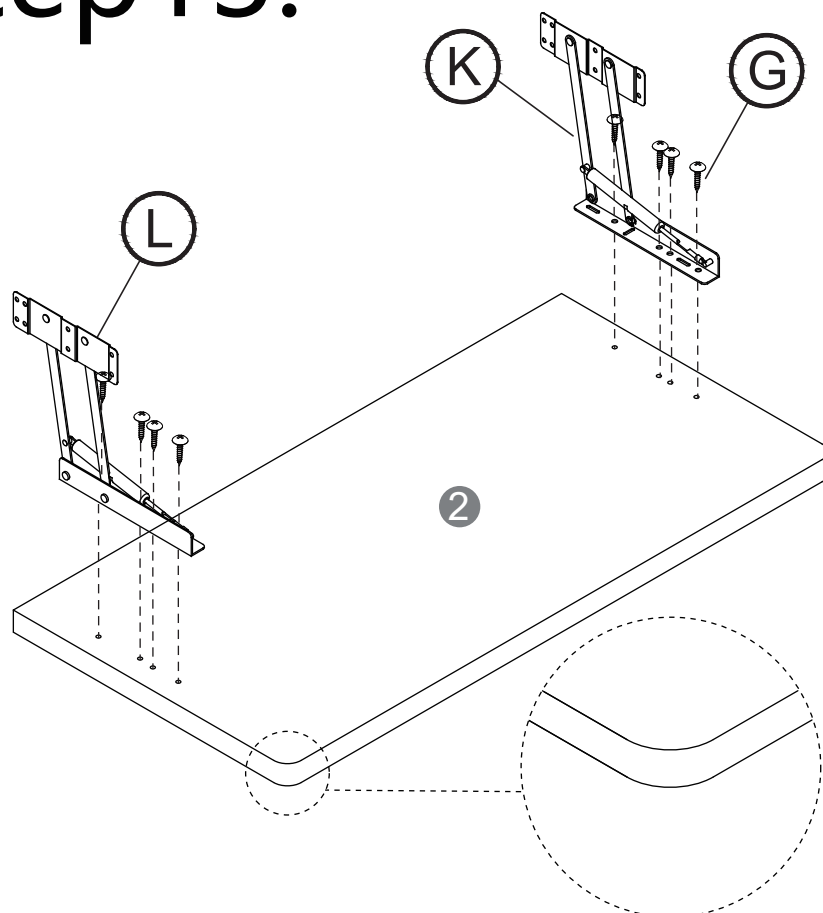
(H)		X 2
(I)		X 1

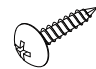
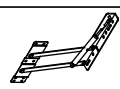
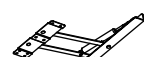
# step 12:



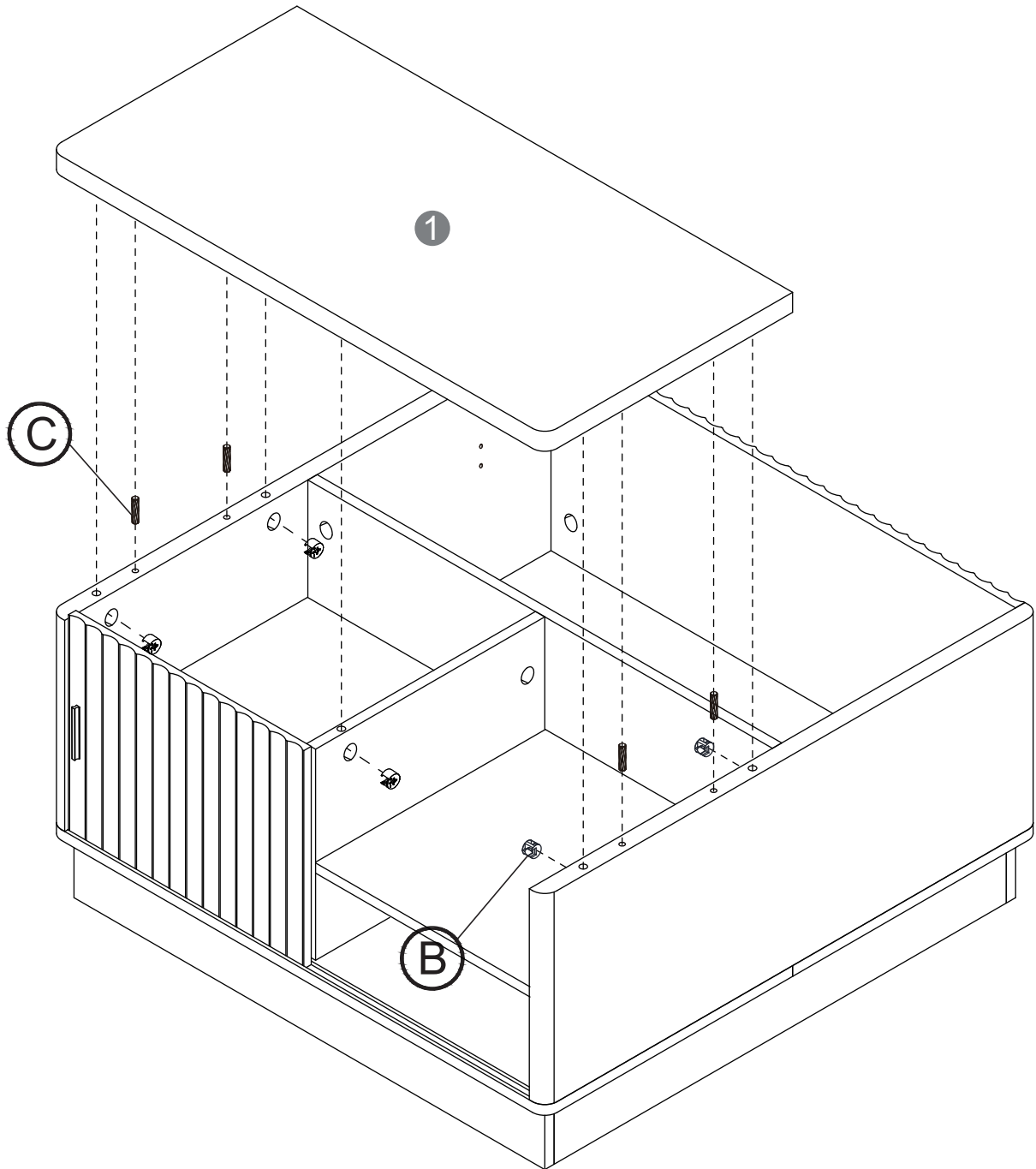
A		X 5
---	---	-----



# step 13:



G		X 8
K		X 1
L		X 1

# step 14:



(B)		X 5
(C)		X 4

# step 15:

