

ASSEMBLY INSTRUCTION

Thank you for purchasing this quality product. Be sure to check all packing material carefully for small parts which may have come loose inside the carton during shipment. Separate, identify and count all parts and hardware. Compare with the parts list to be sure all parts are present.

IMPORTANT : PLEASE READ INSTRUCTION BEFORE STARTING THE ASSEMBLY.

"DO NOT TIGHTEN SCREWS UNTIL COMPLETELY ASSEMBLED"

"DO NOT OVERTIGHT ANY HARDWARE"

WARNING : SMALL PARTS AND HARDWARE NOT FOR CHILDREN UNDER 3 YEARS. ADULT ASSEMBLY REQUIRED.

TABLE OF CONTENTS

HARDWARES LIST

PAGE 2-3

PARTS LIST

PAGE 3-4

PARTS' LOCATION

PAGE 5

ASSEMBLY STEPS

PAGE 6 - 18

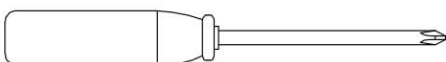
ASSEMBLY COMPLETED

PAGE 18

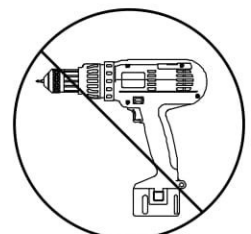
ASSEMBLY TOOLS REQUIRED

Skip the power drill this time.

1. Screwdriver (not provide)





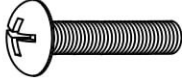

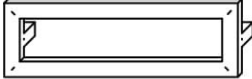
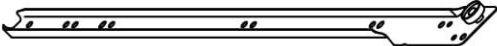
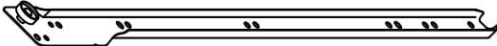


2. Hammer (not provide)





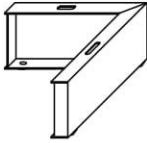
ASSEMBLY INSTRUCTION

HARDWARES LIST


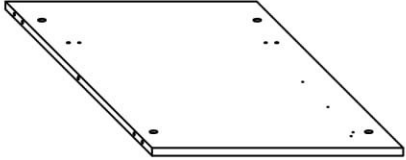
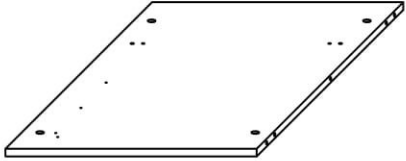
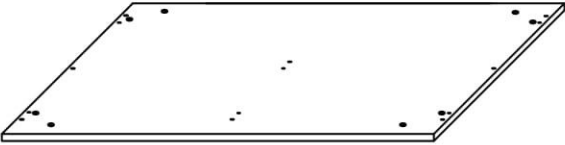
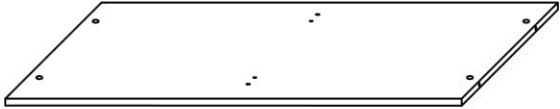
ITEM	DESCRIPTION	DRAWING	QTY
A	MINIFIX CAM LOCK		30 PCS
B	MINIFIX CAM BOLT		30 PCS
C	WOOD DOWEL (M8 x 25MM)		22 PCS
D	WOOD DOWEL (M6 x 25MM)		16 PCS
E	TRUSS M-SCREW (20MM)		4 PCS
F	M4 ALLEN KEY (100MM)		1 PC
G	HANDLE		2 PCS
H	LEFT DRAWER SLIDE		2 PCS
I	RIGHT DRAWER SLIDE		2 PCS

ASSEMBLY INSTRUCTION

HARDWARES LIST





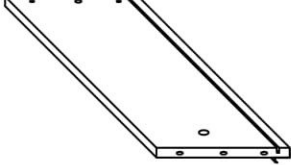
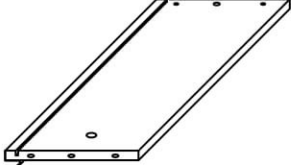
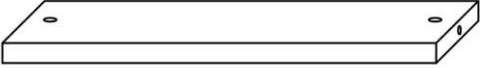
ITEM	DESCRIPTION	DRAWING	QTY
J	CSK SCREW M3 x 10mm		16 PCS
K	JCBC SCREW M6 x 15MM		8 PC
L	METAL LEG		4 PC

PARTS LIST

ITEM	DESCRIPTION	DRAWING	QTY
1	TOP PANEL		1 PC
2	LEFT PANEL		1 PC
3	RIGHT PANEL		1 PC
4	BOTTOM PANEL		1 PC
5	CENTER PANEL BIG		1 PC

ASSEMBLY INSTRUCTION

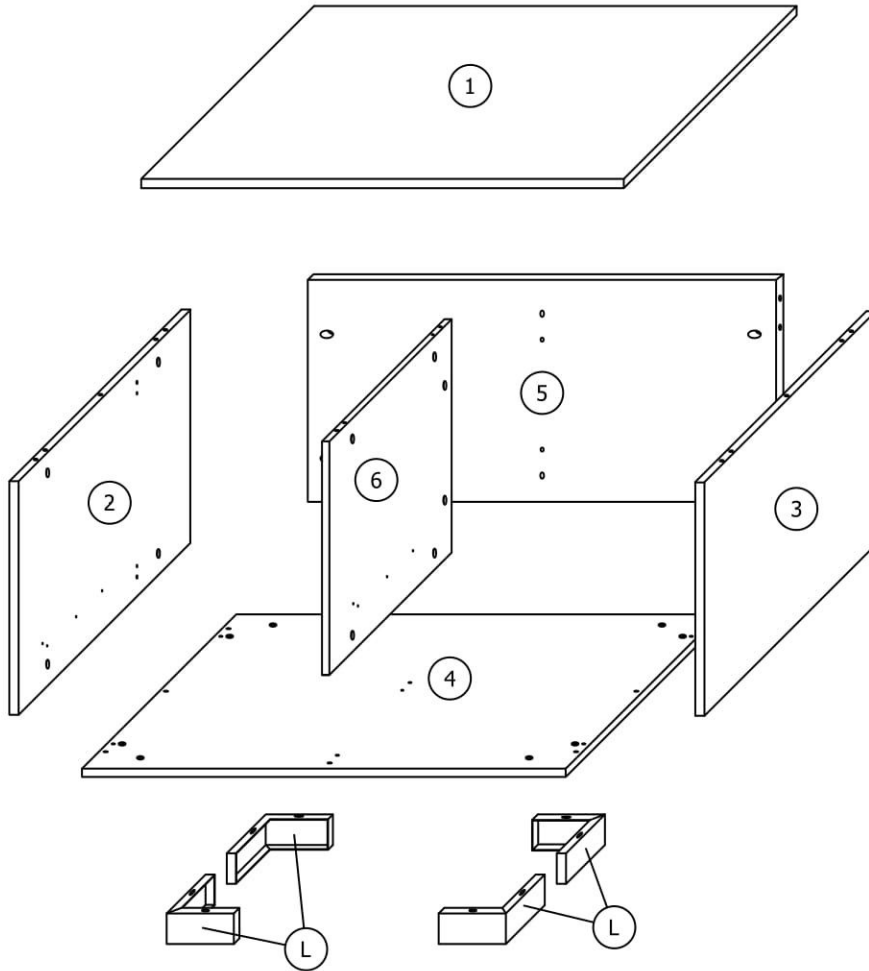
PARTS LIST

ITEM	DESCRIPTION	DRAWING	QTY
6	CENTER PANEL SMALL		1 PC
7	DRAWER FRONT		2 PC
8	DRAWER BACK		2 PC
9	DRAWER BOTTOM		2 PC
19	DRAWER SIDE LEFT		2 PC
20	DRAWER SIDE RIGHT		2 PC
21	DRAWER BOTTOM SUPPORT		2 PC

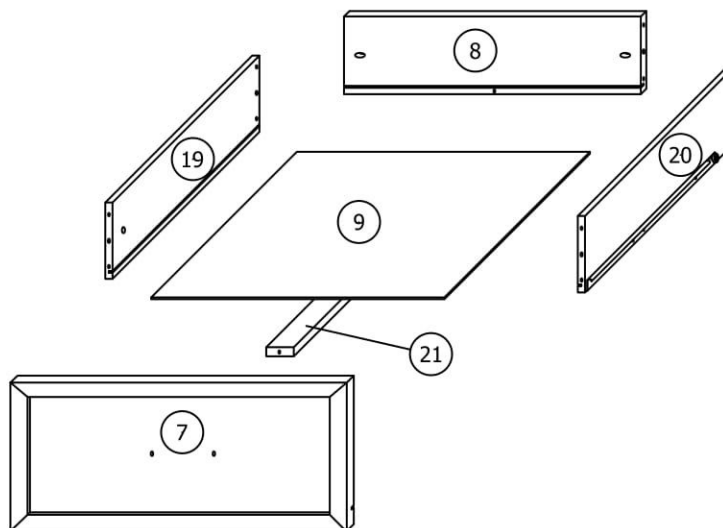
ASSEMBLY INSTRUCTION

PARTS ' LOCATION

COFFEE TABLE x 1 PC



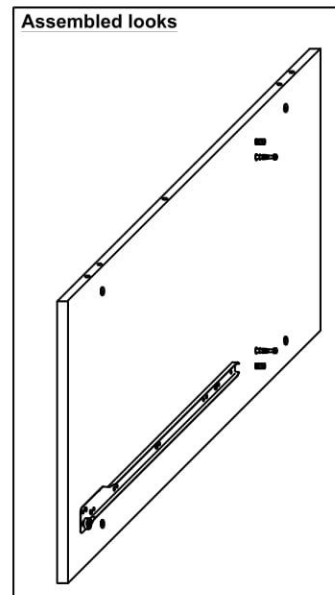
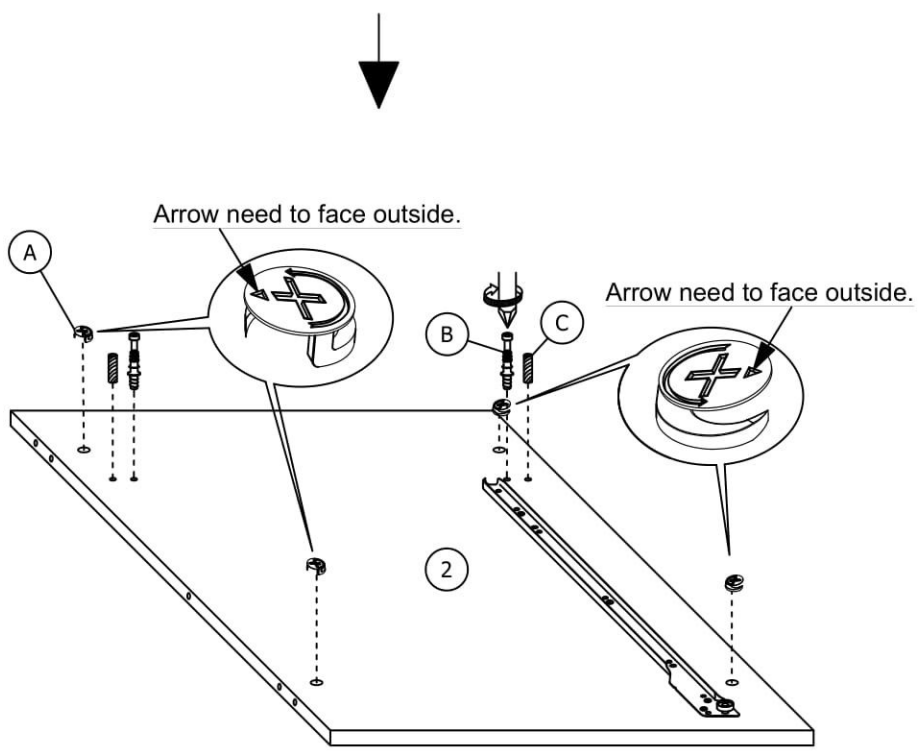
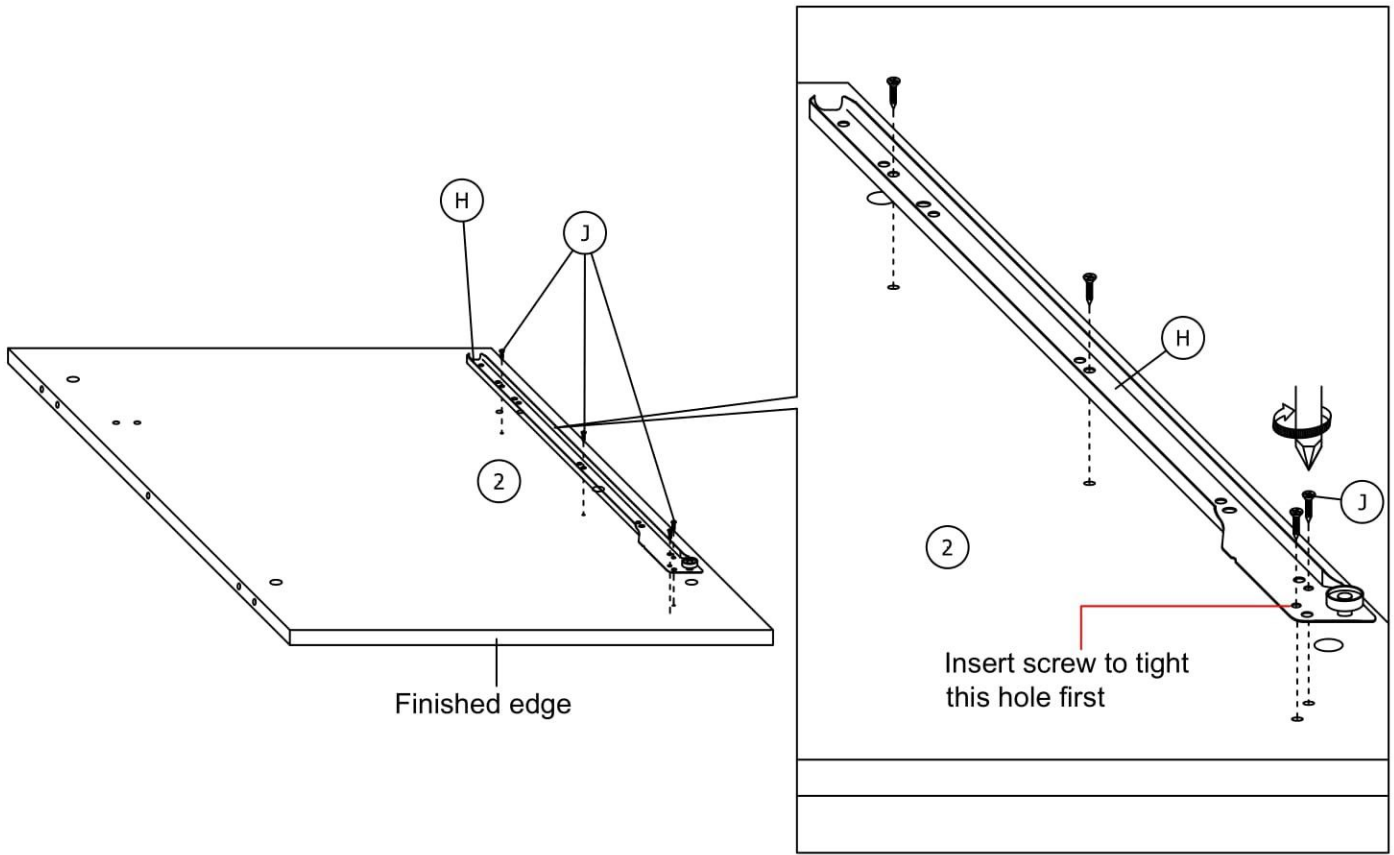
DRAWER x 2 PCS



ASSEMBLY INSTRUCTION

STEP 1

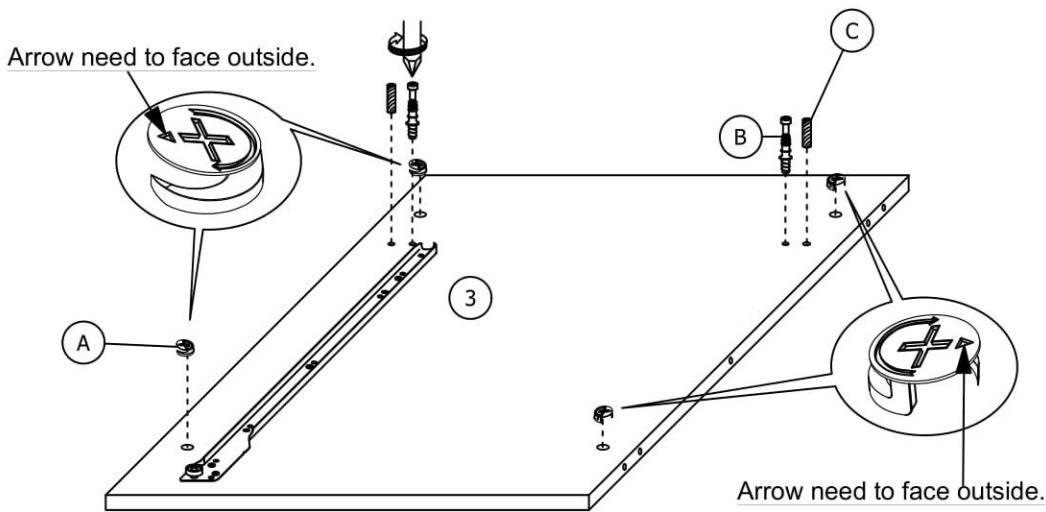
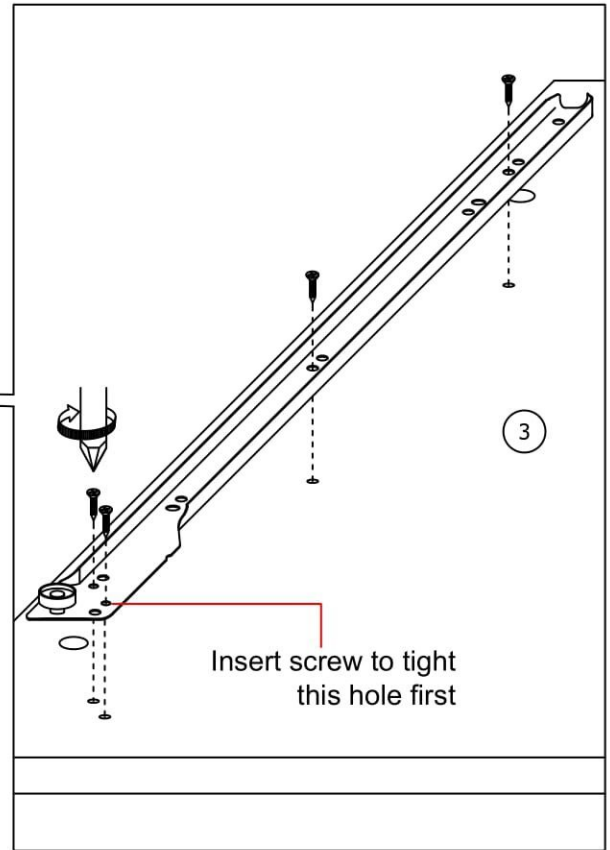
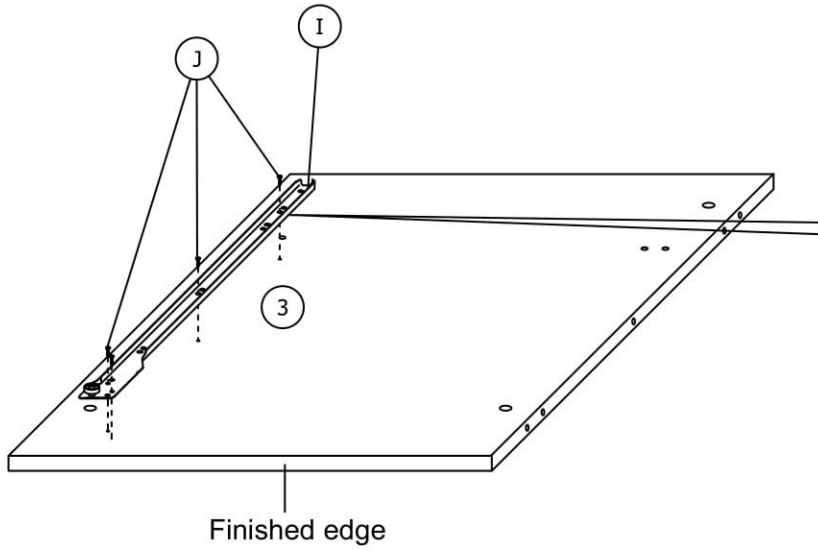
Fix the 1 pieces (H) to the (2) by using 4 pieces (J). Then insert 4 pieces (A) , 2 pieces (C),(B) as shown.



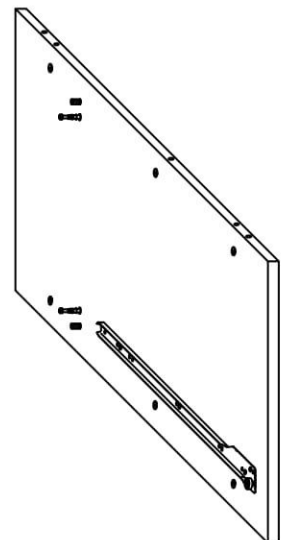
ASSEMBLY INSTRUCTION

STEP 2

Fix the 1 pieces (I) to the (3) by using 4 pieces (J). Then insert 4 pieces (A) , 2 pieces (C),(B) as shown.



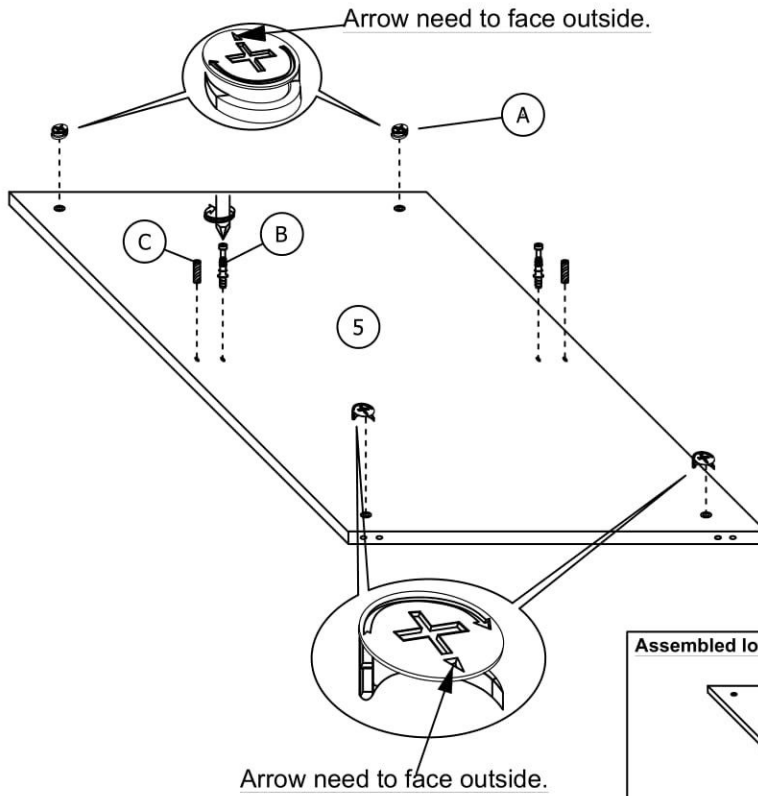
Assembled looks



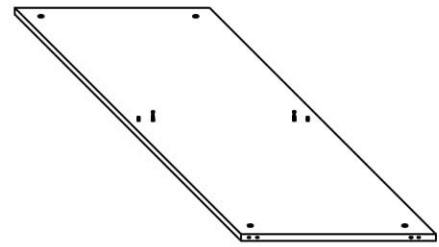
ASSEMBLY INSTRUCTION

STEP 3

Insert 4 pieces (A) , 2 pieces (C),(B) to (5) as shown.

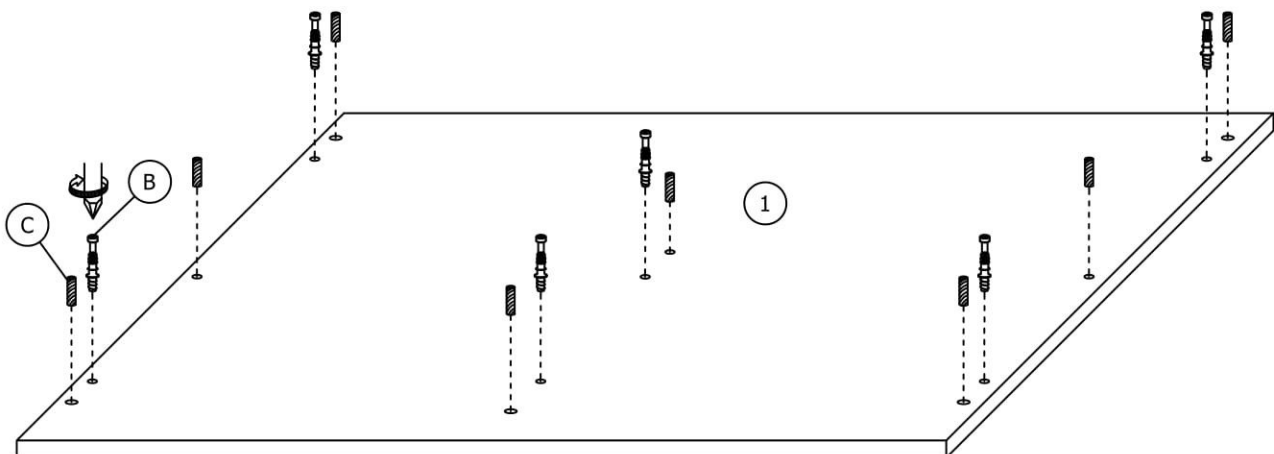


Assembled looks

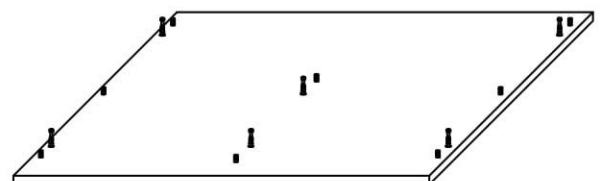


STEP 4

Insert 6 pieces (B) and 8 pieces (C) to (1) as shown.



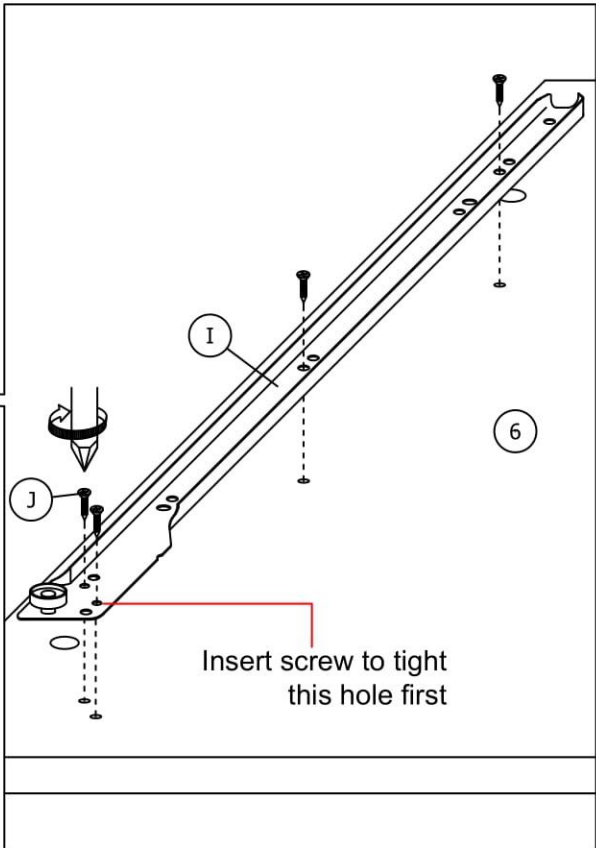
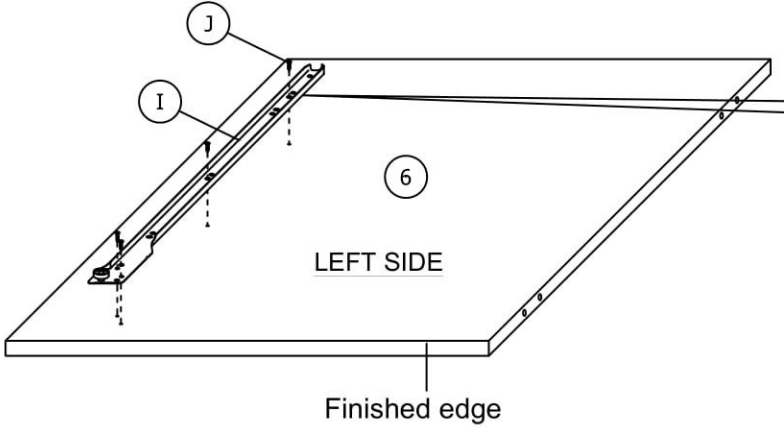
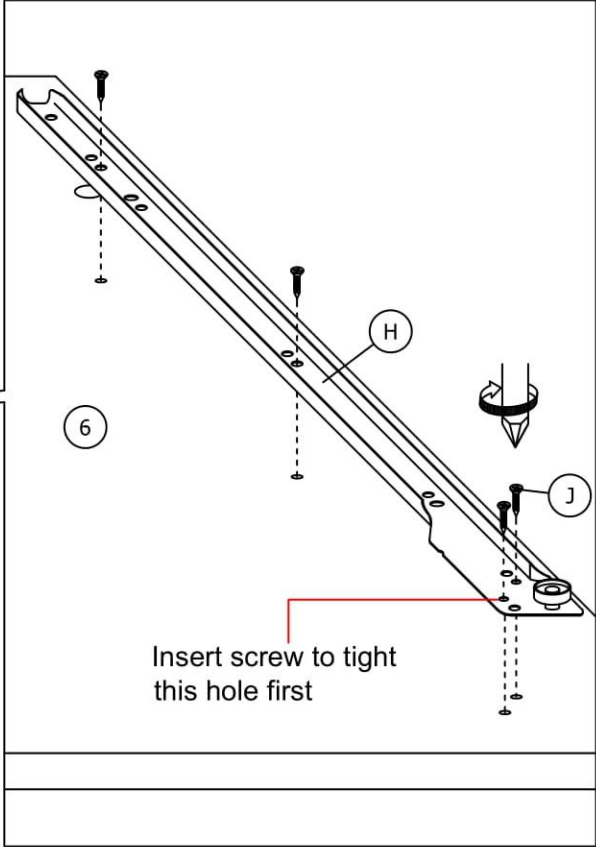
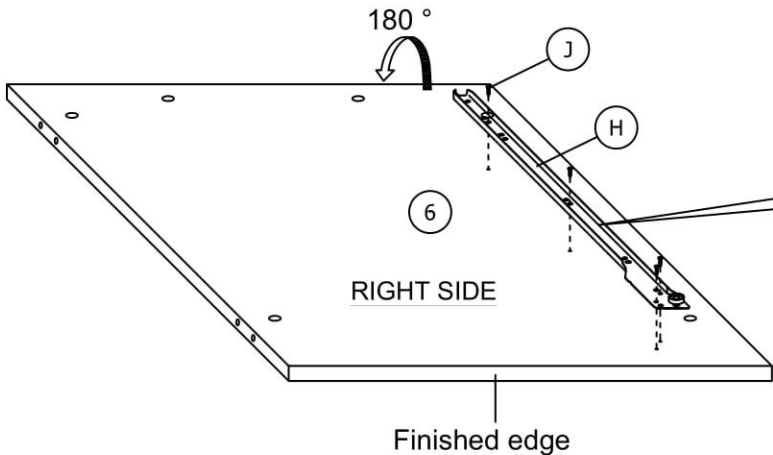
Assembled looks



ASSEMBLY INSTRUCTION

STEP 5

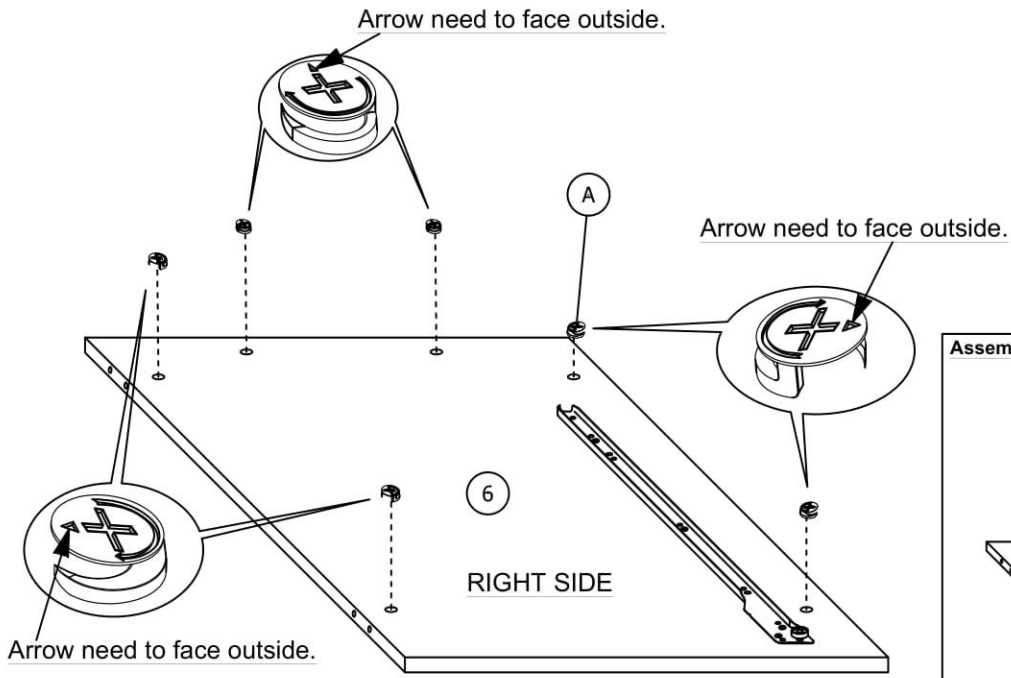
Fix the remaining 1 piece (H) to the right side of (6) by using 4 pieces (J). Another 1 piece (I) to the left side by using 4 pieces (J) as shown.



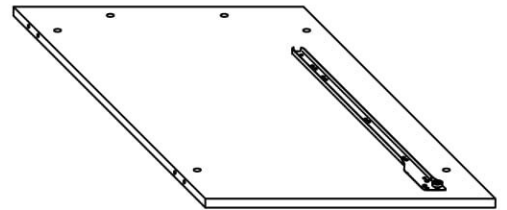
ASSEMBLY INSTRUCTION

STEP 6

Insert 6 pieces (A) to the (6) as shown.

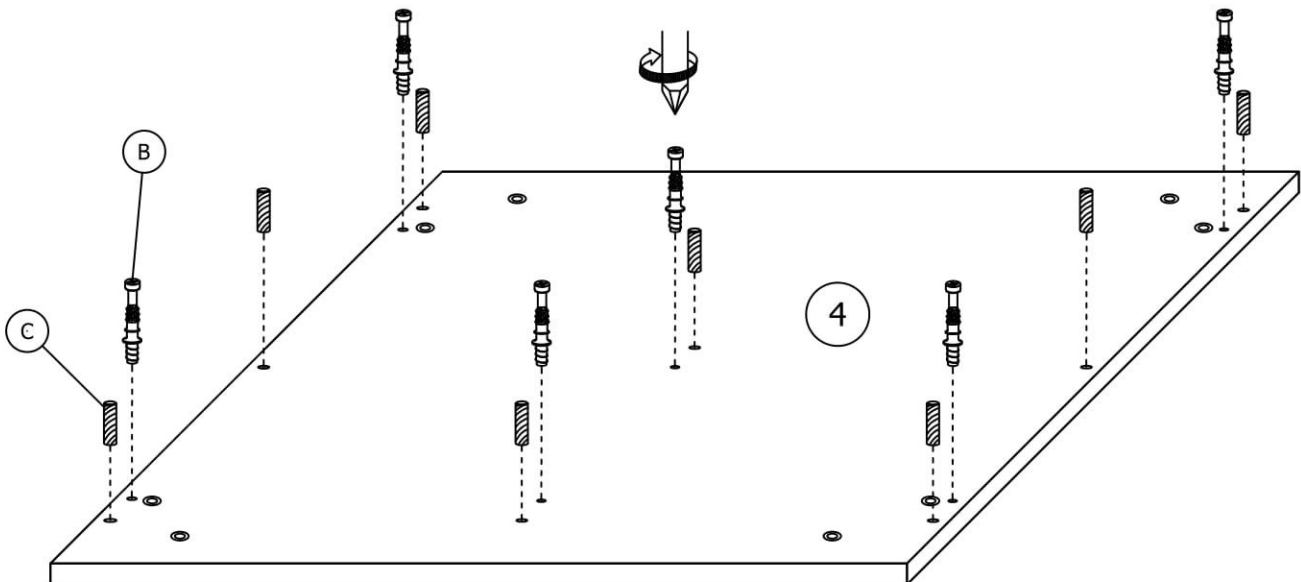


Assembled looks

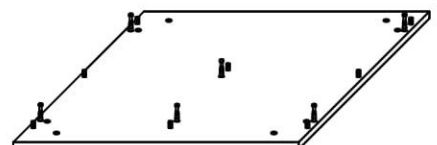


STEP 7

Insert 8 pieces (C) and 6 pieces (B) to (4) as shown.



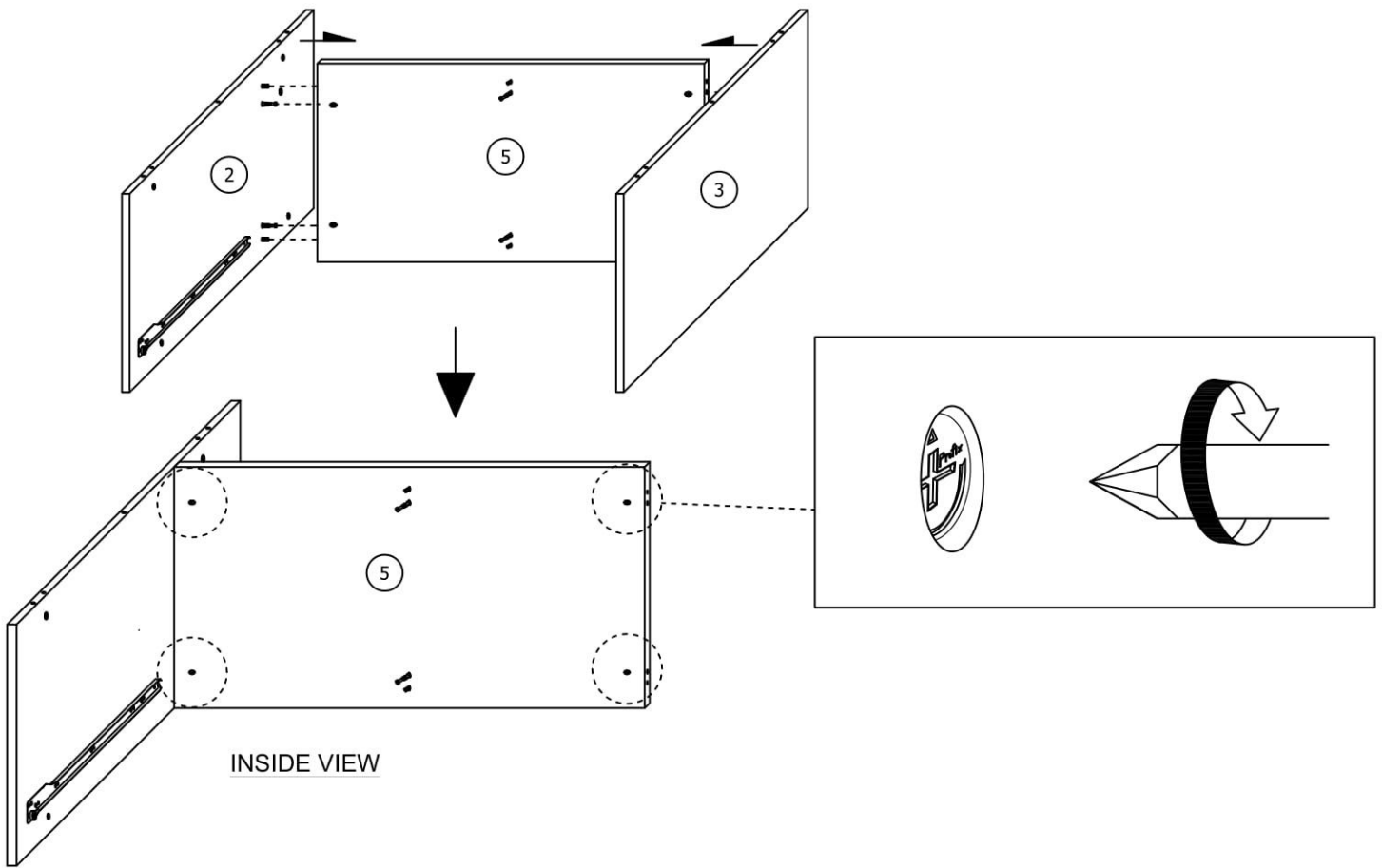
Assembled looks



ASSEMBLY INSTRUCTION

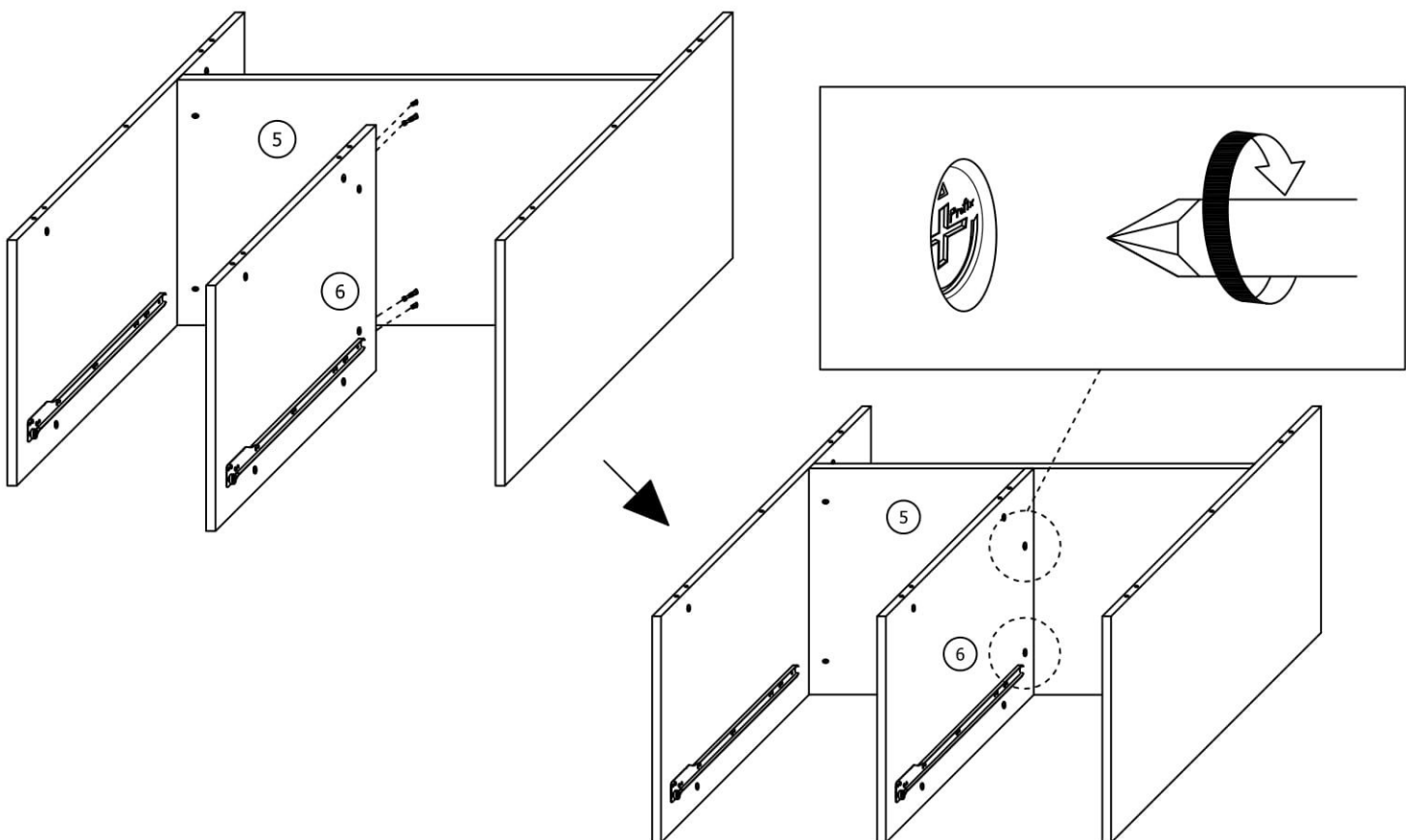
STEP 8

Combine the (2) and (3) to the (5) and tighten the 4 pieces (A)-(pre insert in step 3) as shown.



STEP 9

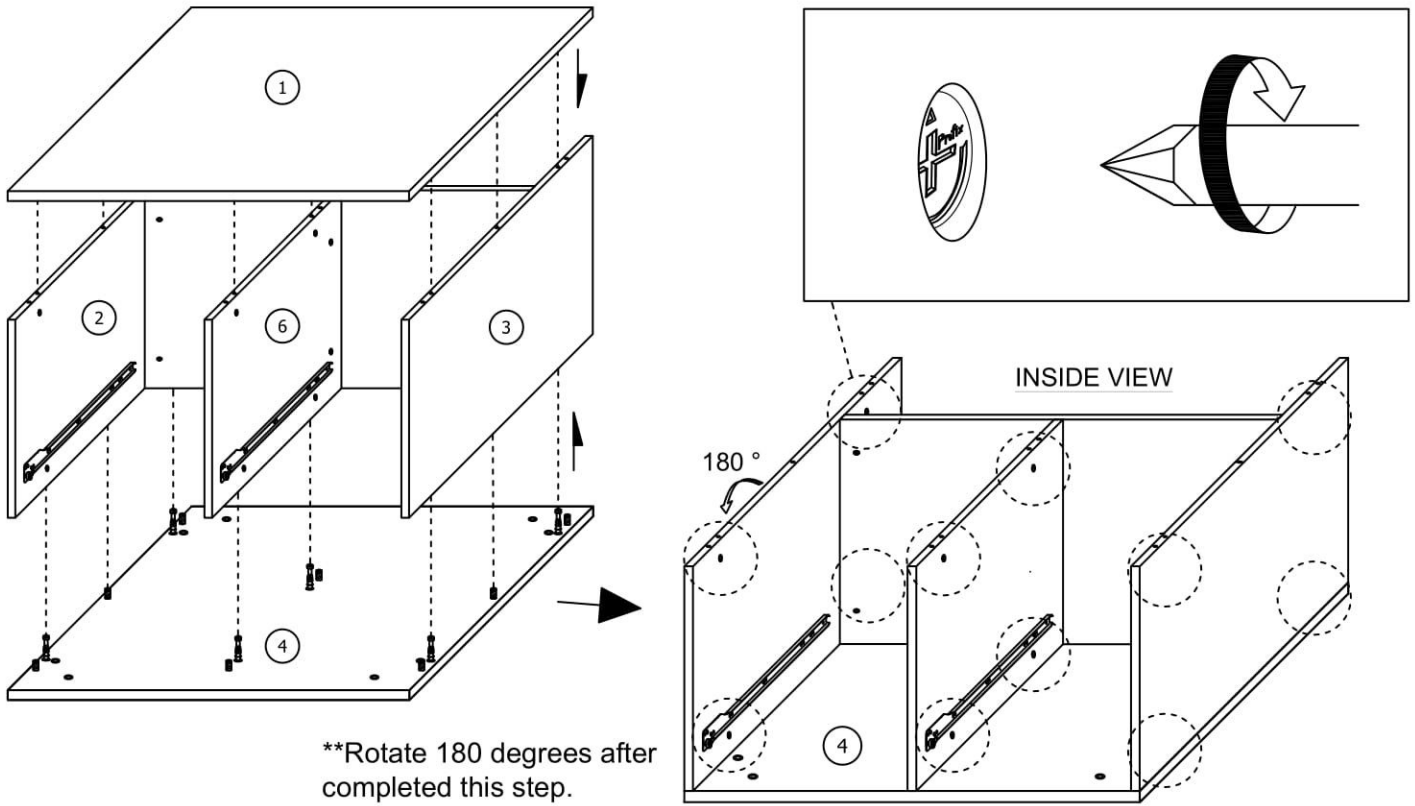
Combine the (6) to the (5) and tighten the 2 pieces (A)-(pre insert in step 5) as shown.



ASSEMBLY INSTRUCTION

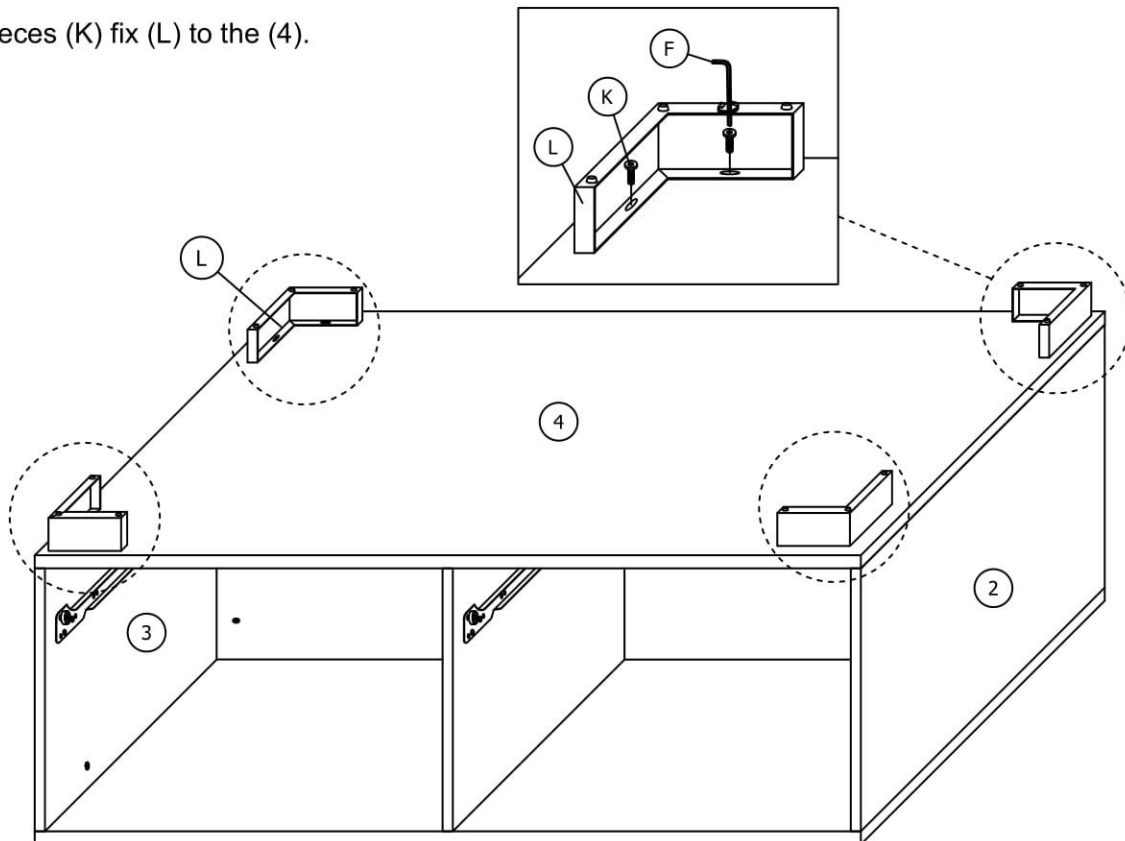
STEP 10

Combine the (1) and (4) to the (2),(6) and (3). Then tighten the 12 pieces (A)-(pre-insert in step 1,2 and 6) as shown.



STEP 11

Insert the 8 pieces (K) fix (L) to the (4).

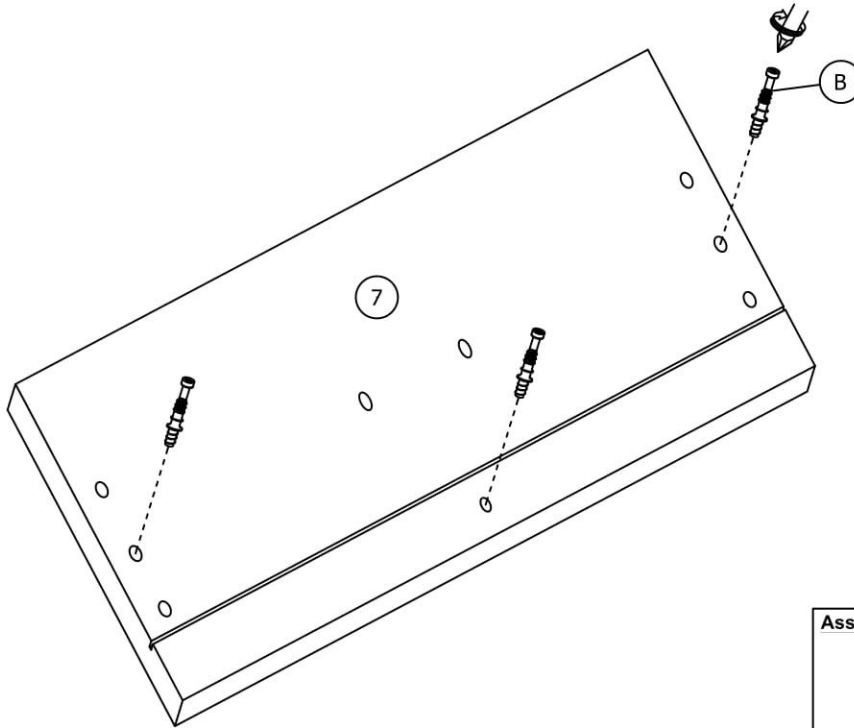


ASSEMBLY INSTRUCTION

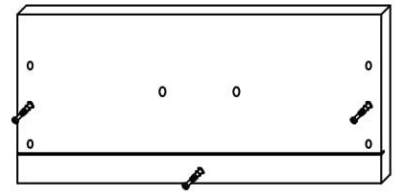
STEP 12

Insert 3 pieces (B) to the (7) as shown.

x 2



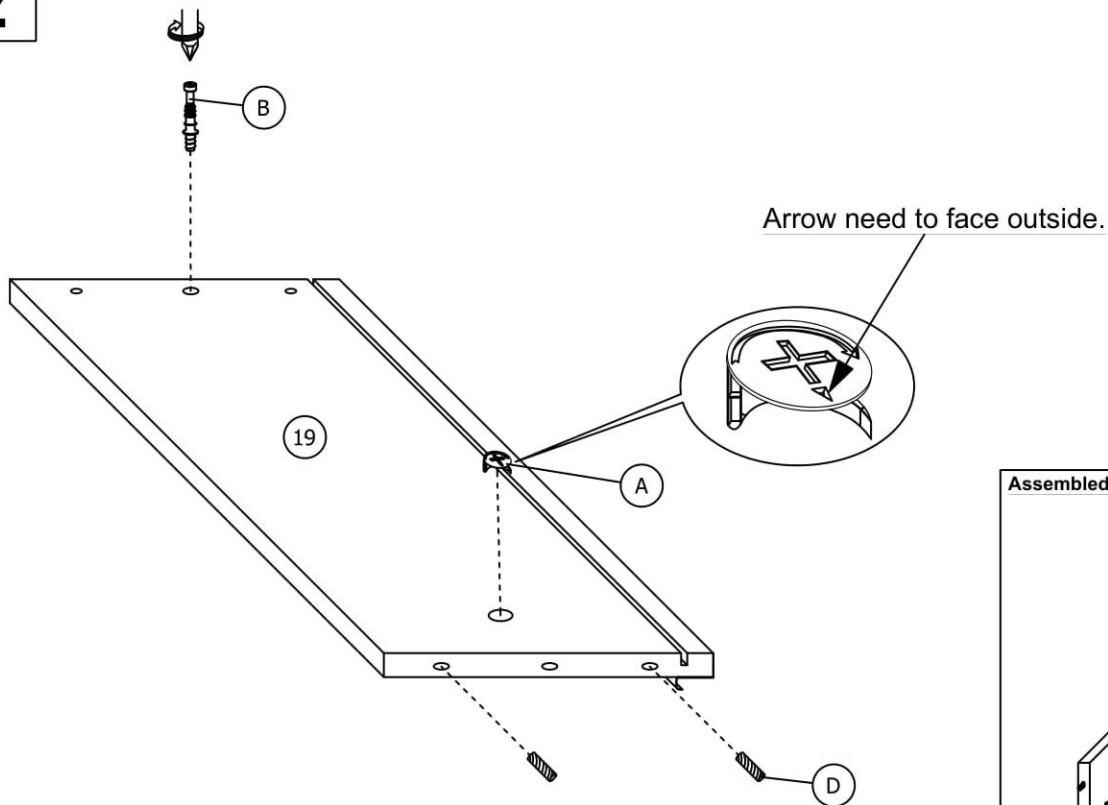
Assembled looks



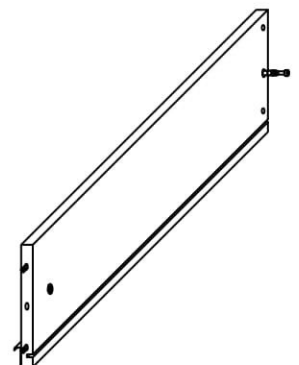
STEP 13

Insert 1 piece (A),(B) and 2 pieces (D) to (19) as shown.

x 2



Assembled looks

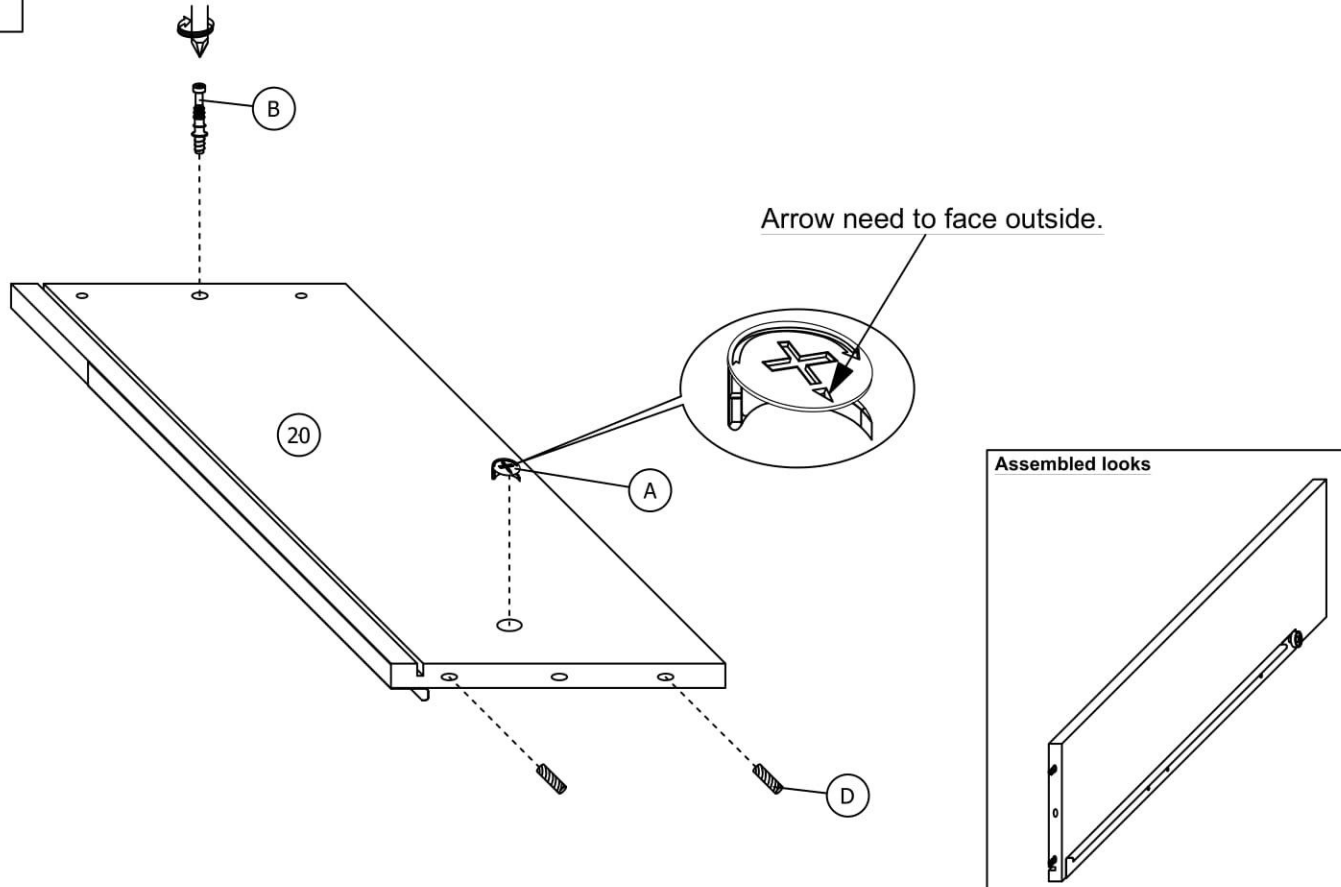


ASSEMBLY INSTRUCTION

STEP 14

Insert 1 piece (A),(B) and 2 pieces (D) to (20) as shown.

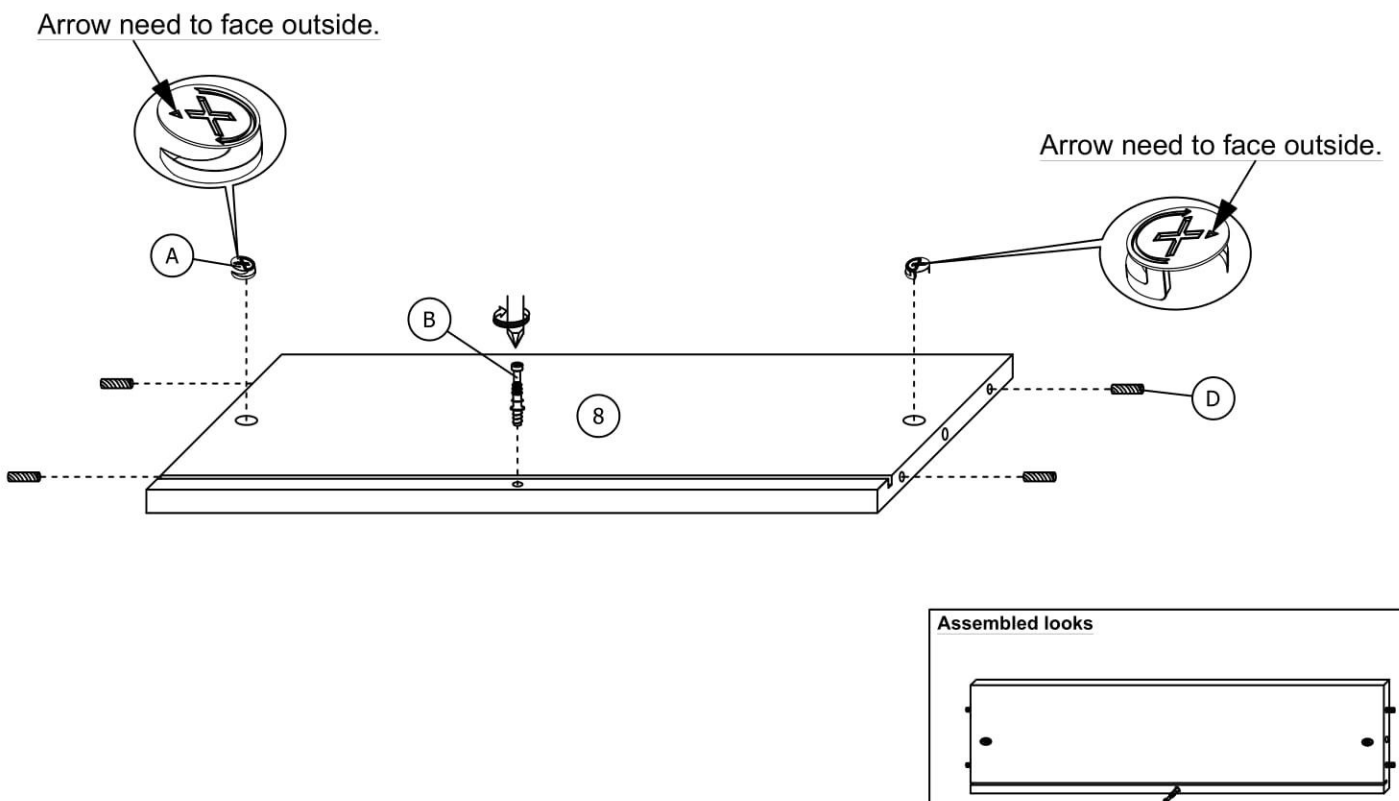
x 2



STEP 15

Insert 2 pieces (A) , 1 piece (B) and 4 pieces (D) to (8) as shown.

x 2



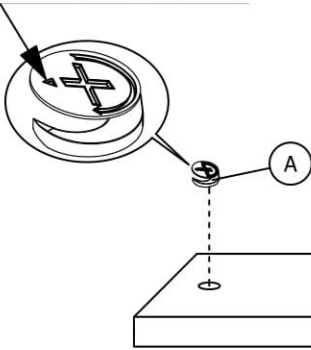
ASSEMBLY INSTRUCTION

STEP 16

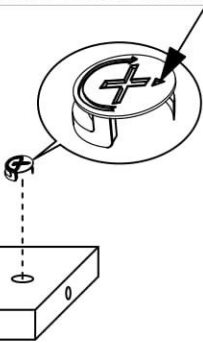
Insert 2 pieces (A) to (21) as shown.

x 2

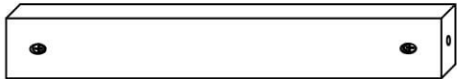
Arrow need to face outside.



Arrow need to face outside.



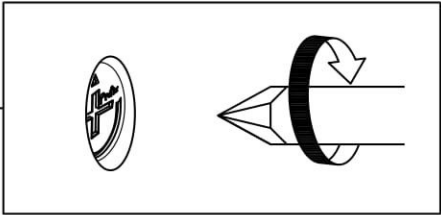
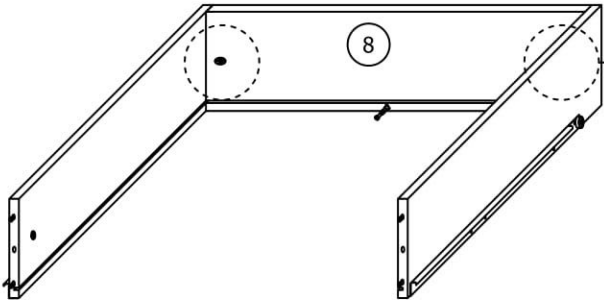
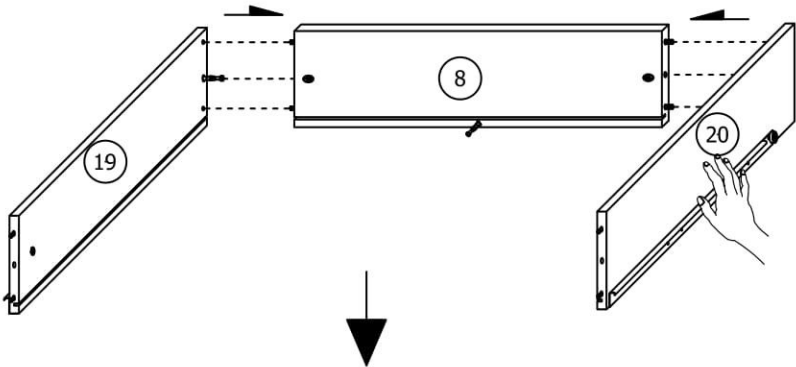
Assembled looks



STEP 17

Combine the (19) and (20) to the (8). Then tighten the 2 pieces (A)-(pre-insert in step 15) as shown.

x 2

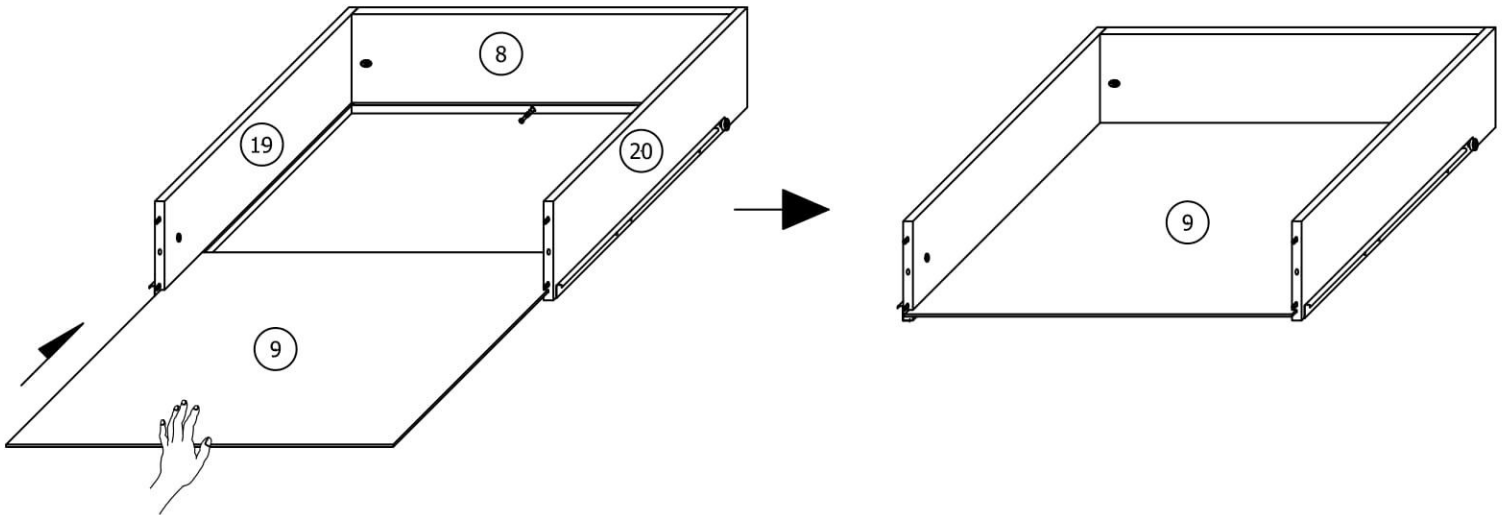


ASSEMBLY INSTRUCTION

STEP 18

Put the (9) into the gap of (19),(20) and (8) as shown.

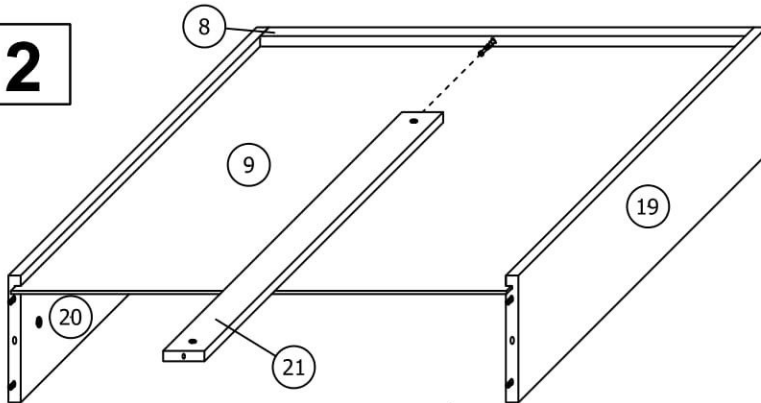
x 2



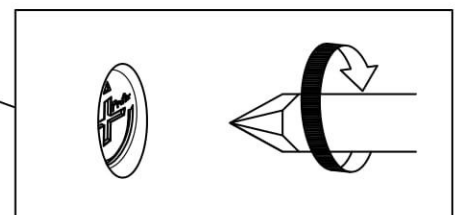
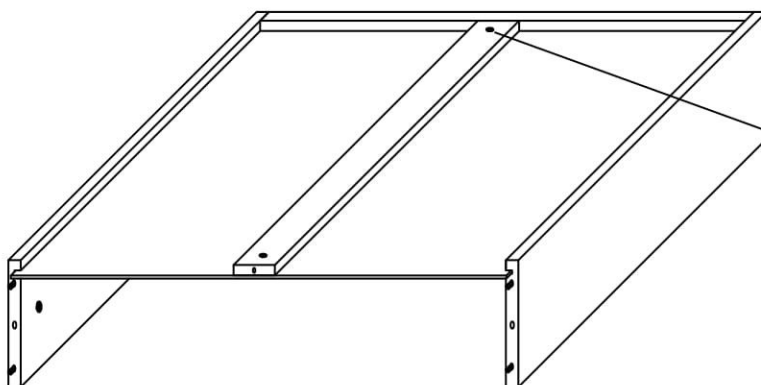
STEP 19

Combine the (21) to the (8) then tighten the 1 piece (A)-(pre-insert in step 16) as shown.

x 2



**Rotate 90 degrees after completed this step.

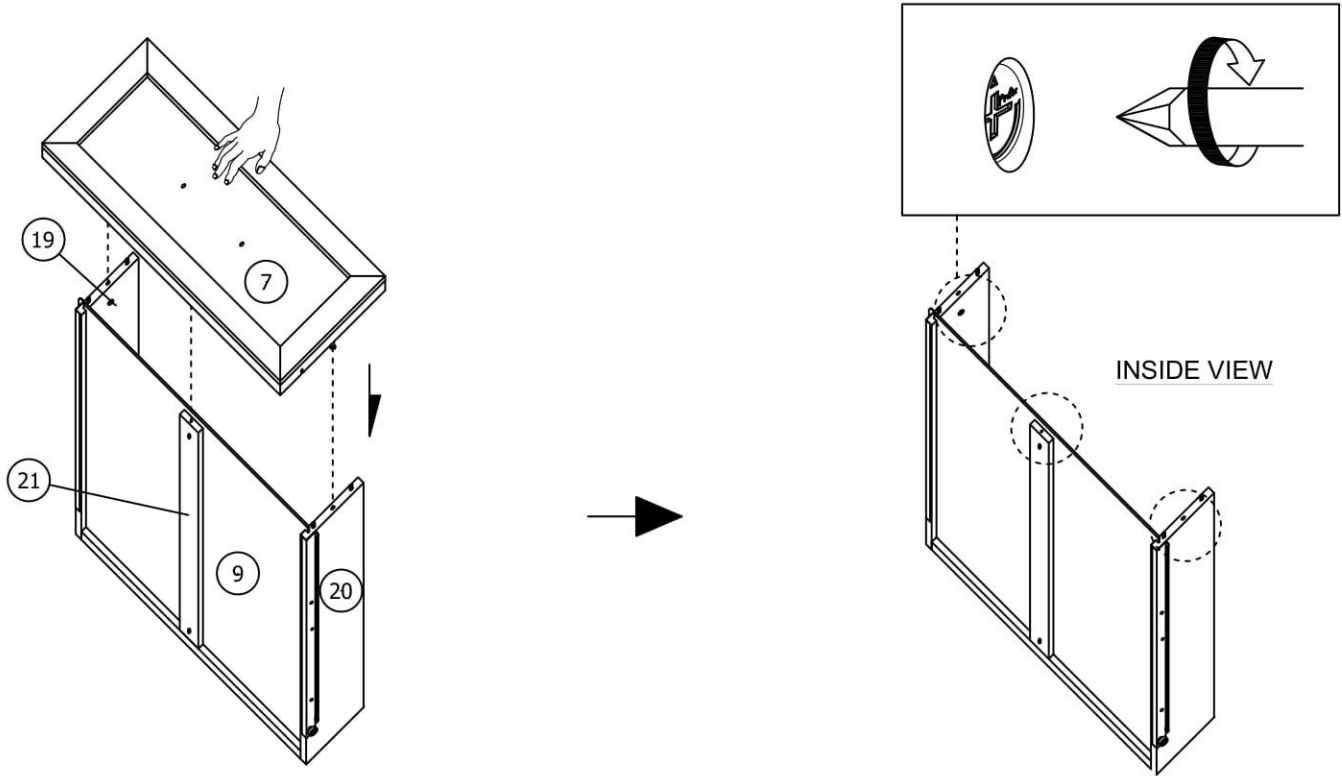


ASSEMBLY INSTRUCTION

STEP 20

Combine the (7) to the drawer frame. Then tighten the 3 pieces (A)-(pre-insert in step 13,14 and 16) as shown.

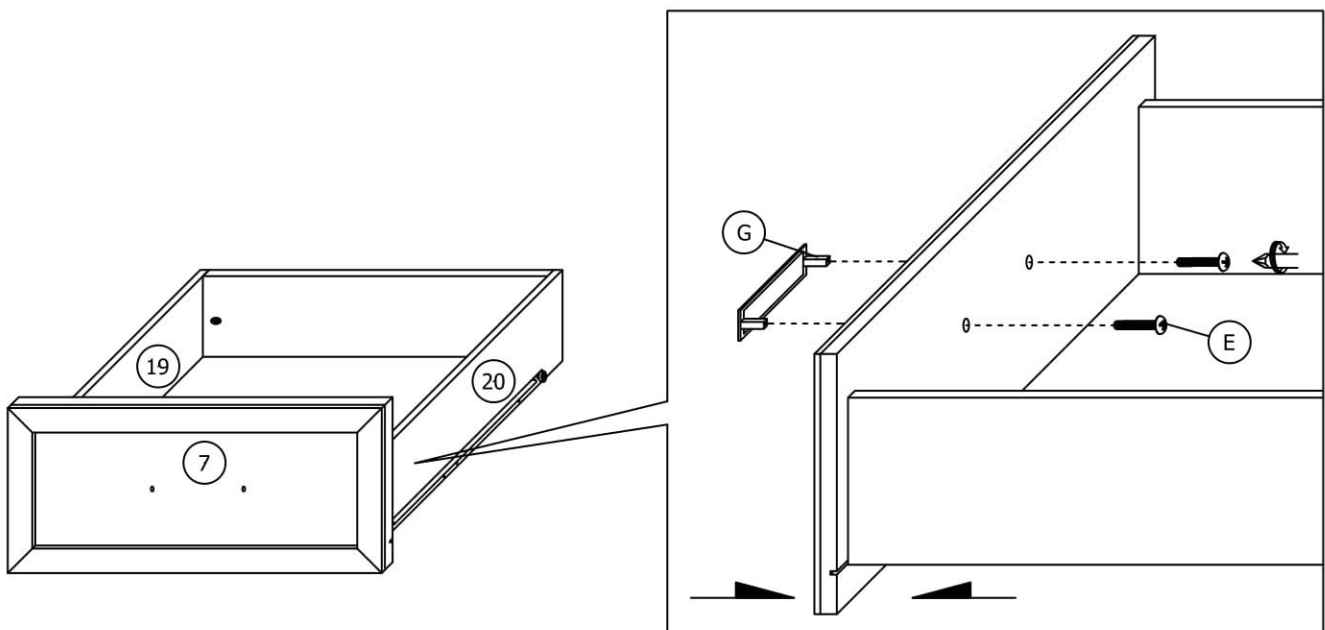
x 2



STEP 21

Insert 2 pieces (E) fix the (G) as shown.

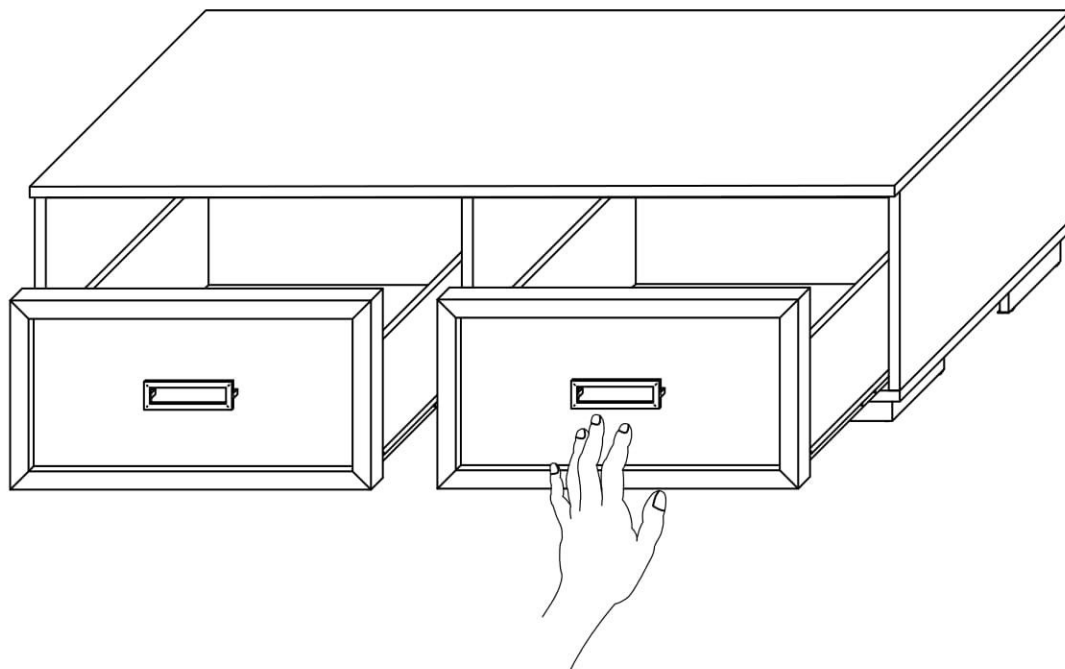
x 2



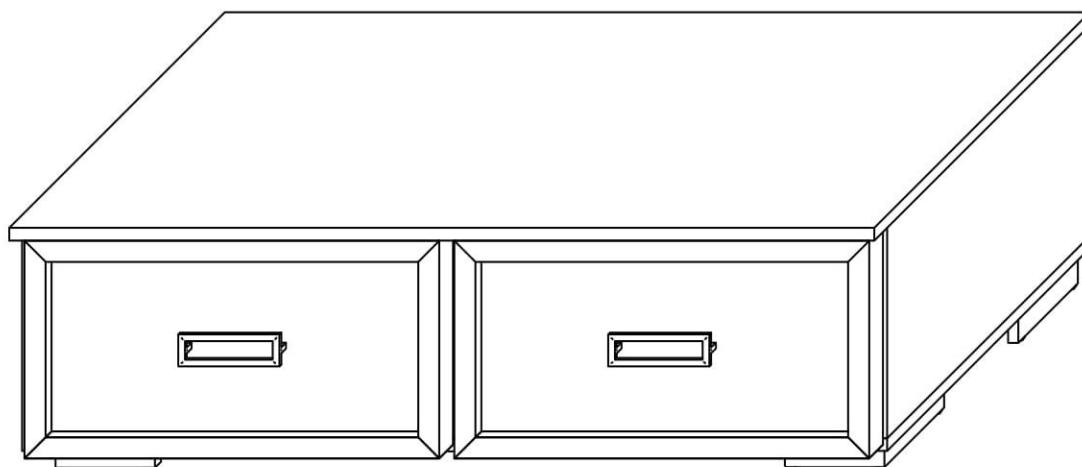
ASSEMBLY INSTRUCTION

STEP 22

Align the position then push the 2 pieces drawer to inside exactly as shown.



STEP 23



ASSEMBLY COMPLETED

LAST PAGE