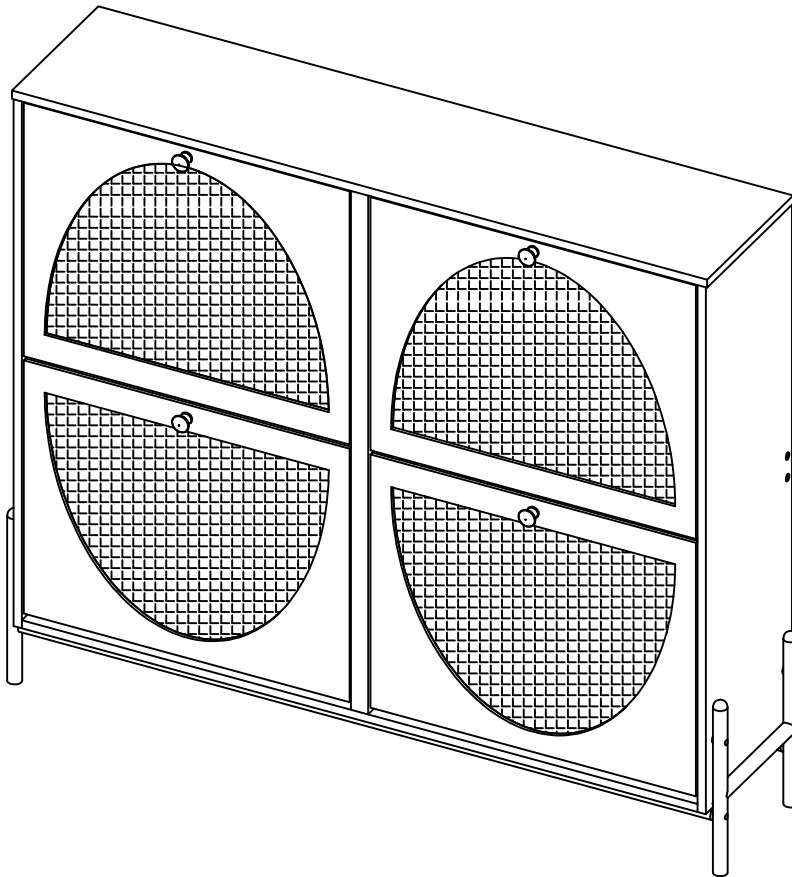




Installation Instruction

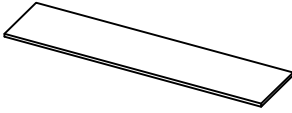




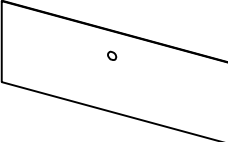
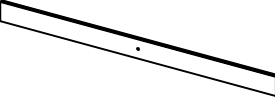


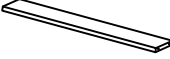
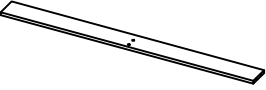

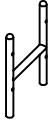
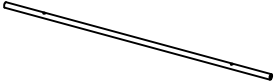
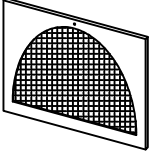
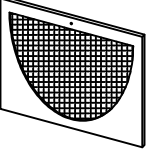
Please don't tighten the screws completely and go back later for a final tightening of all the screws after pieces are aligned with each other.



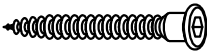
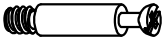











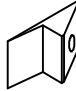



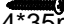



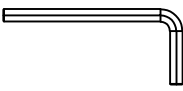
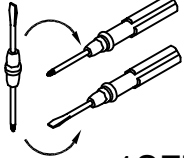
MADE IN CHINA

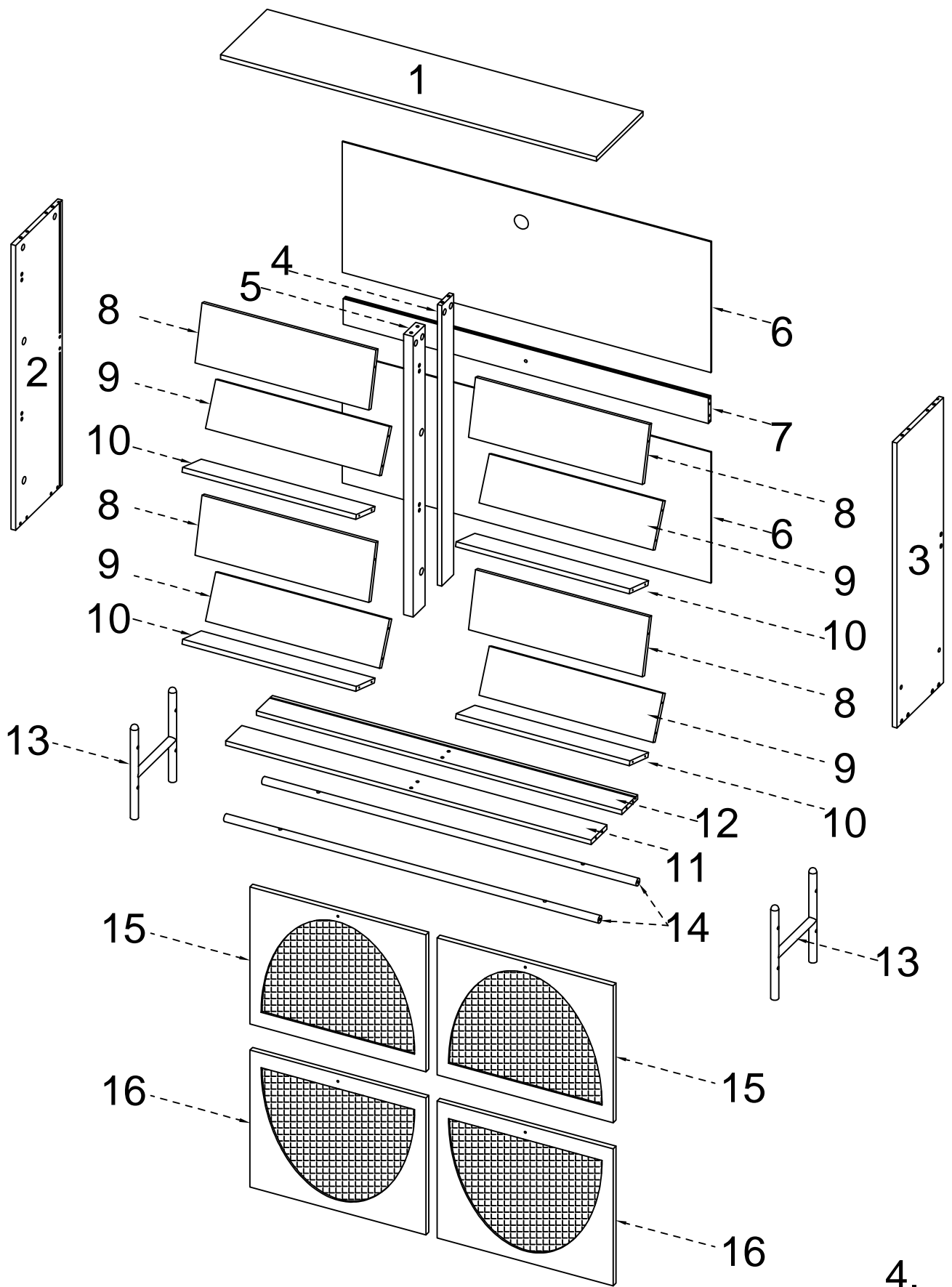
1.

HARDWARE LIST

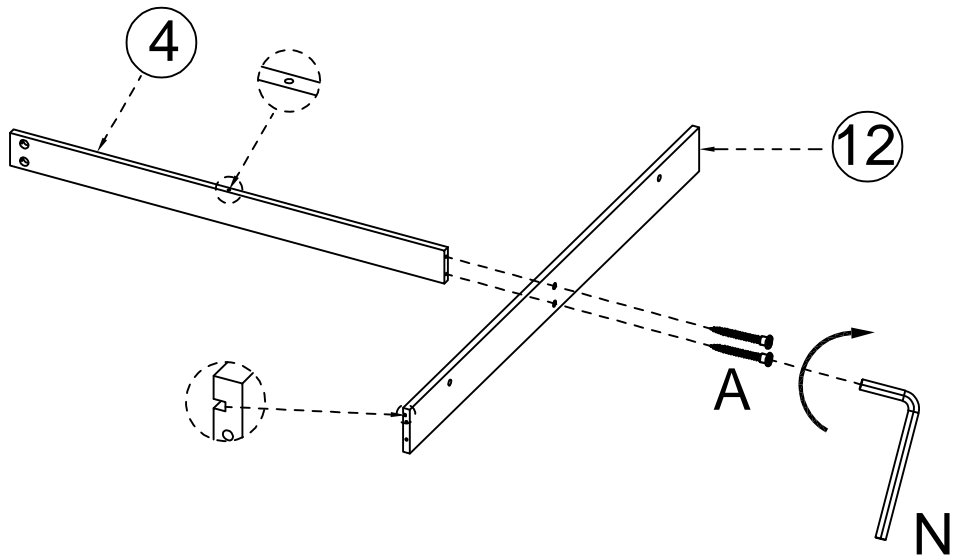
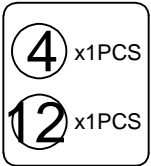
1  1PCS	2  1PCS	3  1PCS	4  1PCS
5  1PCS	6  2PCS	7  1PCS	8  4PCS
9  4PCS	10  4PCS	11  1PCS	12  1PCS
13  2PCS	14  2PCS	15  2PCS	16  2PCS

PARTA LIST

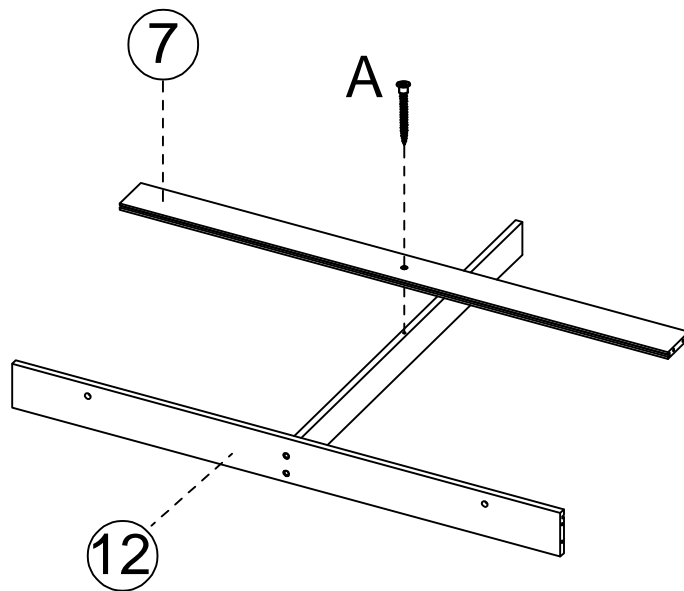
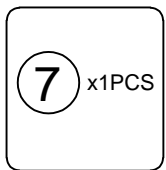
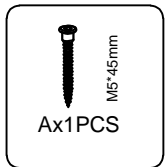
<p>A</p>  <p>M5*45mm 17+1PCS</p>	<p>B</p>  <p>M6*32mm 8+1PCS</p>	<p>C</p>  <p>8+1PCS</p>	<p>D</p>  <p>ø6*30mm 4PCS</p>
<p>E</p>  <p>ø4*35mm 40+1PCS</p>	<p>F1  8PCS</p> <p>F2  8PCS</p> <p>F3  8PCS</p> <p>F4  8+2PCS M4*8mm</p>	<p>G</p>  <p>4PCS</p>	<p>H</p>  <p>4PCS</p>
<p>I</p>  <p>M6*28mm 8+1PCS</p>	<p>J</p>  <p>M6*35mm 4+1PCS</p>	<p>K1  12PCS</p> <p>K2  36+2PCS M3*16mm</p>	<p>L1  2PCS</p> <p>L2  M4*12mm 2PCS</p> <p>L3  M4*35mm 2PCS</p> <p>L4  2PCS</p>
<p>M1  4PCS</p> <p>M2  M4*18mm 4PCS</p>	<p>N</p>  <p>1PCS</p>	 <p>1SETS</p>	



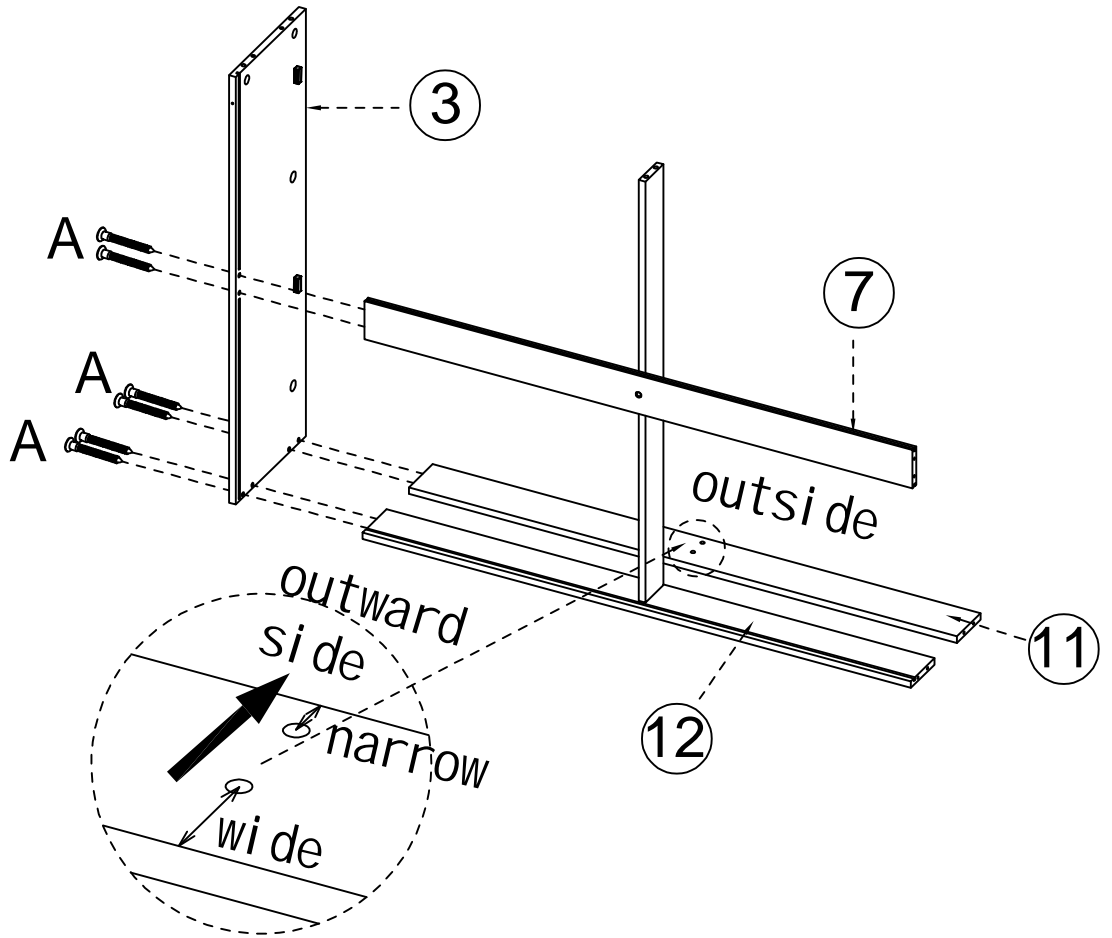
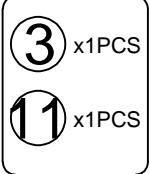
2



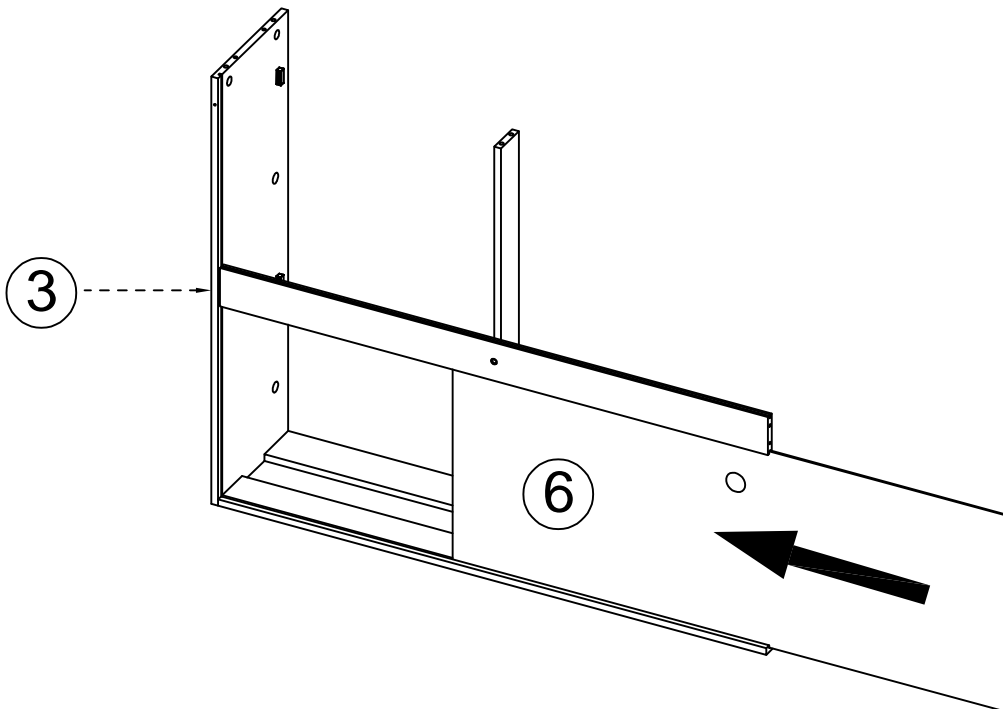
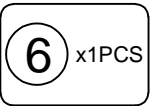
3



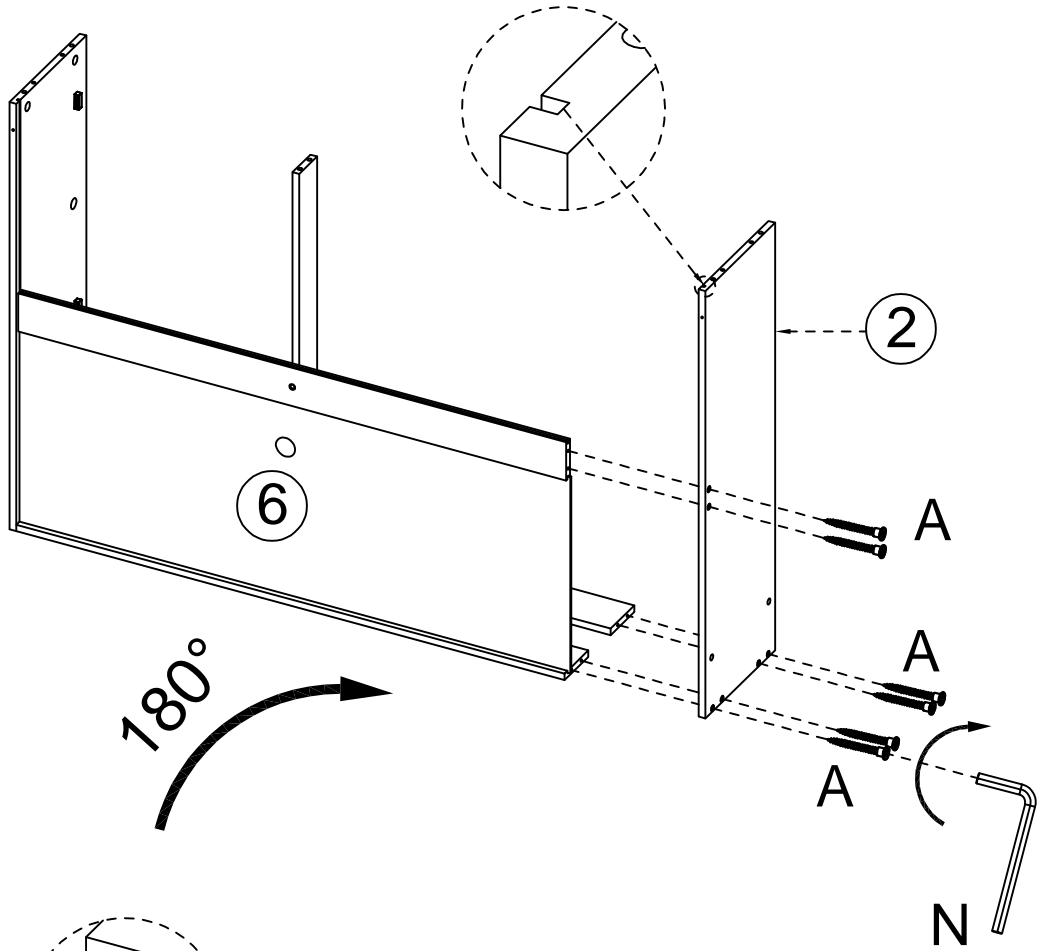
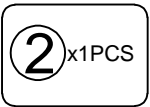
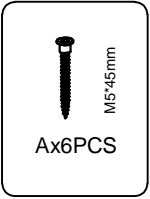
4



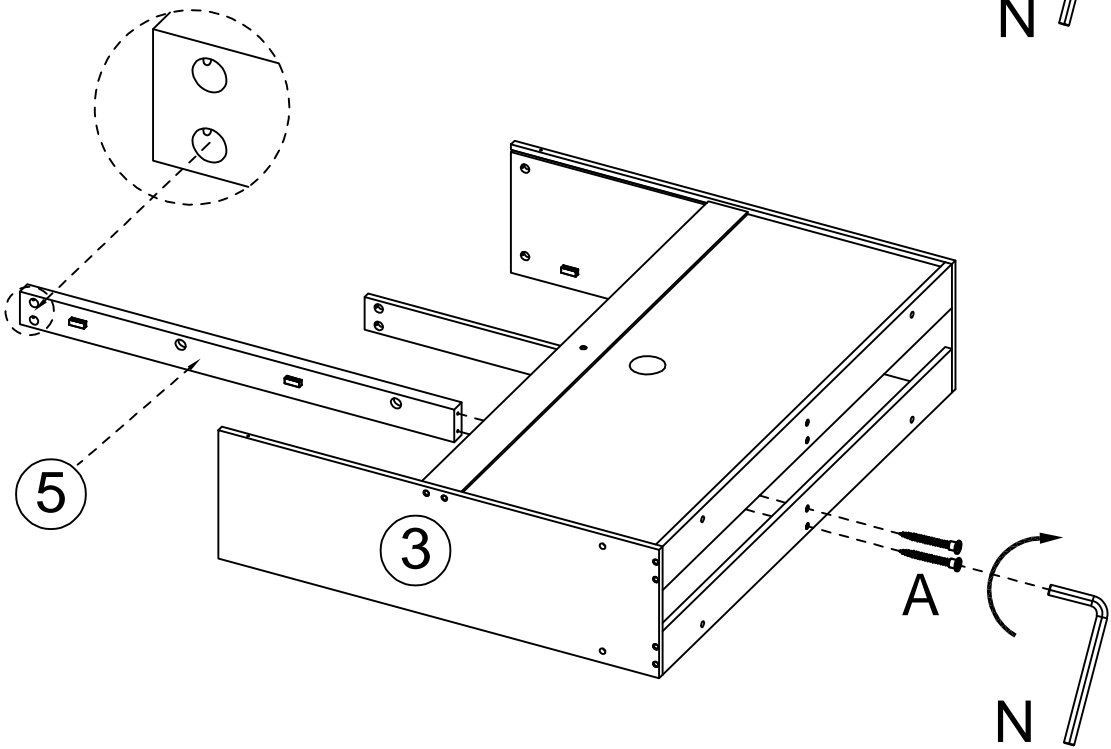
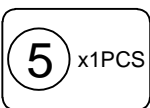
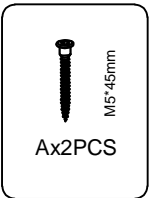
5



6



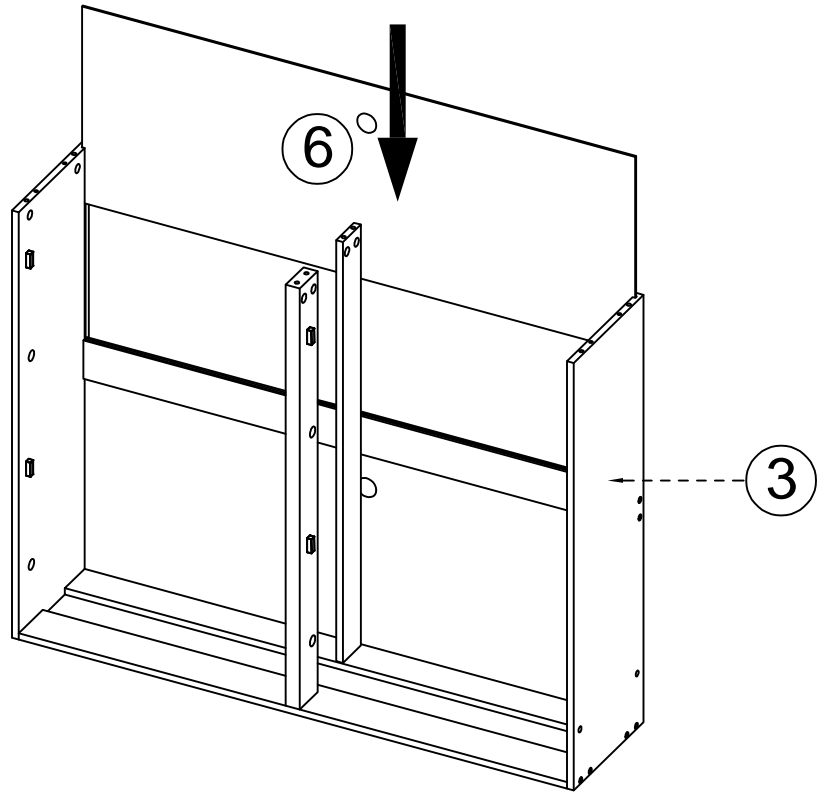
7



8.

8

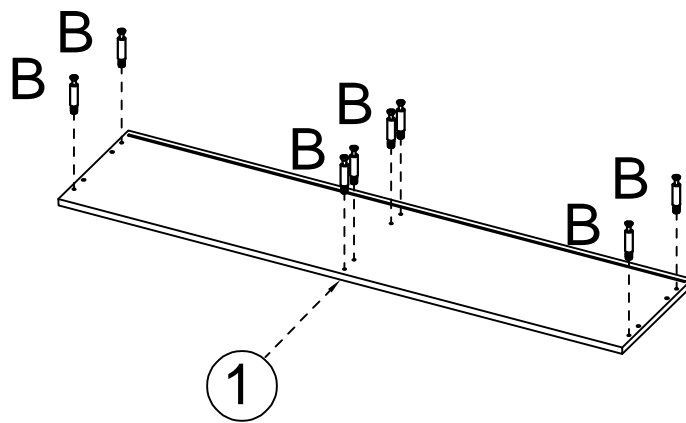
6 x2PCS



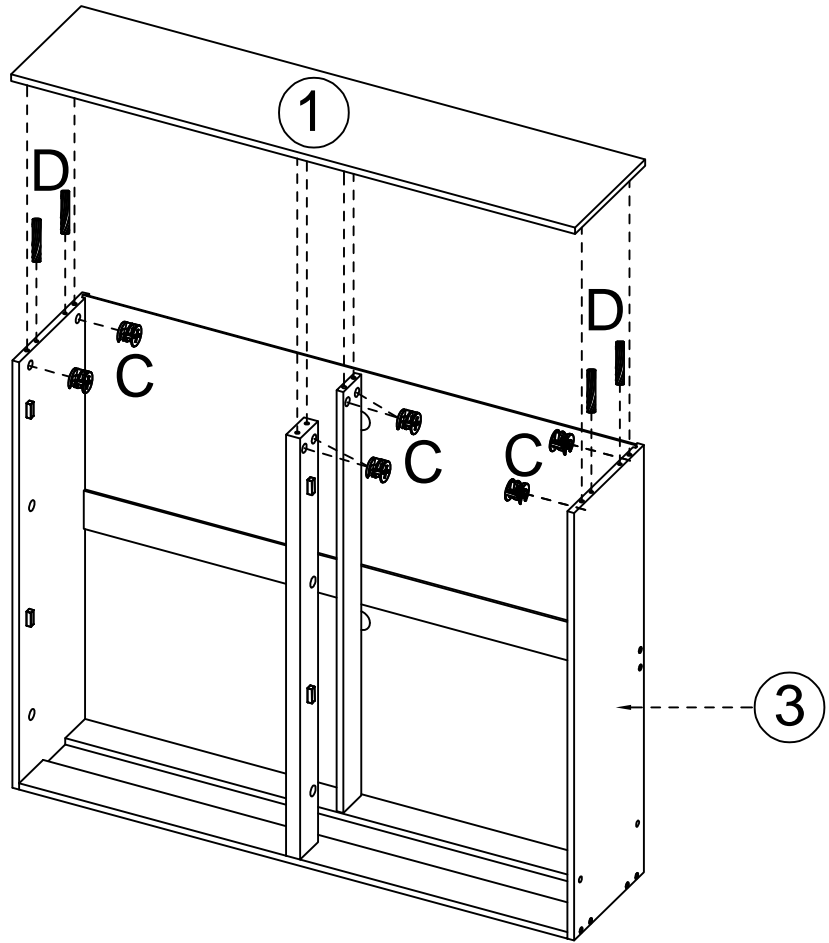
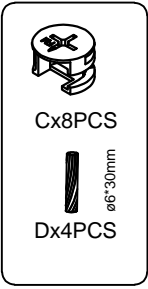
9

M6*32mm
Bx8PCS

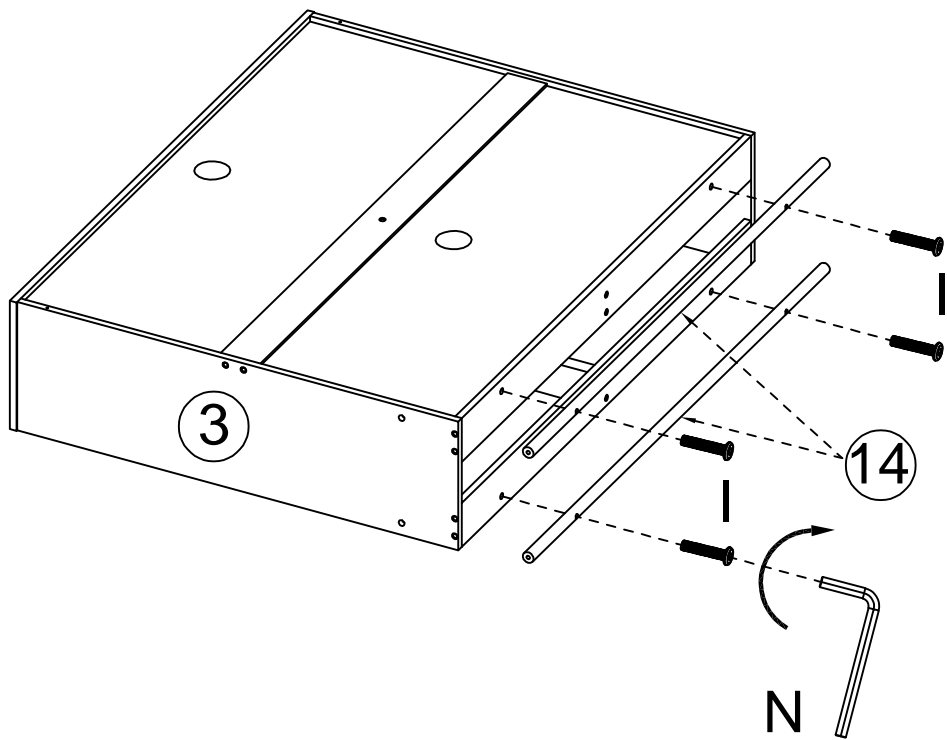
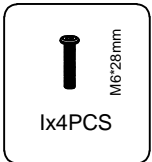
1 x1PCS



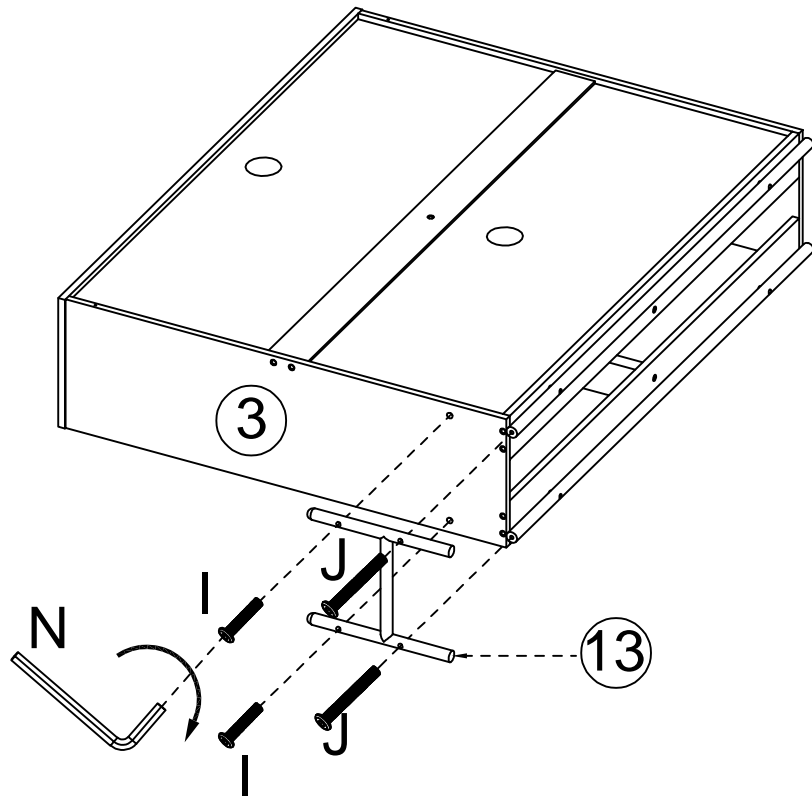
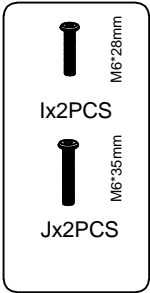
10



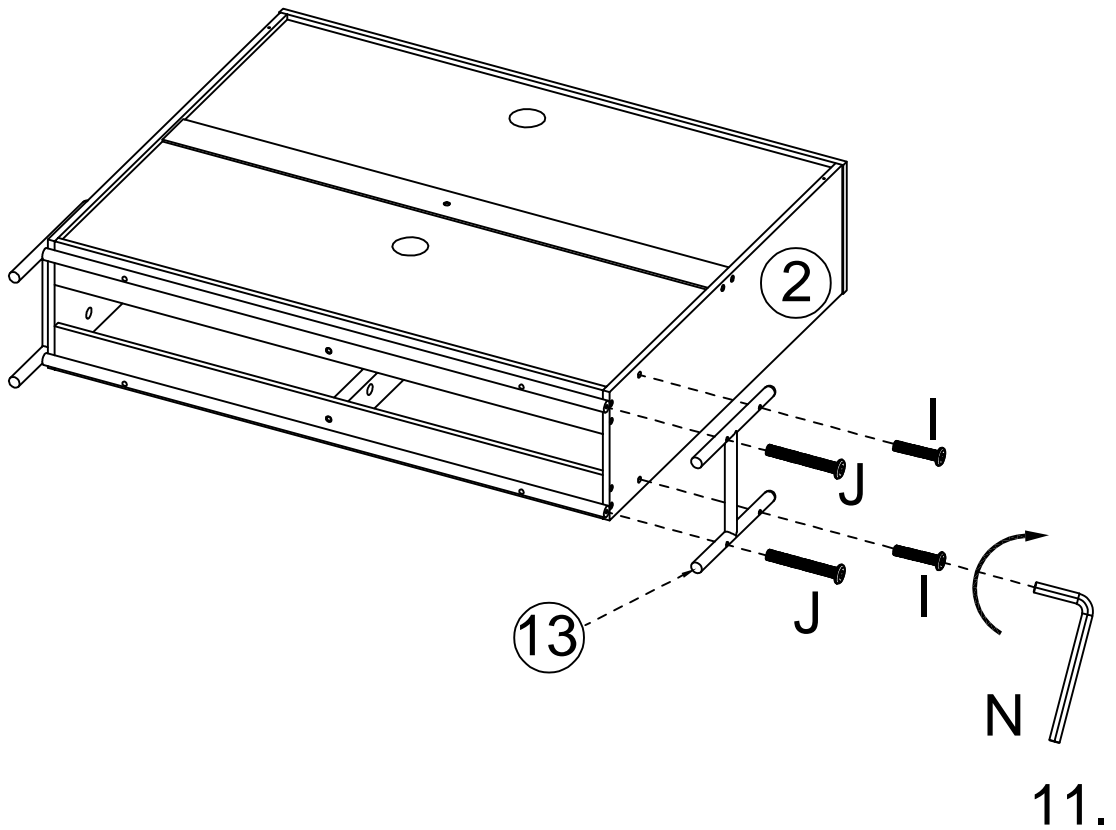
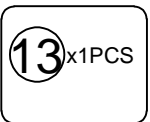
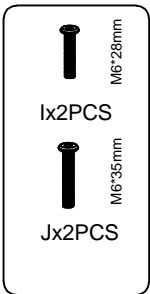
11



12



13



14



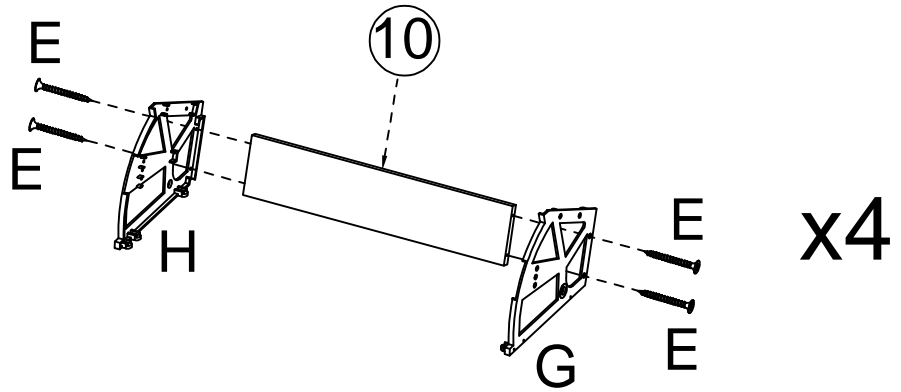
Ex16PCS



Gx4PCS



Hx4PCS



15x2PCS

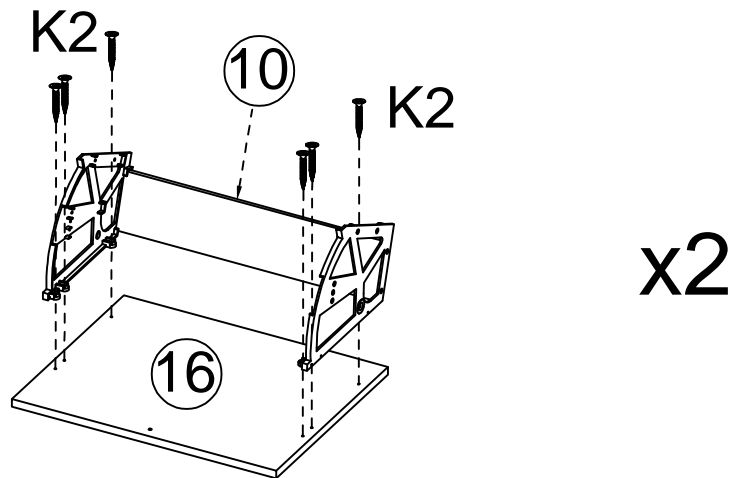
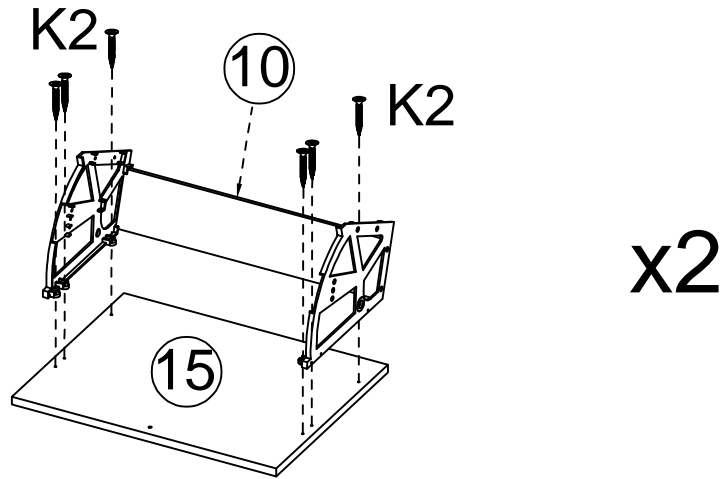
16x2PCS

15



K2x24PCS

10x4PCS



16

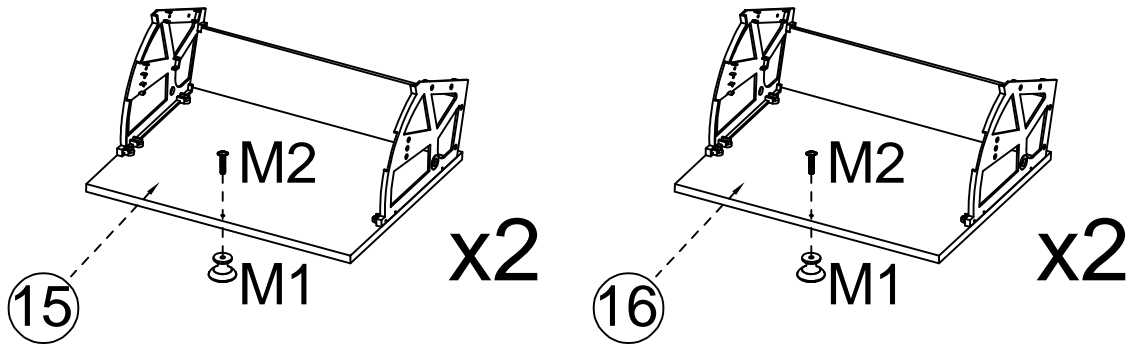


M1x4PCS



M4*18mm

M2x4PCS



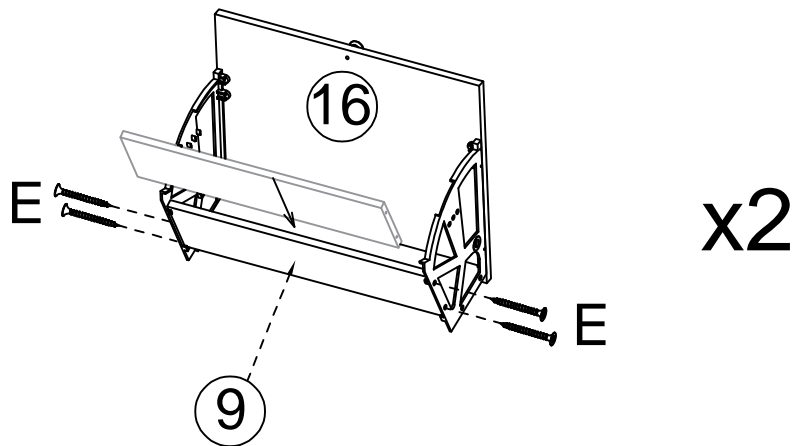
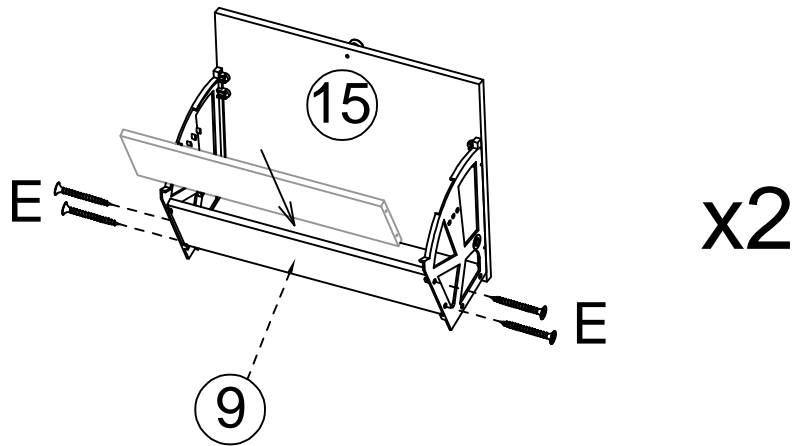
17



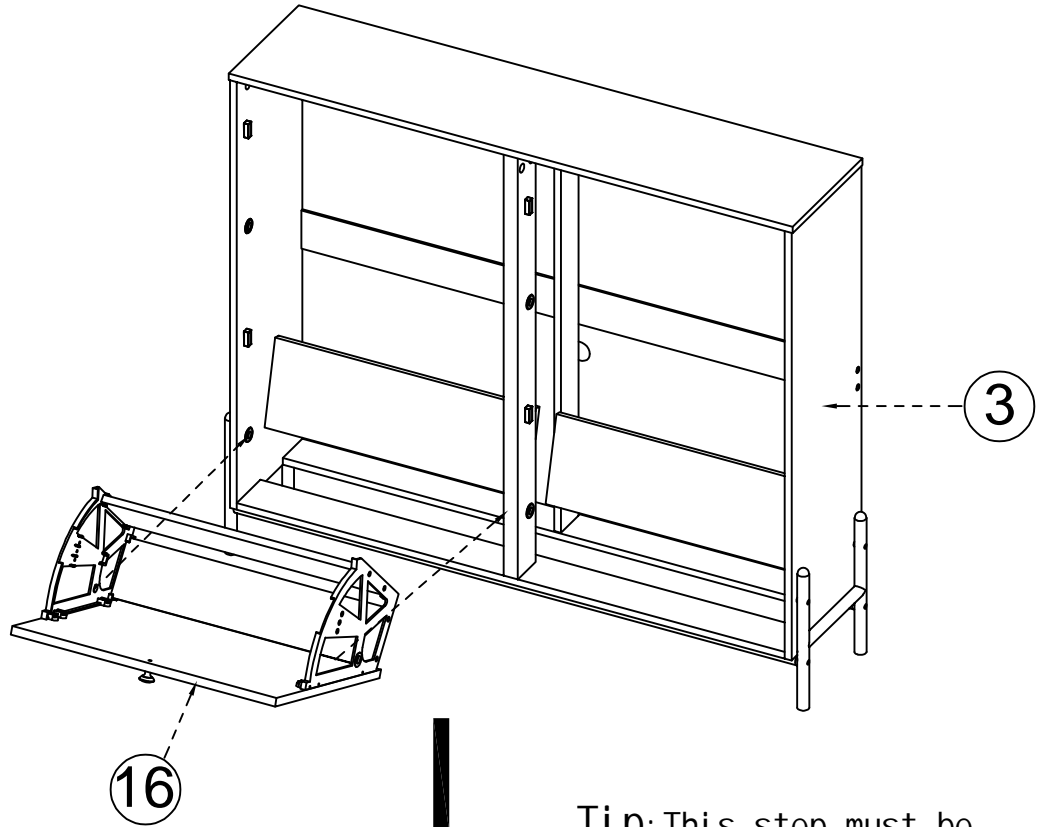
Ø4*35mm

Ex16PCS

9 x4PCS

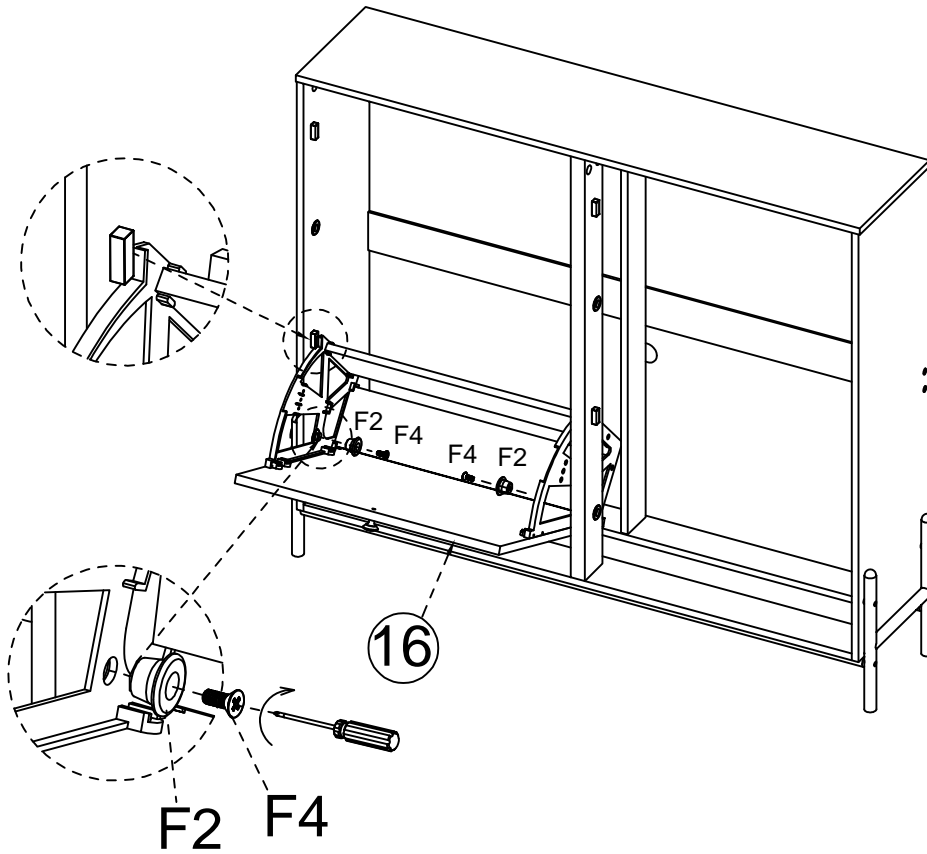
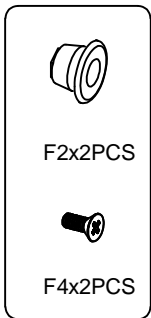


18

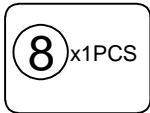
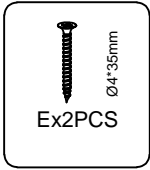


Tip: This step must be coordinated by 2 people!

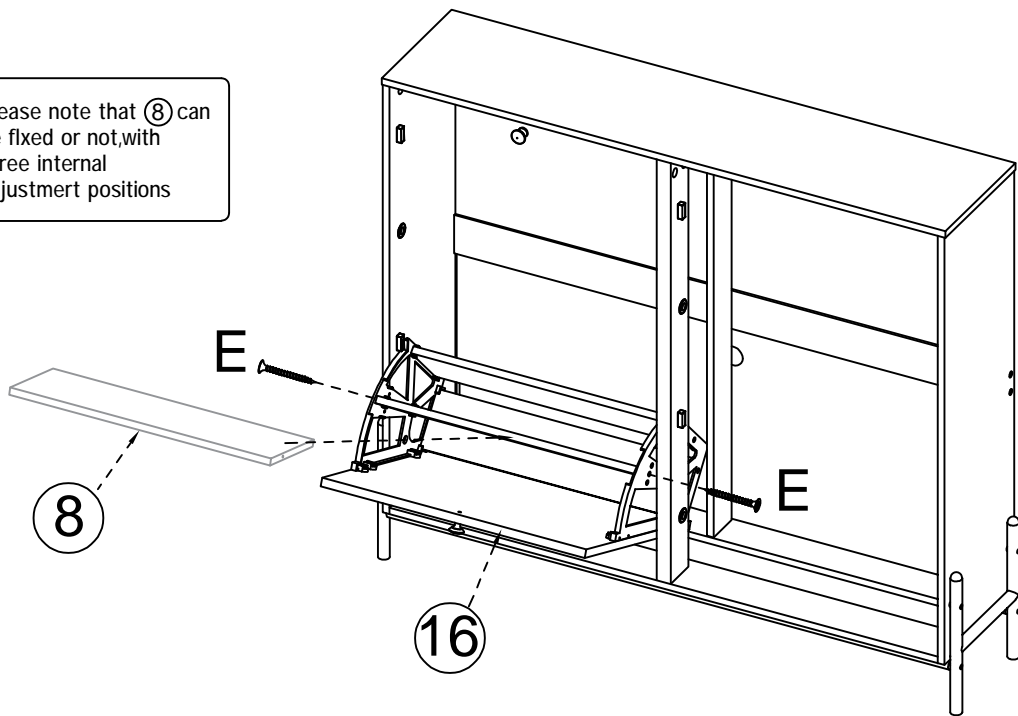
19



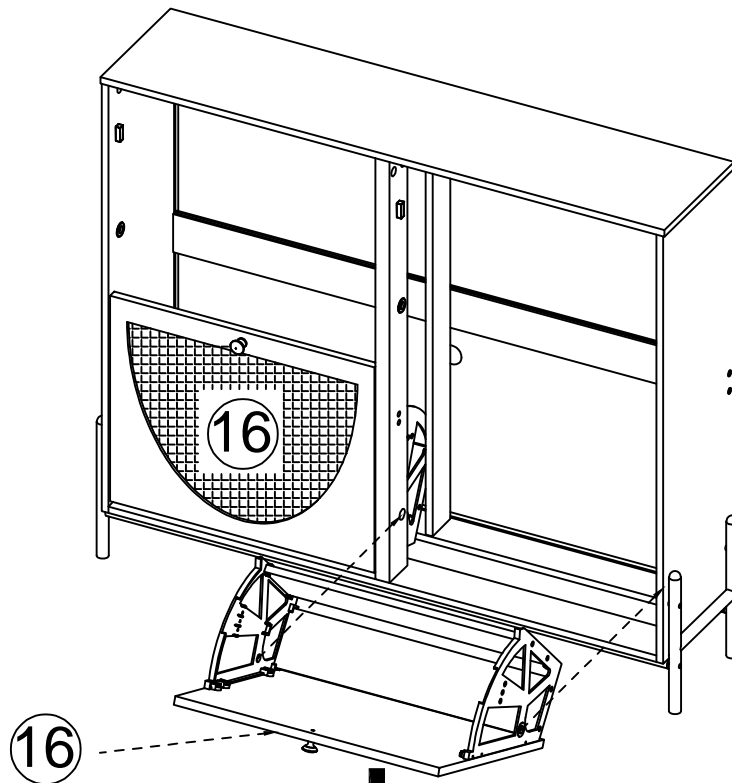
20



Please note that ⑧ can be fixed or not, with three internal adjustment positions

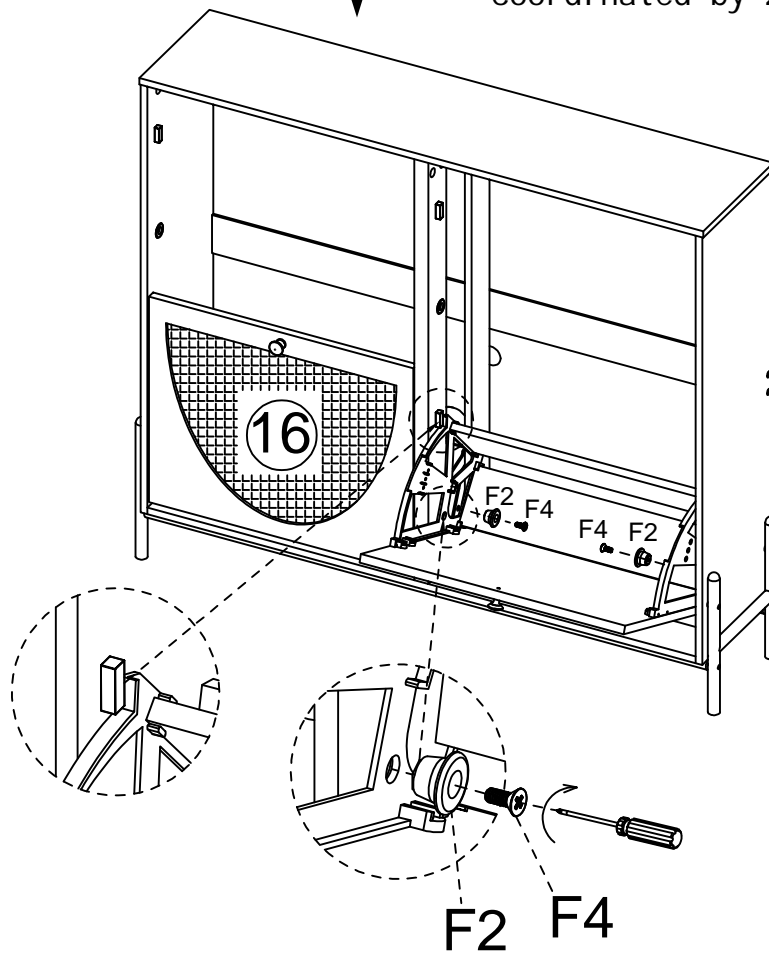
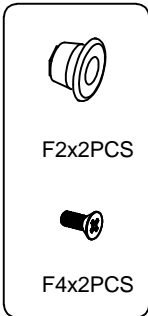


21



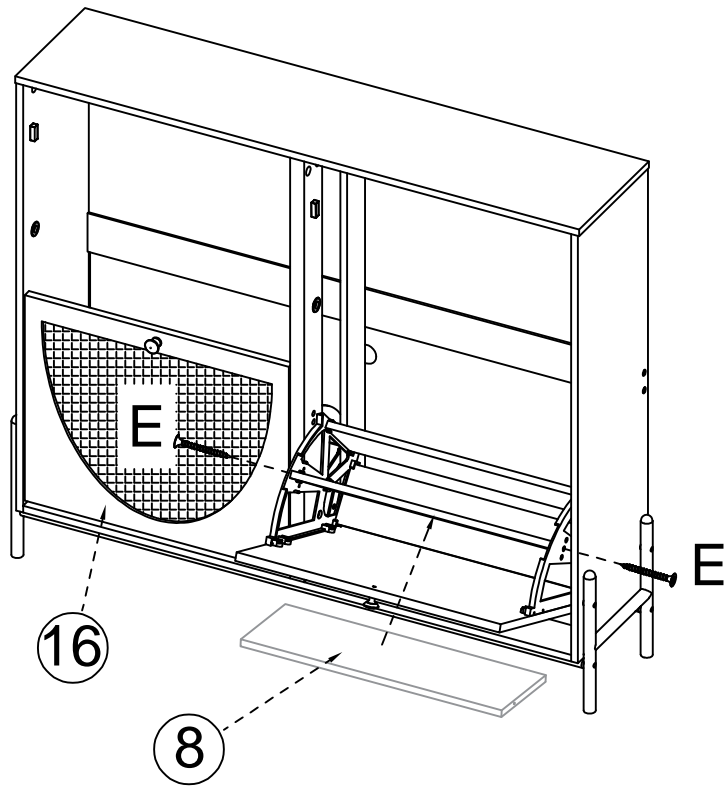
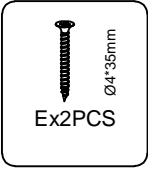
Tip: This step must be coordinated by 2 people!

22



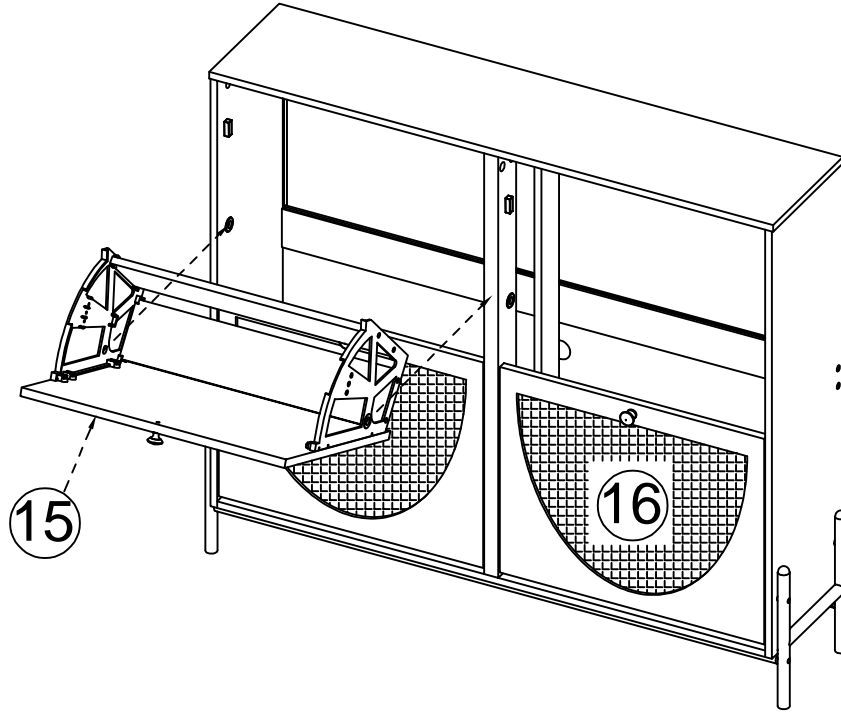
16.

23



Please note that ⑧ can be fixed or not, with three internal adjustment positions

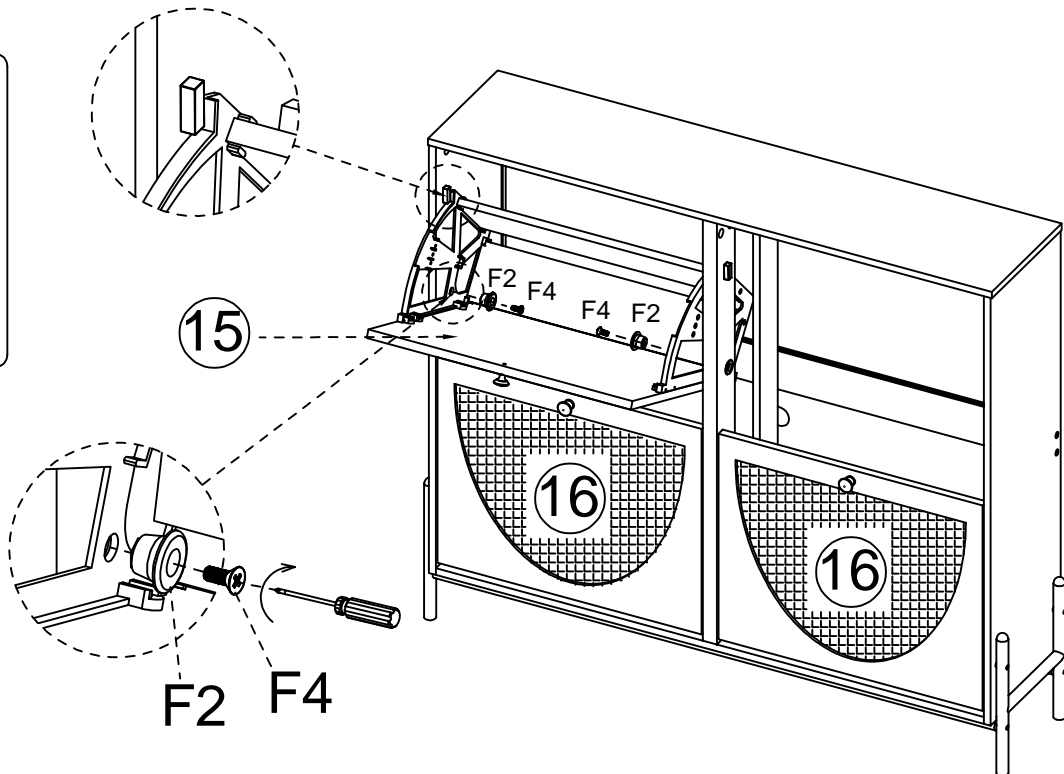
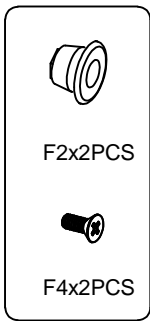
24



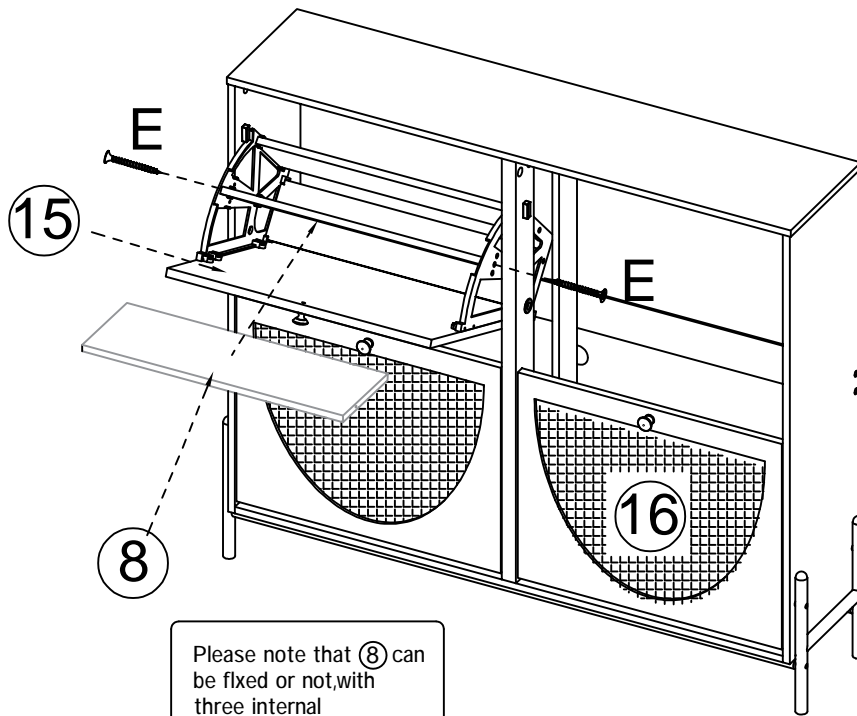
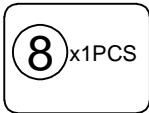
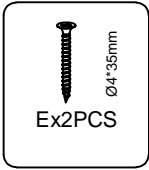
25



Tip: This step must be coordinated by 2 people!

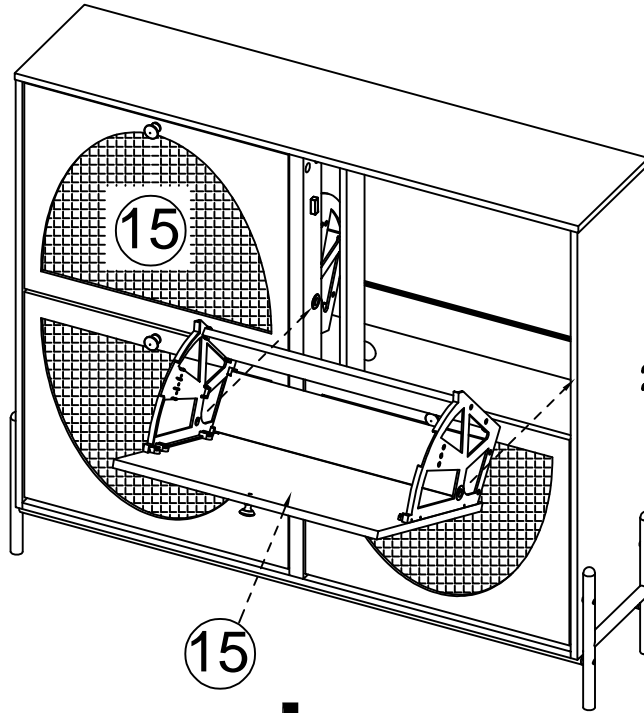


26



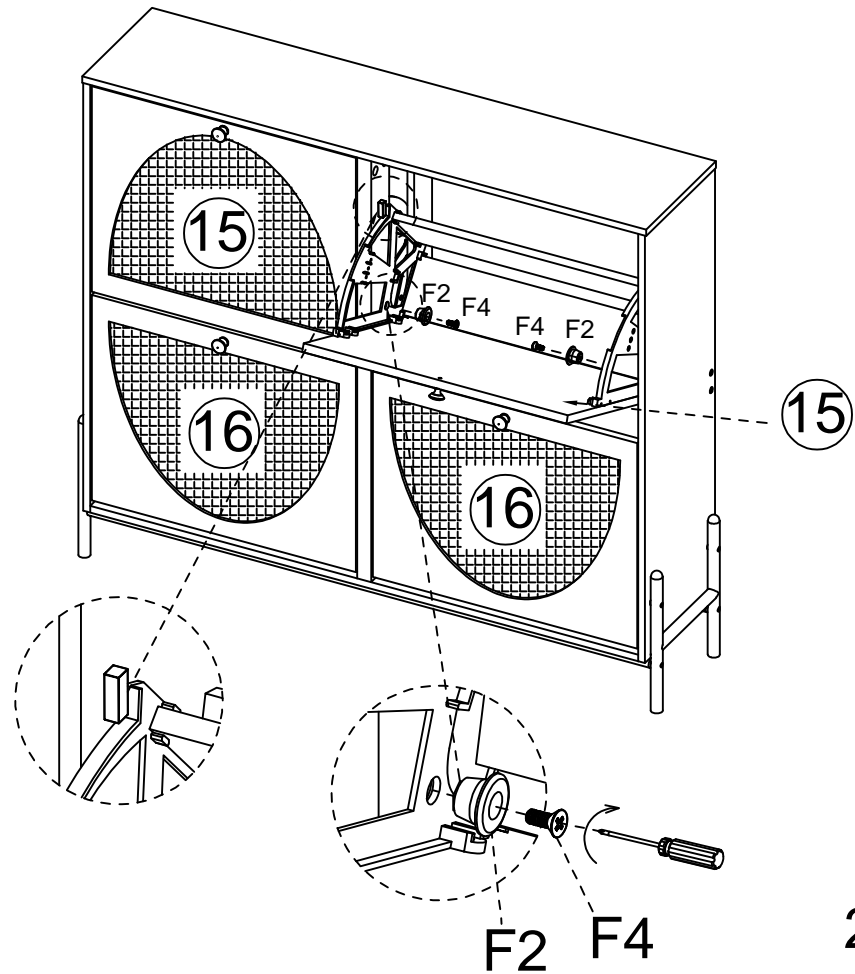
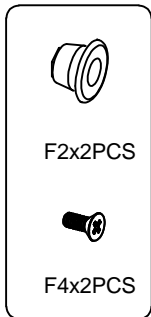
Please note that ⑧ can be fixed or not, with three internal adjustment positions

27

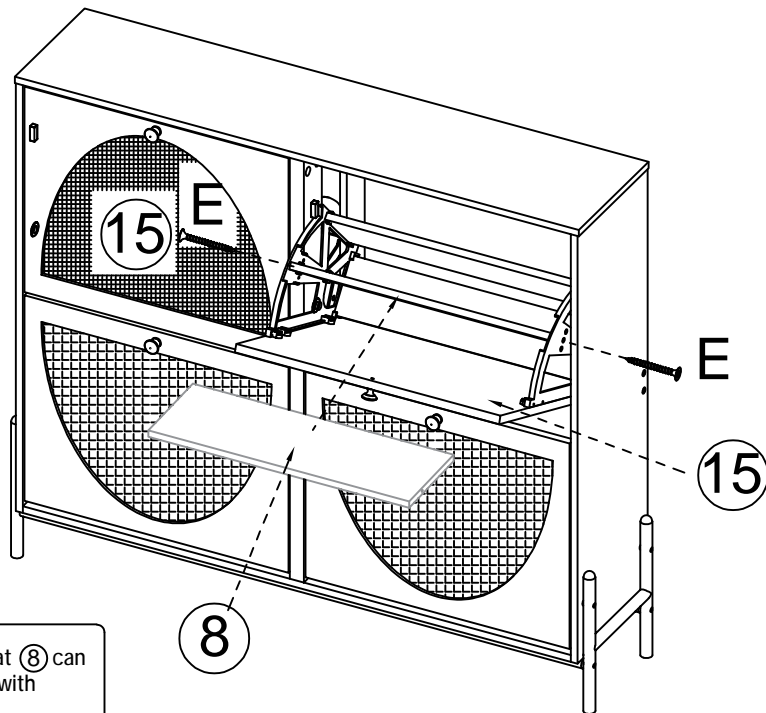
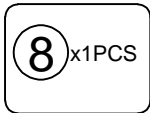
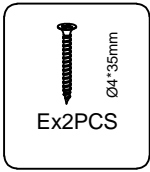


28

Tip: This step must be coordinated by 2 people!

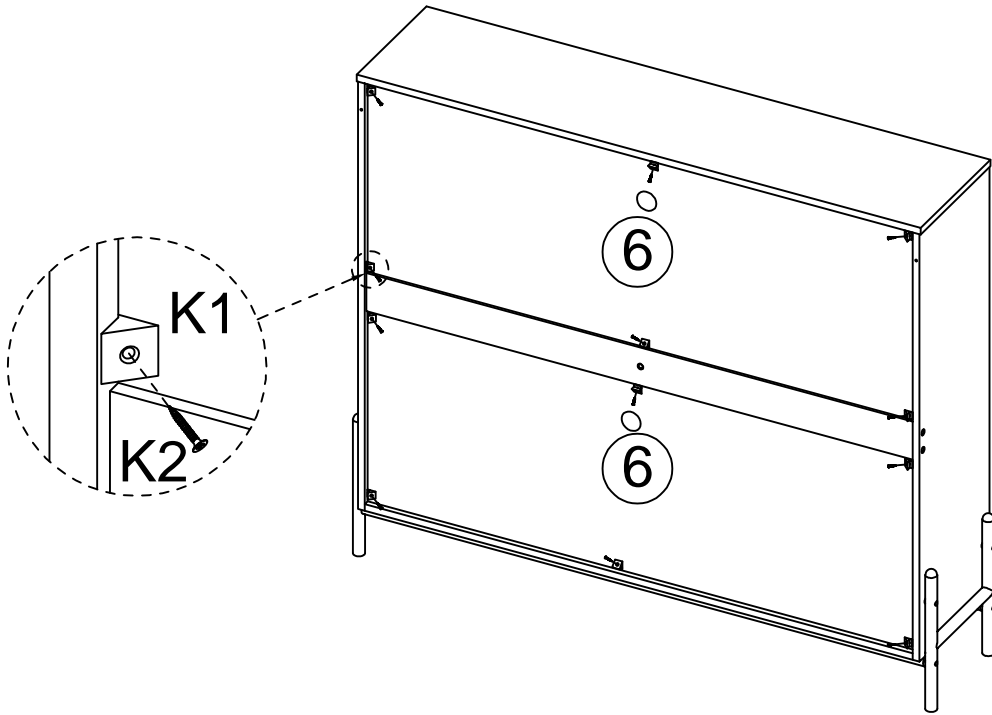
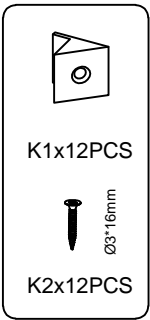


29



Please note that ⑧ can be fixed or not, with three internal adjustment positions

30



31

