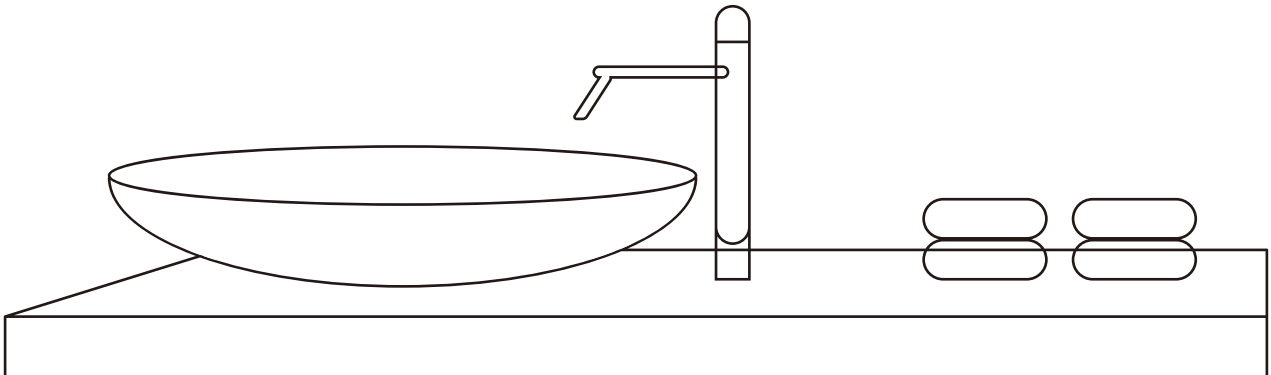
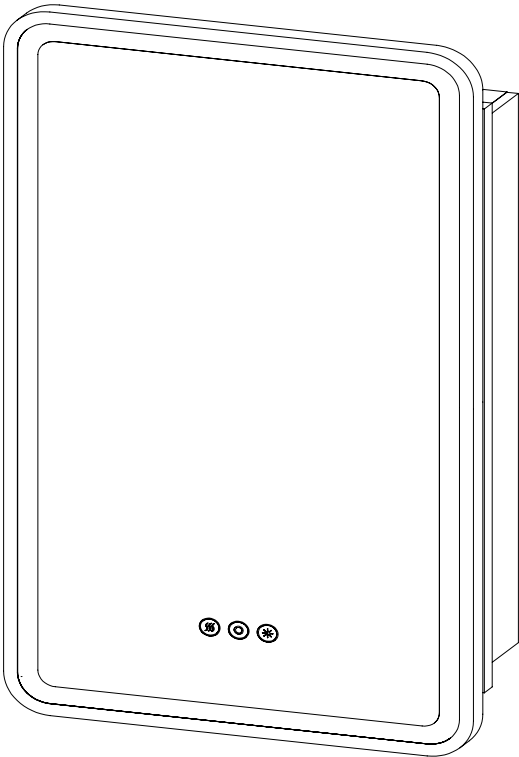


MEDICINE CABINET

Instruction Manual



BEFORE YOU BEGIN

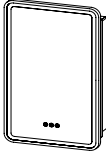

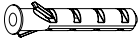

- Please read these instructions carefully before installation. Familiarize yourself with the necessary tools, materials, and procedures. Retain this manual for future reference.
- All information in these instructions is based upon latest product information available at the time of publication. The product reserves the right to make changes in product characteristics, packaging, or availability at any time without notice.

| PARAMETER | SPECIFICATION |
|---------------------|-------------------------------|
| Input | 100-120VAC,50/60Hz |
| Output | 24VDC |
| Power | Refer to product rating label |
| CCT | 2700K~4000K~6500K |
| CRI | ≥80 Ra |
| Working Temperature | -10 ~ 45 °C |
| Life Span | 25000 Hrs |
| Anti-fog | Yes |
| IP Rate | IP44 |
| Wiring Method | Hardwired |
| Switch | Touch sensor switch |

SPECIFICATIONS

| Dimension (Inch) | Dimension (Millimeter) | Types of Medicine Cabinet |
|-------------------|------------------------|---------------------------|
| 16 x 24 x 4 13/16 | 406 x 610 x 123 | Single-door |
| 16 x 28 x 4 13/16 | 406 x 711 x 123 | Single-door |
| 20 x 28 x 4 13/16 | 508 x 711 x 123 | Single-door |
| 24 x 30 x 4 13/16 | 610 x 762 x 123 | Single-door |

PACKING LIST

| No. \ Size | |  | | | |
|------------|--|--|-----------|-----------|-----------|
| | | 16" x 24" | 16" x 28" | 20" x 28" | 24" x 30" |
| (1) |  Long Screw Ø4x45 | 5 Pcs | 5 Pcs | 5 Pcs | 5 Pcs |
| (2) |  Anchor Ø6x35 | 5 Pcs | 5 Pcs | 5 Pcs | 5 Pcs |
| (3) |  Wiring cap | 4 Pcs | 4 Pcs | 4 Pcs | 4 Pcs |

- Carefully review all parts and read the installation instructions before you start. If parts are missing, please contact us.

IMPORTANT SAFETY INSTRUCTIONS

NOTE

Please read instructions thoroughly before installation and keep them for future reference. Do not discard any packaging materials or instructions until installation is complete and everything has been verified.

To prevent damage, do not place the cabinet directly on tile or concrete surfaces prior to installation. Use a protective layer to avoid chipping the corners.

Be sure to check for any hidden wiring or pipes before drilling guide holes to avoid potential damage.

DANGER

- To reduce the risk of electric shock:

Always unplug this product from the electrical outlet before cleaning.

WARNING

-To reduce the risk of burns, fire, electric shock, or injury to persons:unplug from outlet before putting on or taking off parts.

-Close supervision is necessary when this product is used by, or near children, invalids, or disabled persons.

-Use this product only for its intended use as described in these instructions. Do not use attachments not recommended by the manufacturer.

-Never operate this product if it has a damaged cord or plug, if it is not working properly, if it has been dropped or damaged, or dropped into water. Return the product to a service center for examination and repair.

-Keep the cord away from heated surfaces.

-Never operate the product with the air openings blocked. Keep the air openings free of lint, hair, and the like.

-Never drop or insert any object into any opening.

-Do not use outdoors.

-Do not operate where aerosol (spray) products are being used or where oxygen is being administered.

-To disconnect, turn all controls to the off position, then remove plug from outlet.

-Mount product at the correct height.

-For Household / Residential Use Only.

-Assemble on the branch circuit provided with Class A GFCI protection.

-Risk of Electric Shock

- Connect this product to a properly grounded outlet only. See Grounding Instructions.

ELECTRIC CONNECTIONS

GROUNDING INSTRUCTION

CAUTION

This product must be connected to a grounded metal, permanent wiring system, or an equipment-grounding conductor must be run with the circuit conductors and connected to the equipment-grounding terminal or lead on the product.



INSTALLATION INSTRUCTIONS

WARNING

An Electrical option Medicine Cabinet must be wired to a 20 Amp GFCI (Ground Fault Circuit Interrupter) protected circuit when used in bathrooms and all other locations required by the National Electric Code.

IMPORTANT

- To prevent damage, do not place the cabinet directly on tile or concrete surfaces prior to installation. Use a protective layer to avoid chipping the corners.
- Be sure to check for any hidden wiring or pipes before drilling guide holes to avoid potential damage.
- A certified electrician must perform all work. The mirror must be connected to GFCI.

CARE AND CLEANING

To clean the cabinet, use a soft, dry cloth. For more thorough cleaning, use a cloth dampened with warm, soapy water. Avoid using abrasive pads, harsh chemicals, alcohol, or solvents, as these may damage the surface finish.

For the mirror, wipe with a soft, damp cloth. If using a glass cleaner, always apply it to the cloth — never spray directly onto the mirror.


FCC Compliance Statement

This device complies with part 15 of the FCC Rules. Operation is subject to the following two conditions: (1) This device may not cause harmful interference, and (2) this device must accept any interference received, including interference that may cause undesired operation.

Note:

This equipment has been tested and found to comply with the limits for a Class B digital device, pursuant to part 15 of the FCC Rules. These limits are designed to provide reasonable protection against harmful interference in a residential installation. This equipment generates, uses and can radiate radio frequency energy and, if not installed and used in accordance with the instructions, may cause harmful interference to radio communications. However, there is no guarantee that interference will not occur in a particular installation. If this equipment does cause harmful interference to radio or television reception, which can be determined by turning the equipment off and on, the user is encouraged to try to correct the interference by one or more of the following measures:

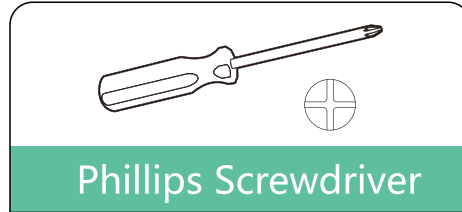
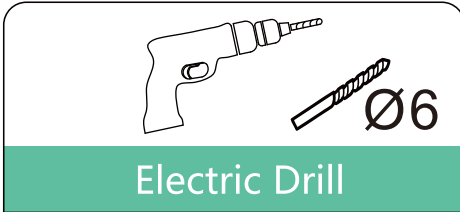
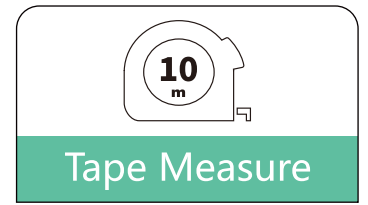
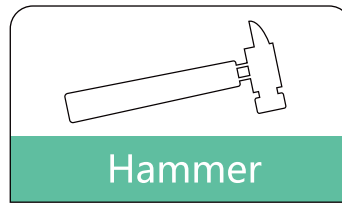
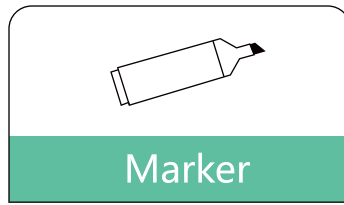
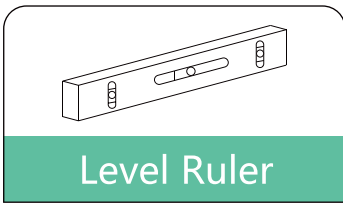
- Reorient or relocate the receiving antenna.
- Increase the separation between the equipment and receiver.
- Connect the equipment into an outlet on a circuit different from that to which the receiver is connected.
- Consult the dealer or an experienced radio/TV technician for help.

This symbol  indicates that electrical and electronic equipment (WEEE) should not be mixed with general household waste.

For recovery and recycling, please take this product to a designated collection point where it will be accepted free of charge. Many retailers offer take-back services. Disposing of this product correctly will help save valuable resources and prevent any potential negative effects on human health and the environment.

INSTALLATION

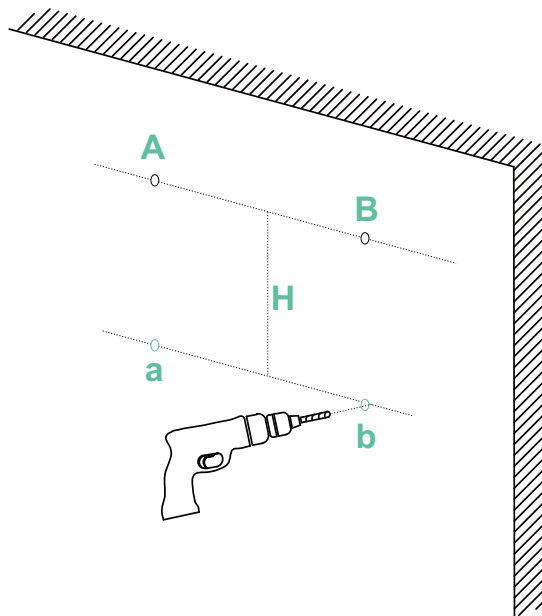
Installation Tools (Tools Not Included)



SURFACE MOUNT

Step 1

Refer to the hole spacing diagram below or use the back mounting holes on the cabinet body as a guide. Mark the corresponding positions on the wall, then drill holes using an electric drill.



Required Tools

Electric drill

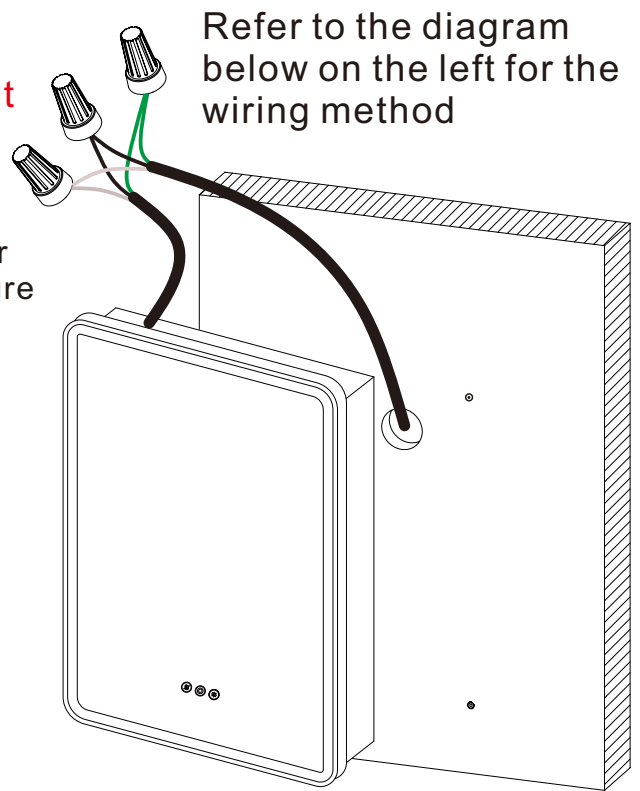
| Product size | | | | |
|-------------------|-----------|-----------|-----------|-----------|
| | 16" x 24" | 16" x 28" | 20" x 28" | 24" x 30" |
| Distance | | | | |
| A→B | 10 1/2" | 10 1/2" | 14 1/2" | 18 1/2" |
| Interval H | 13 3/4" | 17 3/4" | 17 3/4" | 19 5/8" |
| a→b | 10 1/2" | 10 1/2" | 14 1/2" | 18 1/2" |

SURFACE MOUNT


Step 2

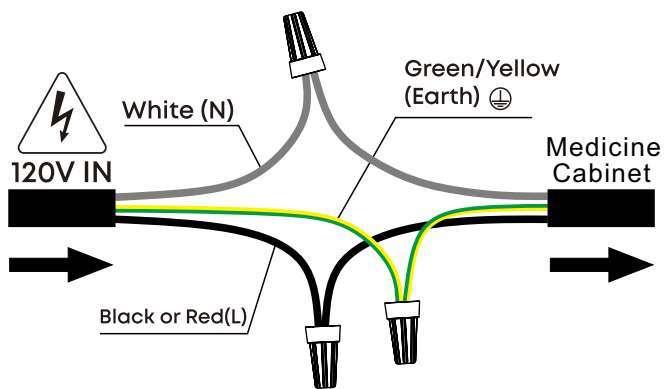
Make sure power is turned off at the breaker before wiring. All electrical connections must comply with local codes and the National Electrical Code (NEC, NFPA 70).

Connect the cabinet wiring to your household power supply using the included wire connectors. Make sure all connections are properly secured and tucked inside the wall before mounting the cabinet.



Refer to the diagram below on the left for the wiring method



| | | |
|-----|---|------------|
| (3) |  | Wiring Cap |
|-----|---|------------|

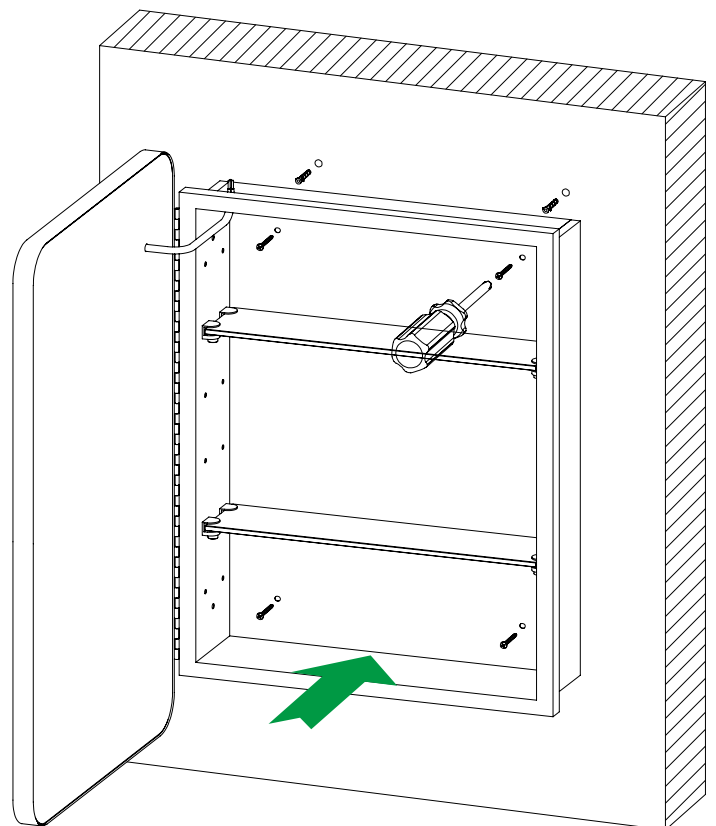


Step 3

Place anchor (2) into the drilled holes and fix the cabinet to the wall with long screw (1).

The cabinet is now ready for regular use.

| | | |
|-----|---|---------------------|
| (1) |  | Long Screw Ø4x45 |
| (2) |  | Anchor Ø6x35 |

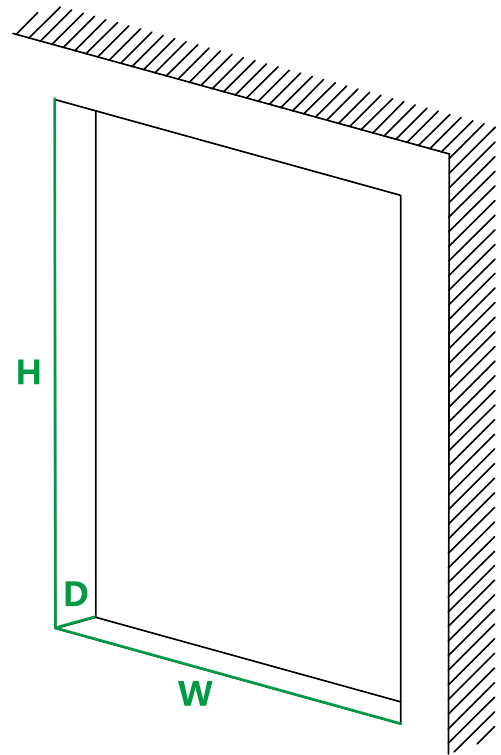


RECESSED MOUNT

Step 1

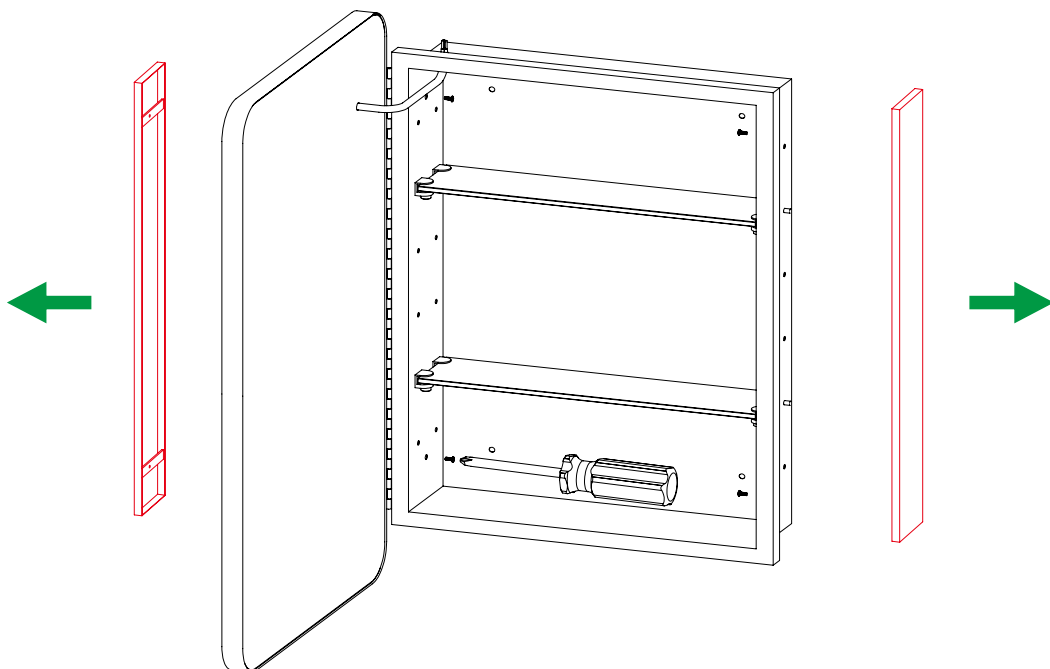
For recessed installation, cut an opening according to the dimensions shown in the diagram below.

| Dimension Size | W | H | D |
|-------------------|---------|---------|--------|
| 16" x 24" | 15 1/2" | 18 1/4" | 3 3/8" |
| 16" x 28" | 15 1/2" | 22 1/4" | 3 3/8" |
| 20" x 28" | 19 1/2" | 22 1/4" | 3 3/8" |
| 24" x 30" | 23 1/2" | 24 1/4" | 3 3/8" |



Step 2

Loosen screws on both sides and remove the side panel.

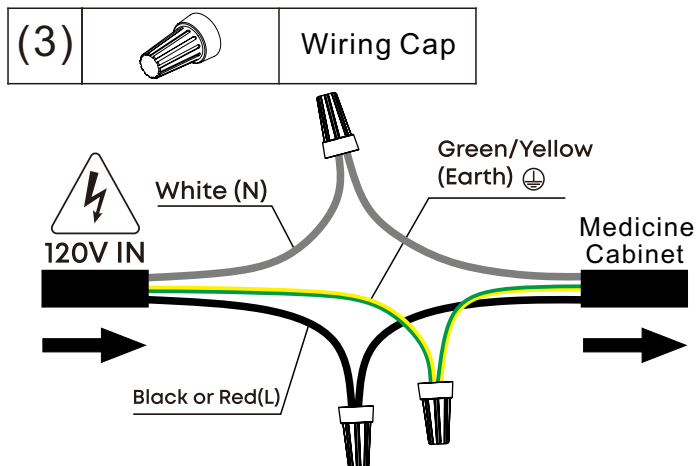


RECESSED MOUNT

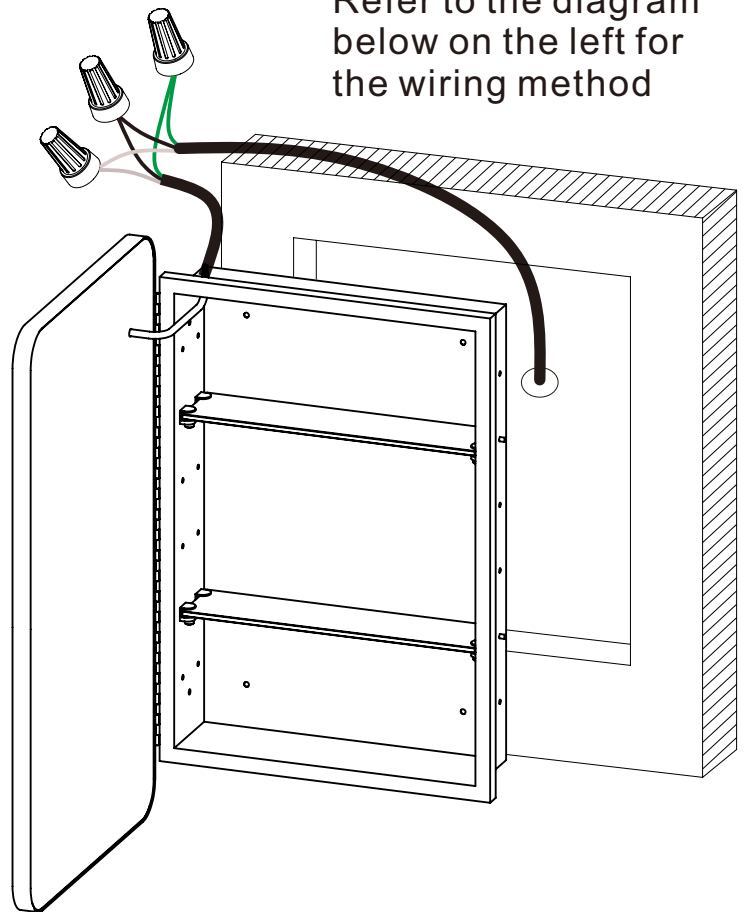
Step 3

Make sure power is turned off at the breaker before wiring. All electrical connections must comply with local codes and the National Electrical Code (NEC, NFPA 70).

Connect the cabinet wiring to your household power supply using the included wire connectors. Make sure all connections are properly secured and tucked inside the wall before mounting the cabinet.




Refer to the diagram below on the left for the wiring method

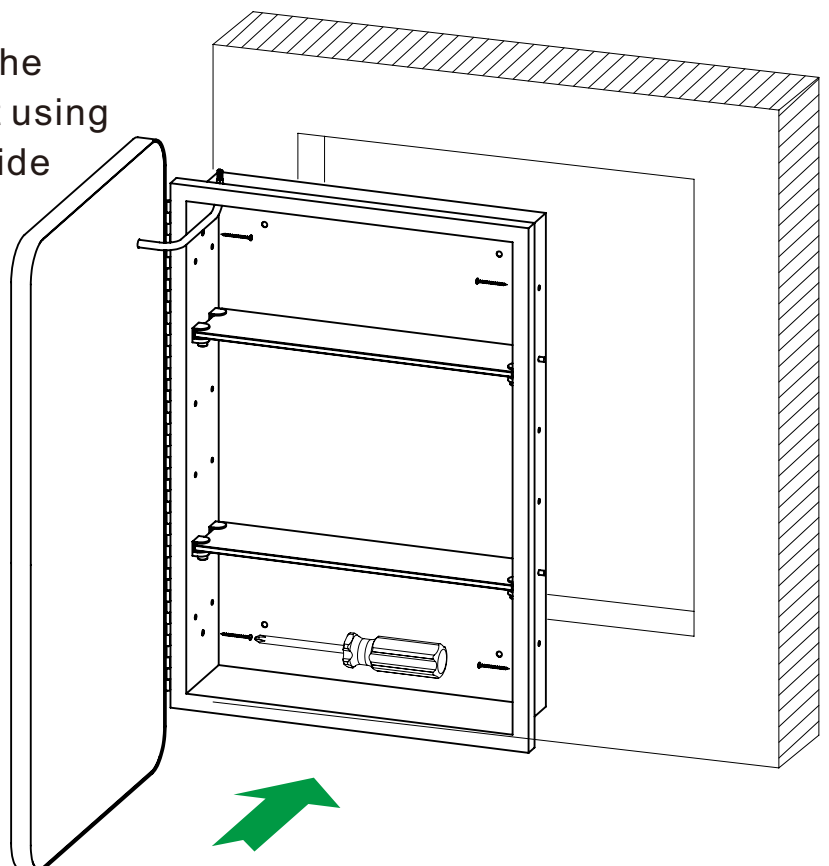


Step 4

Carefully place the cabinet into the prepared wall opening. Secure it using the long screws (3) through the side brackets.

The cabinet is now ready for regular use.

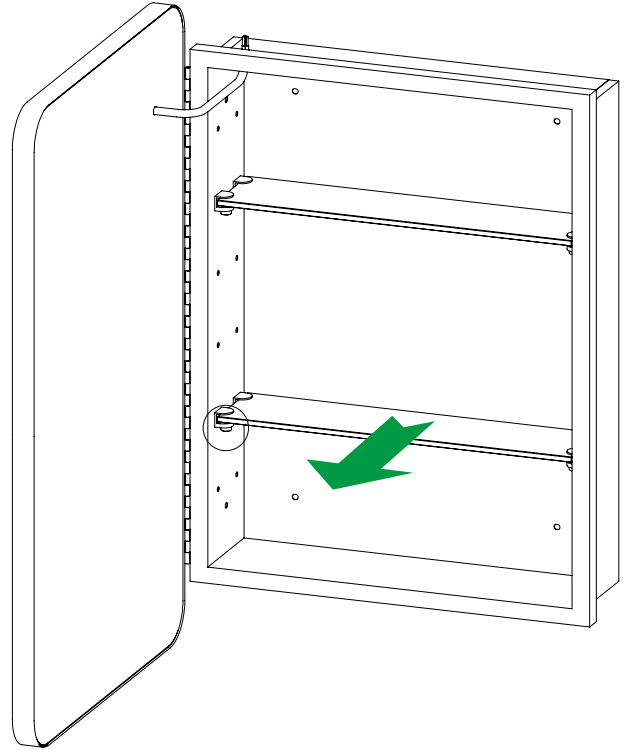
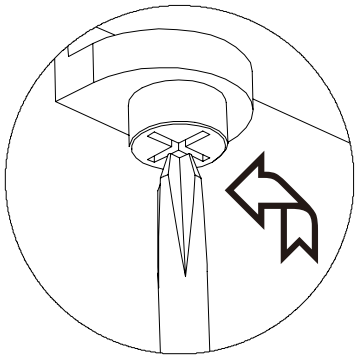
| | | |
|-----|---|----------------|
| (3) |  | Screw Ø5x55 |
|-----|---|----------------|



HOW TO ADJUST THE HEIGHT OF TEMPERED GLASS SHELF

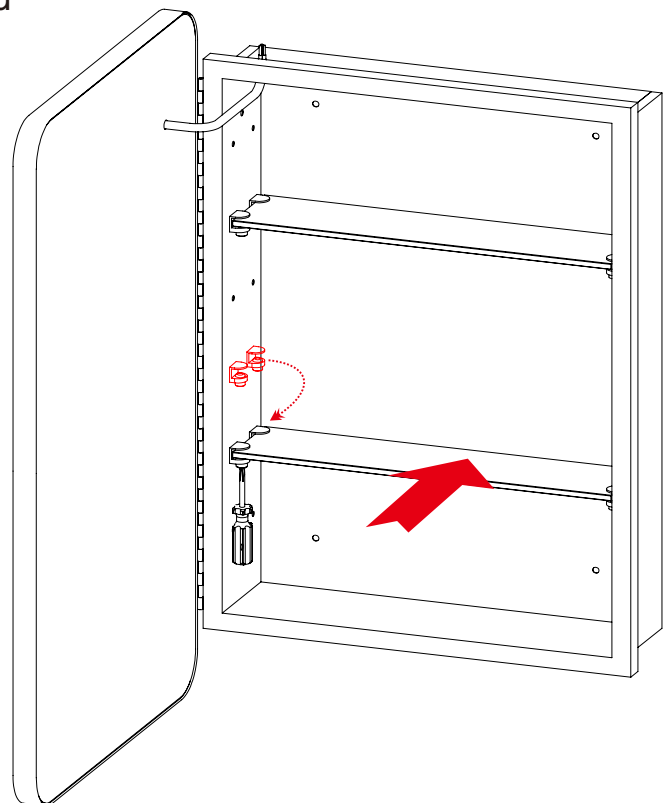
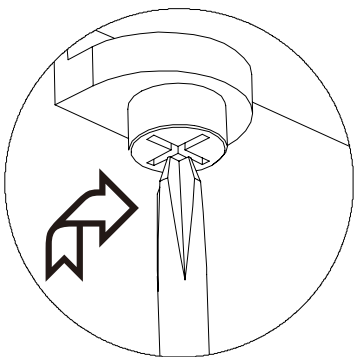
Step 1

Loosen the screws on the four shelf brackets and carefully remove the tempered glass shelf.



Step 2

Adjust the shelf brackets to the desired position. Carefully slide the tempered glass shelf into the bracket slots, then tighten the nuts securely.



OPERATION INSTRUCTION



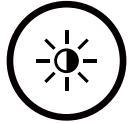
Lighting Button

- Single Tap: Turns the LED light on or off
- Press and Hold: Adjusts brightness continuously
- Release and Press Again: Reverses the dimming direction



Anti-Fog Button

- Single Tap: Activates or deactivates the anti-fog feature
- Auto Shut-off: Turns off automatically after 60 minutes



Color Temperature (CCT) Button

- Single Tap: Switches between 2700K(warm), 4000K(neutral), and 6500K(cool)

◆ Touch Button Light Indicator

- White Color: Standby Mode
- Yellow Color: Working Mode
- Lights Off: Off

AFTER-SALES SERVICE CARD

Thank you sincerely for choosing our product — we truly appreciate your trust. We hope it brings both beauty and functionality to your home. Each item is carefully inspected and thoughtfully packaged to ensure the highest quality. If you experience any issues with shipping or the product itself, please don't hesitate to reach out. We're always here and happy to assist you in any way we can.



Warranty Information

The medicine cabinet is covered by a 1-year limited warranty from the date of purchase, protecting against manufacturing defects and hardware malfunctions under normal residential use.