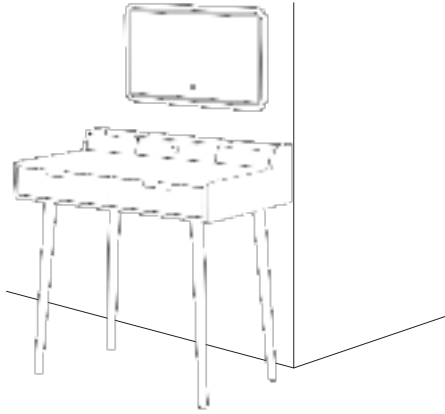
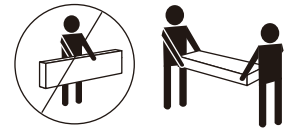


Assemble instruction for dressing table



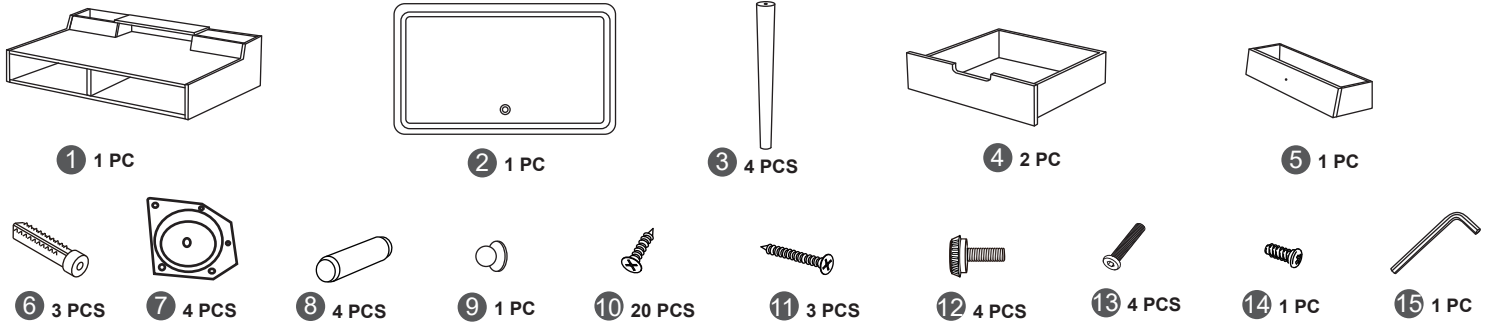
Two adults must be required. Before you begin, please follow Assembly Instruction step by step.



Maintenance

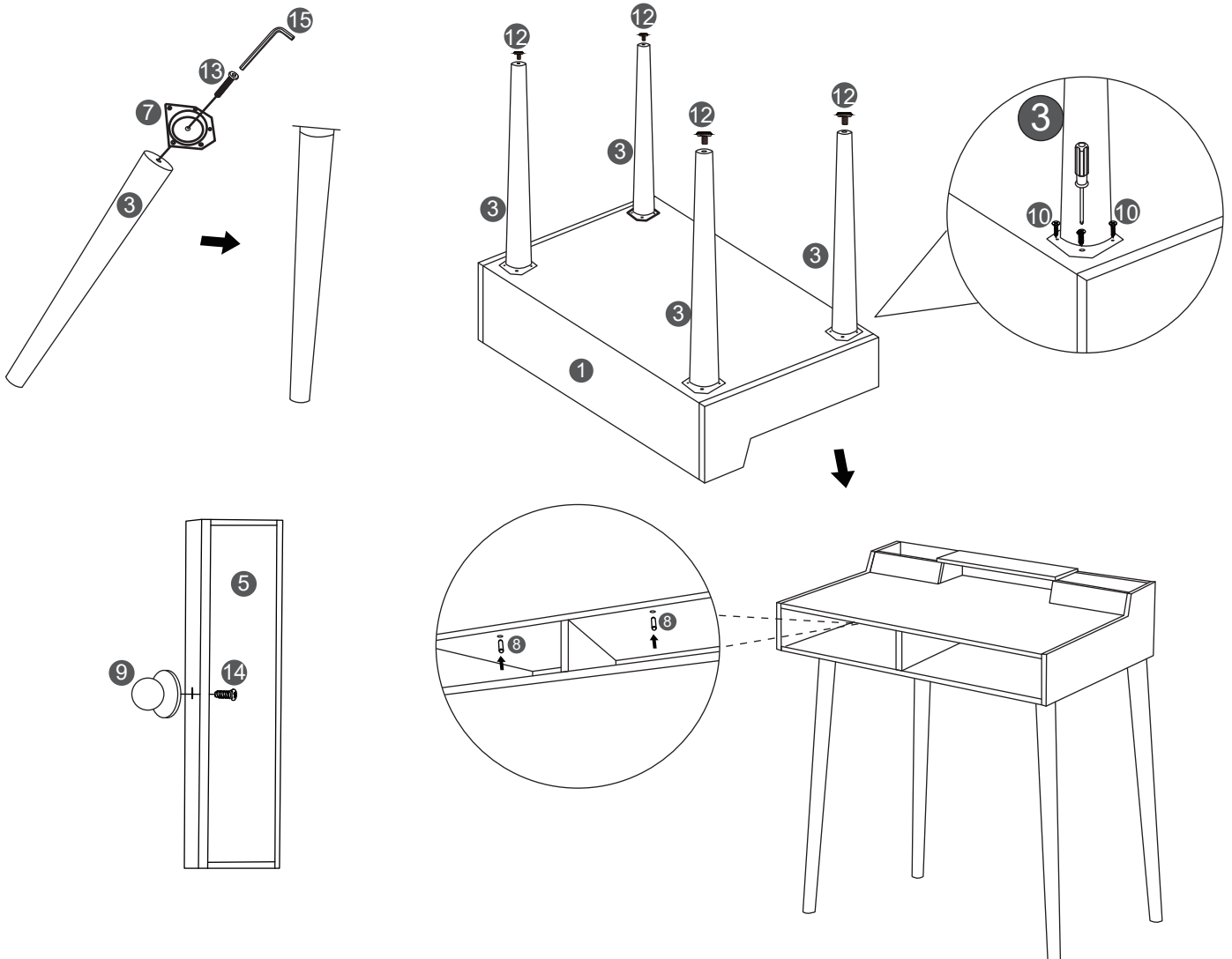
1. Avoid exposure to direct sunlight and heat sources.
2. Use mild furniture cleaner to clean the vanity.

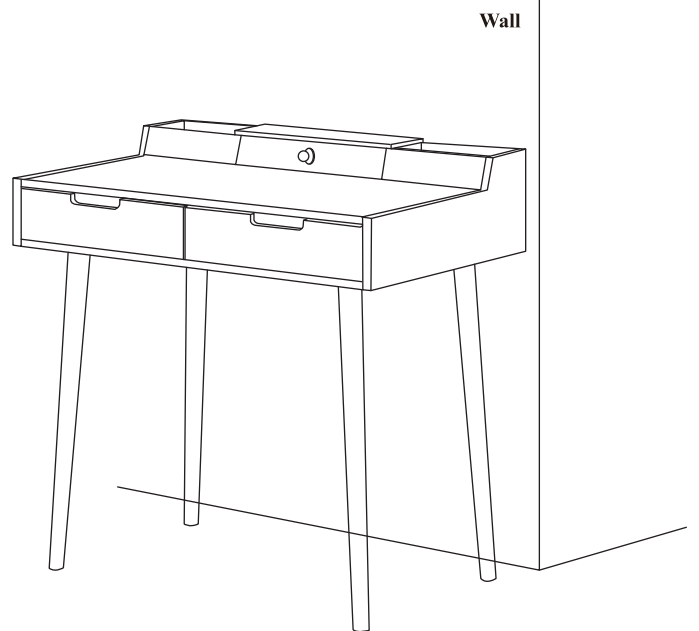
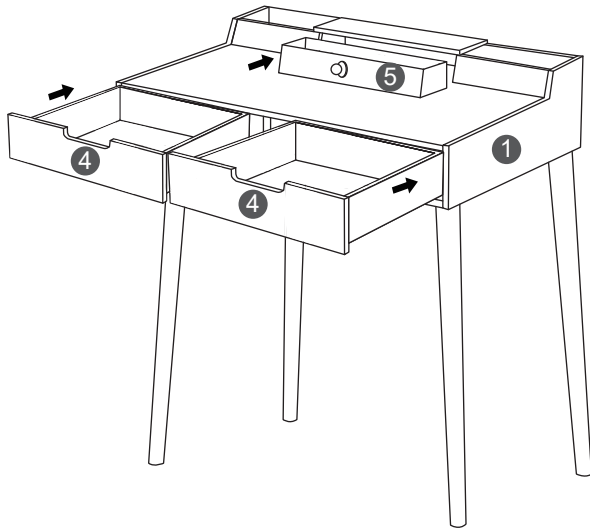
PARTS LIST

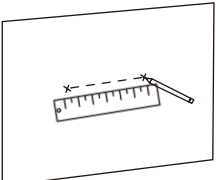
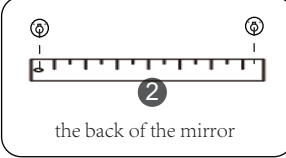


INSTALLATION

When installing the legs, the table top needs to be placed on a smooth and stable platform.

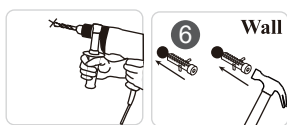




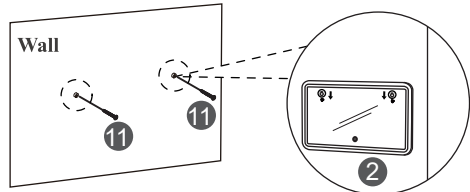



the back of the mirror

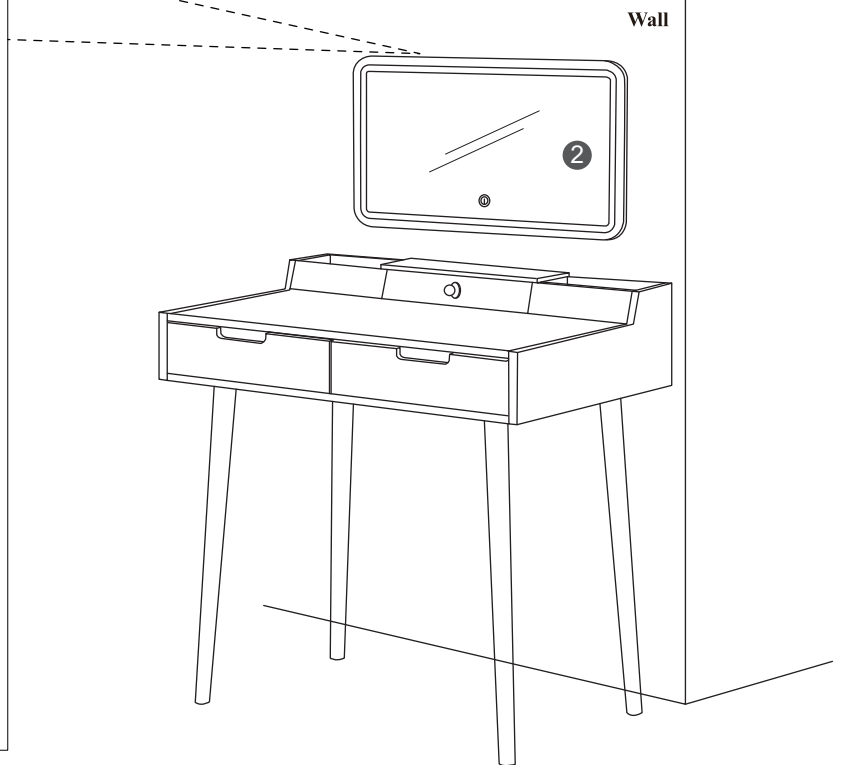
Use a ruler to measure the distance between the center of the two holes on the back of the mirror, then mark the appropriate spot on the wall.



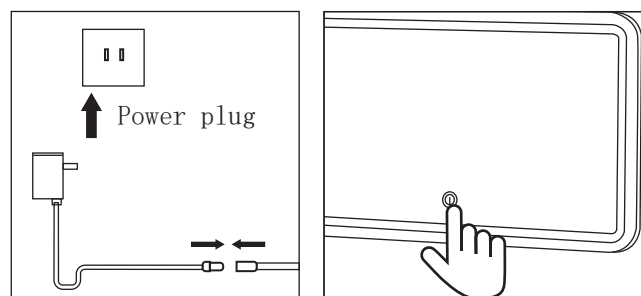
According to the 2 holes drawn, Put the rubber plug 31 into the wall.



Screw 11 into the top two holes in the wall.



INSTRUCTIONS FOR THE OPERATION OF THE STRIP LIGHT



- Touch to turn on the light and switch different colors.
- Press and hold to adjust the brightness.