

## CARE AND MAINTENANCE

Store outdoor furniture indoors or cover well when not in use.  
 Remove wooden furniture from standing water. Dust regularly with small brush or vacuum  
 Spills should be taken care of immediately before they harden or stain with a slightly dampened sponge.





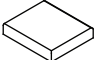





## NOTICE

- \* Please make sure that you have all parts indicated before you begin assembly of this item
- \* This item should be assembled on a soft surface to prevent scratching the finish during assembly
- \* This item may require periodic tightening

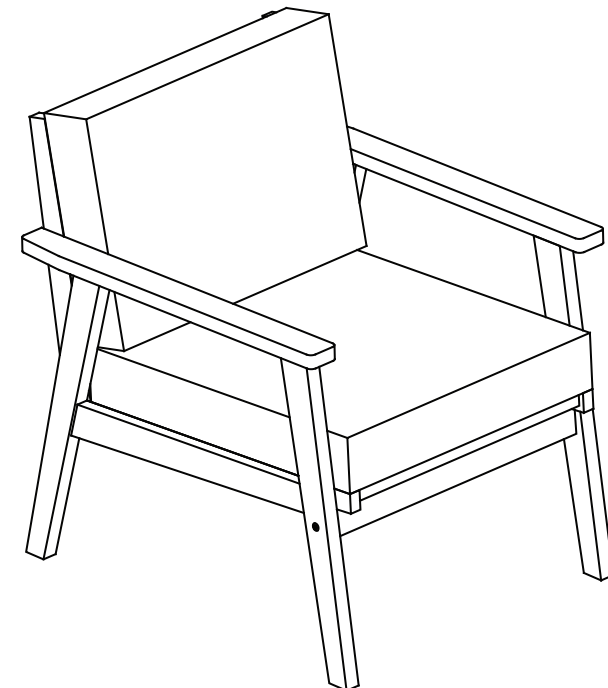
**Weight Capacity : 242 Ibs**  
**Warning : Do not stand on chair**  
**Warning : Do not over torque bolts / screws**



## Part List and Hardware List

| PIECE | DESCRIPTION  | PICTURE                                                                                      | QUANTITY |
|-------|--------------|----------------------------------------------------------------------------------------------|----------|
| A     | Leg Frame    |             | 2X       |
| B     | Back frame   |             | 1X       |
| C     | Seat Frame   |             | 1X       |
| D     | Cross Bar    |            | 1X       |
| E     | Cushion Seat |           | 1X       |
| F     | Cushion Back |           | 1X       |
| G     | Screws       | <br>M6x60 | 2X       |
| H     | Screws       | <br>M6x80 | 2X       |
| I     | Bolts        | <br>M6X35 | 6X       |
| K     | Allen key    | <br>LG4   | 1X       |

Product Dimensions: 26.7" W x 29.92" D x 30.71" H



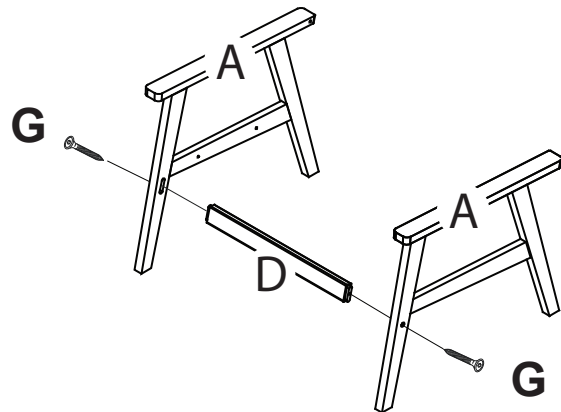
## PREPARATION

Before beginning assembly of product, make sure all parts are present. Compare parts with package contents list and hardware contents list. If any part is missing or damaged, do not attempt to assemble the product.

Estimated Assembly Time: 10 minutes.

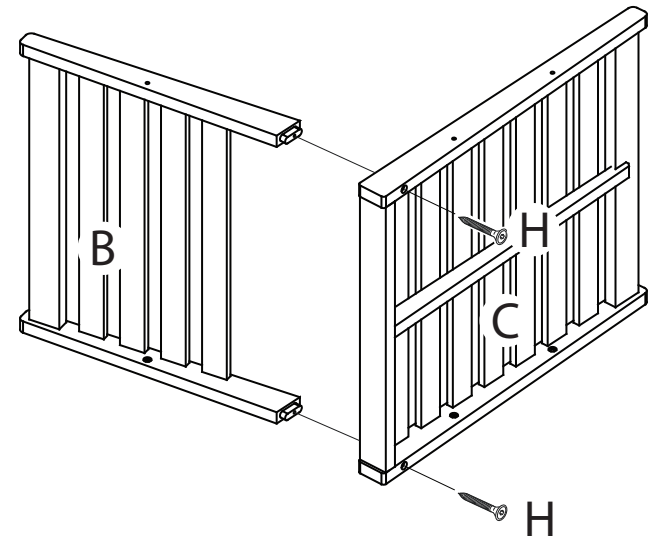
Tools Required for Assembly (included): Allen Key

1



**Step 1**  
Attach leg frame (A) to cross bar (D), use screws (G), tighten with allen key (K).

2



**Step 2**  
Tighten screws (H) with allen key (K) to attach seat frame (C) and back frame (B)

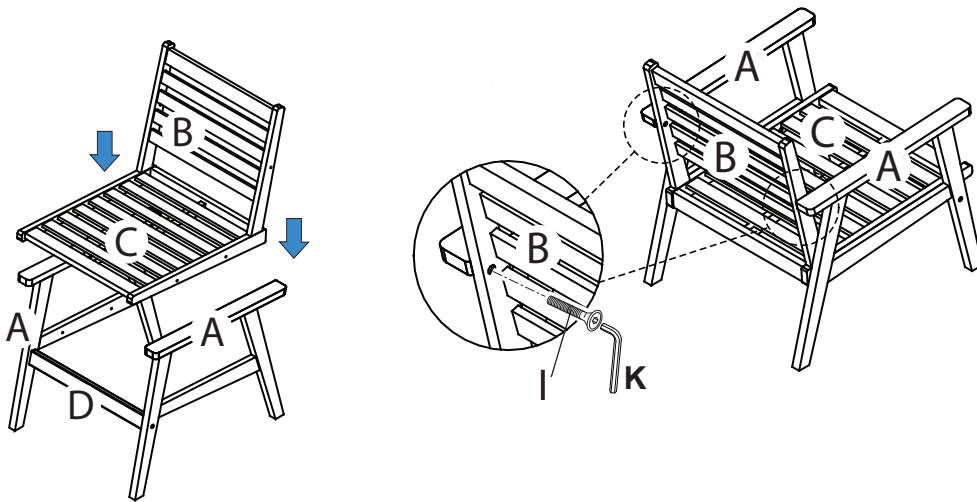
## PREPARATION

Before beginning assembly of product, make sure all parts are present. Compare parts with package contents list and hardware contents list. If any part is missing or damaged, do not attempt to assemble the product.

Estimated Assembly Time: 10 minutes.

Tools Required for Assembly (included): Allen Key

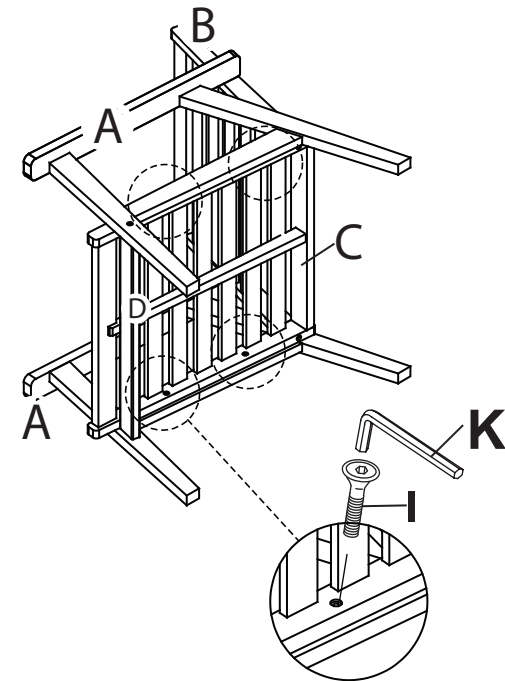
3



### Step 3

Attach leg frame (A) to back frame (B) and seat frame, use Bolt (I), tighten with allen key (K).

4



### Step 4

Tighten Bolt (I) with allen key (K) to attach seat frame (C) and Leg frame (A).

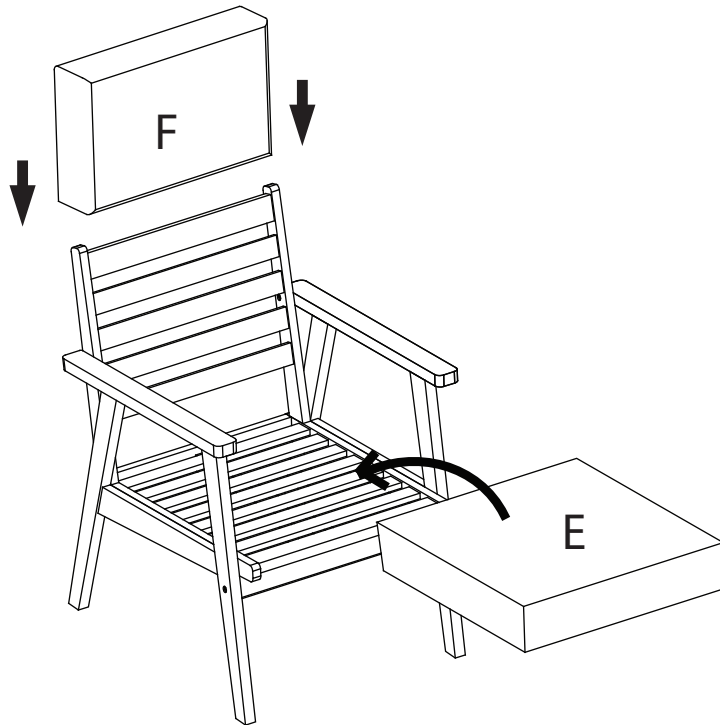
## PREPARATION

Before beginning assembly of product, make sure all parts are present. Compare parts with package contents list and hardware contents list. If any part is missing or damaged, do not attempt to assemble the product.

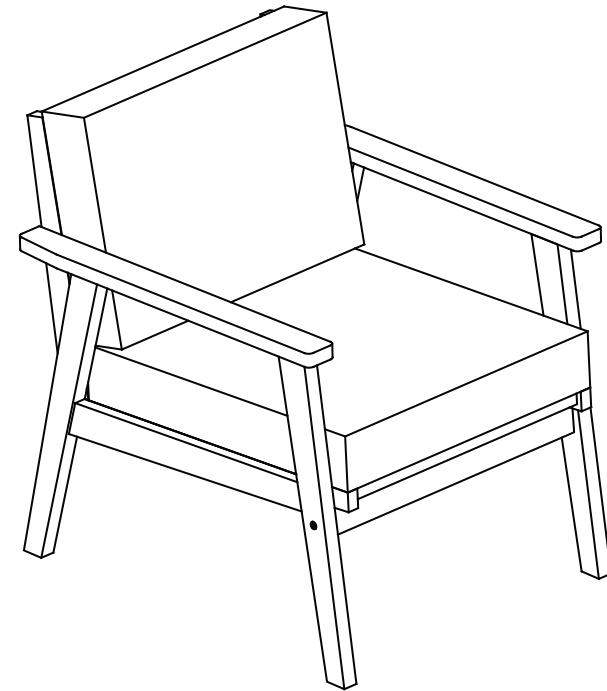
Estimated Assembly Time: 10 minutes.

Tools Required for Assembly (included): Allen Key

5



6



Step 5 Attach Ensure all screws are fully locked into position.  
Place Seat Cushion (E), Back Cushion (F) into the Chair.  
The Chair is ready to be used.

Step 6 Caution: This Chair can only be used on a flat, level surface

## CARE AND MAINTENANCE

Store outdoor furniture indoors or cover well when not in use.  
 Remove wooden furniture from standing water. Dust regularly with small brush or vacuum  
 Spills should be taken care of immediately before they harden or stain with a slightly dampened sponge.


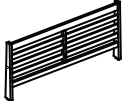


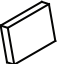





## NOTICE

- \* Please make sure that you have all parts indicated before you begin assembly of this item
- \* This item should be assembled on a soft surface to prevent scratching the finish during assembly
- \* This item may require periodic tightening

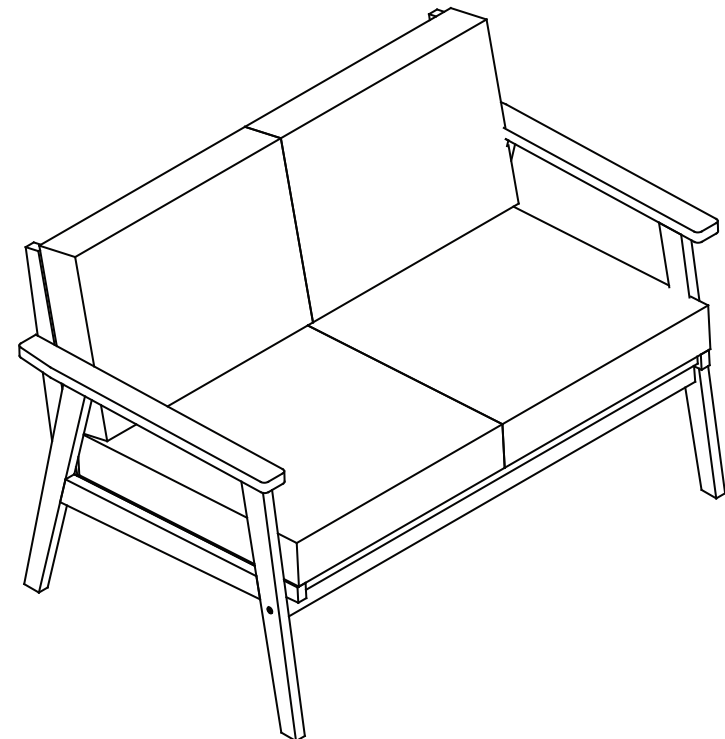
**Weight Capacity :488 Ibs**  
**Warning : Do not stand on bench**  
**Warning : Do not over torque bolts / screws**



## Part List and Hardware List

| PIECE | DESCRIPTION  | PICTURE                                                                                      | QUANTITY |
|-------|--------------|----------------------------------------------------------------------------------------------|----------|
| A     | Leg Frame    |             | 2X       |
| B     | Back frame   |             | 1X       |
| C     | Seat Frame   |             | 1X       |
| D     | Cross Bar    |           | 1X       |
| E     | Cushion Seat |           | 2X       |
| F     | Cushion Back |           | 2X       |
| G     | Screw        | <br>M6x60 | 2X       |
| H     | Screw        | <br>M6x80 | 2X       |
| I     | Bolt         | <br>M6x35 | 6X       |
| K     | Allen key    | <br>LG4   | 1X       |

Product Dimensions:48.82" W x 29.92" D x 30.71" H



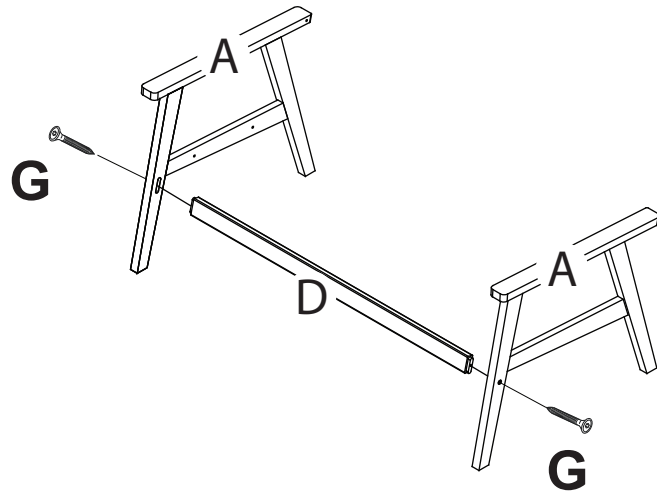
## PREPARATION

Before beginning assembly of product, make sure all parts are present. Compare parts with package contents list and hardware contents list. If any part is missing or damaged, do not attempt to assemble the product.

Estimated Assembly Time: 10 minutes.

Tools Required for Assembly (included): Allen Key

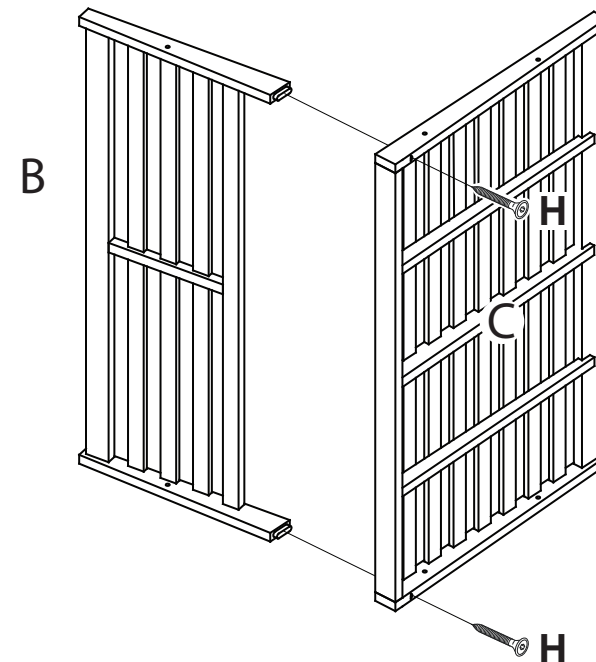
1



### Step 1

Attach leg frame (A) to cross bar (D) ,use screws (G),tighten with allen key (K).

2



### Step 2

Tighten screws (H) with allen key (K) to attach seat frame (C) and back frame (B)

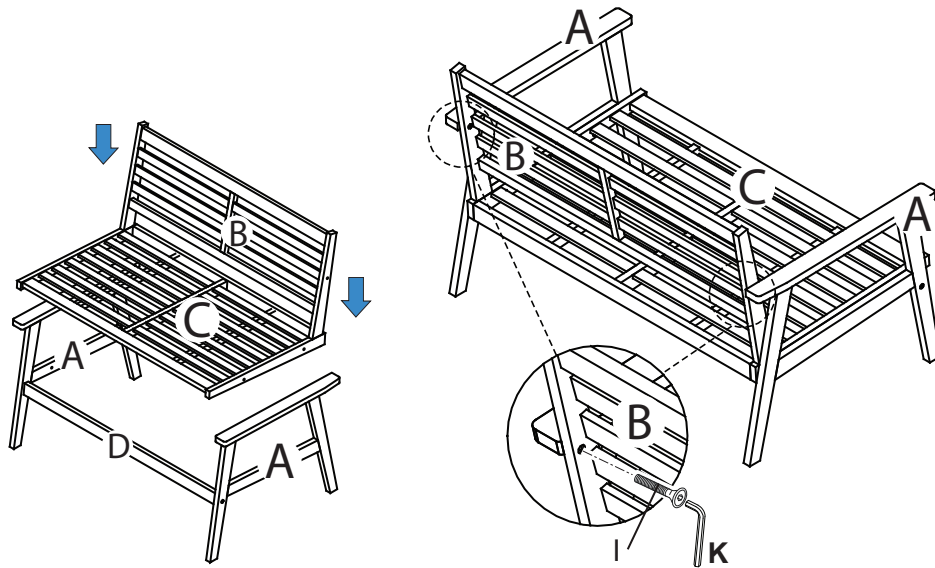
## PREPARATION

Before beginning assembly of product, make sure all parts are present. Compare parts with package contents list and hardware contents list. If any part is missing or damaged, do not attempt to assemble the product.

Estimated Assembly Time: 10 minutes.

Tools Required for Assembly (included): Allen Key

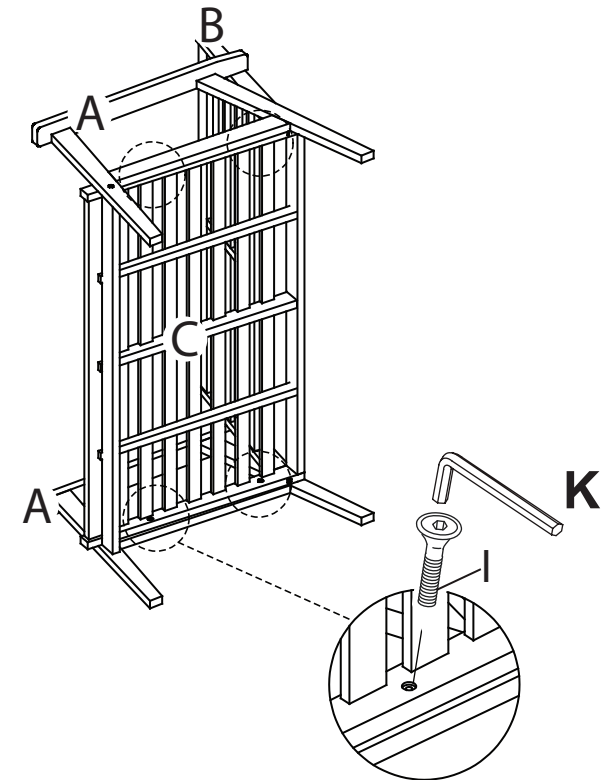
3



### Step 3

Attach leg frame (A) to back frame (B) and seat frame, use Bolt (I), tighten with allen key (K).

4



### Step 4

Tighten Bolt (I) with allen key (K) to attach seat frame (C) and Leg frame (A).

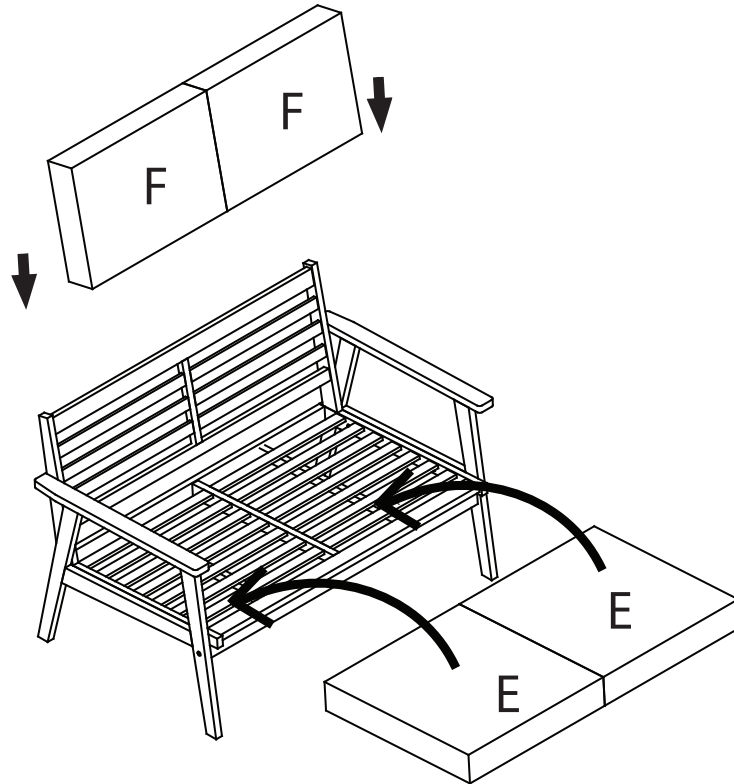
## PREPARATION

Before beginning assembly of product, make sure all parts are present. Compare parts with package contents list and hardware contents list. If any part is missing or damaged, do not attempt to assemble the product.

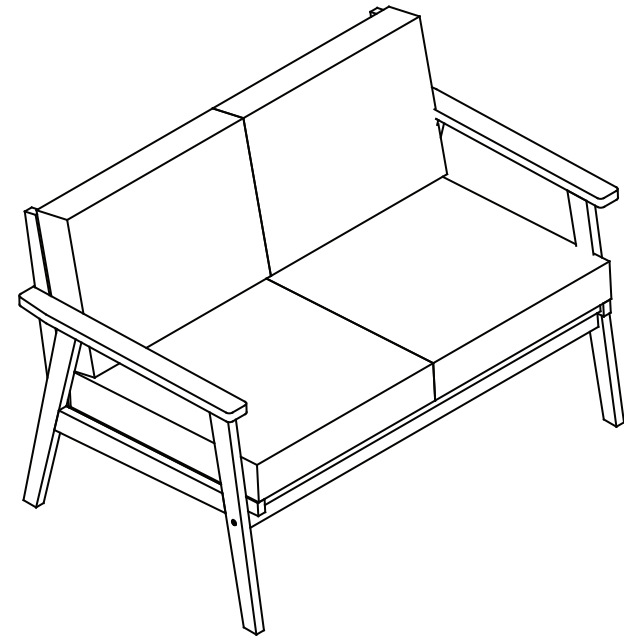
Estimated Assembly Time: 10 minutes.

Tools Required for Assembly (included): Allen Key

5



6



Step 5

Attach Ensure all screws are fully locked into position.  
Place Seat Cushion (E), Back Cushion (F) into the Chair.  
The Chair is ready to be used.

Step 6 Caution: This Chair can only be used on a flat, level surface

## CARE AND MAINTENANCE

Store outdoor furniture indoors or cover well when not in use.

Remove wooden furniture from standing water. Dust regularly with small brush or vacuum

Spills should be taken care of immediately before they harden or stain with a slightly dampened sponge.

## NOTICE

- \* Please make sure that you have all parts indicated before you begin assembly of this item
- \* This item should be assembled on a soft surface to prevent scratching the finish during assembly
- \* This item may require periodic tightening

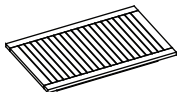




**Weight Capacity : 44 Ibs**

**Warning : Do not stand on table**

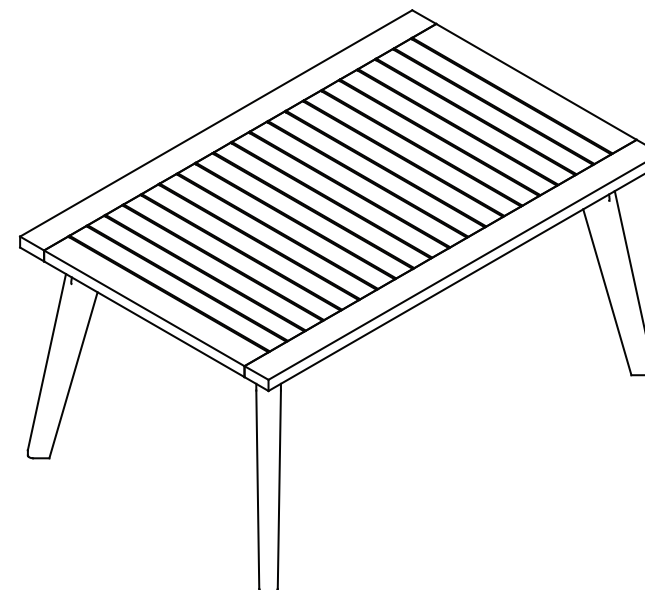
**Warning : Do not over torque bolts / screws**



## Part List and Hardware List

| PIECE | DESCRIPTION | PICTURE                                                                                    | QUANTITY |
|-------|-------------|--------------------------------------------------------------------------------------------|----------|
| A     | Table Top   |           | 1X       |
| B     | Table leg   |           | 4X       |
| C     | Bolt        | <br>M6X65 | 8X       |
| D     | Flat washer |          | 8X       |
| E     | Allen key   | <br>LG4 | 1X       |

Product Dimensions: 35.43" W x 22.44" D x 16.93" H



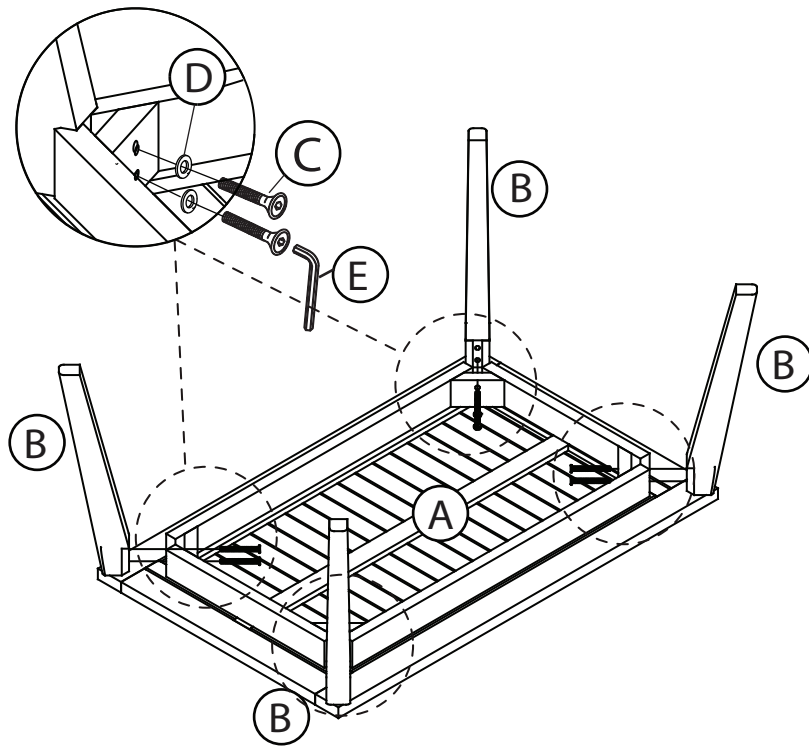
## PREPARATION

Before beginning assembly of product, make sure all parts are present. Compare parts with package contents list and hardware contents list. If any part is missing or damaged, do not attempt to assemble the product.

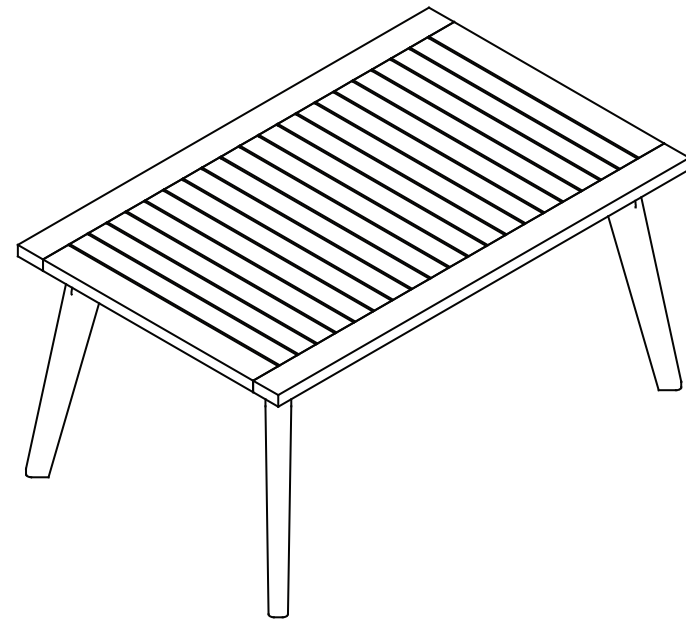
Estimated Assembly Time: 10 minutes.

Tools Required for Assembly (included): Allen Key

1



2



Step 1  
Attach leg frame (B) to Table top (A), use Bolts (C), and Flat washer (D)  
tighten with allen key (E).

Step 2 Caution: This Table can only be used on a flat, level surface