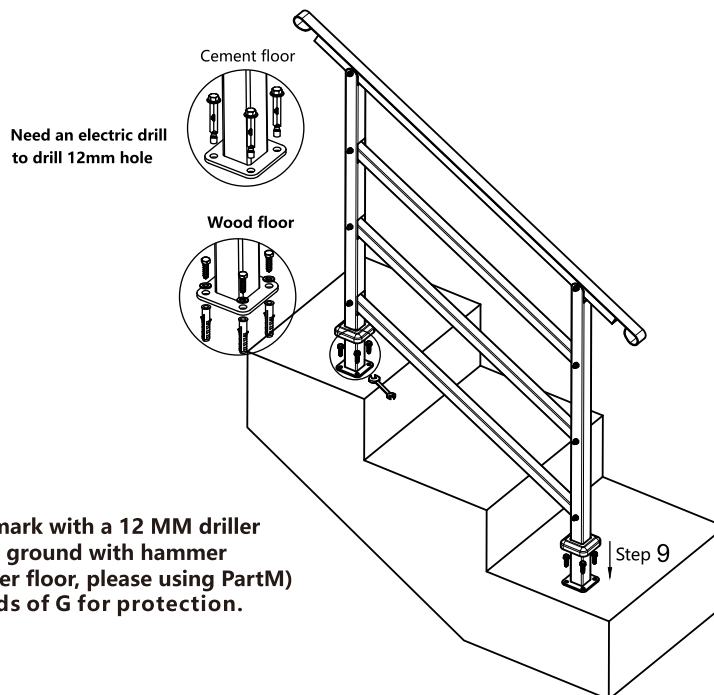
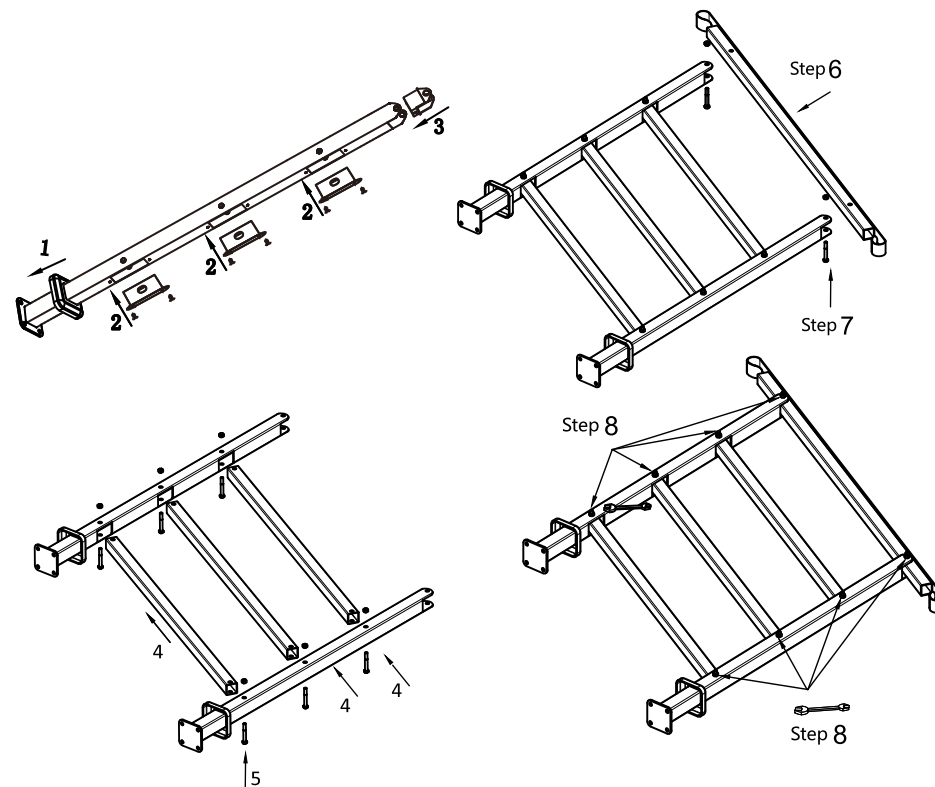


# USER MANUAL

|             |              |              |             |
|-------------|--------------|--------------|-------------|
|             |              |              |             |
| <b>A</b>    | <b>B</b>     | <b>C</b>     |             |
| <b>2PCS</b> | <b>1PC</b>   | <b>3PCS</b>  |             |
|             |              |              |             |
| <b>D</b>    | <b>E</b>     | <b>F</b>     | <b>G</b>    |
| <b>2PCS</b> | <b>2PCS</b>  | <b>6PCS</b>  | <b>8PCS</b> |
|             |              |              |             |
| <b>M/N</b>  | <b>I</b>     | <b>J</b>     | <b>K</b>    |
| <b>8PCS</b> | <b>12PCS</b> | <b>16PCS</b> | <b>1PC</b>  |

- Please put all Parts on the ground.
- Put Part #D#E#F into Part#A with Part#I
  - Put Part #C into holes of Part #A
  - Connect Part #B and Part #A with Part#G
  - Connect Part #C and Part #A with Part#G



**Tips: Avoiding mistakes, when processing the first and second step, we suggest do not connect parts tightly.**

- Place the handrail on suitable stairs
- Screw Part G by Part K
- Mark hole sites on stairs tracing four holes of Part A
- Leave the handrail alone and drill down according to the mark with a 12 MM driller  
Align the handrail and holes, Knock nails (part M) into the ground with hammer  
(Cement floor and marble floor, please using Part N; Timber floor, please using PartM)
- After the assembly is completed, put the J on both ends of G for protection.

