



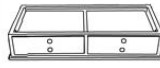




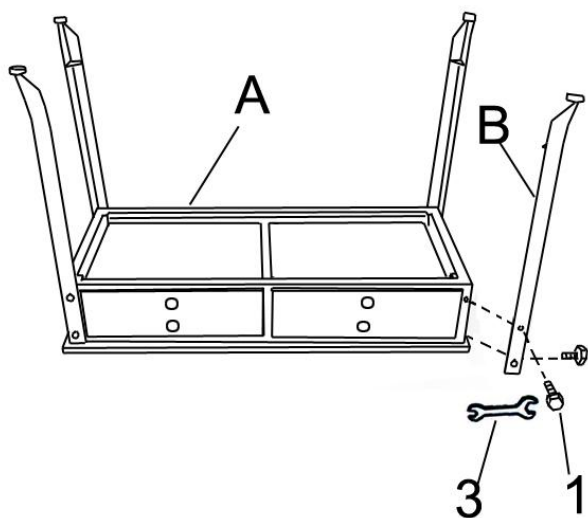
ASSEMBLY INSTRUCTIONS

Parts required

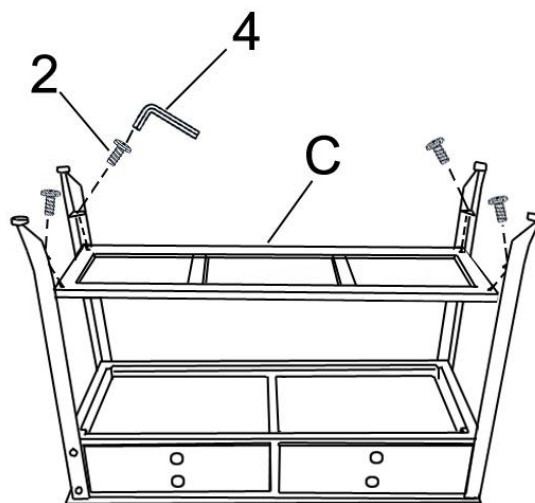
1		Φ8*16MML	8pcs
2		Φ8*16MML	4pcs
3			1pc
4			1pc

A			1pc
B			4pcs
C			1pc

1.



2.



3.

