

ASSEMBLY INSTRUCTIONS

ITEM NO: D1881



Read instruction carefully prior to assembly.

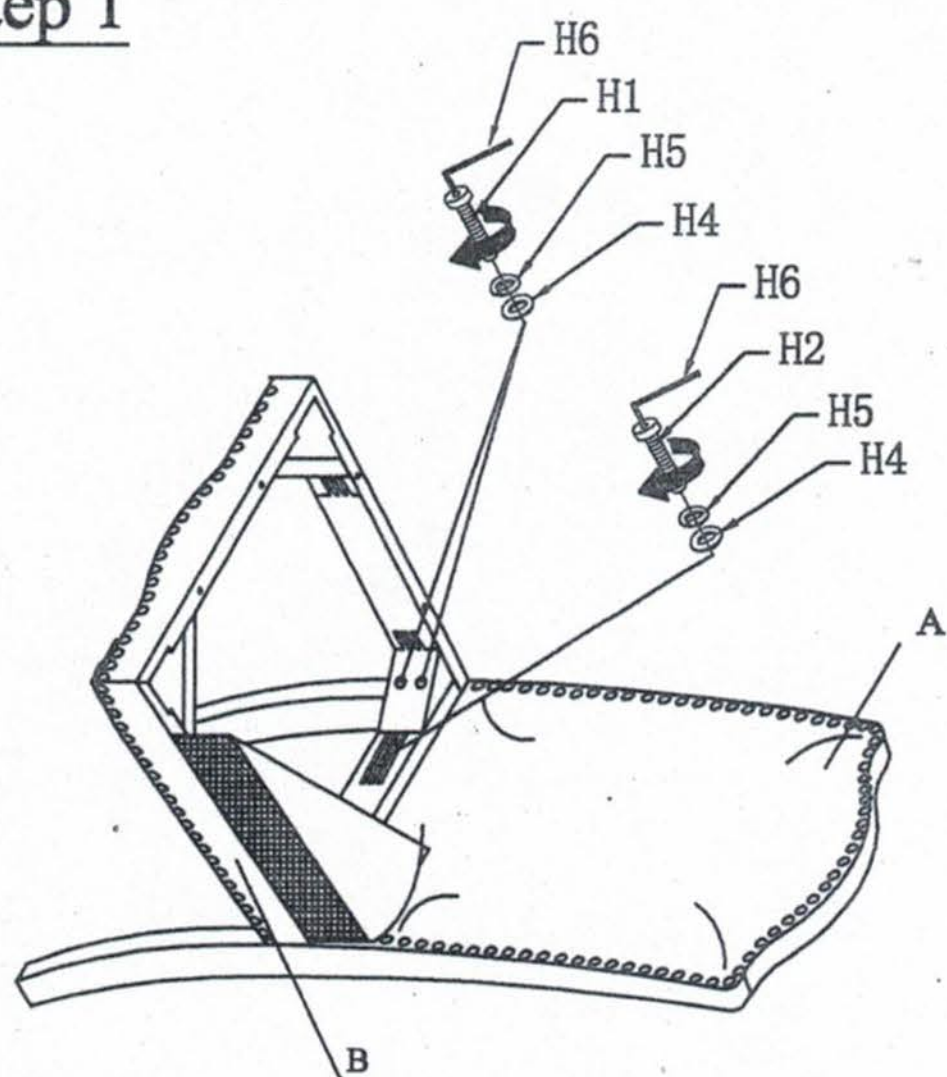
Thank you for purchasing this quality product. Check carefully for small parts which may come loose during shipment. Remove all components from pack and place top down on soft surface such as carpet or cloth to prevent scratching the finish. Identify and count all parts as specified below.

It is recommended to use one person during the assembly process.

| HARDWARE LIST: | | | | |
|----------------|-------------|--------|---------------|--------|
| No. | Description | Sketch | Size | Qty |
| H1 | Allen Bolt | | Ø1/4 x 75mm | 4 PCS |
| H2 | Allen Bolt | | Ø1/4 x 38mm | 2 PCS |
| H3 | Allen Bolt | | Ø1/4 x 50mm | 4 PCS |
| H4 | Flat Washer | | Ø5/16 x 18 mm | 10 PCS |
| H5 | Lock Washer | | Ø5/16 | 10 PCS |
| H6 | Allen Key | | 4 mm | 1 PCS |

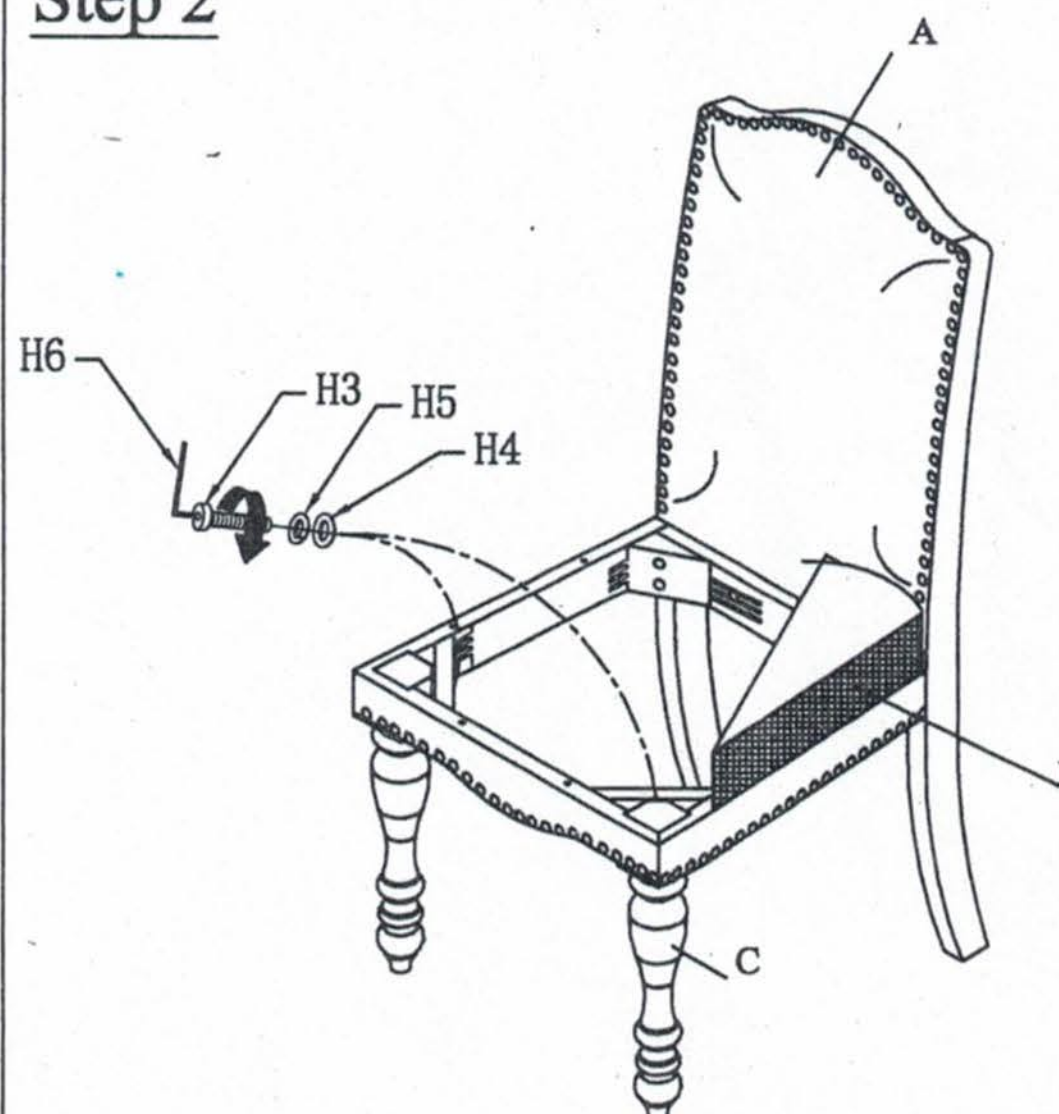
| PARTS LIST: | | | |
|-------------|--------------|--------|----------|
| No. | Description | Sketch | Quantity |
| A | Chair Back | | 1 PC |
| B | Seat cushion | | 1 PC |
| C | Front Leg | | 2 PCS |

Step 1



Step 1: Place the Chair Back (A) on the floor. Attach Seat Cushion (B) to the Chair Back (A) by using Flat Washer (4), Lock Washer (5), Allen Bolt (1) into the holes at the corner block of the Seat Cushion (B). Insert Flat Washer (4), Lock Washer (5), Allen Bolt (2) into the rear bar of the seat frame. Secure by Allen Key (6).

Step 2



Step 2: Attach Front Leg (C) to the Seat Cushion (B) by inserting Flat Washer (4), Lock Washer (5), Allen Bolt (3) and secure with Allen Key (6) Assembly product is now completed.