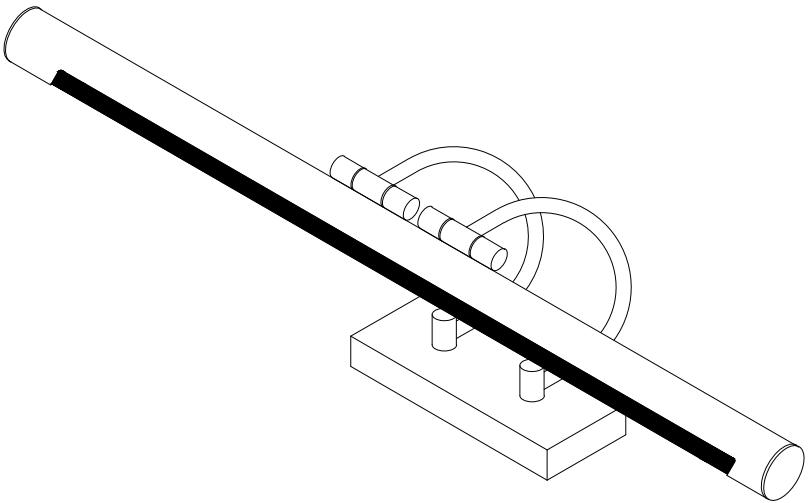
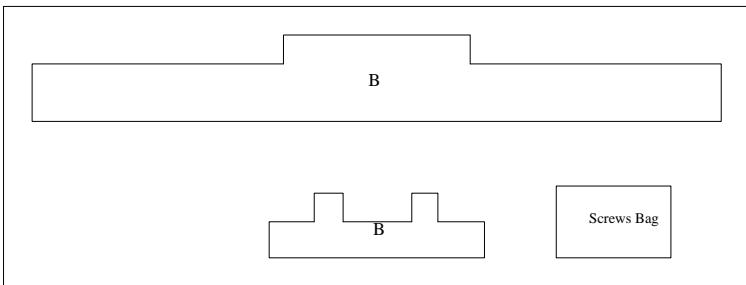
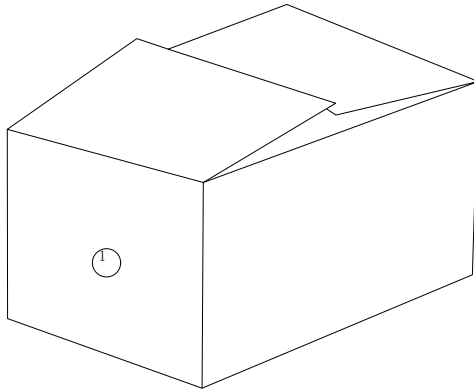


Installation



Package Display:



Before Installation:

- ★ Read all instructions carefully.
- ★ Keep this manual for future reference.
- ★ Separate and list all parts and hardware.
- ★ Read each step carefully and follow the correct installation sequence.

Please contact us with any questions.

Wishing you a pleasant day.

★ To prevent losing parts during assembly, we recommend keeping the lamp stationary until assembly is complete. Always place the product on a flat, firm, and stable surface.

★ Keep all small parts and packaging materials away from infants and children, as they may cause serious injury.

★ Product Specifications:

Light Fixture: LED Strip Wattage: 3W (per strip) Color Temperature: 3000K

Part List



4pc
s



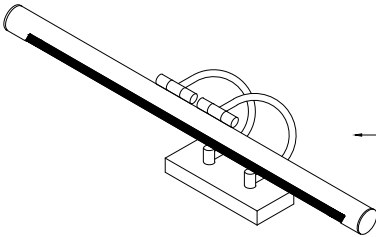
4pc
s



3pc
s



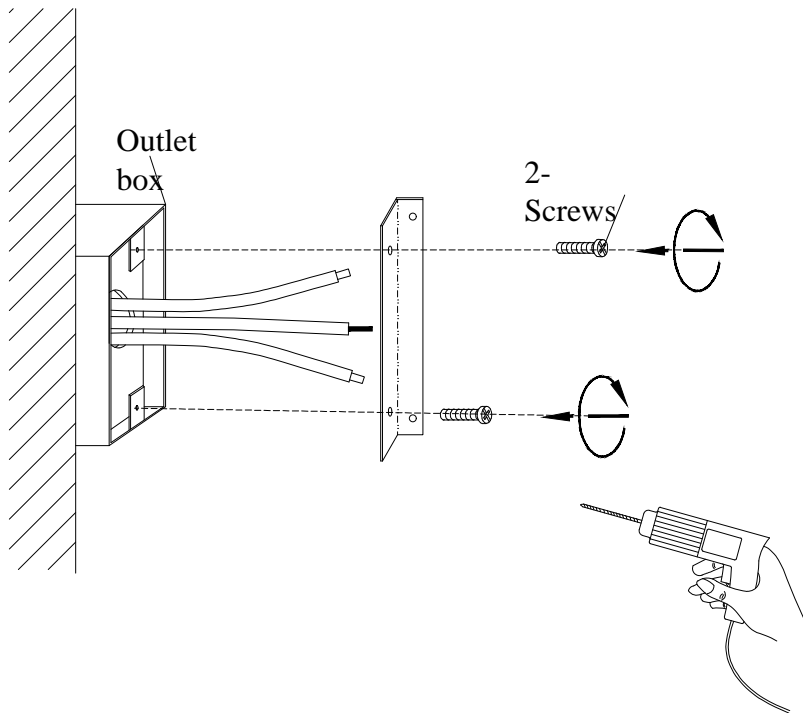
← A. Main Mounting
Plate - 1pc



← B. Main Light Lamp
Shape - 1pc

① Mounting the panel and power supply assembly:

- (1) Locate the light fixture from the part list.
- (2) Remove the mounting plate and connect it to the wall.



② Lamp
Assembly:

1. Connect the main power line to the main lighting line and secure the ceiling mount.
2. Adjust the lighting angle.
3. Installation complete.

