

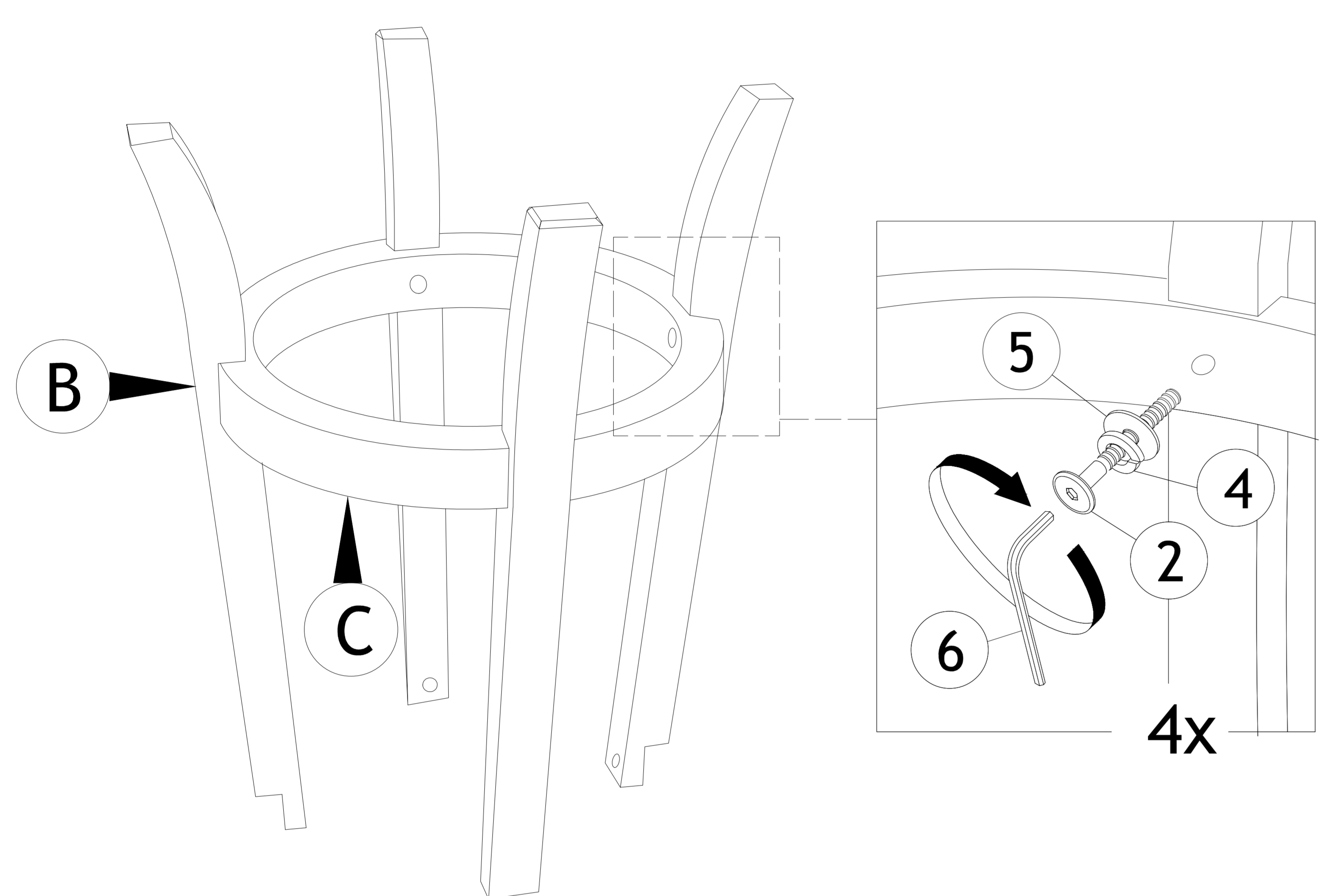
# ASSEMBLY INSTRUCTIONS

Read this instruction carefully. Refer hardware and furniture parts list for guidance. Be sure all parts are complete, before assembling. Place all wooden furniture part on a clean and flat soft surface to prevent scratched. Refer steps provided as assembling guide.

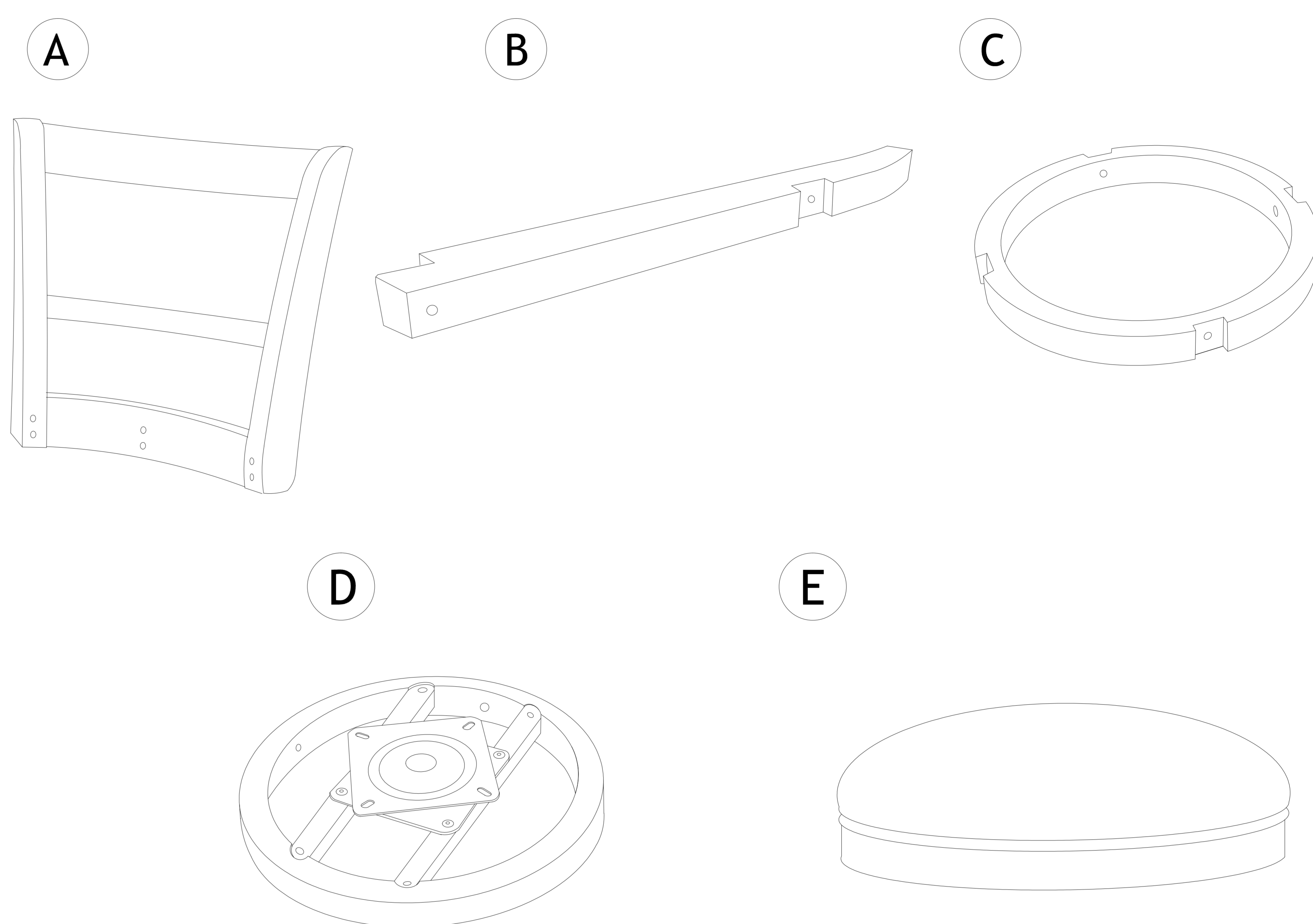
PART LIST		
ITEM	DESCRIPTION	QTY
A	Backrest	1 PC
B	Leg	4 PCS
C	Footrest	1 PC
D	Apron	1 PC
E	Cushion with Apron	1 PC

HARDWARE LIST		
ITEM	DESCRIPTION	QTY
1	JCBC Screw M6 x 25mm	4 PCS
2	JCBC Screw M6 x 40mm	8 PCS
3	JCBC Screw M6 x 45mm	6 PCS
4	Spring Washer M6 x 13mm	14 PCS
5	Flat Washer M6 x 16.5mm	14 PCS
6	Allen Key M4 x 110	1 PC

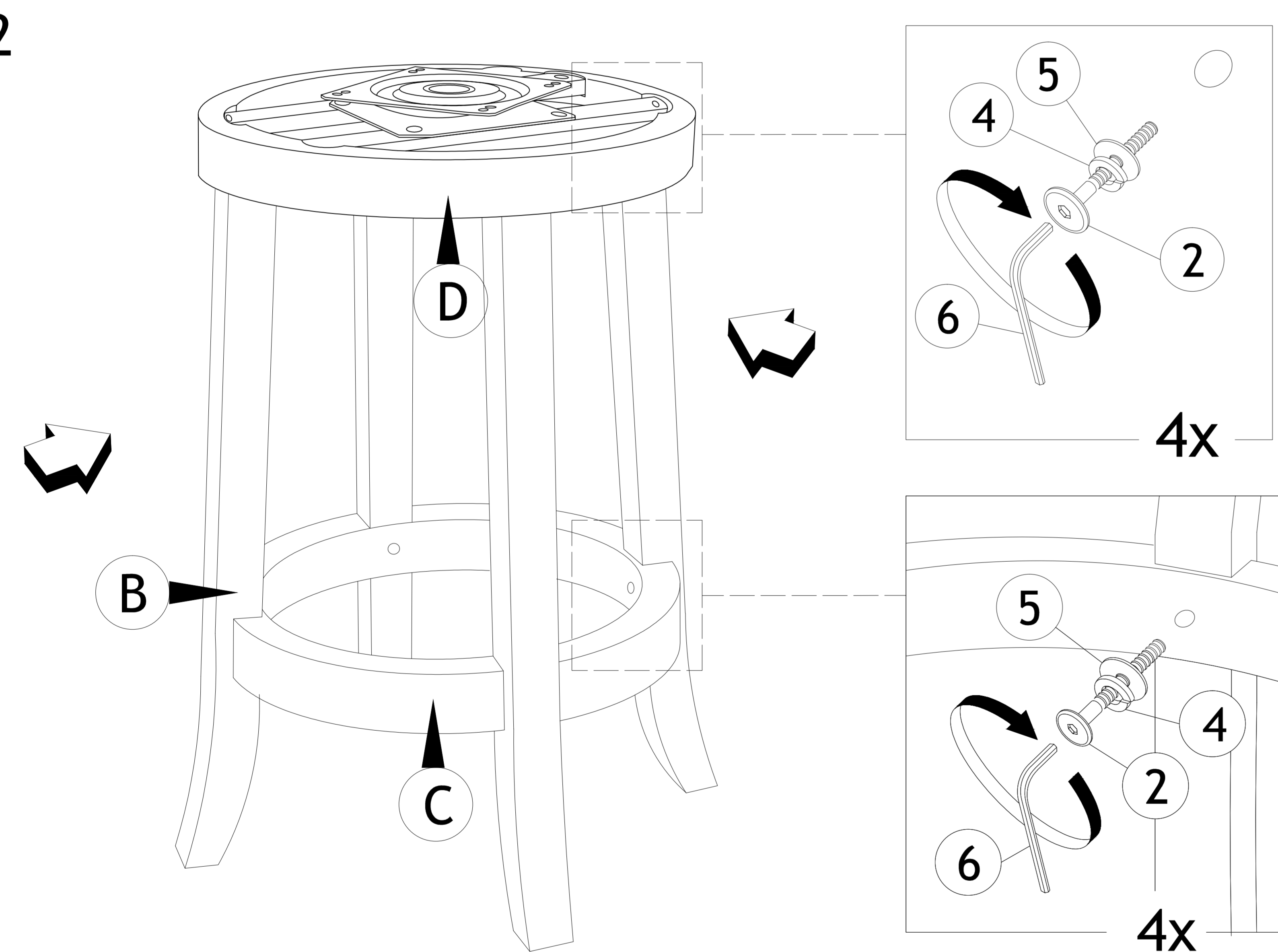
## STEP 1



Attach part (B) with part (C). Insert each individual set of hardware as per picture shown. Do not tighten any hardware completely.

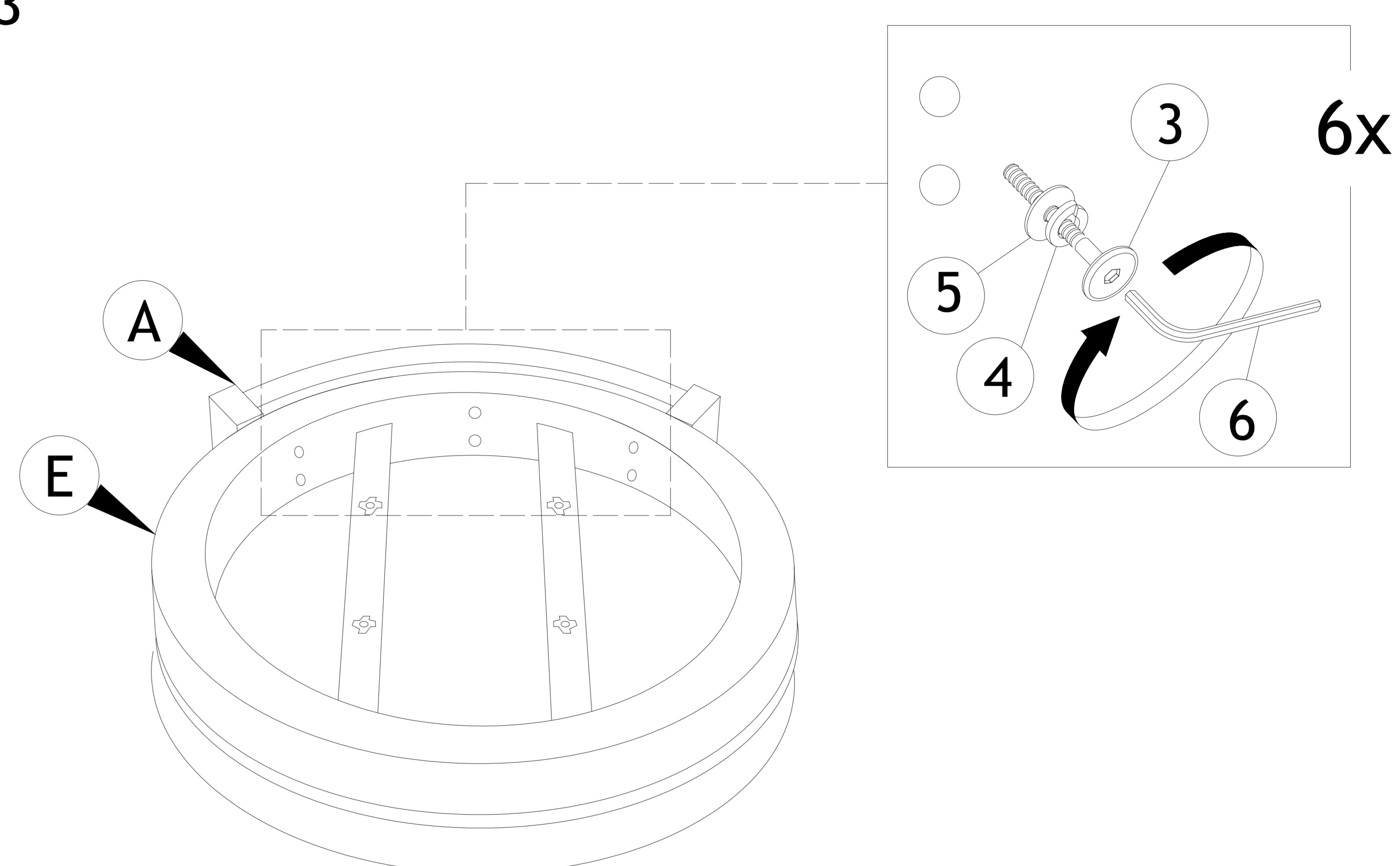


## STEP 2



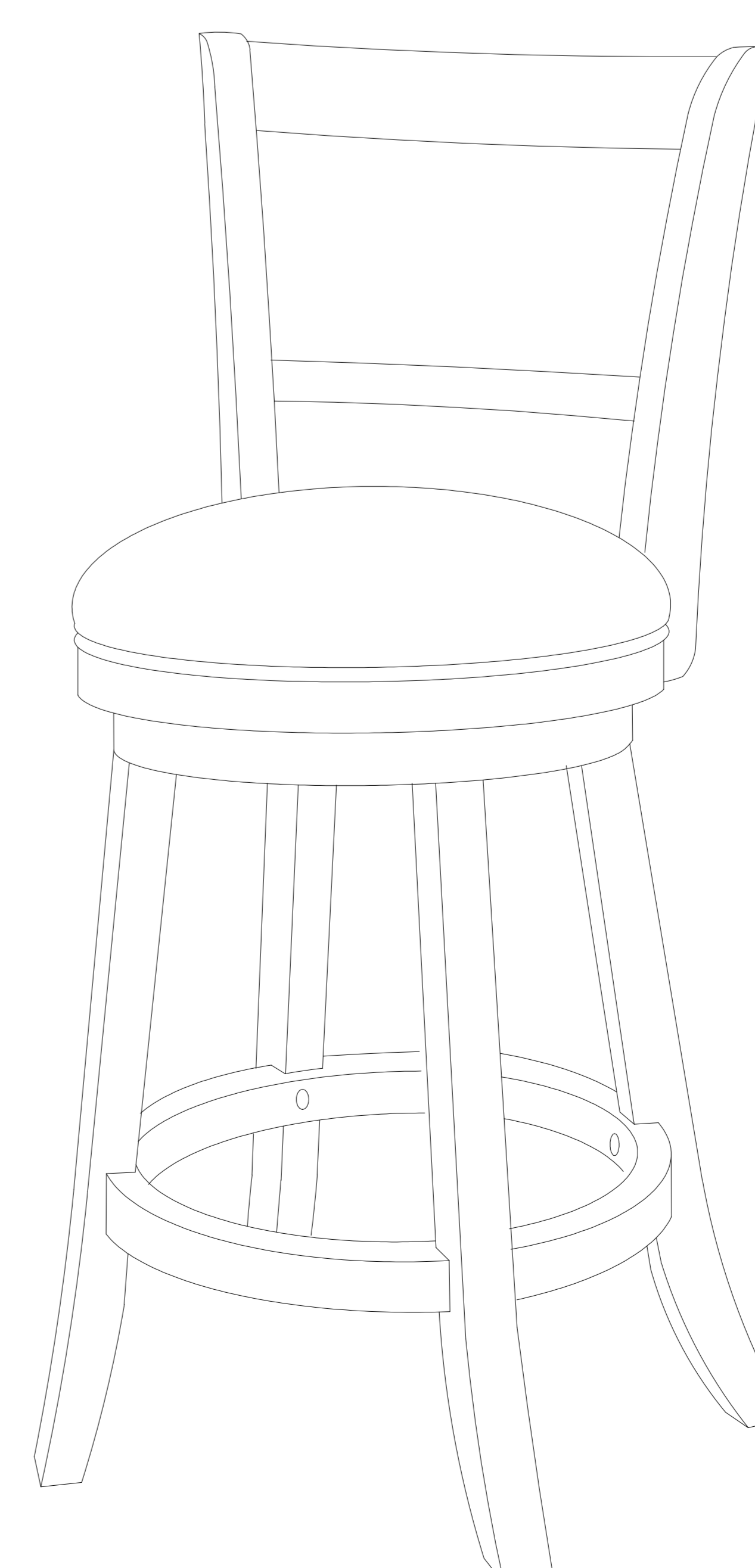
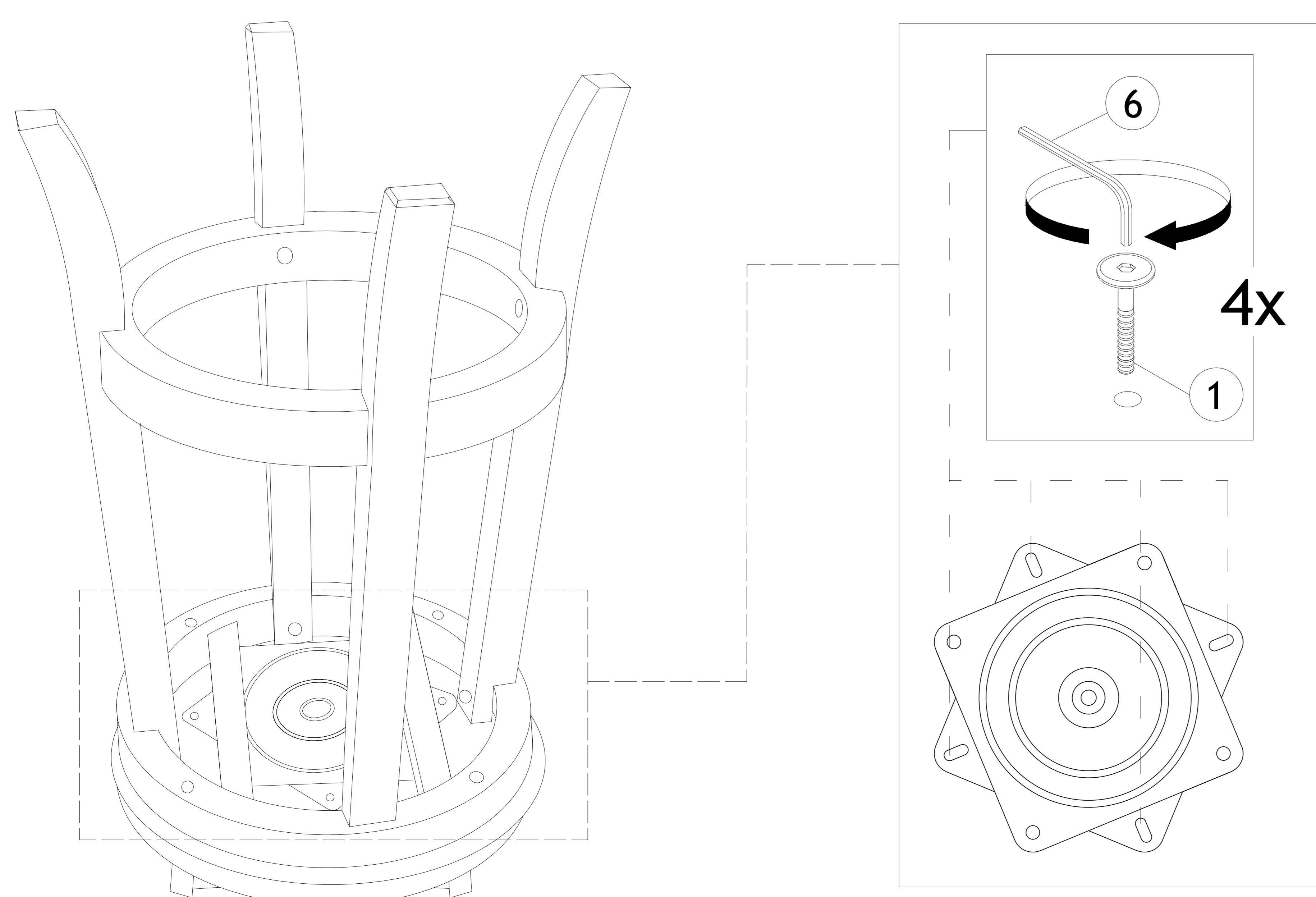
Attach part (B) with part (D) and part (C). Insert each individual hardware as per picture shown. Tighten part (B) with part (D) first, then tighten part (B) with part (C) completely.

## STEP 3



Insert 6 sets hardware first, then tighten part (A) with part (E) after alignment is done.

## STEP 4



COMPLETE ASSEMBLY