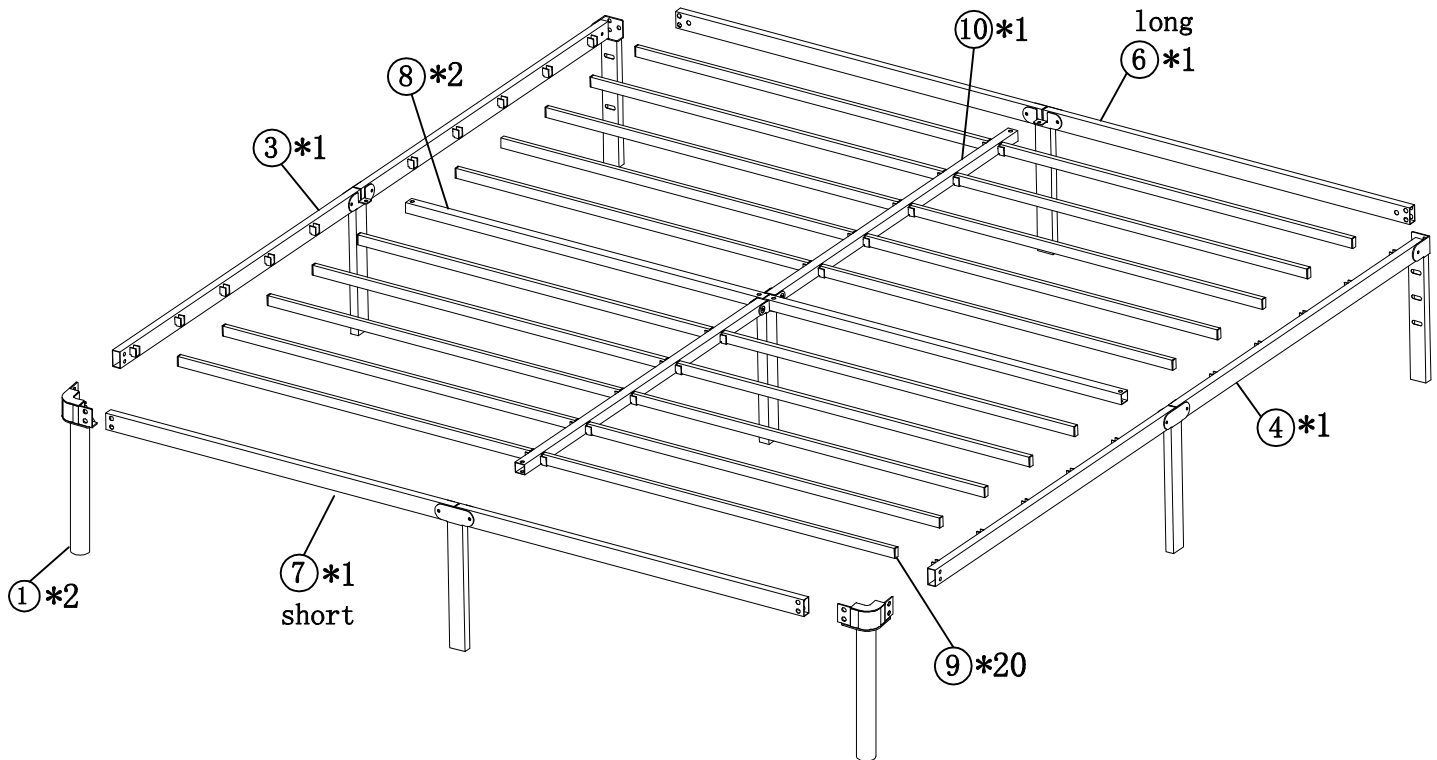
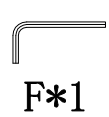
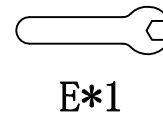
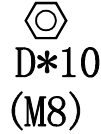
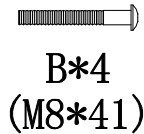
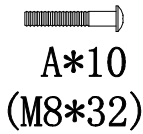
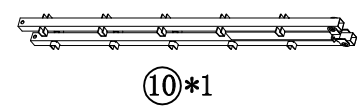
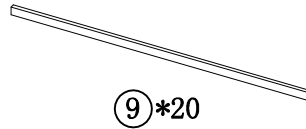
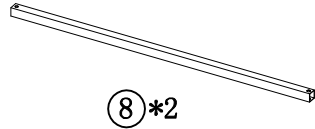
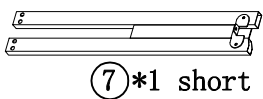
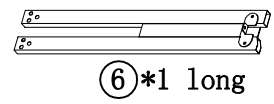
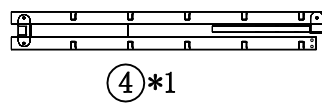
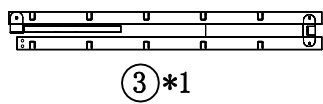
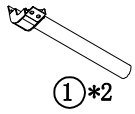


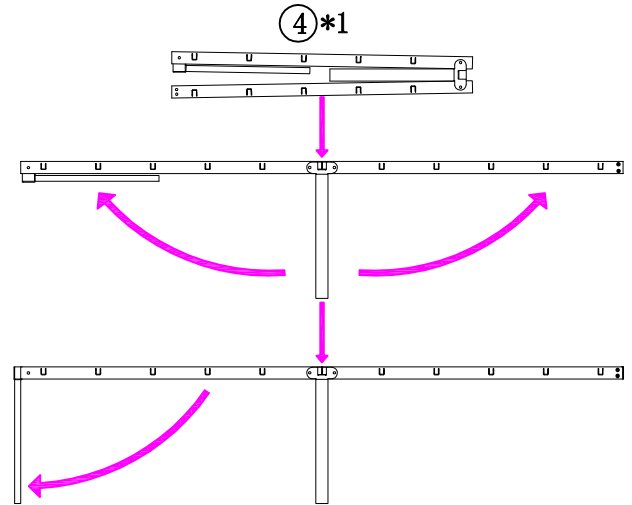
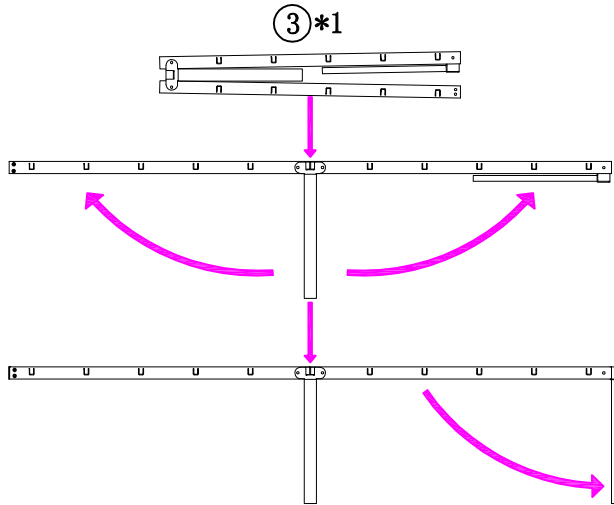
# Platform Bed Set-up Instruction

If you have any questions about the product, please don't hesitate to contact us. You can reach us through your order. Thanks for your support!

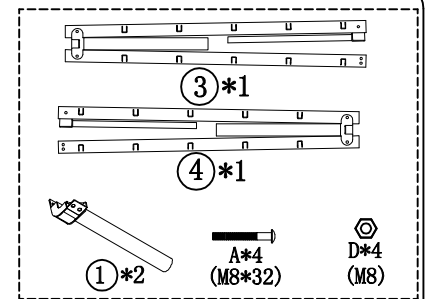
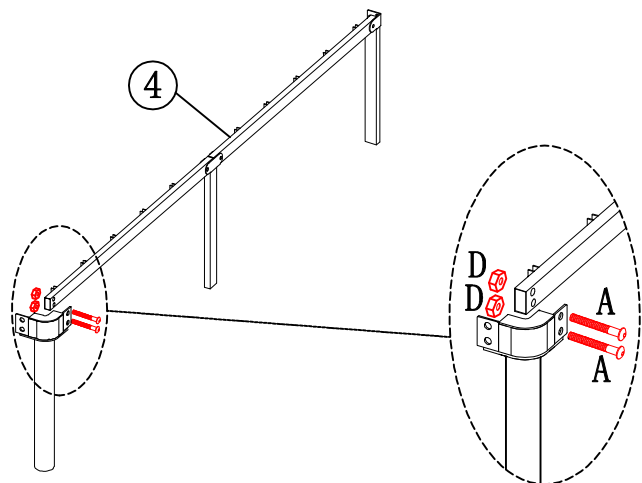
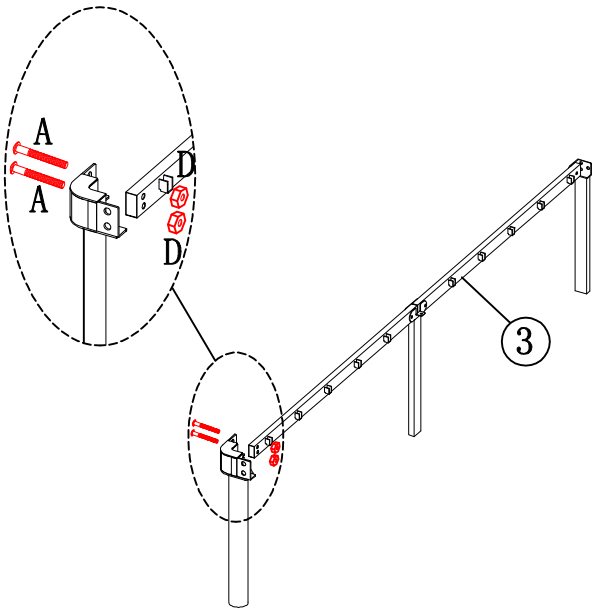


Size: Full/Queen/King/Cal King

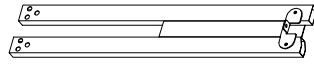
# Step1



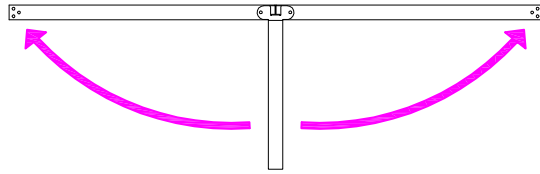
# Step2



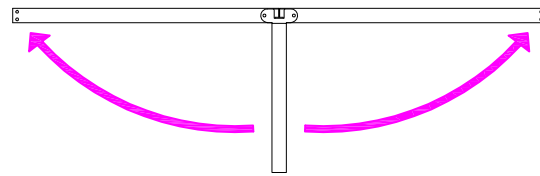
# Step3



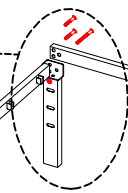
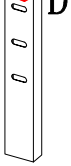
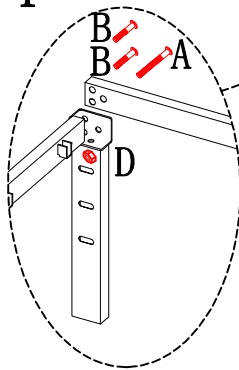
⑥\*1 long



⑦\*1 short

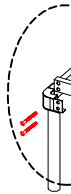


# Step4

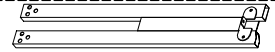
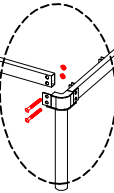


long

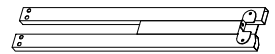
⑥



⑦ short



⑥\*1 long

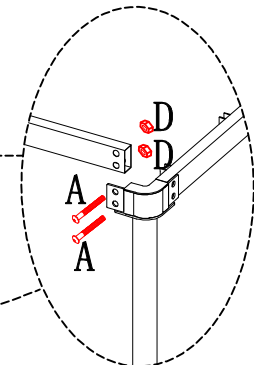


⑦\*1 short

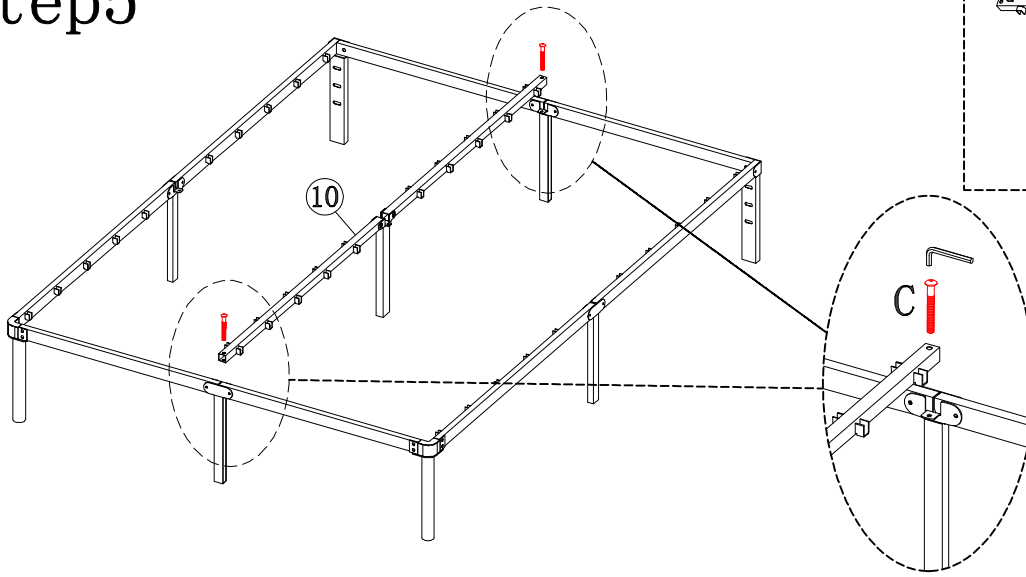
A\*6  
(M8\*32)

B\*4  
(M8\*41)

D\*6  
(M8)

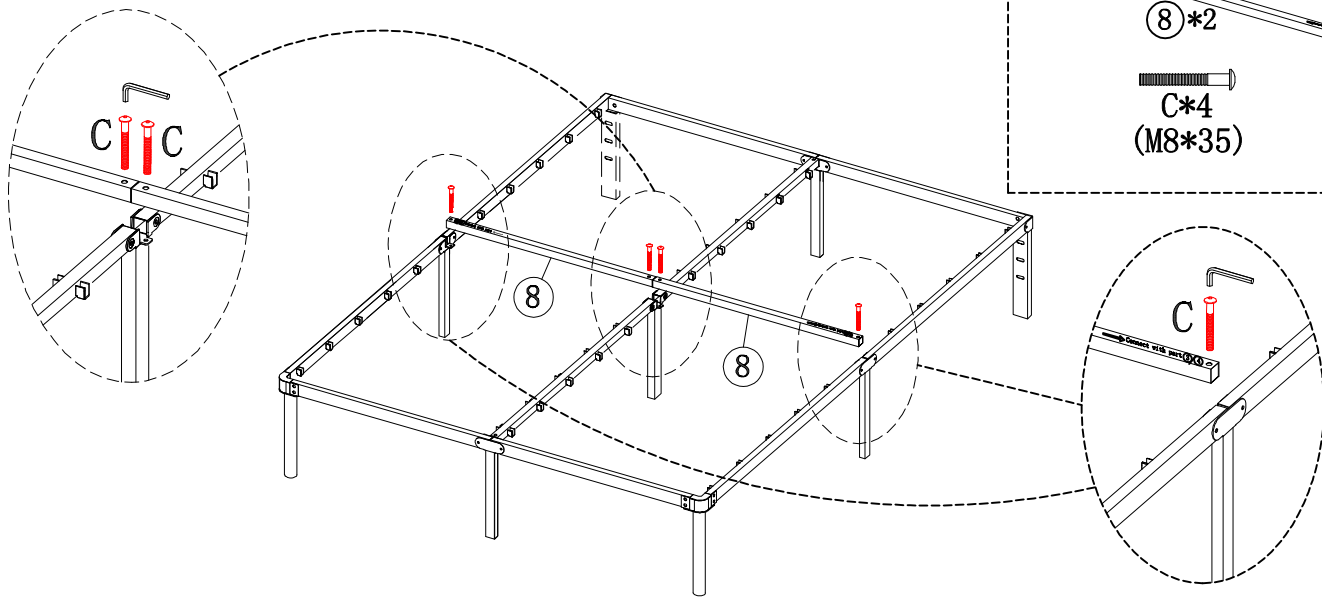


# Step5



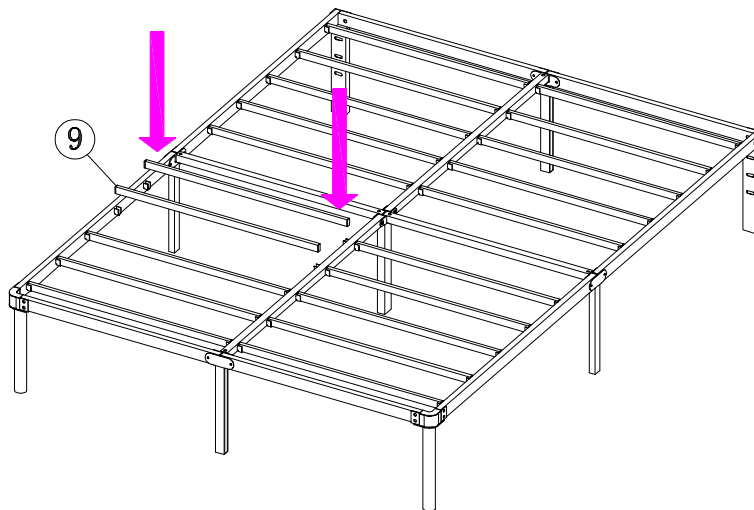
- (10)\*1
- C\*2 (M8\*35)

# Step6



- (8)\*2
- C\*4 (M8\*35)

# Step7



- (9)\*20

In the last step, please make sure all the screws are tightened.