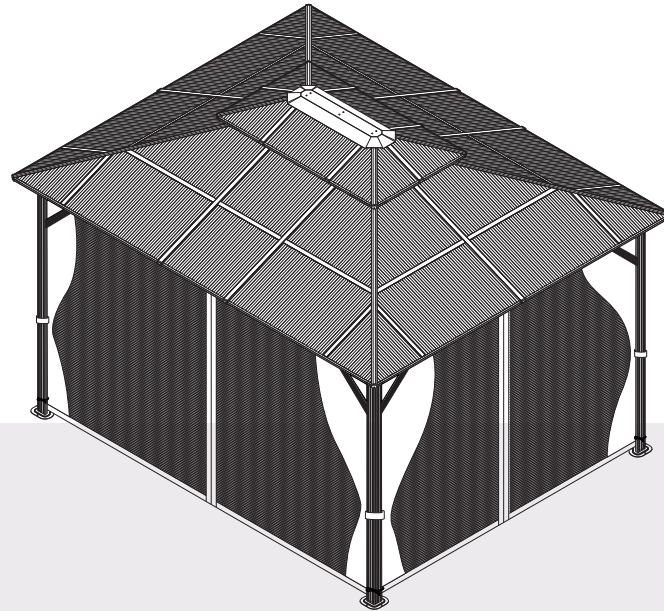



MANUAL INSTRUCTION

POLYCARBONATE DOUBLE ROOF GAZEBO

G30036-04-LF



Reach us at:

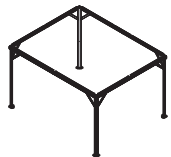
 service@kmcglobe-us.com

 (only us) +1 213-816-4788

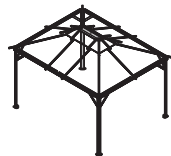
part 1: Precautions and preparations 3-6

part 2: Material list (please check before installation) 7-13

part 3 14-24



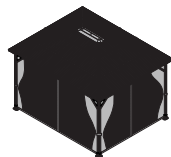
part 4 25-32



part 5 33-45



part 6 46-50



part 7: Help Center 51

Outdoor Furniture

We are a professional furniture provider with top-notch factories and outstanding designs, Our mission is to provide consumers with new lifestyles. By collecting consumer feedback, we constantly improve our products and create more choices for consumers. If you want to create your space, We are an ideal choice.

Always.



WARNING

- 1. Four or more people are required for assembly.**
- 2. A ladder and electric drill may be necessary.**
- 3. Do not erect the structure in heavy winds or inclement weather.**
- 4. Do not use candles, matches, or any open flames near the tent.**
- 5. To better align the screws for practical situations, do not fully tighten screws initially.**
- 6. Professional installation is highly recommended.**

WARNING

- In case of windy weather, please do not stand in the gazebo.
- Please do not stand under the gazebo in case of heavy snowfall.
- For safety, please use expansion screws to reinforce the posts to the ground.
- In windy weather, please tighten the fence and netting to avoid tearing in high winds.
- In extreme weather conditions, you can use a rope to pull the four corners of the gazebo to keep it stable.
- Please clear the snow off the roof in time for the heavy snowfall.
- Make sure all screws are tightened before use.
- Repeat to confirm all screws, buckles and straps every 90 days.
- Please keep all screws loose during the assembly process and tighten them after completing the installation.
- Do not use or store next to a pole with an open flame or flammable chemicals.
- Please note that some parts have sharp edges and should be handled with gloves.
- If any parts are missing, broken, damaged or worn, discontinue use of the product until repairs are made or factory replacement parts are installed.
- Installation of the product in a manner that does not conform to the manufacturer's instructions may result in the loss of the warranty policy for this product.

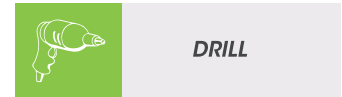
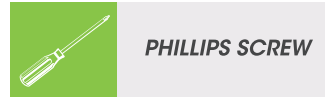
WARNING

WARNING: This product can expose you to Carbon monoxide, which is known to the State of California to cause birth defects or other reproductive harm. For more information go to www.P65Warnings.ca.gov

TOOLS REQUIRED

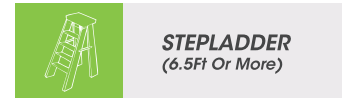
EQUIPMENT REQUIRED(Not included in boxes)

*NOTE:Tools / equipment are not shown to actual size and scale.

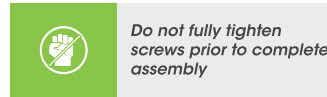
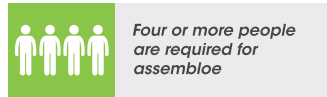


EQUIPMENT REQUIRED(Not included in boxes)

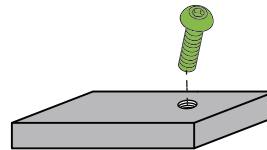
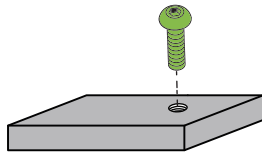
*NOTE:Equipment are not shown to actual size and scale.



Matters needing attention



INSTALLATION PRECAUTIONS







*The screws need to be aligned with the hole when installing.
*If the screw cannot be tightened ,please do not tight forcely ,as this may cause damage to the threaded hole.The correct way is to withdraw the screw and adjust to the right angle ,and try to tighten the screw again.

Part 2: Material list

(please check before installation)

Parts list

<input checked="" type="checkbox"/>	
<input checked="" type="checkbox"/>	
<input type="checkbox"/>	
<input type="checkbox"/>	

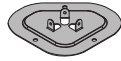
P8-P12

Hardware list

<input checked="" type="checkbox"/>	
<input checked="" type="checkbox"/>	
<input type="checkbox"/>	
<input type="checkbox"/>	

P13

PARTS



A X 4



C4 X 2



B X 4



C5 X 4

Inside the part "B"



C X 4



C6 X 4

Inside the part "B"



C1 X 2



D X 4



C2 X 2



D1 X 4



C3 X 2



D2 X 8

PARTS



E X 4



F2 X 2



E1 X 4



G X 6



E2 X 4



G1 X 6



E3 X 4



H X 1



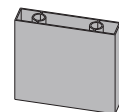
F X 12



H1 X 4

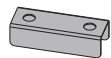


F1 X 2

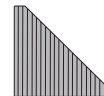


H2 X 10

PARTS



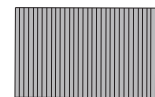
H3 X 10



L1 X 4



H4 X 6



L2 X 2



J X 2



M X 1



J1 X 2



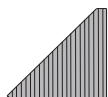
M1 X 3



K X 12

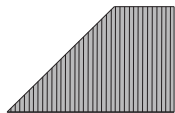


M2 X 1

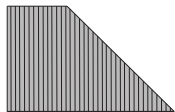


L X 4

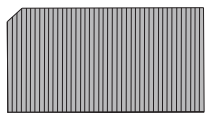
PARTS



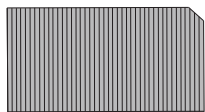
N X 4



N1 X 4



N2 X 4



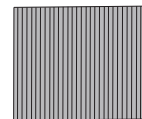
N3 X 4



N4 X 4



N5 X 4



N6 X 4



P X 4



P1 X 4



P2 X 4



P3 X 4

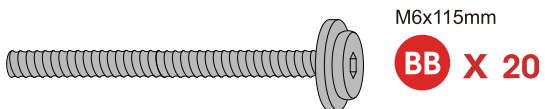
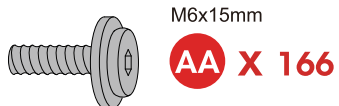


P4 X 2

PARTS



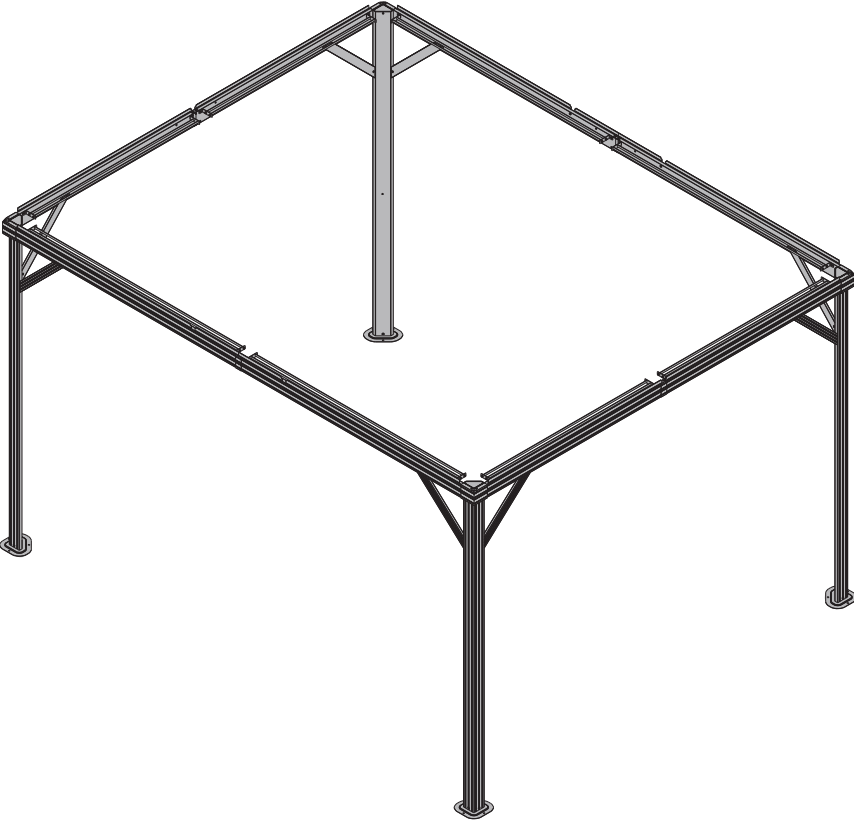
HARDWARE



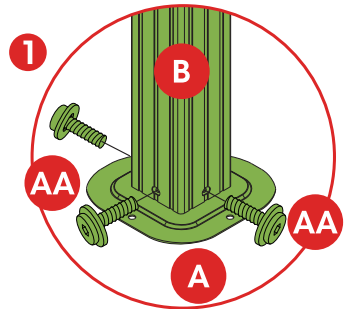
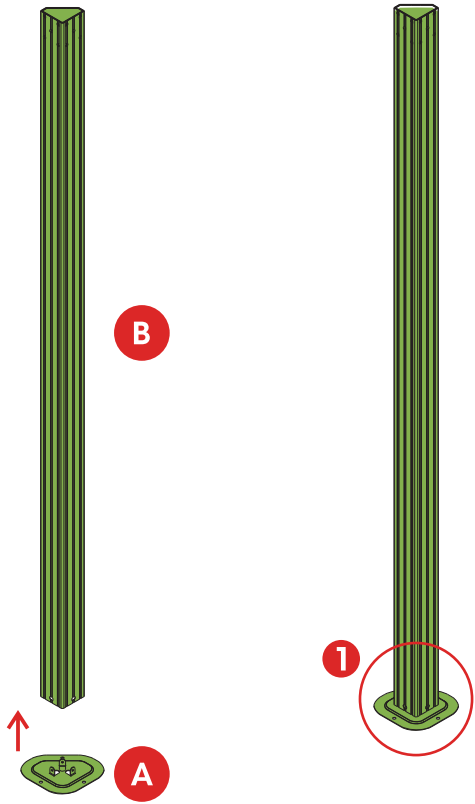
SPARE HARDWARE



Part 3

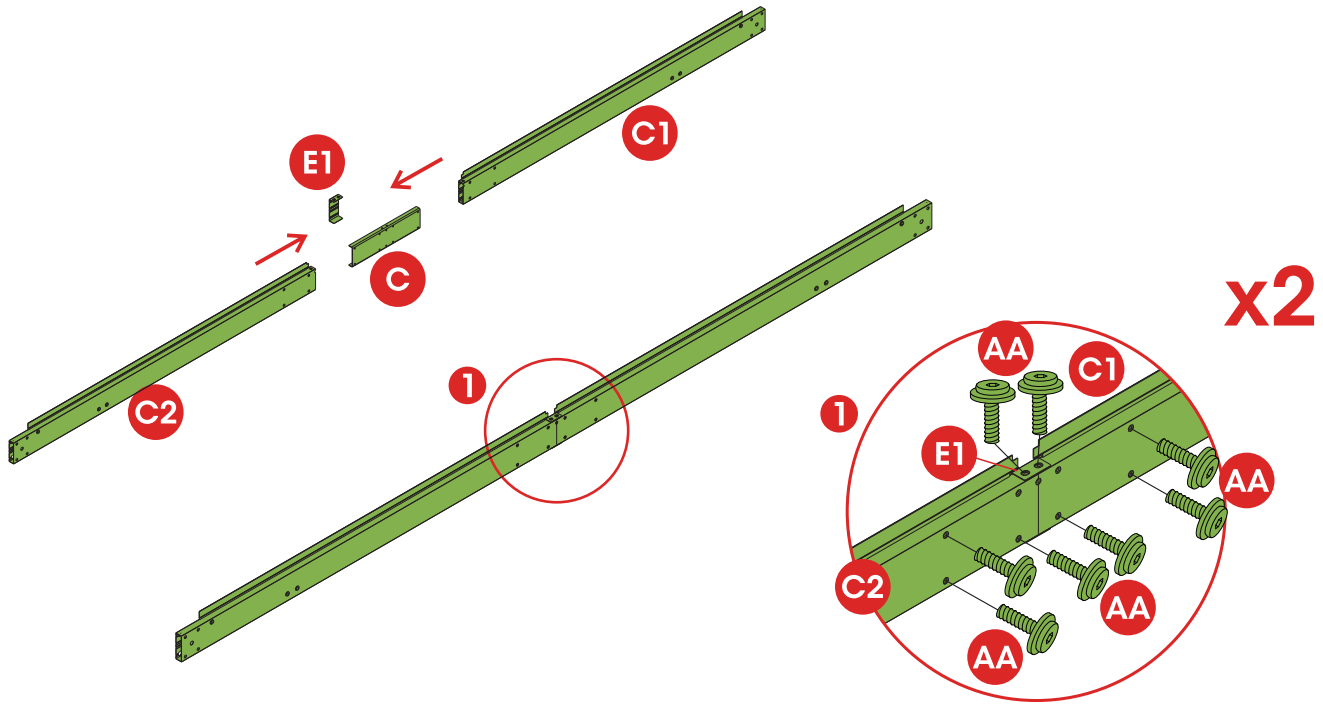
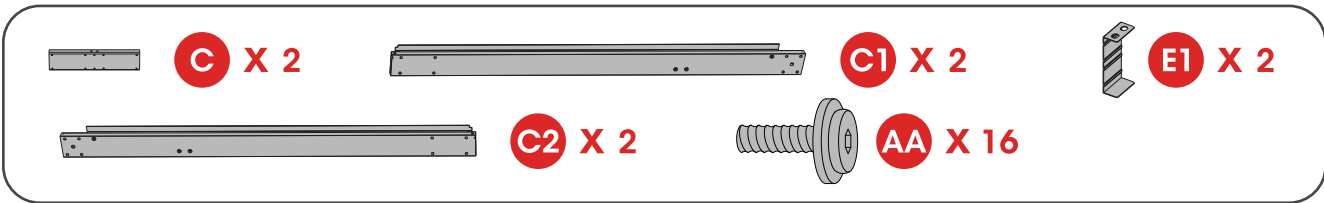


1

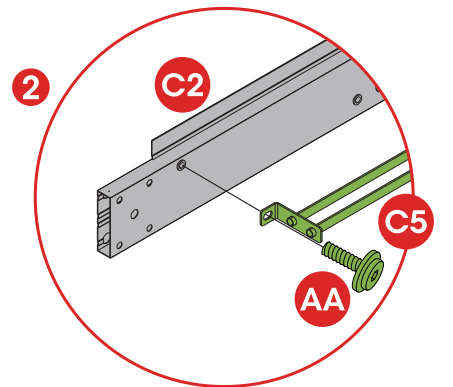
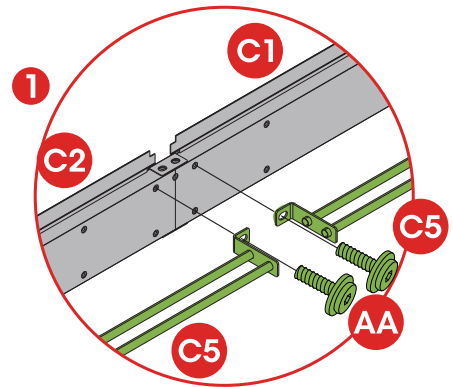
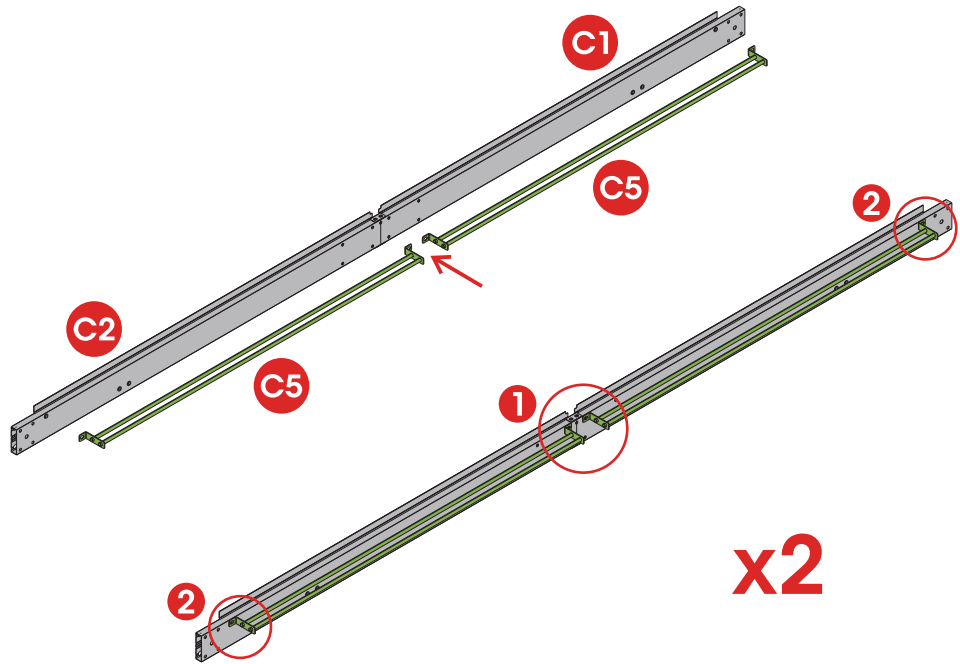


x4

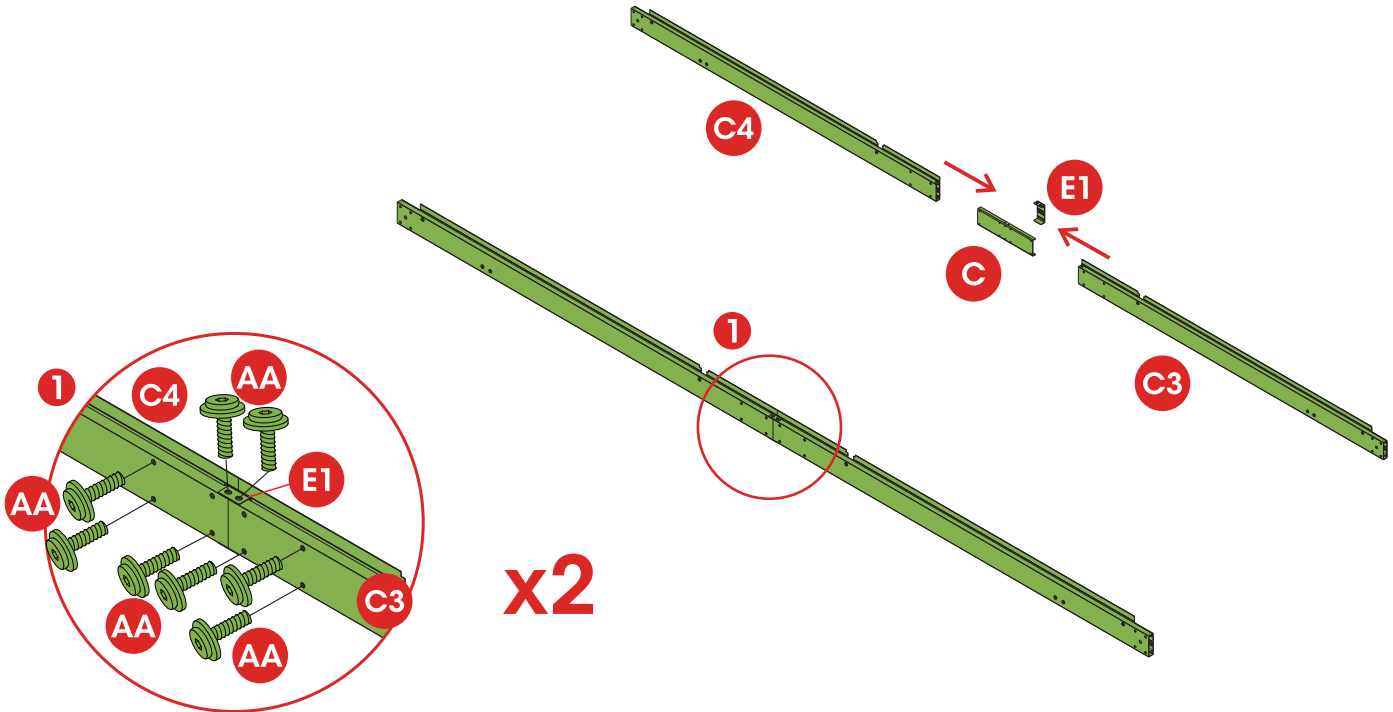
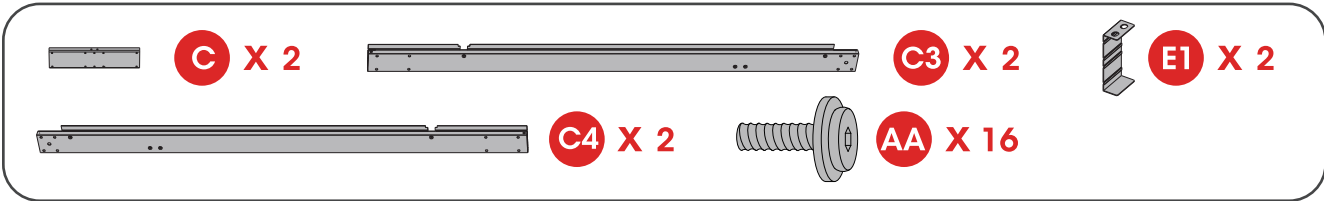
2



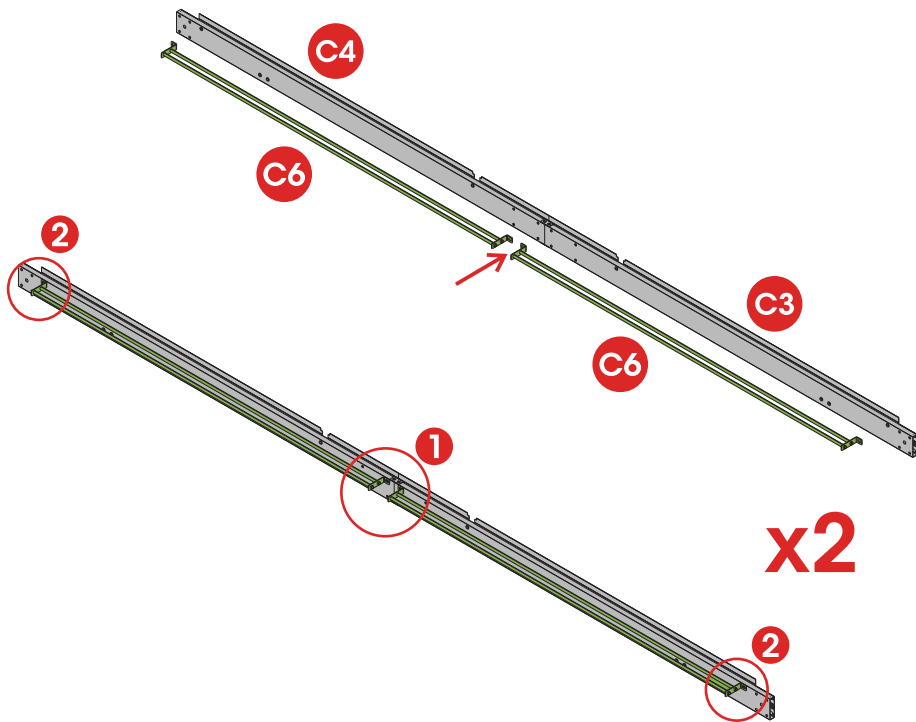
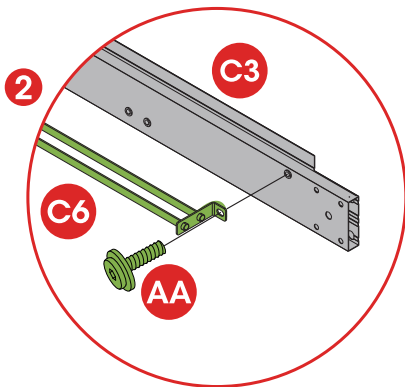
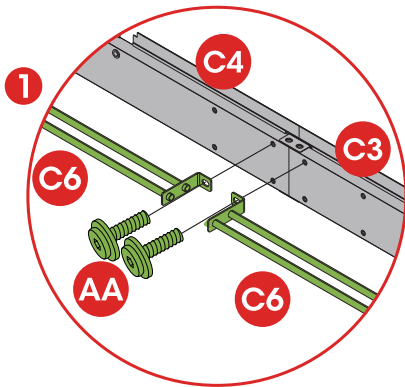
3



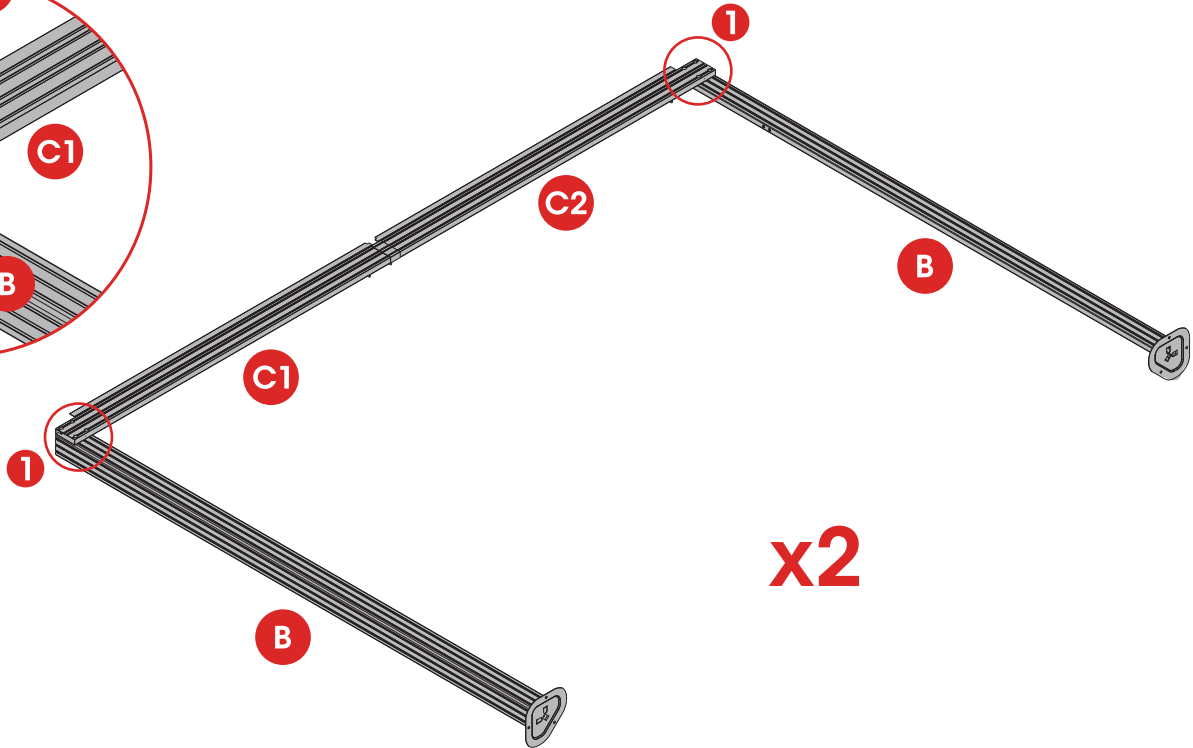
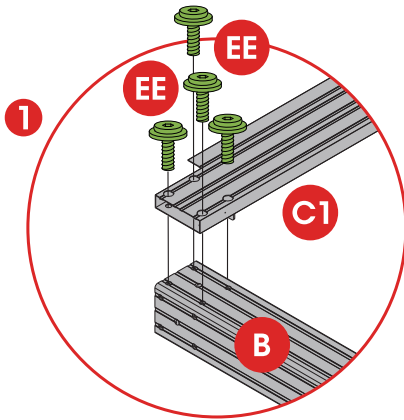
4



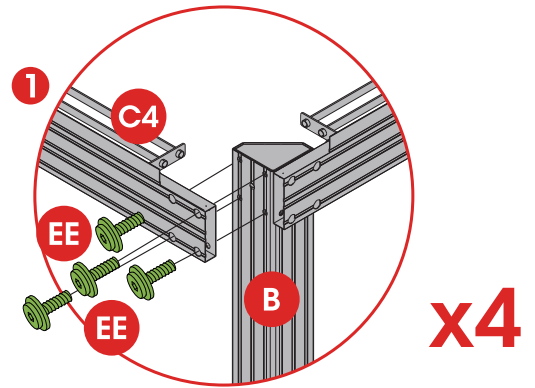
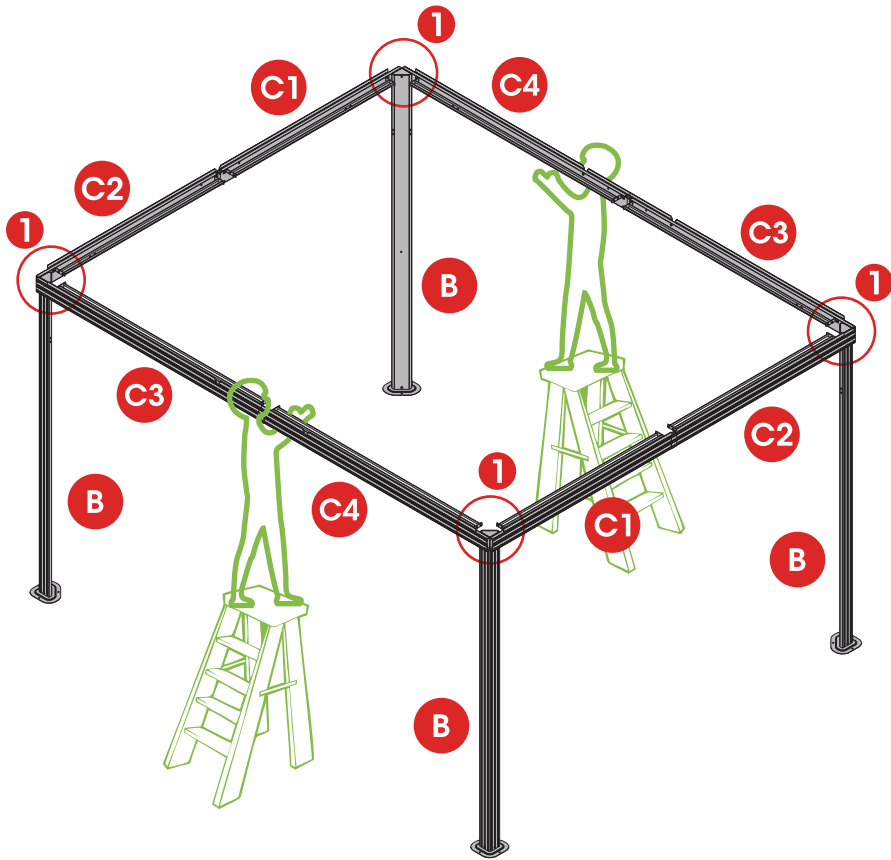
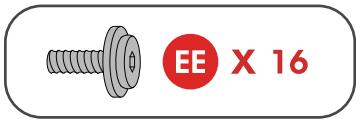
5



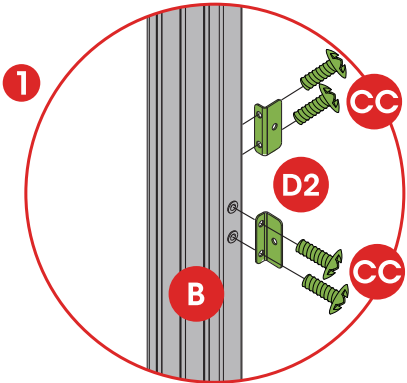
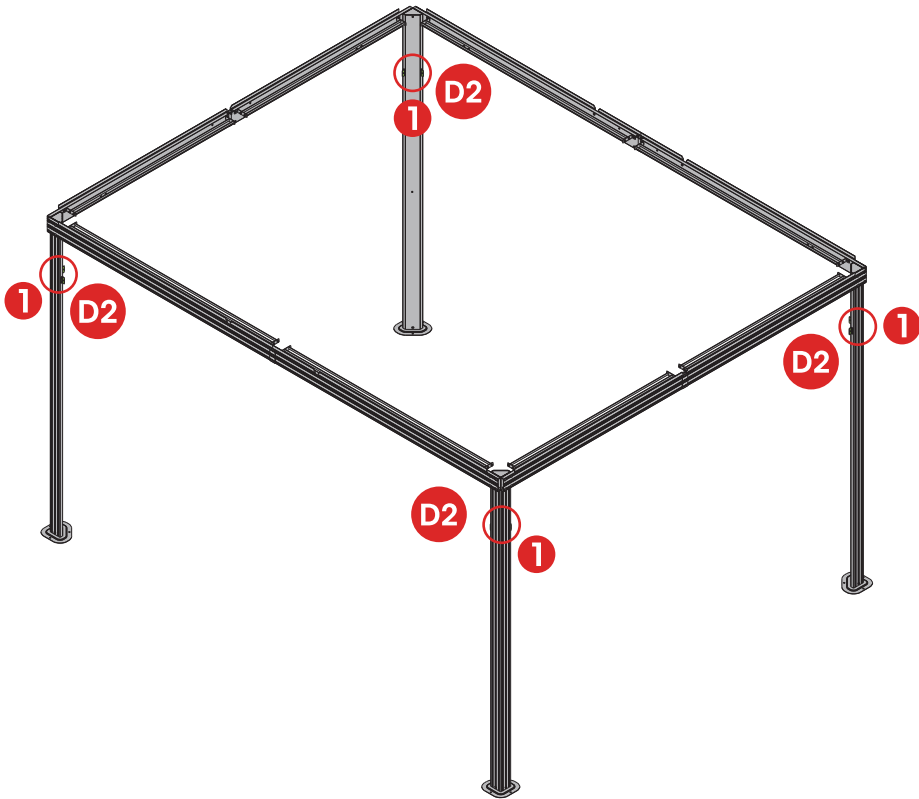
6



7

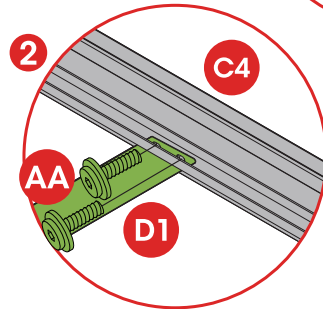
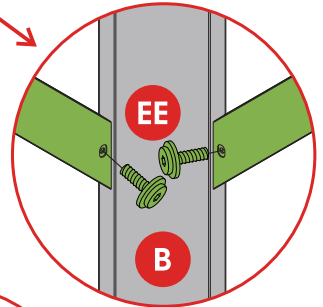
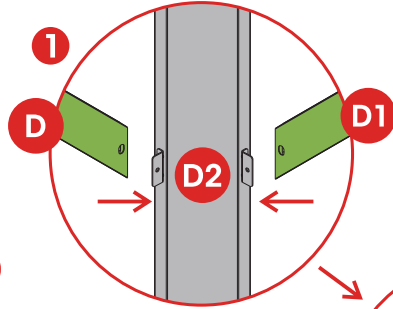
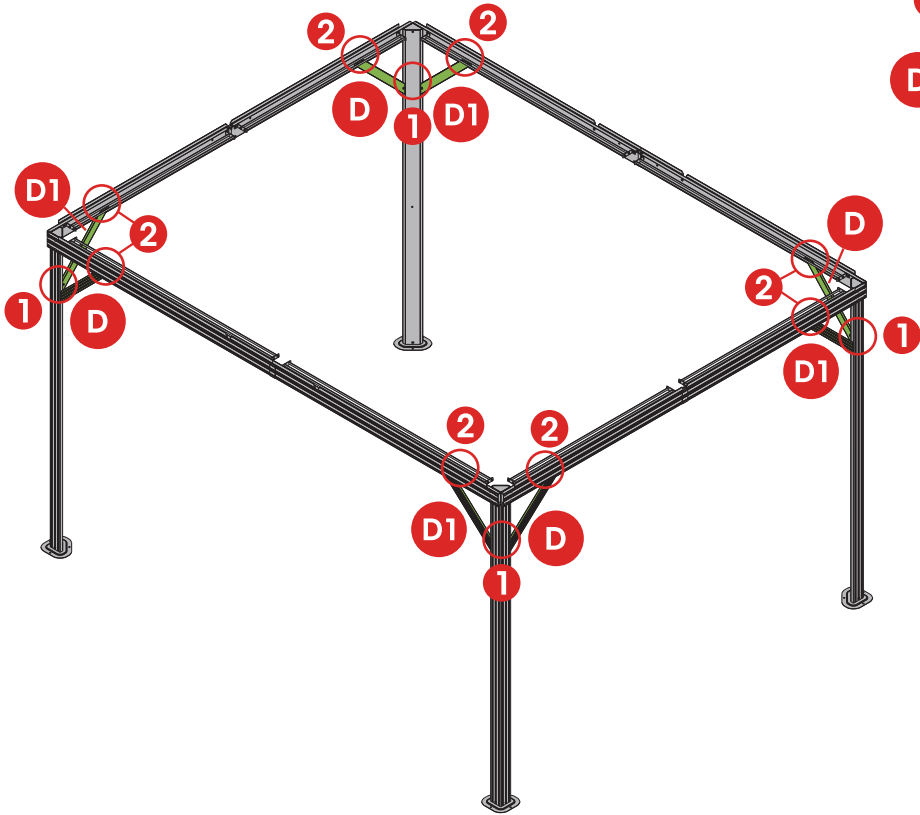


8

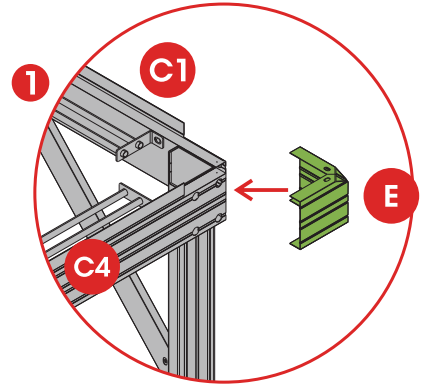
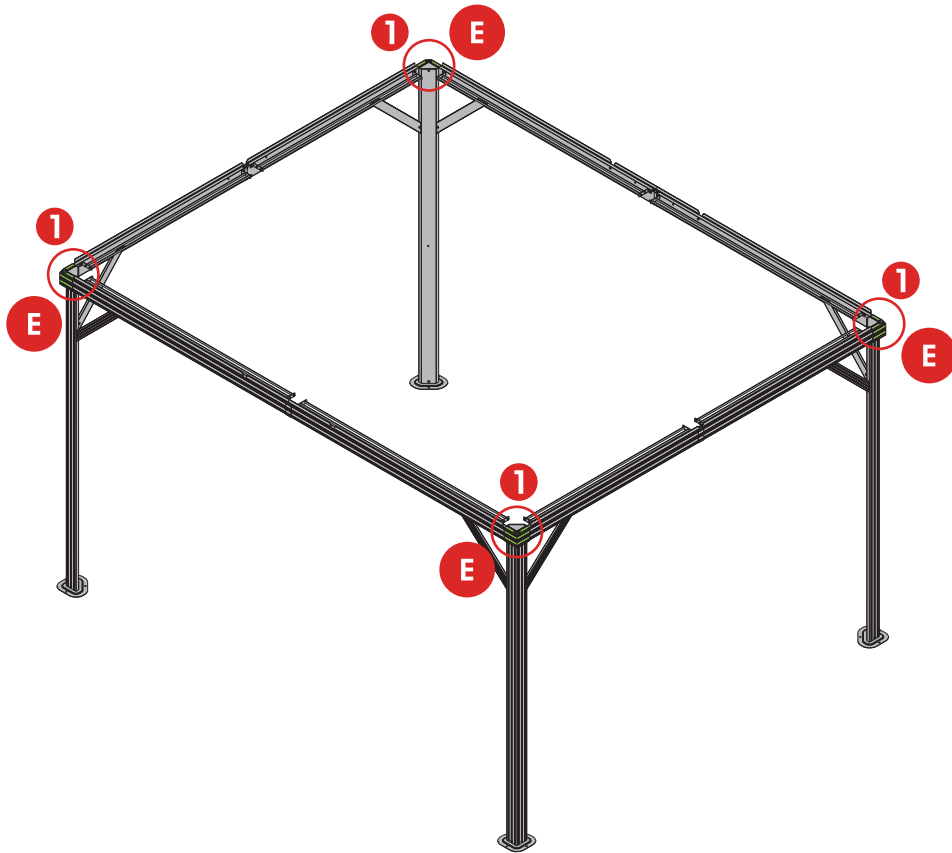
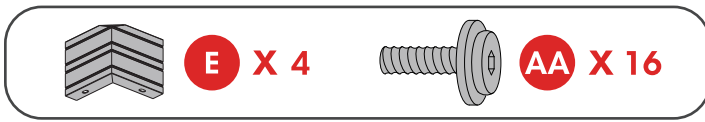


Note the orientation of the M6, the single hole part faces in wards

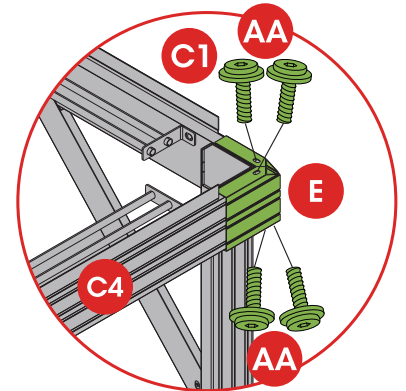
9



10



x4



Part 4

