



# XOGRILL32XLT

PERFORMANCE 32" BUILT-IN GRILL HEAD

PUT SOME AWESOME IN YOUR BACKYARD

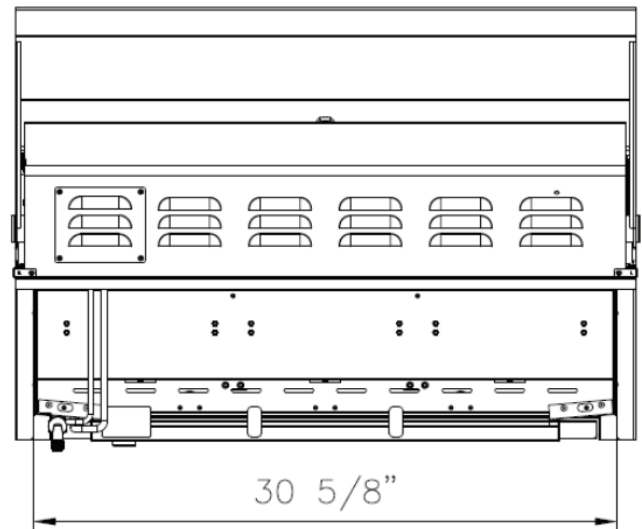
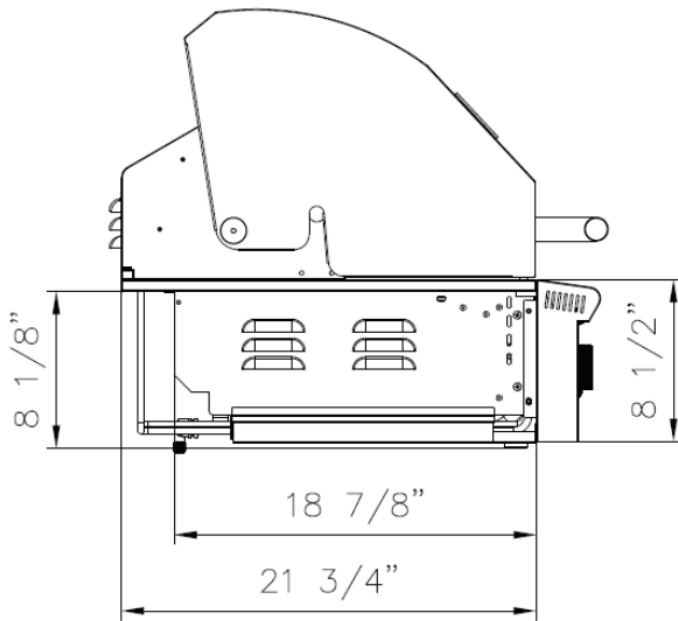


**XOGRILL32XLT**

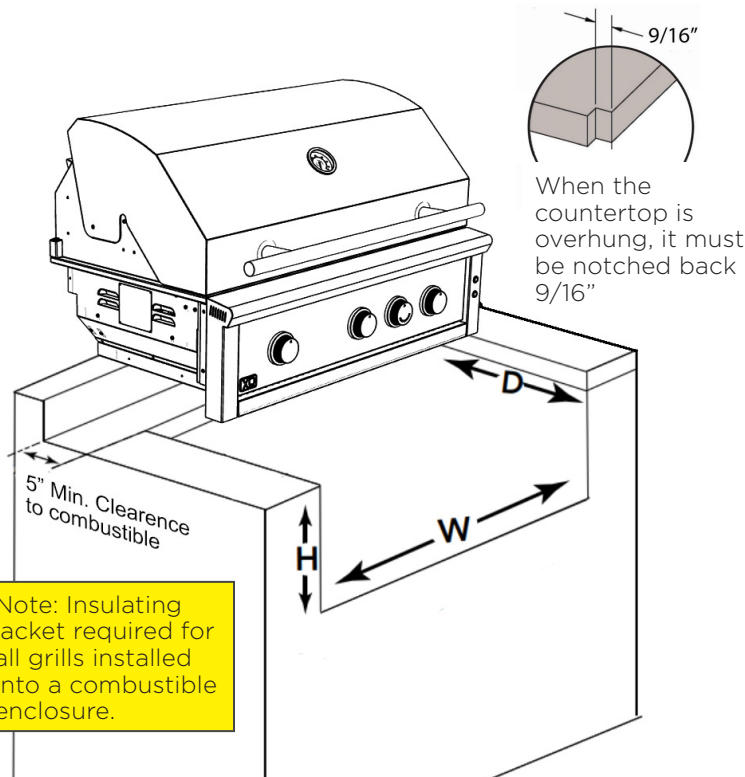
Family. Good friends. Great food. The sizzle and sear of your XO grill on a warm summer evening. These are the building blocks of memories. That's why our premium appliance experience and the learning from over 25 years of working with customers has gone into the design of every XO grill.

- 51,000 BTUS of Awesome Power
  - (3) Heavy Duty Tubular Stainless Steel Burners
  - Full coverage stainless steel flame tamer plates protect burners and add flavor
- Reliable Flame Thrower Ignition (ignites without electricity)
- Brilliant interior Halogen lighting
- Blue LEDs illuminate the controls and dramatically accent your entertaining
- Easy to read temperature gauge
- Spring Top Lid Opens Effortlessly
- InfraRed rear burner for use with optional rotisserie
- Generous capacity - 696 sq. inches of cooking surface (530 primary, 166 secondary)
- Cooking Zones with removable dividers enable different temperatures side by side
- Heavy duty, stainless steel grates hold the heat for strong grill marks
- Top rack provides baking and roasting area - swings up when not in use

WORLD CLASS SERVICE | COMPREHENSIVE WARRANTIES  
OUR LASTING COMMITMENT TO YOU



### BUILT-IN CUT OUT



Note: Insulating jacket required for all grills installed into a combustible enclosure.

### BUILT IN GRILL CUT OUT DIMENSIONS

	Width = W	Height = H	Depth = D
XOGRILL36XLT	30 5/8"	8 1/2"	21 1/4"
XOGRILL36XLT w/Insulated Jacket	33 1/8"	9 1/2"	21 7/8"

### SPECIFICATIONS

- SIZE** 32"
- DIMENSIONS** 32 1/2"W x 25 3/4"D x 21 1/4"H
- INSTALLATION TYPE** Built-in or Freestanding with optional cart
- FUEL** Specify Natural Gas or Propane. For NG, XO recommends using 3/4" gas lines.
- BURNERS** (3) Heavy Duty Tubular SS Burners combine to provide **51,000 BTUs of power!**
- GRILLING SURFACE (SQ.IN.)**

Primary	Secondary	Total
530	166	696
- ELECTRICAL** Installation requires an outdoor 120v GFI electrical outlet adjacent to product

## POPULAR PERFORMANCE GRILL OPTIONS BUILT-IN

### BUILT-IN ACCESS & STORAGE

BEAUTIFULLY CRAFTED, WELDED AND POLISHED EUROPEAN CABINET DOOR HINGES ENABLE YOU TO ADJUST AND ALIGN THE DOORS. DRAWERS HAVE SMOOTH OPERATING SLIDES FOR EASY OPERATION WHEN LOADED. TWO STYLES AVAILABLE.



XOG32DDXLT



XO32COMBOXLT

### INSULATED GRILL LINER

STAINLESS STEEL INSULATED JACKET DESIGNED FOR INSTALLATIONS WHERE COMBUSTIBLE MATERIALS WERE USED IN THE CONSTRUCTION OF THE OUTDOOR KITCHEN SUCH AS FRAMING OR SURFACE TREATMENTS. USE OF AN INSULATED LINER CAN EXPAND YOUR DESIGN AND FINISH OPTIONS.



XOG32JACKETXLT

### ROTISSERIE KIT

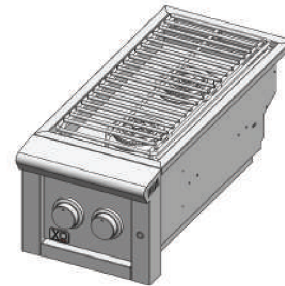
TAKE ADVANTAGE OF THE REAR INFRARED BURNER INSTALLED IN YOUR GRILL WITH OUR POPULAR OPTIONAL ROTISSERIE. THE KIT INCLUDES AN OUTDOOR RATED MOTOR, SPIT, POULTRY FORKS, COUNTERWEIGHT AND NECESSARY MOUNTING HARDWARE. ADDING A ROTISSERIE ENABLES YOU TO SLOW ROAST WHOLE CHICKENS, PORK LOIN, BEEF OR LAMB ROASTS AND MUCH MORE RIGHT ON YOUR GRILL.



XOROTIS32XLT

### TWIN SIDE BURNER

DESIGNED TO COMPLIMENT YOUR GRILL, THIS CONVENIENT UNIT ALLOWS YOU TO KEEP SIDE DISHES COOKING CLOSE AT HAND WHILE YOU ARE GRILLING. TWO POWERFUL 12,000 BTU BURNERS ARE INDEPENDENTLY CONTROLLED BY THE LED ILLUMINATED CONTROL KNOBS. THE QUALITY STAINLESS STEEL CONSTRUCTION, BRASS PLATED BURNERS AND STAINLESS STEEL COVER MAKE THIS BOTH A VALUABLE ADDITION TO YOUR OUTDOOR KITCHEN AND A GREAT VALUE.



XOGSIDEBXLT

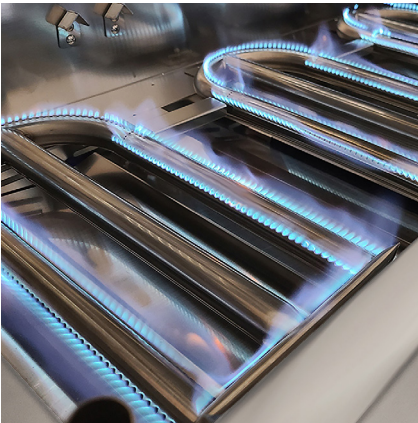
### ALL WEATHER COVERS

DON'T FORGET TO PROTECT YOUR INVESTMENT WITH A QUALITY ALL WEATHER COVER DESIGN TO FIT YOUR APPLIANCES.



XOG32COVERBI

## XOGRILL32XLT PRODUCT FEATURES



### WELDED STAINLESS

BUILT TO LAST - SEAMLESS WELDED AND POLISHED STAINLESS STEEL CONSTRUCTION



### STAINLESS STEEL BURNERS

LIFETIME WARRANTIED HEAVY DUTY TUBULAR STAINLESS STEEL BURNERS DELIVER 17,000 BTUs EACH



### INTEGRATED ILLUMINATION

ELEGANT LED CONTROL LIGHTING AND INTERNAL HALOGEN LAMPS



### UPPER RACK FLIPS UP TO STORE

PROVIDES BAKING AND ROASTING AREA - FOLDS UP WHEN NOT IN USE



### EASY LIFT HOOD

LIFT SPRING COUNTER BALANCED WELDED SS HOOD MOVES EFFORTLESSLY



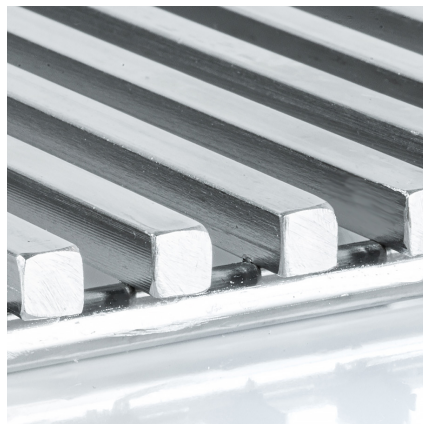
### FULL COVERAGE SS FLAME TAMERS

FORMED STAINLESS STEEL FLAME TAMERS ENABLE RAPID HEAT UP, GUARD THE BURNERS AND VAPORIZE DRIPPINGS TO ADD FLAVOR



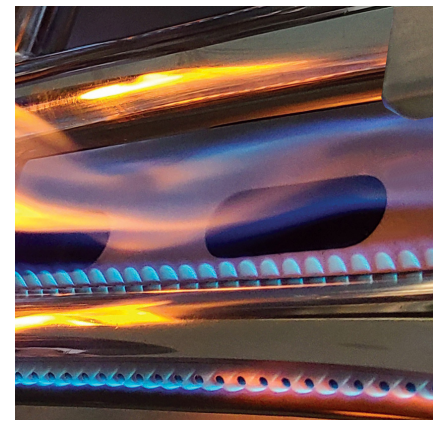
### BUILT-IN THERMOMETER

EASY TO READ TEMPERATURE GAUGE



### WELDED GRATES

HEAVY DUTY 304 STAINLESS GRATES HOLD HEAT FOR STRONG GRILL MARKS



### RELIABLE FLAME IGNITION

POSITIVE IGNITION WITHOUT AN ELECTRICAL CONNECTION