

# ATTENTION

## PREPARATION :

The gazebo needs to be installed in cooperation with **two people**.

Estimated Assembly Time: **2-3 Hours**.

Site preparation suggestion: Level the ground surface, construct a wooden or concrete base as a foundation.

The following installation tools will be used.



2 m Adjustable Ladder



Tape Measure



Screw Driver



Pistol Drill



gradienter



Hammer

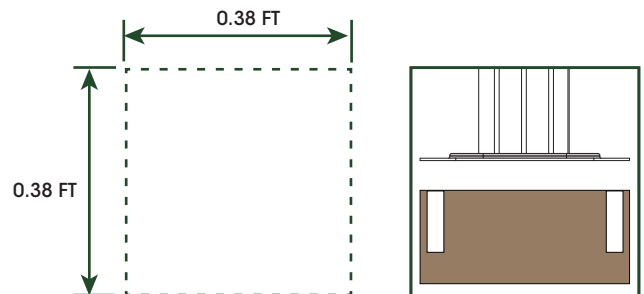
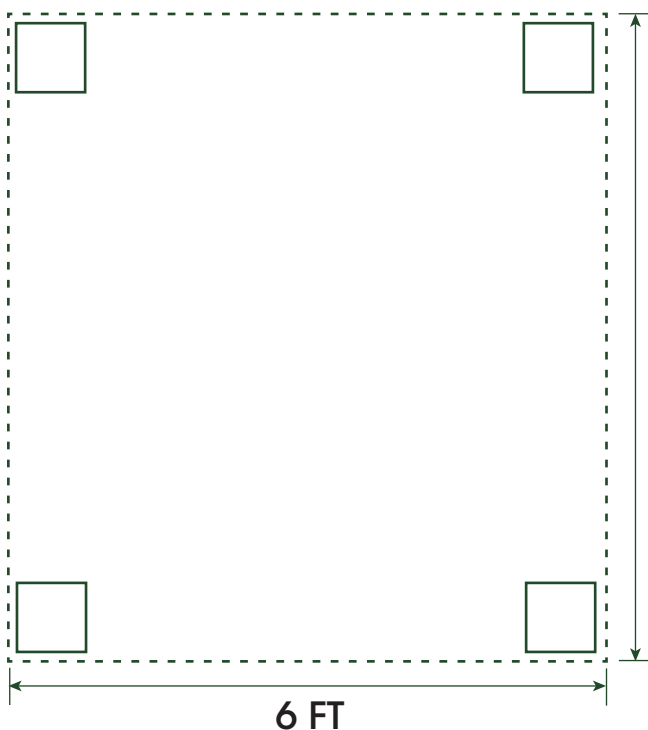


gloves



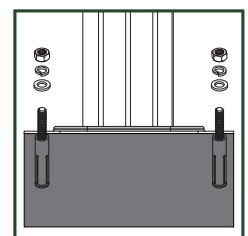
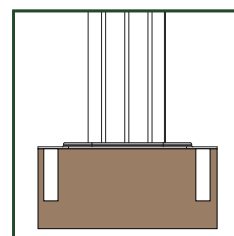
2 people

## Minimum foundation size:



If your foundation is made of hardwood or concrete, Use an 6 mm diameter drill bit to drill holes in the foundation, with the depth exceeding 60 mm.

6 FT



Use the expansion bolts that are pre-configured with the product to secure it in place. This installation methods will provide better wind resistance performance, extend the product's lifespan.

# ATTENTION

---

## CAUTION:

1. Tighten each bolt firmly and properly. Do not completely tighten the screws until all screws are started.
2. Some parts may contain sharp edges. Wear protective gloves in the box as necessary.
3. Children under the age of 16 should not be engaged in the assembly, removal or disassembly of the product.
4. It is strongly recommended to hire a professional installation team.

## WARNING:

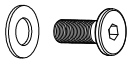
1. Children under the age of 10 should be supervised by a competent adult while using this furniture.
2. Please keep children out of the assembly area during assembly.
3. Never use this product as a support. Do not shake, lean, or climb on the product any time.
4. Please take appropriate measures to deal with the bad weather. Heavy rain, wind and snow may damage the gazebo. If necessary please dis-assemble and store for later use.
5. In snowy weather, please ensure that the thickness of snow on the roof does not exceed 5 inches, If it does, please remove the snow as soon as possible to ensure safety.
6. When the wind force reaches scale 8, please take corresponding measures to reinforce the gazebo to prevent it from being damaged by the wind, and be cautious of safety issues during strong wind conditions.
7. It is necessary to use anchor bolts, expansion bolts and ropes to fix the gazebo to the foundation for Long-term stability.
8. We offer a one-year warranty, excluding damages caused by improper installation, incorrect usage, failure to use the fixing accessories, unclean snow, or failure to take preventive measures.
9. Stay away from open flames.

# PARTS LIST

1. Please ensure that all parts, accessories and installation tools are complete before starting the installation.
2. Due to the variety of accessories, some parts may be glued together, some parts may be trapped inside the larger ones, please check carefully.
3. In case you cannot find or lose some small parts or screws during installation, we have provided extra parts, it is a bag with "Additional Parts" label.
4. If any accessories are missing or damaged, please contact us immediately.

✉ [service@kmcglobe-us.com](mailto:service@kmcglobe-us.com)

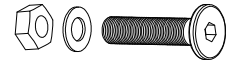
## CARTON: A



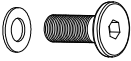
M6X10mm  
**1** X 24+1



M6X40mm  
**2** X 8+1



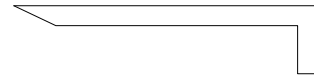
M6X35mm  
**3** X 8+1



M6x16mm  
**4** X 32+2



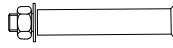
**5** X 8



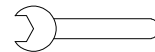
**6** X 4



φ5  
**7** X 4



M6x50mm  
**8** X 8



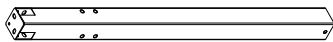
M6  
**9** X 1



M6  
**10** X 2



M6x50mm  
**11** X 16+1



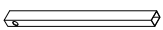
**A** X 4



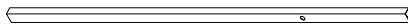
**B** X 4



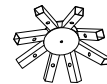
**C** X 4



L=255mm  
**C1** X 4



L=1300mm  
**C2** X 4



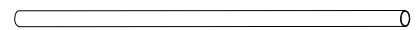
**E** X 1



**F** X 4



**G** X 8



L=1712mm  
**H** X 4

# PARTS LIST

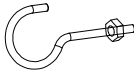
## CARTON: A



**J** X 8



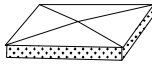
**K** X 8



**L** X 1



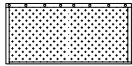
**M** X 24



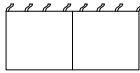
**P** X 1



**Q** X 1



**R** X 4

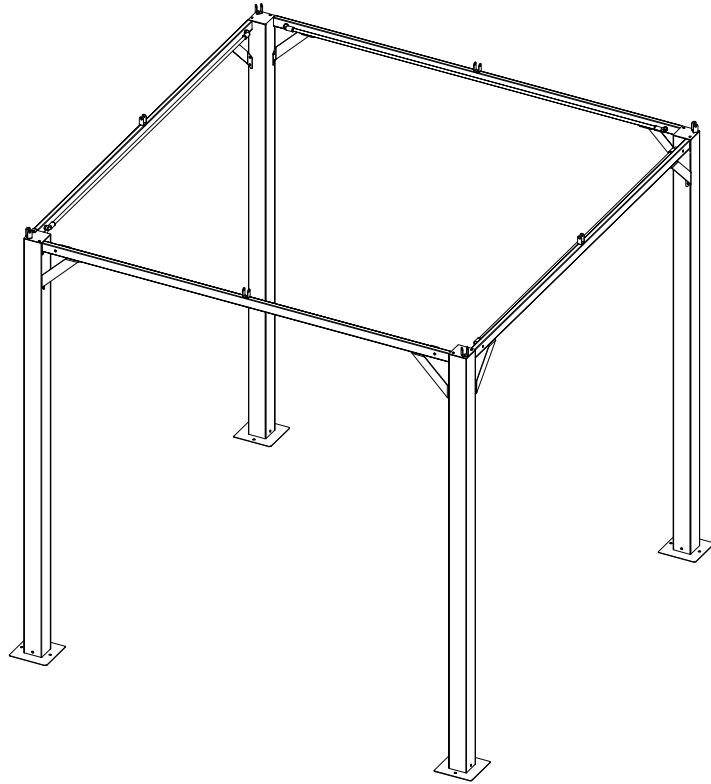


**S** X 4

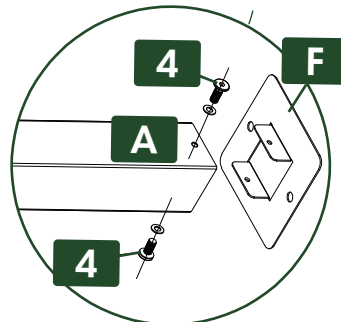
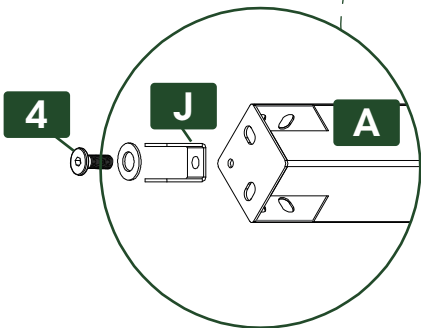
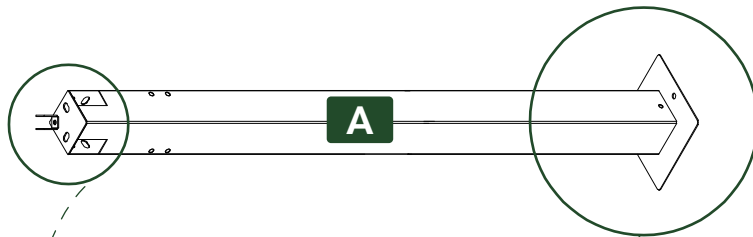


200mm  
**T** X 4

# Phase 1 : Flooring Frame

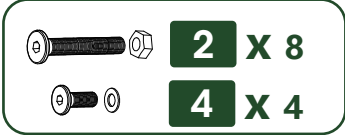
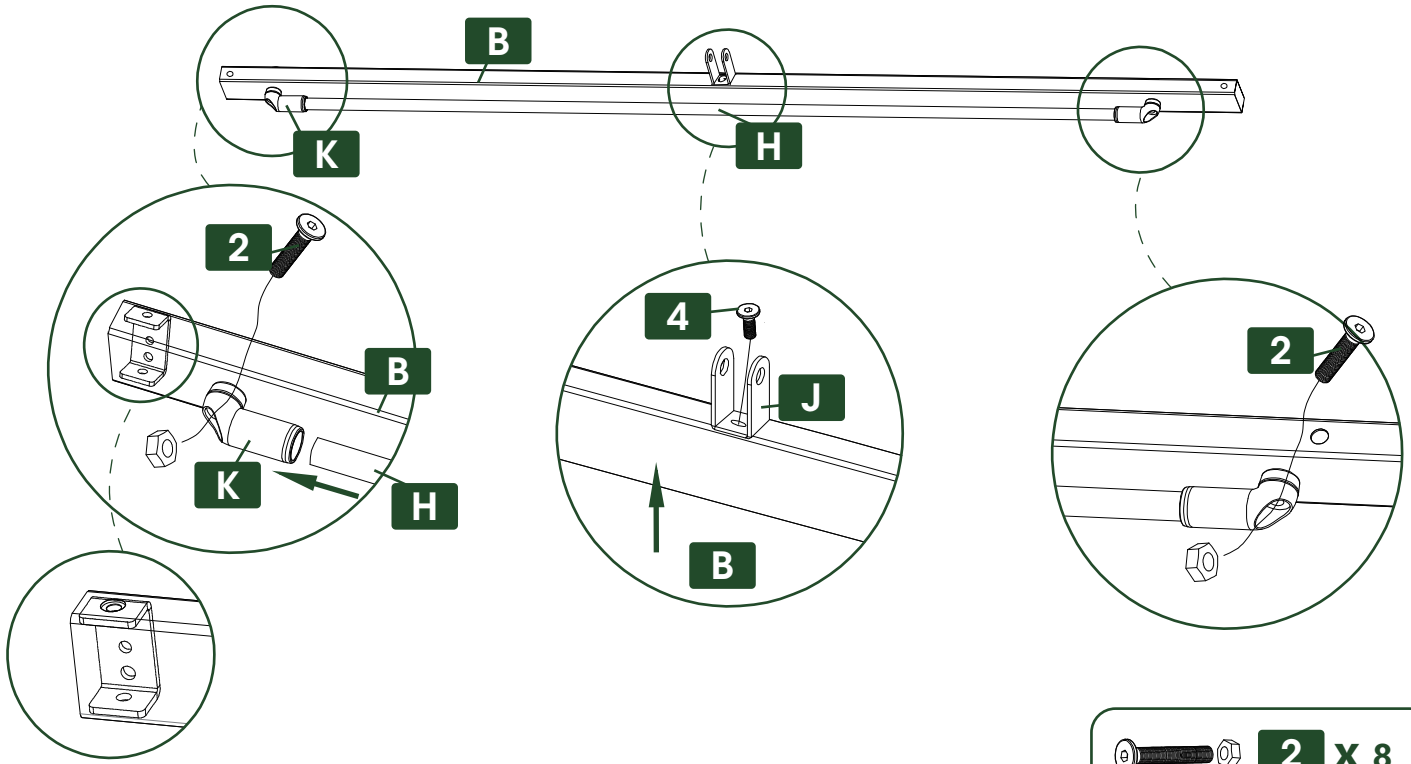
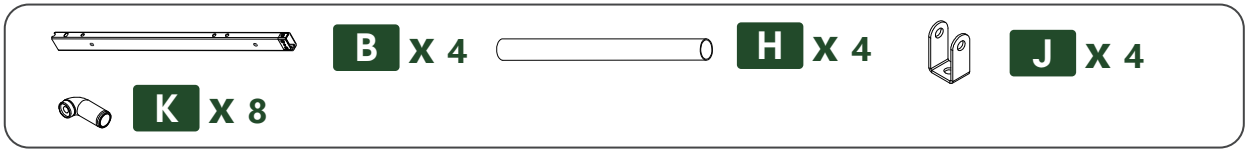


**01**  
**STEP**  
**x4**

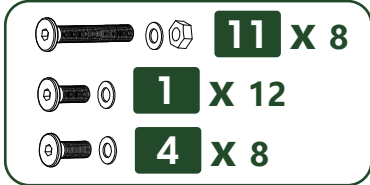
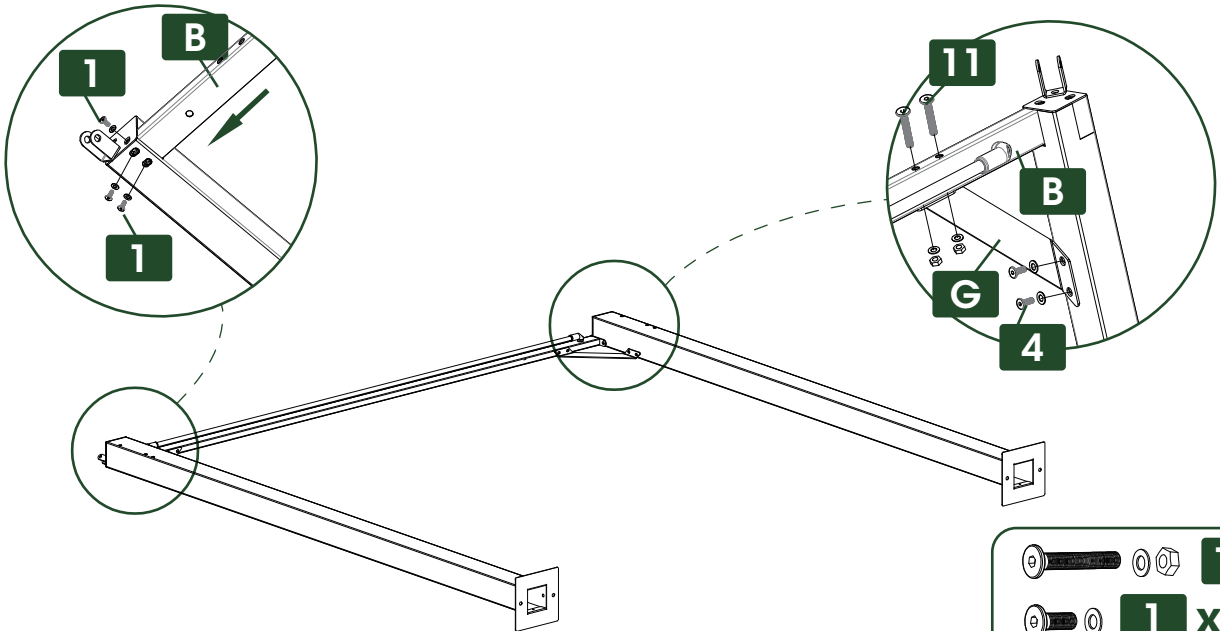


 **4** X 12

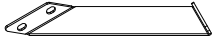
**02**  
**STEP**  
**X4**



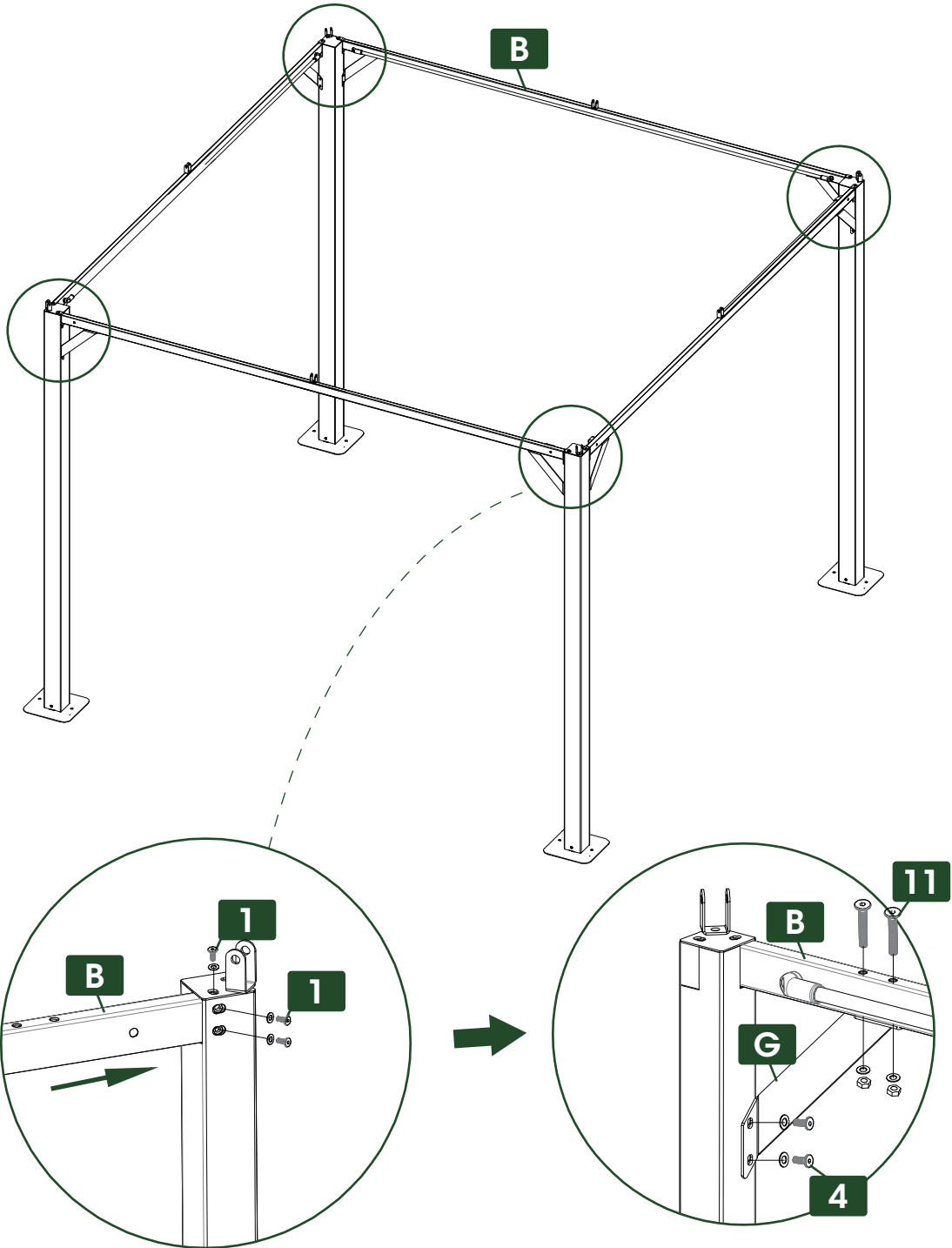
**03**  
**STEP**  
**X2**



**04**  
**STEP**



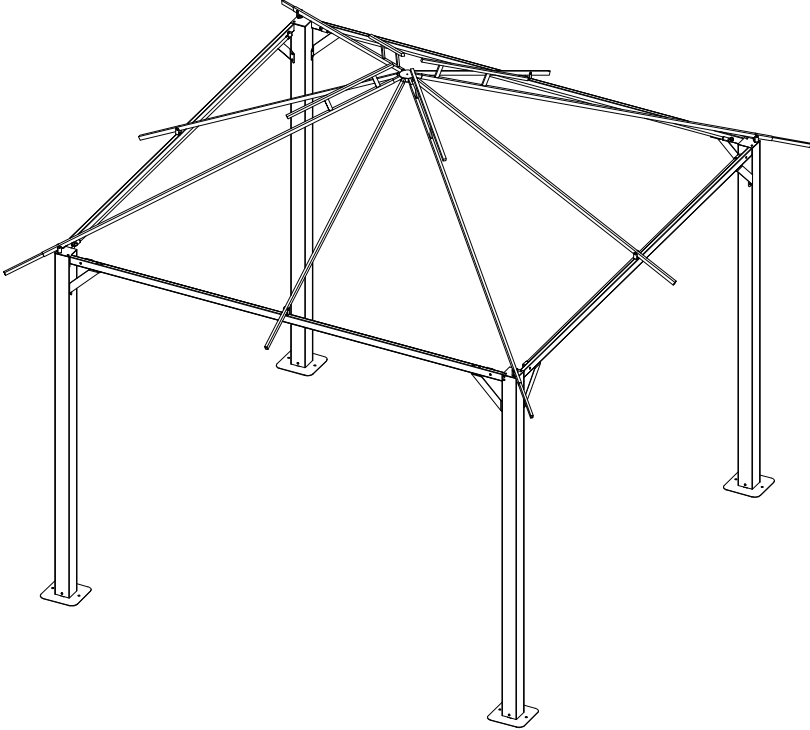
**G** X 4



Check if the frames are aligned.  
You can use a level gauge for this.

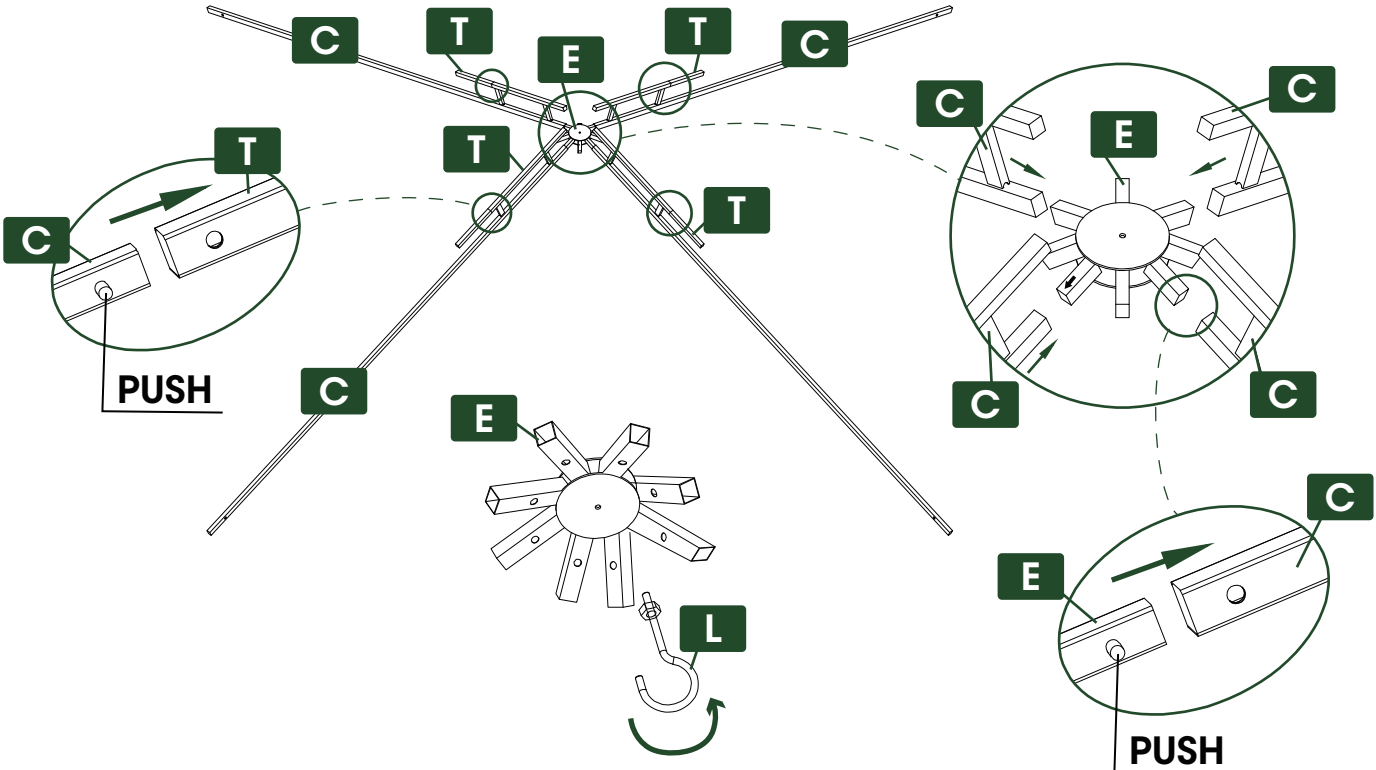
			<b>11</b> X 8
			<b>1</b> X 12
			<b>4</b> X 8

# Phase 2: Top Frame



**05**  
**STEP**

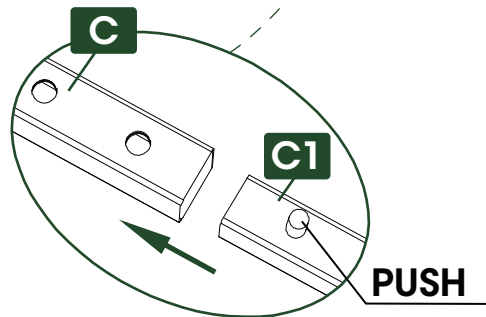
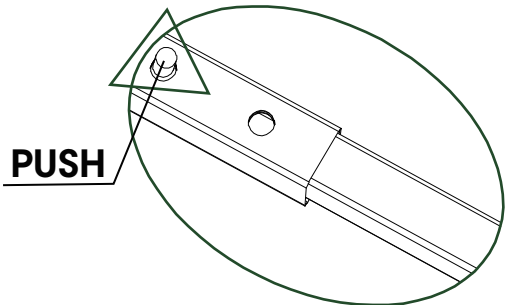
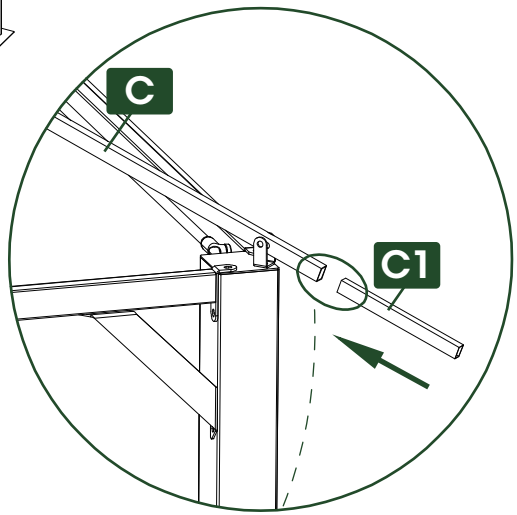
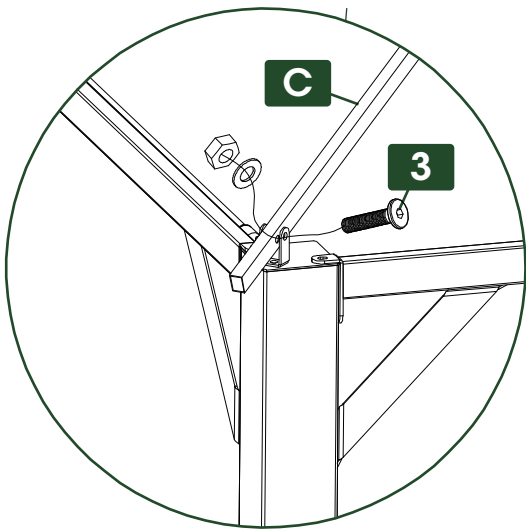
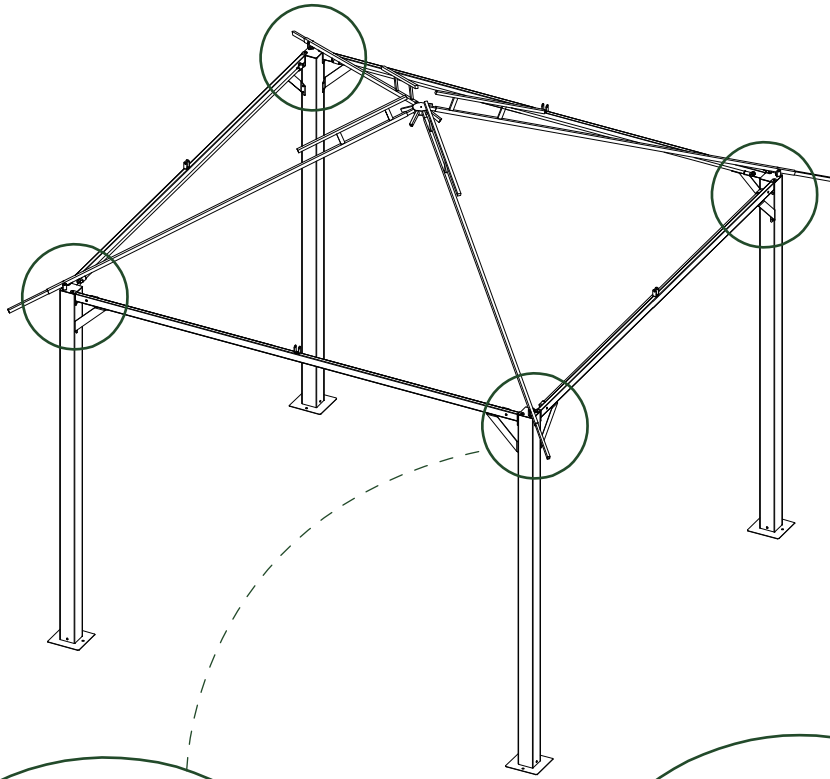

**C** x 4  
 
**T** x 4  
 
**L** x 1  
 
**E** x 1



**06**  
**STEP**



**C1** X 4

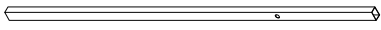


Assemble into the inner hole.

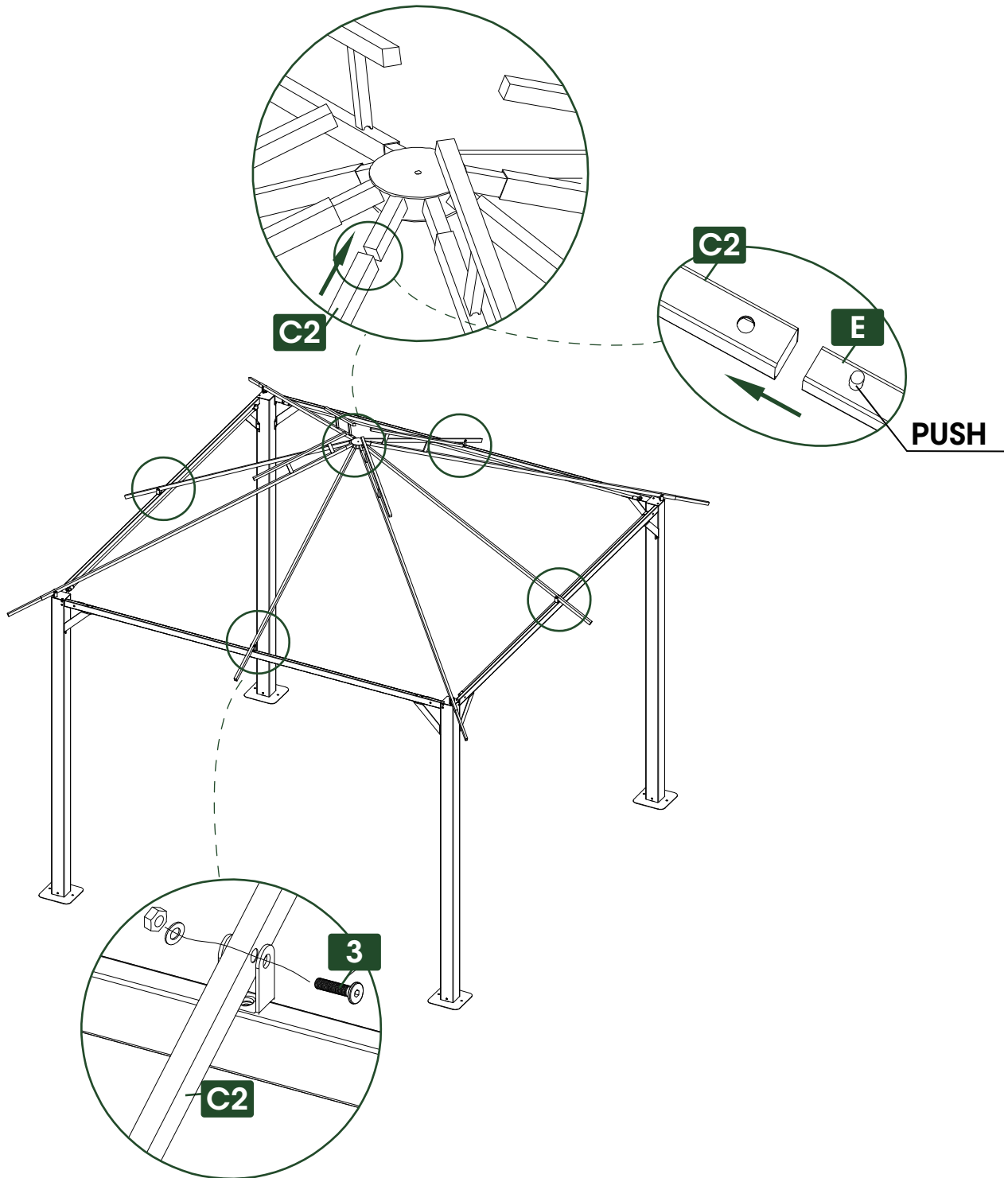


**3** X 4

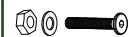
**07**  
**STEP**



**C2** X 4

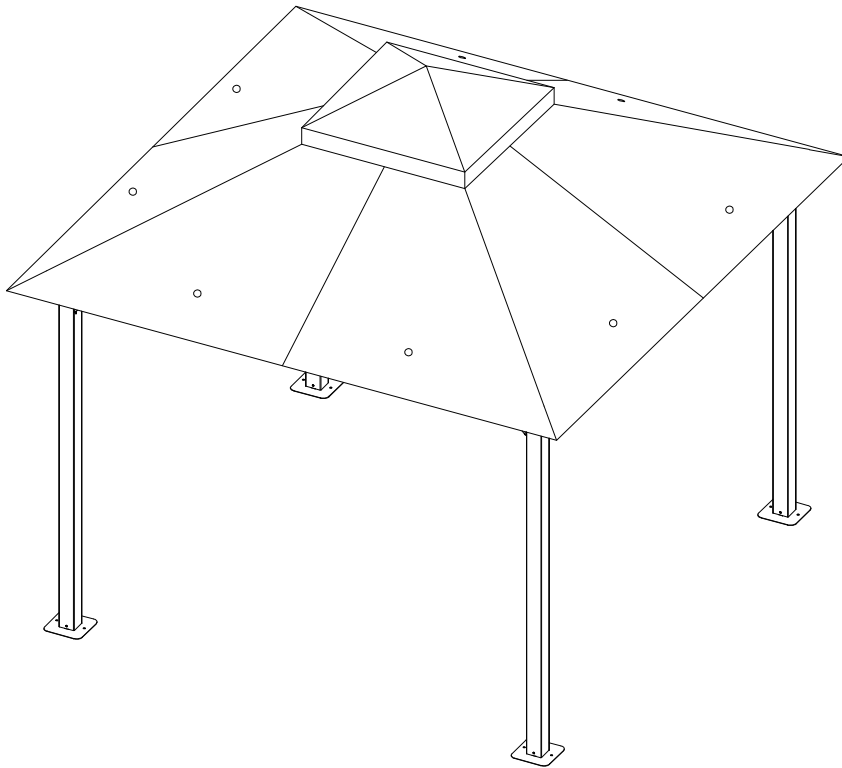


Check if the top frames are aligned. They should be symmetrical on both sides.

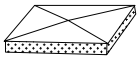


**3** X 4

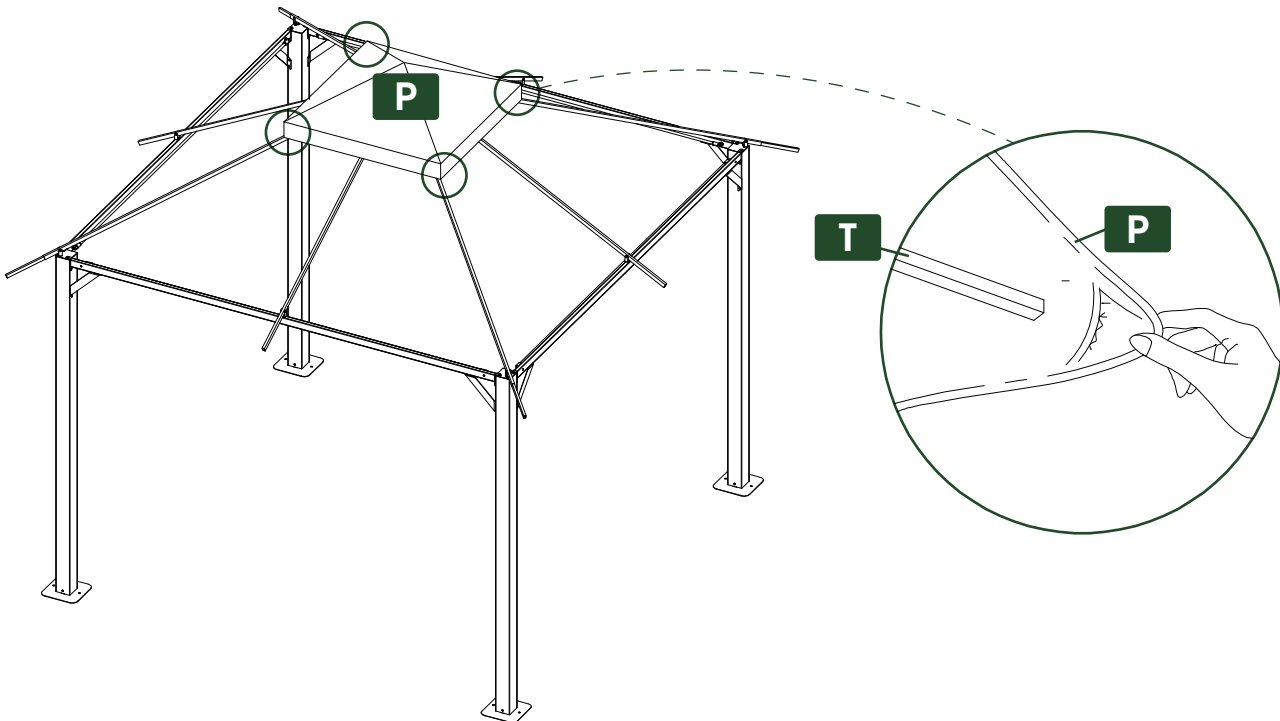
# Phase 3: Top Material



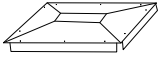
**08**  
**STEP**



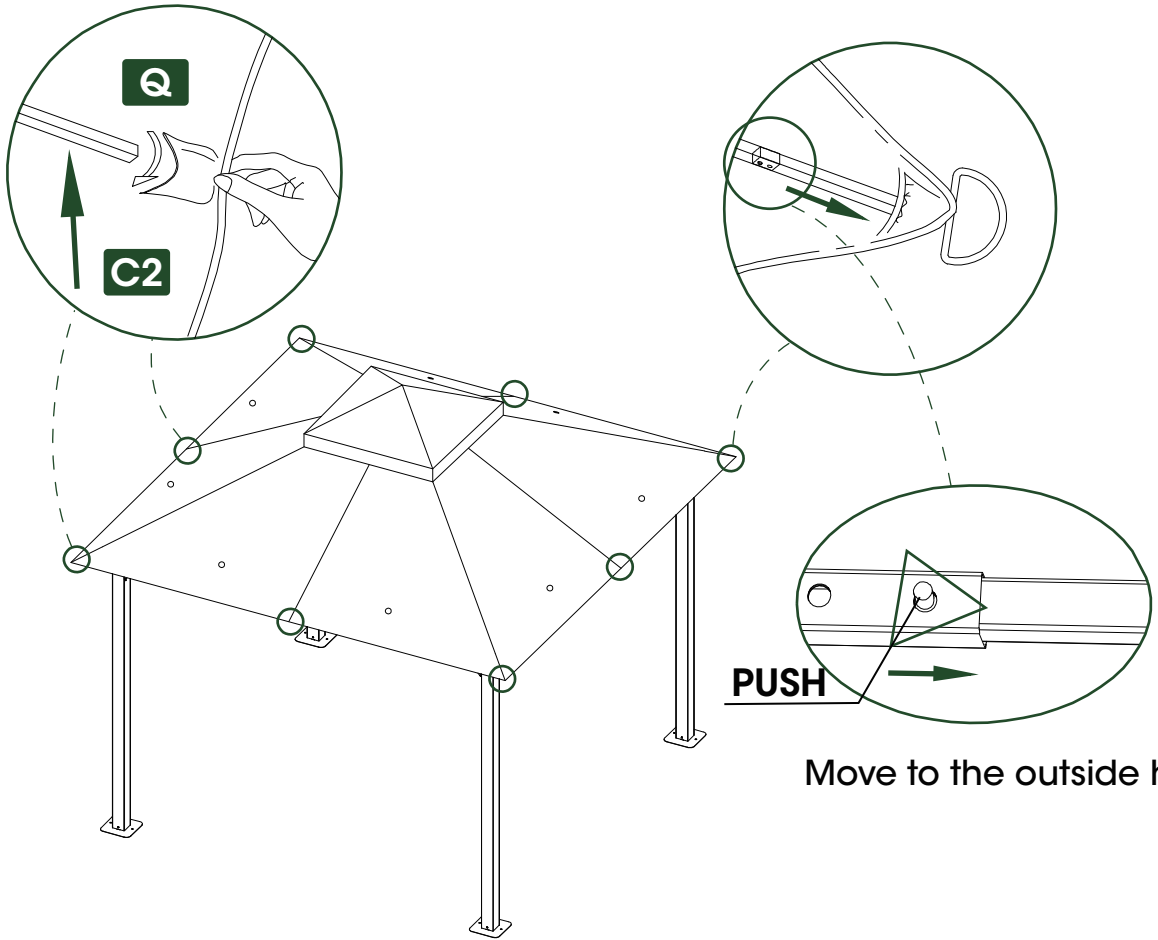
**P** X 1



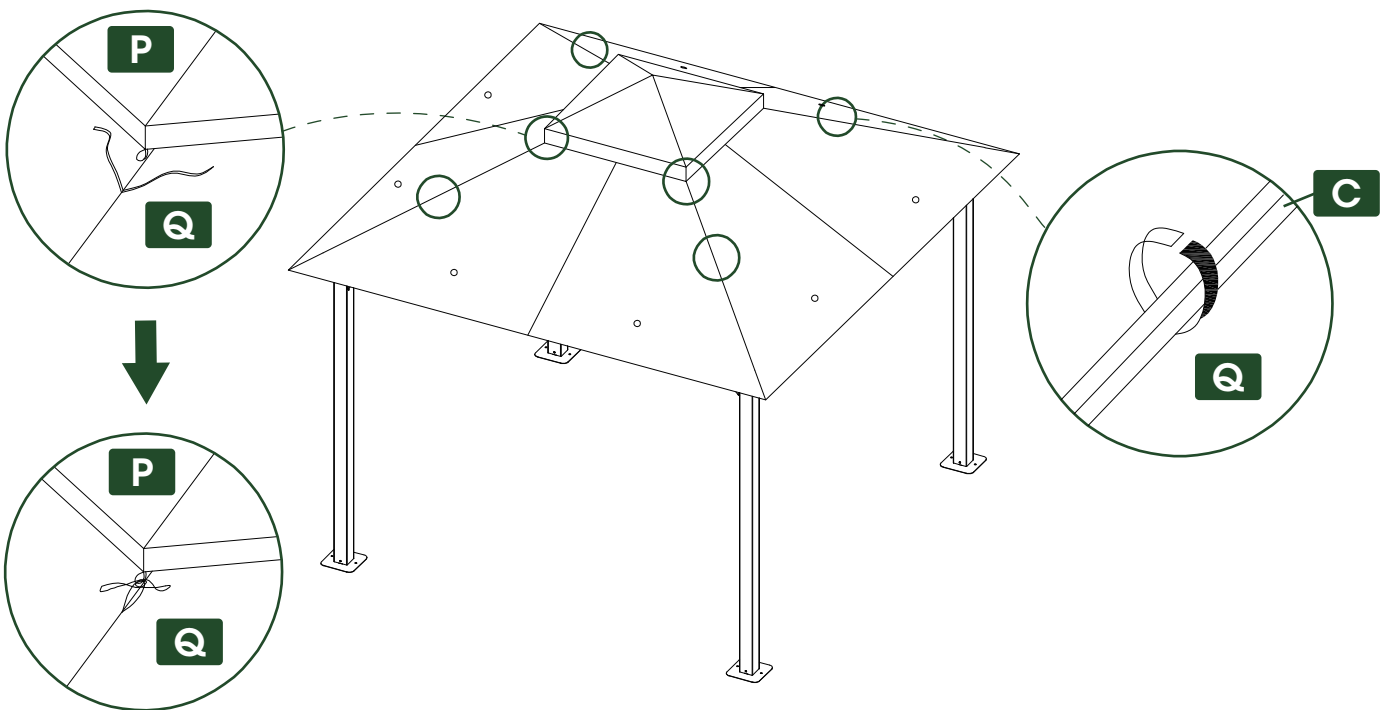
**09**  
**STEP**



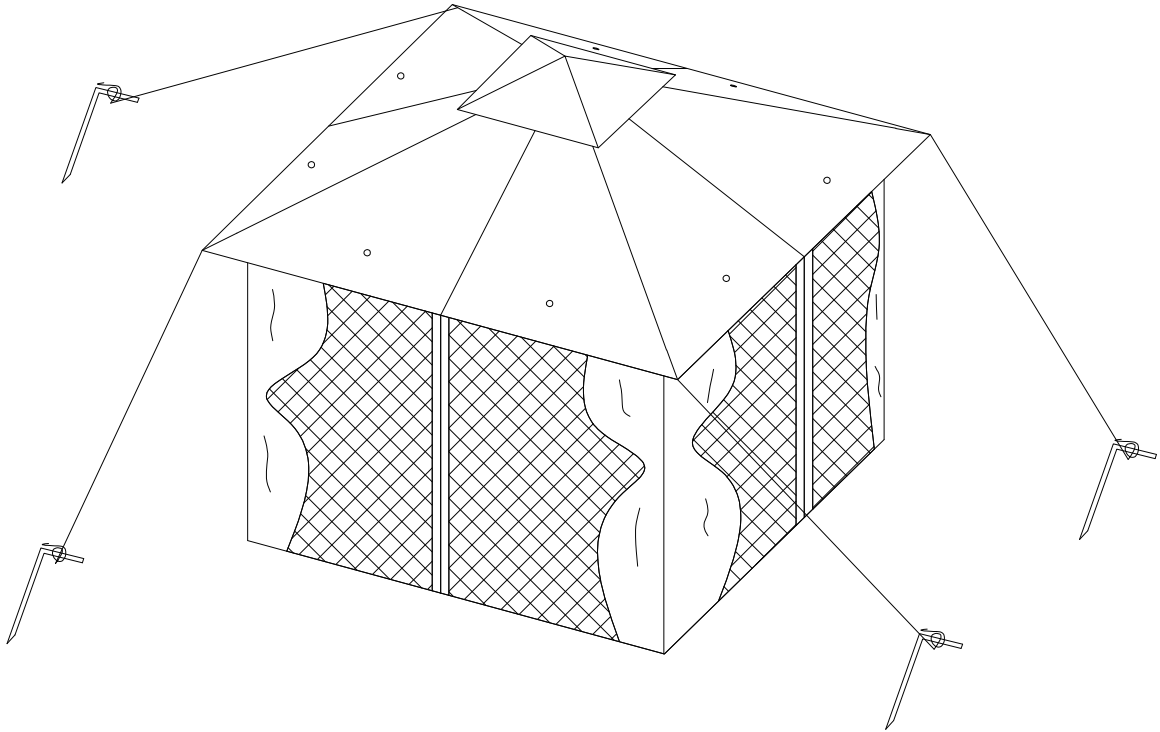
**Q** x 1



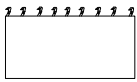
**10**  
**STEP**



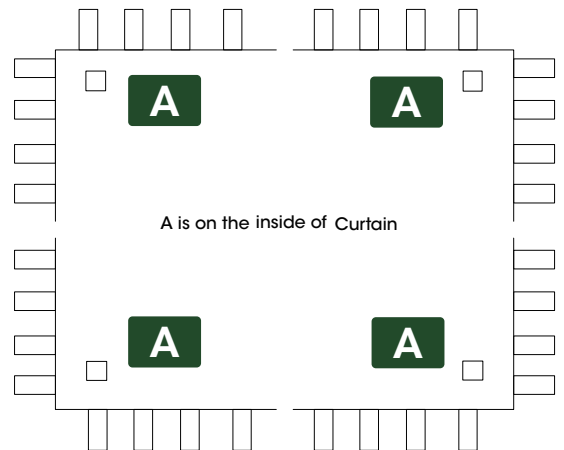
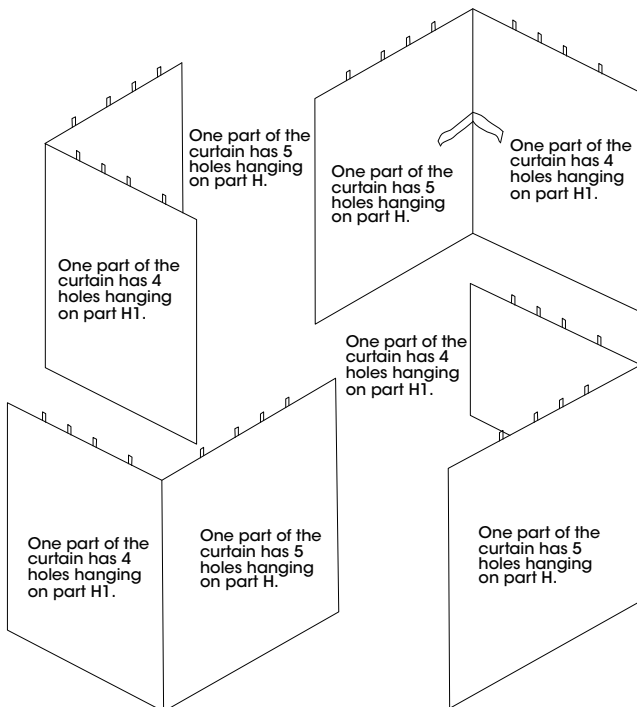
# Phase 4: Wall&Curtain&Netting



**11**  
STEP



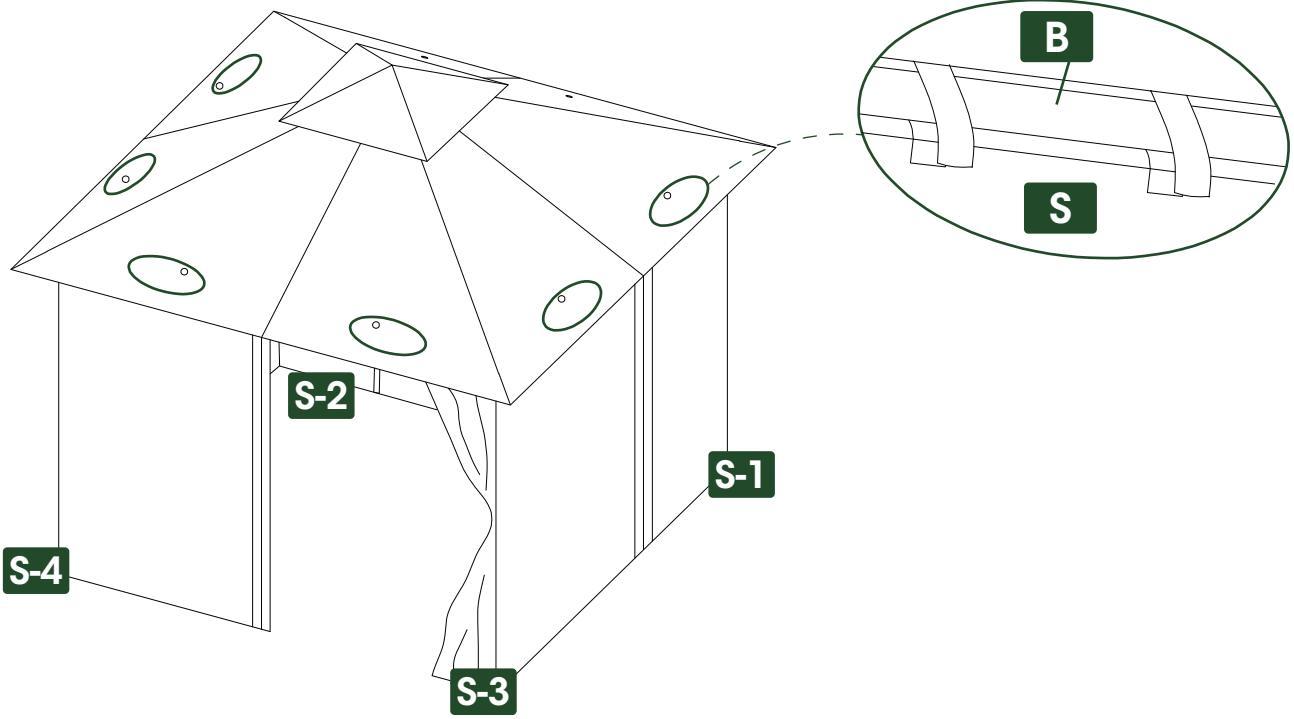
**S** X 4



# 12 STEP



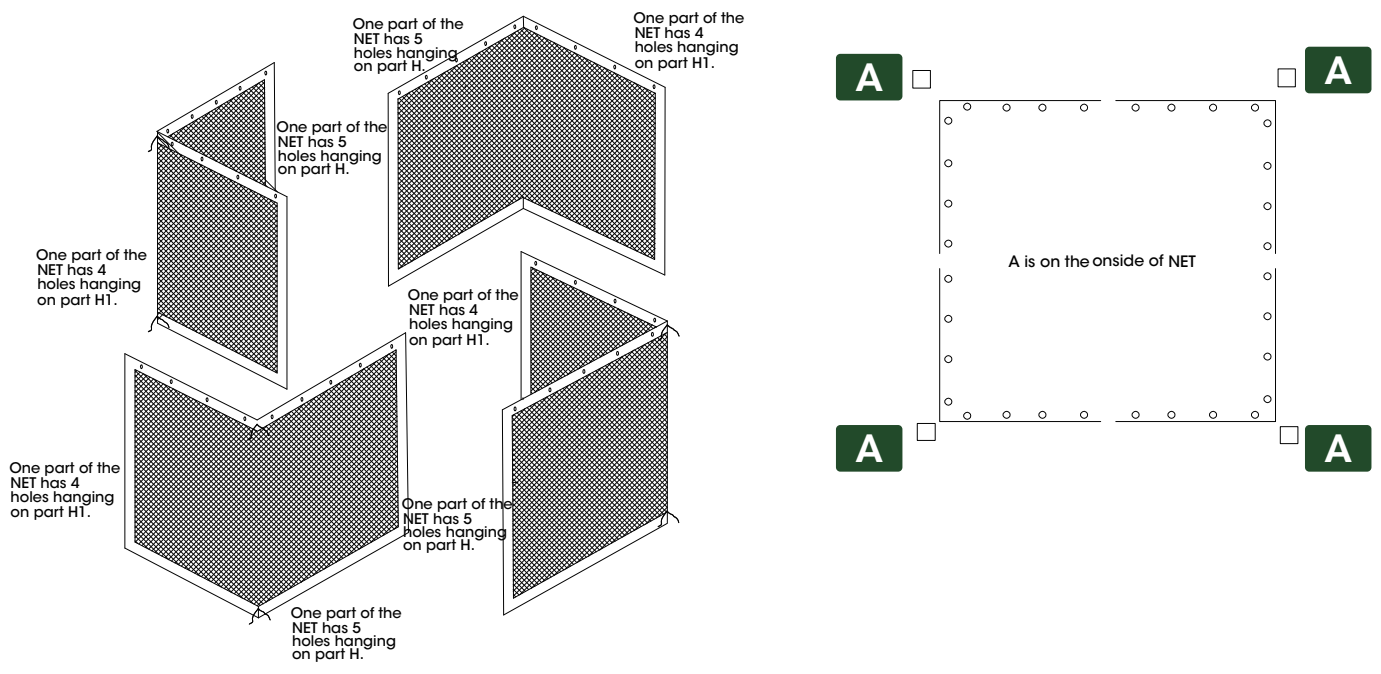
**S** X 1 (4pcs)



# 13 STEP

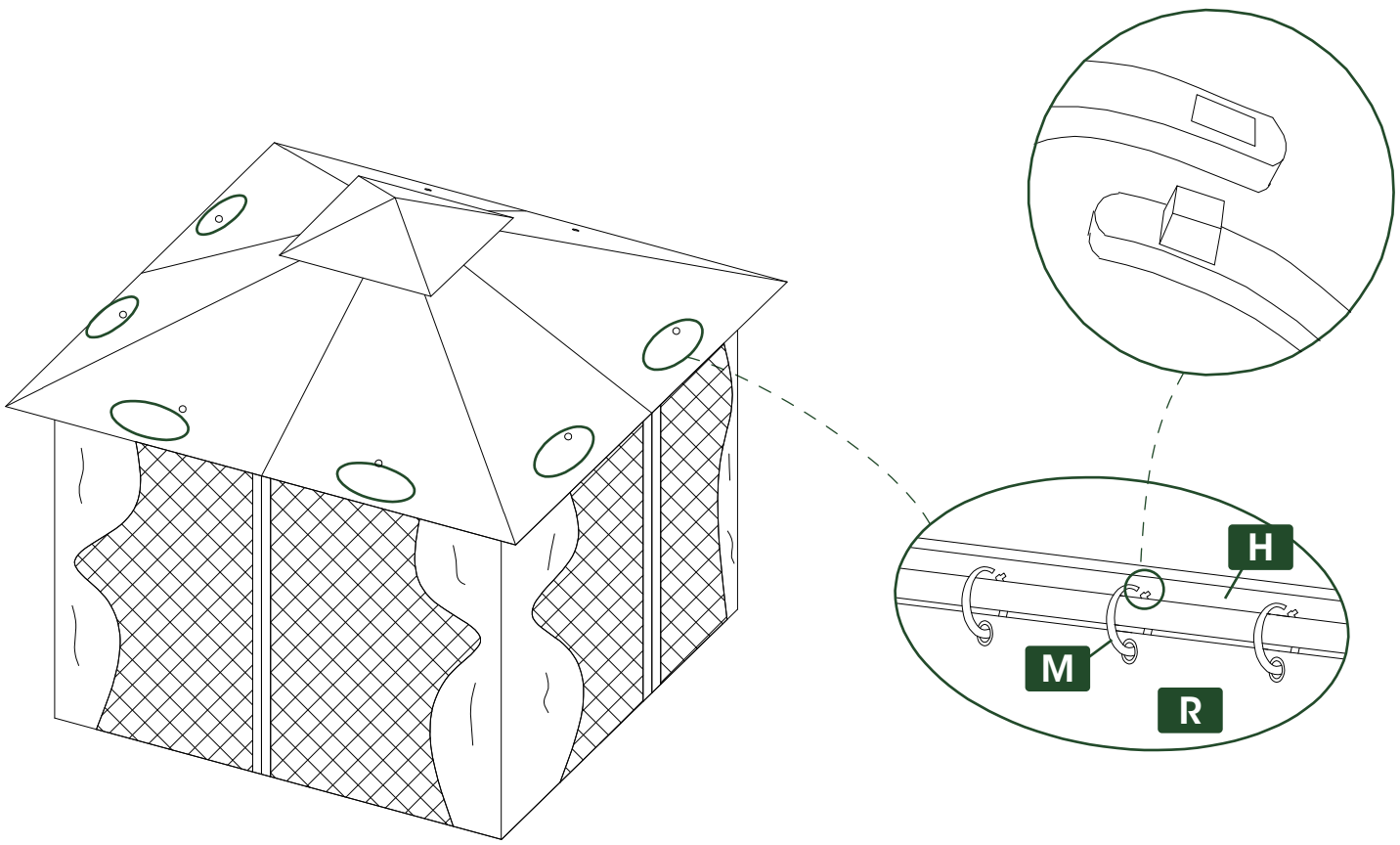


**R** X 4


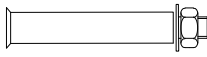


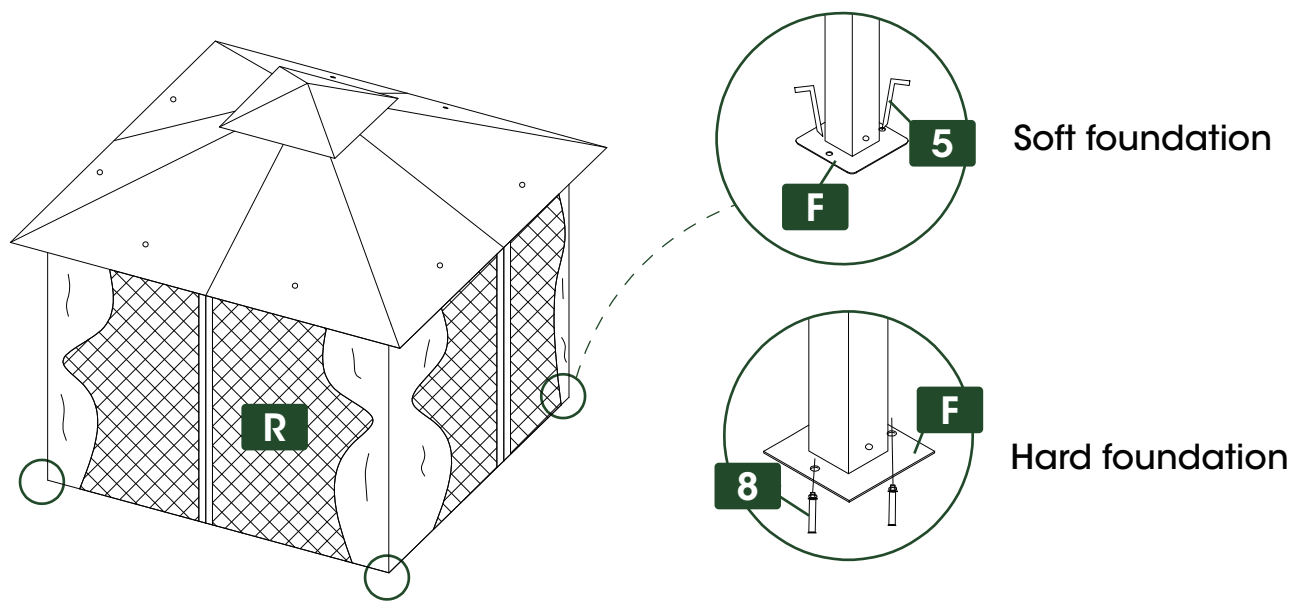
# 14 STEP


**M** X 24
 
**R** X 1 (4pcs)



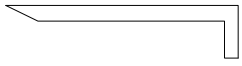
# 15 STEP


**5** X 8
 
**8** X 8



To improve wind resistance, be sure to complete this installation step. If expansion screws or ground nails are not installed, strong winds may topple the gazebo. Expansion screws are essential for stability on cement surfaces, and ground nails are for grassy surfaces. All are included in the accessories package.

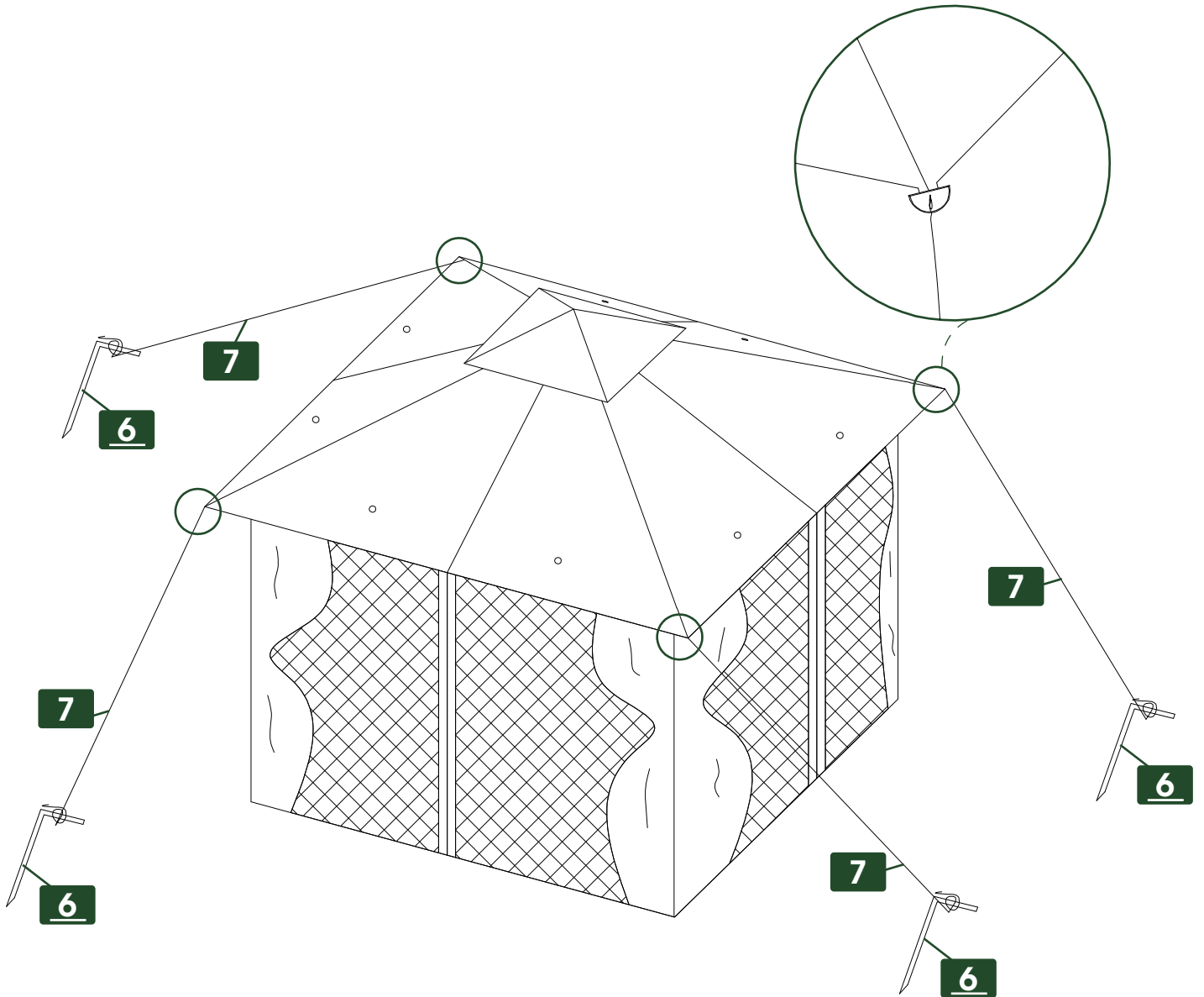
# 16 STEP



6 X 4



7 X 4



This installation step can further enhance wind resistance when used on grass. Use ropes to connect the D-shaped rings and reinforced ground nails at the four corners of the gazebo, straighten the ropes and insert the reinforced ground nails into the grass. Ropes and reinforced ground nails are included in the accessory pack.