










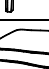

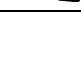
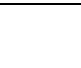
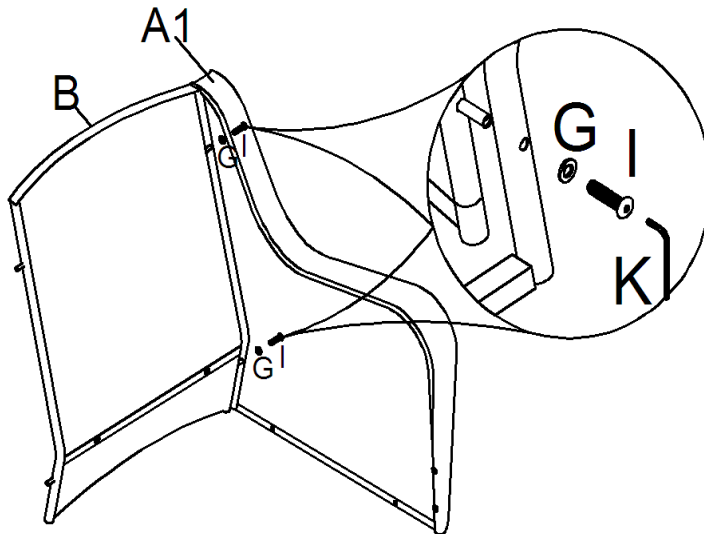


MOTION CHAIR

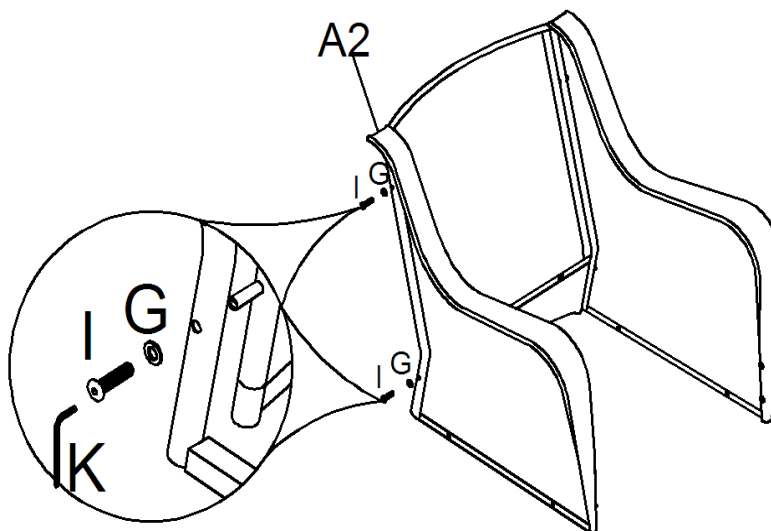
Parts List:

NO.	Part	Qty	Image	NO.	Part	Qty	Image
A1	Left Arm	1		A2	Right Arm	1	
B	Chair Back	1		C	Seat Panel	1	
D	U-shaped Fitting	1		E	Chair Base	1	
F	Spring washer	4		G	Washer	18	
H	Nut	8		I	Screw(φ6x15mm)	4	
J	Screw(φ6x35mm)	14		K	Allen Wrench	1	
L	Open end Wrench	1		M	Seat Cushion	1	
N	Back Cushion	1					

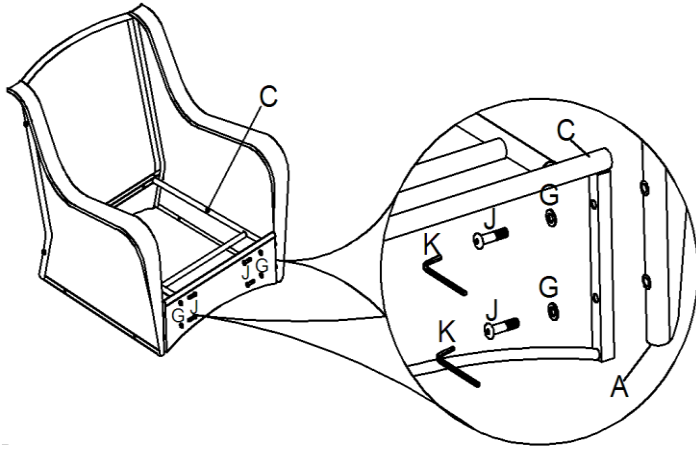
STEP 1



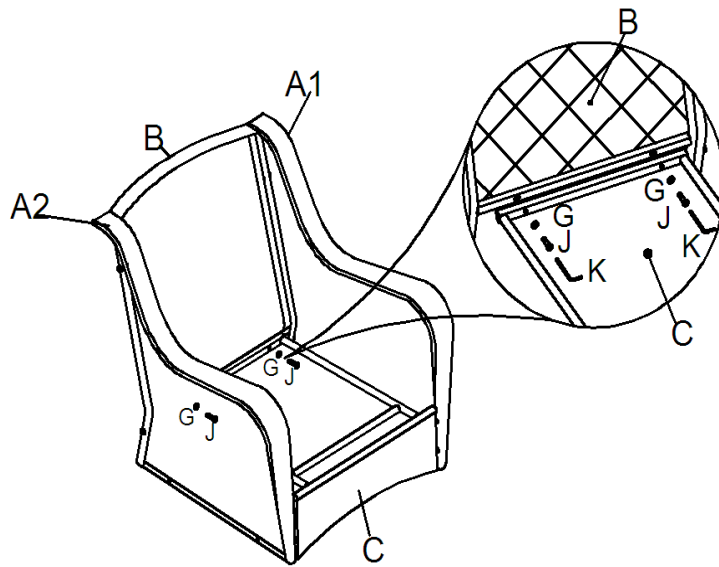
STEP 2:



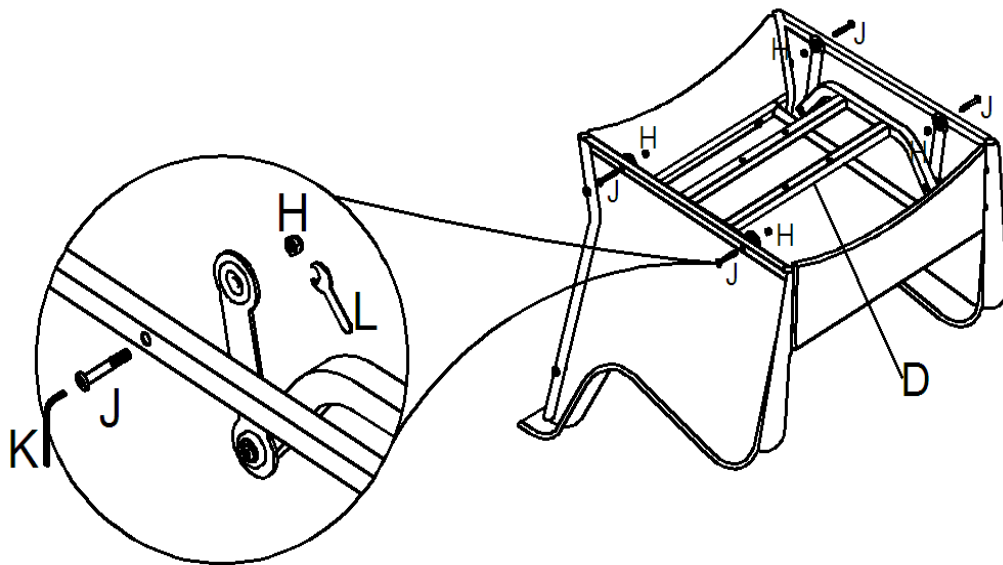
Step 3:



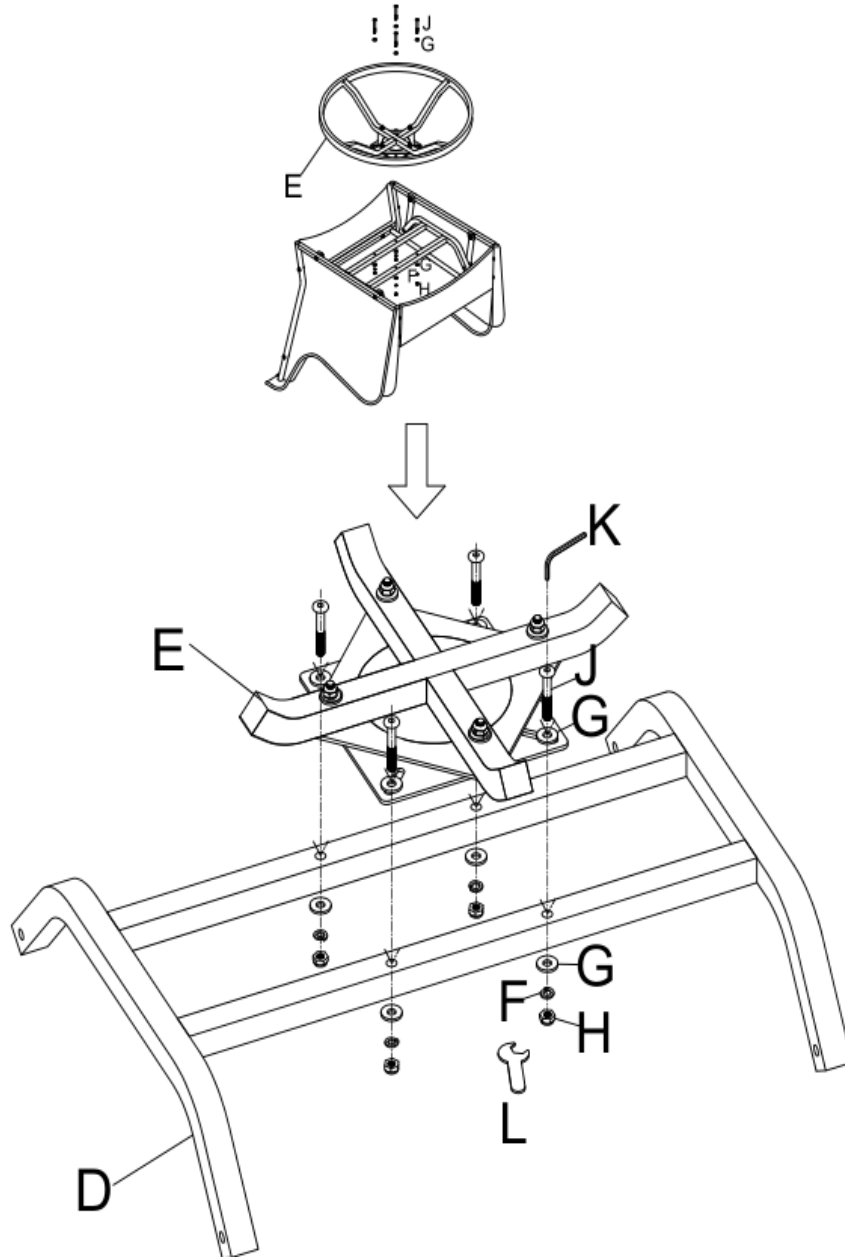
Step 4



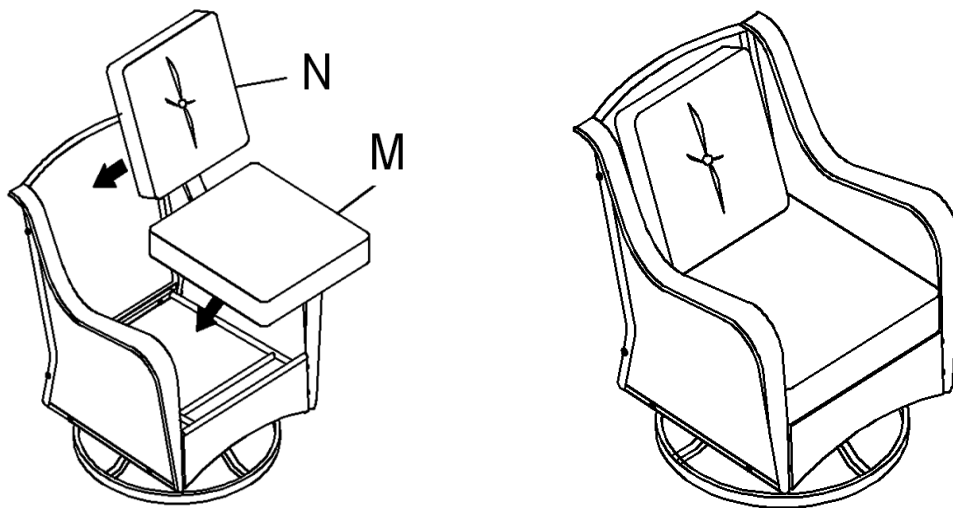
Step 5



Step 6



STEP 7



SPECIAL WARNING:








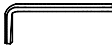
THIS CHAIR IS NOT A TOY. DON'T OVER-SWING THE CHAIR. OVER-SWING THE CHAIR MAYBE MAKE THE CHAIR TIP OVER AND RESULT IN INJURY.



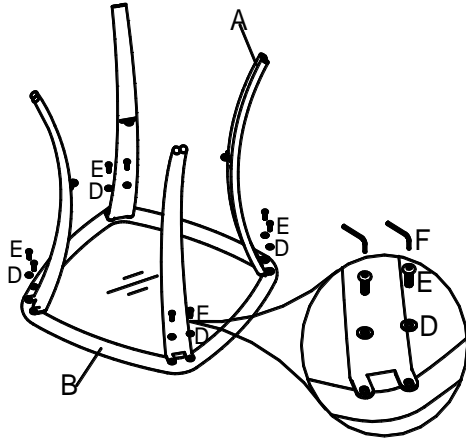
DO NOT STAND ON THE CHAIR. Any improper use of this product may result in injury.

SIDE TABLE

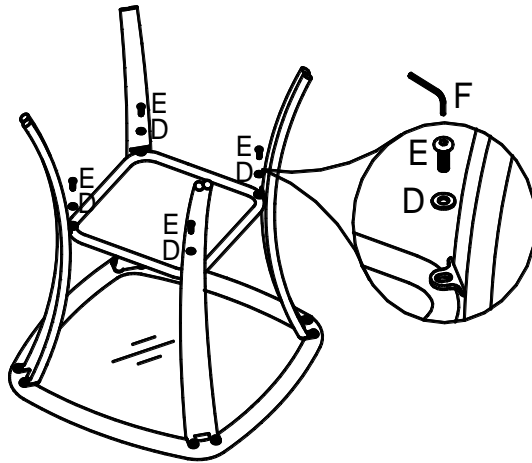
Parts List:

NO.	Part	Qty	Image	NO.	Part	Qty	Image
A	Table Leg	4		B	Glass Table Top	1	
C	Table Tray	1		D	Washer	12	
E	Screw(φ6x12mm)	12		F	Allen Wrench	1	

STEP 1



STEP 2



STEP 3

