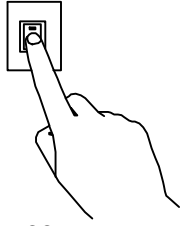


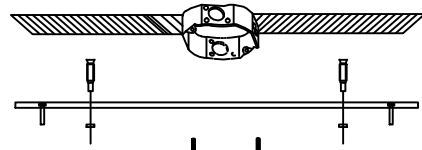
# Installation Instruction

1



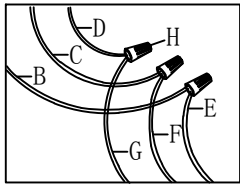
turn off the power.

2



install mounting bracket

3

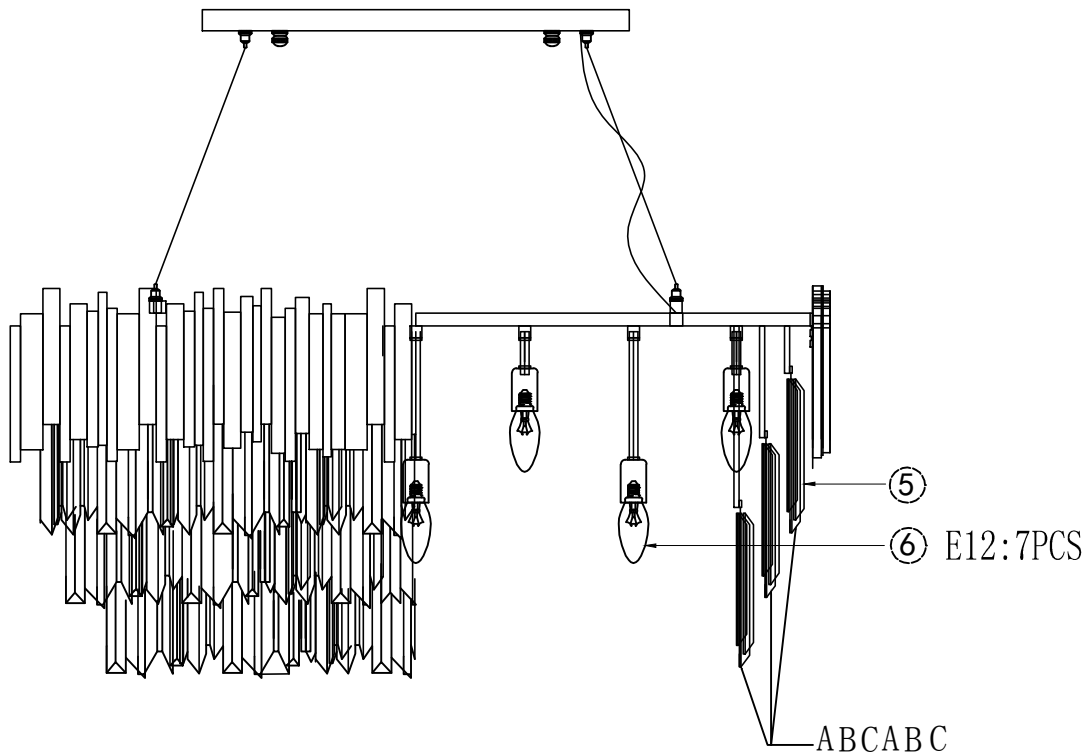
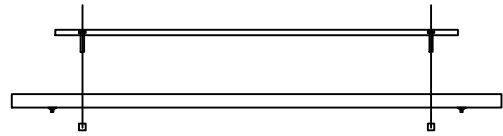


Wire connection

B-Black wire(L) from junction box  
 C-White wire(N) from junction box  
 D-Green wire or bare copper from junction box  
 B-Black wire(L) from fixture  
 F-White wire(N) from fuxture  
 D-Green wire or bare copper from fixture  
 H-wire connector x 3

Conect wires

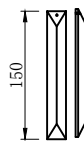
4



A 22\*180mm :78 Pcs



B 22\*165mm:78 Pcs



C 22\*150mm:78 Pcs