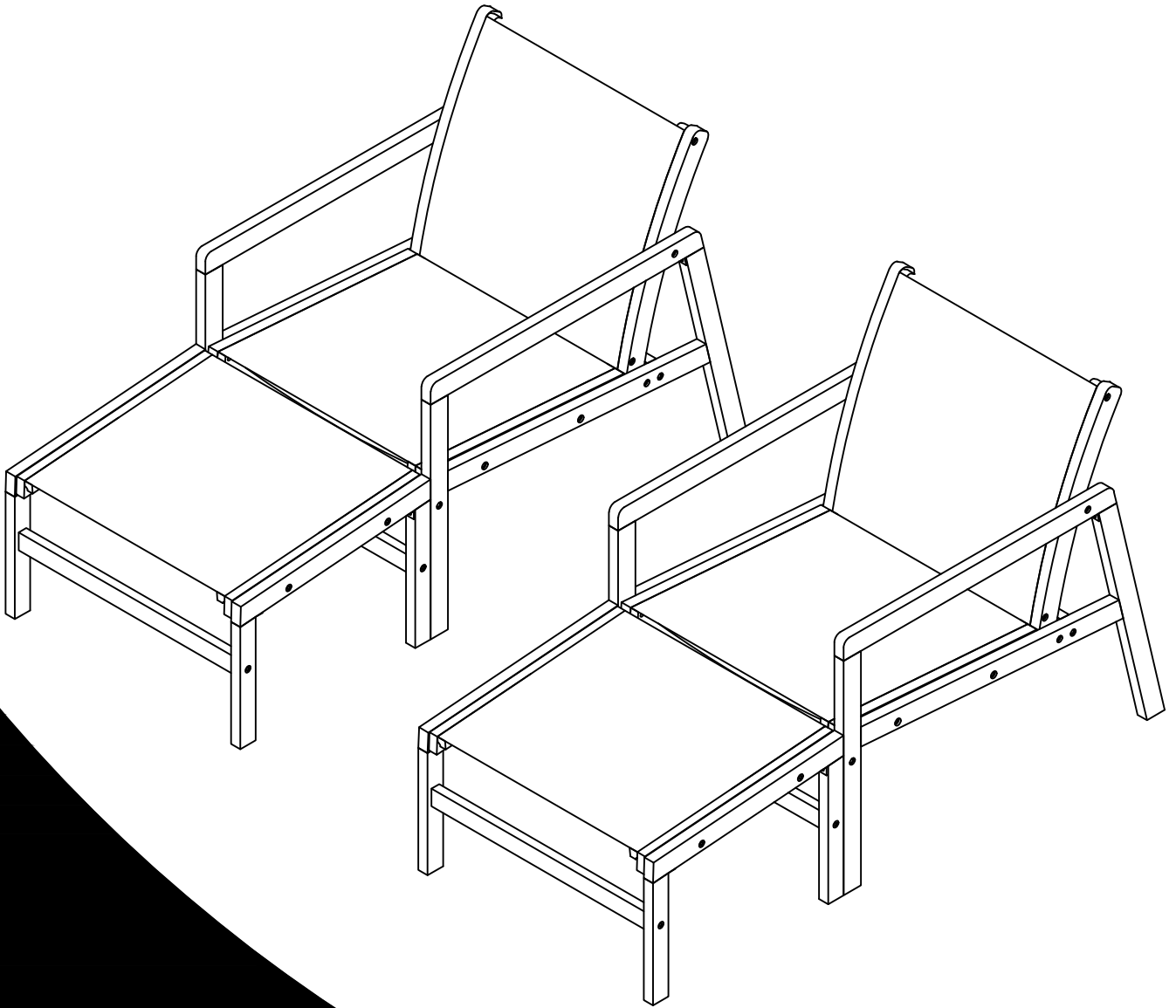


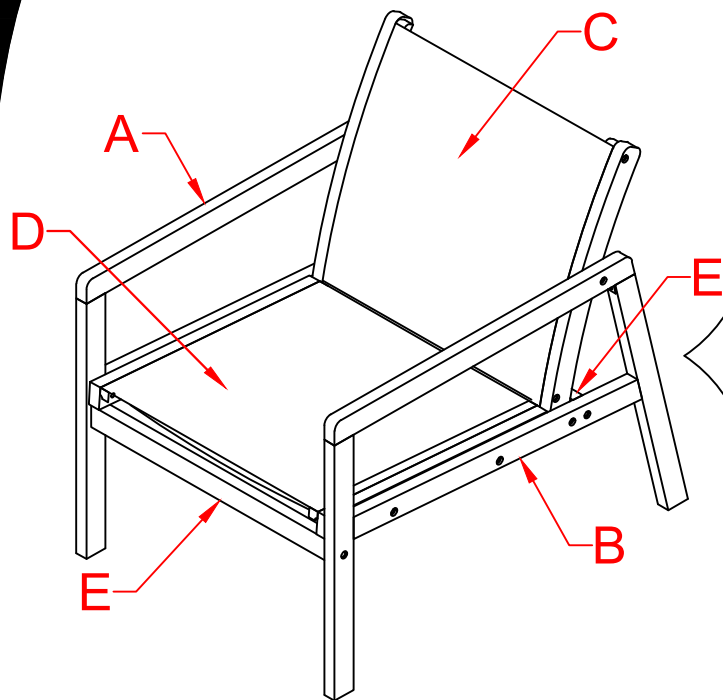
ASSEMBLY INSTRUCTIONS

- Armchair and Ottoman



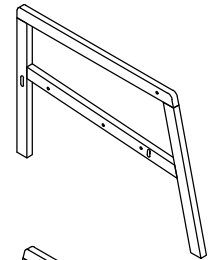
Parts

Check and make sure you get the components on the list, contact us for any missing



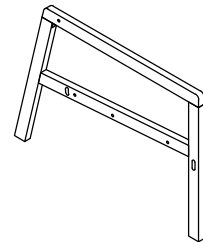
● 2-Armchair

A : Right Armrest



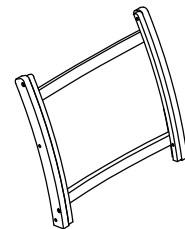
2 Pcs

B : Left Armrest



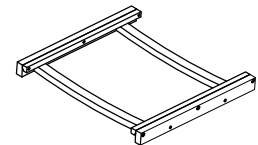
2 Pcs

C : Back Chair



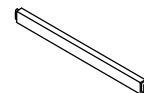
2 Pcs

D : Seat Chair



2 Pcs

E : Support Chair



4 Pcs

● 1: Screw Bolt M7 x 60



8 Pcs

● 2: Bolt M6 x 40mm



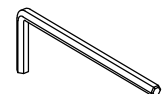
16 Pcs

● 3: Sleeve Nut M6 x 15



16 Pcs

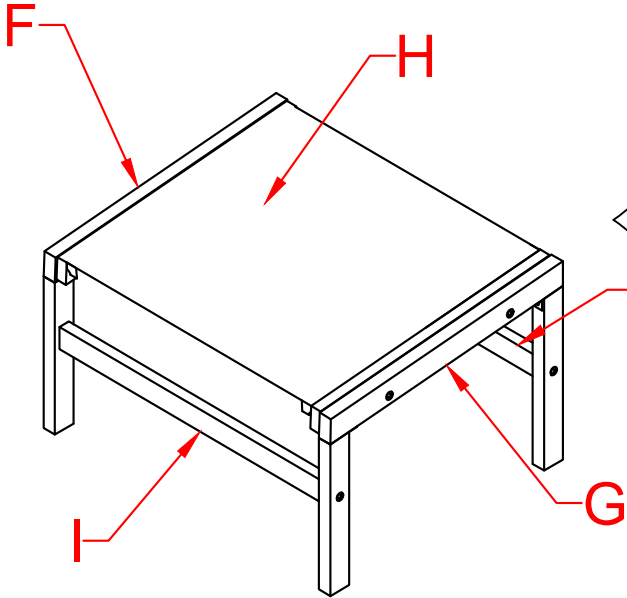
● 4 : Allen Key



4 Pcs

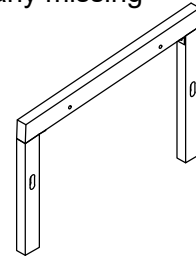
Parts

Check and make sure you get the components on the list, contact us for any missing



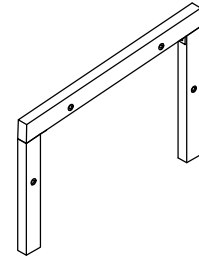
● 2-Ottoman

F : Right Leg OT



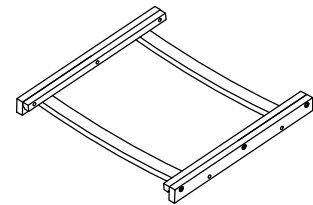
2 Pcs

G : Left Leg OT



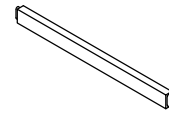
2 Pcs

H : Seat OT



2 Pcs

I : Support OT



4 Pcs

● 1: Screw Bolt M7 x 60



8 Pcs

● 2: Bolt M6 x 40mm



8 Pcs

● 3: Sleeve Nut M6 x 15



8 Pcs

Notice:

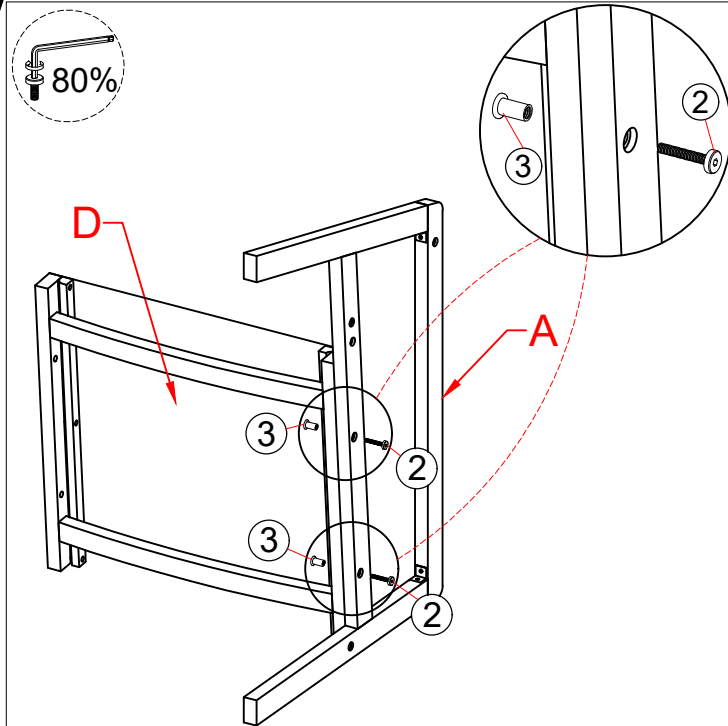
1. 50% Tighten before fixing all screws, Allen wrench is recommended instead of an electric drill.
2. Place the item on a flat ground to adjust and make sure it remains stable.
3. Tighten up all screws with tools gradually.
4. If the screws are not aligned with holes during assembly, please loosen all the other screws to 50% and continue the assembly process.
5. If the item is not stable, please loosen all the screws, adjust it on a flat ground and tighten up all screws again.
6. Note : If one or some screws are fully tightened during assembly, chances are the others will not be aligned with holes. In addition, all the holes are designed to be relatively larger to provide more space for the adjustment of the screws.



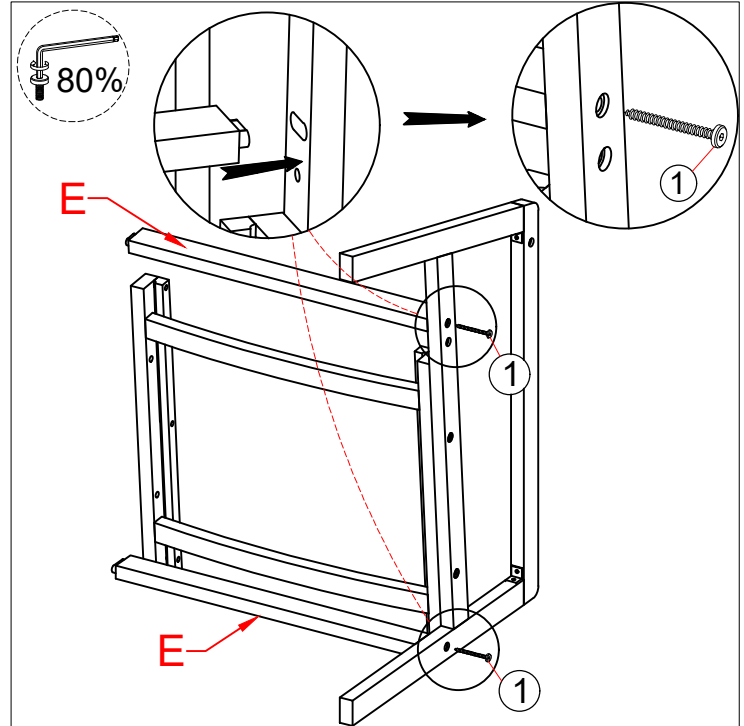
For successful installation, When installing, please do not tighten the screws once, when the screws are all installed, a unified tighten all the screws

Installation step

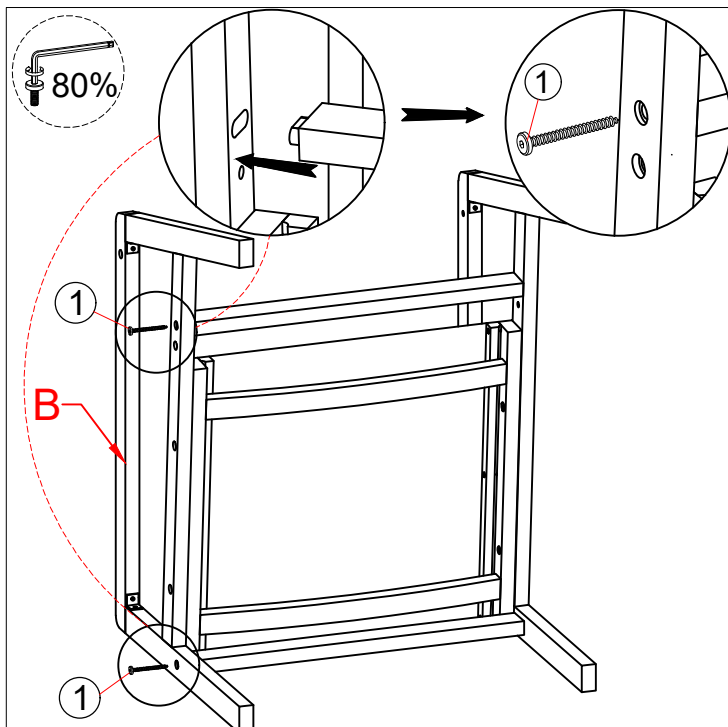
For successful installation, When installing, please do not tighten the screws once, when the screws are all installed, a unified tightten all the screws



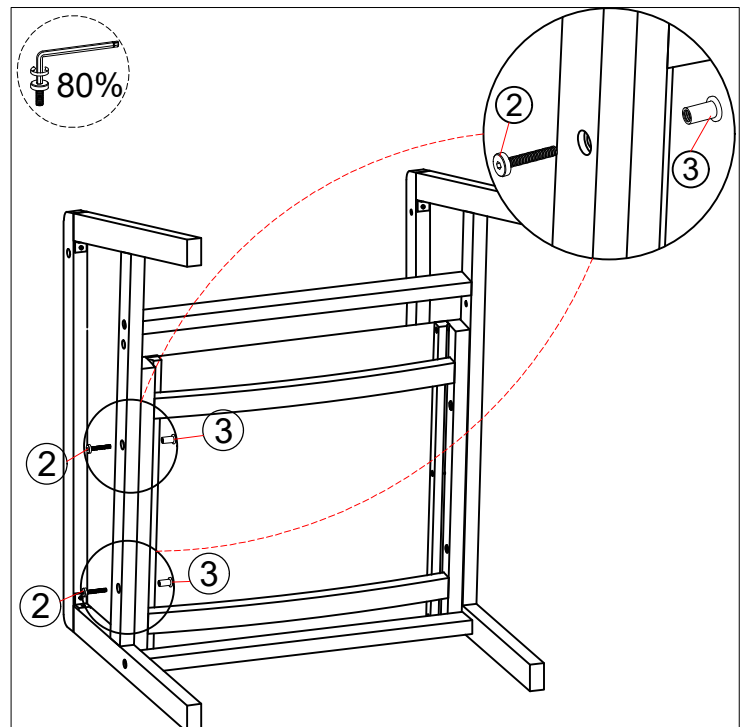
Step 1: Connect Right Armrest (A) & Seat Chair (D), tighten Bolt (2), Sleeve (3) with Allen Key (4).



Step 2: Connect The Part from Step 1 & Support Chair (E), tighten Screw Bolt (1) with Allen Key (4).



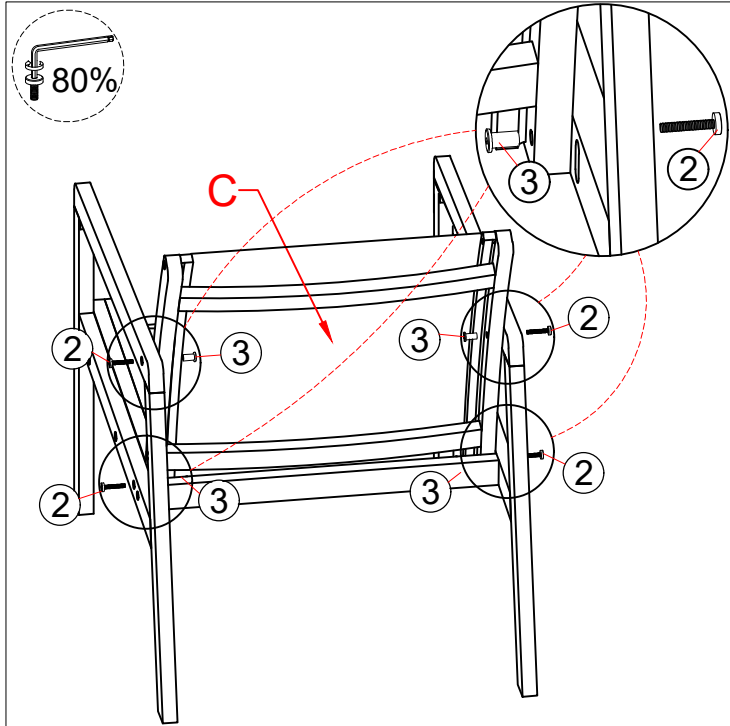
Step 3: Connect The Part from Step 2 & Left Armrest (B), tighten Screw Bolt (1) with Allen Key (4).



Step 4: Connect The Part from Step 3, tighten Bolt (2), Sleeve (3) with Allen Key (4)

Assembly steps

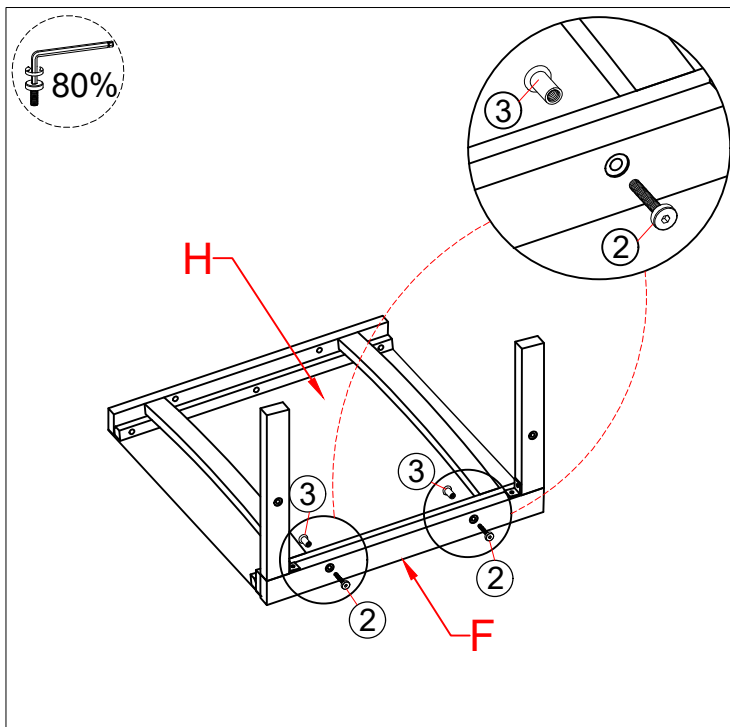
Tips : DO NOT tighten any screws until all the parts are put together.



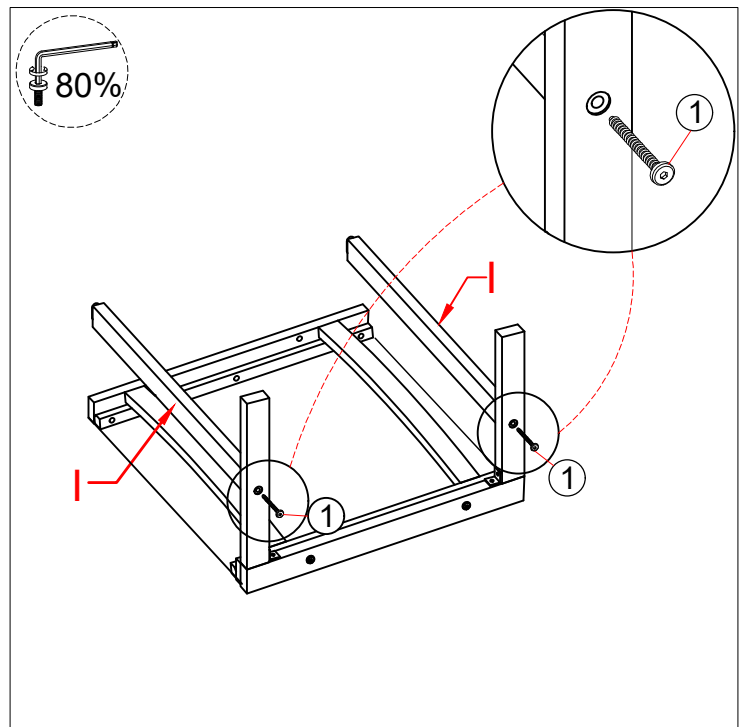
Step 5: Connect The Part from Step 4 & Back Chair (C), tighten Bolt (2), Sleeve (3) with Allen Key (4)



Step 6: Put the Chair upright and make sure all legs are level, then firmly tighten Bolts with Allen Key (4)



Step 7: Connect Seat OT (H) & Right Leg OT (F), tighten Bolt (2), Sleeve (3) with Allen Key (4).



Step 8: Connect The Part from Step 7 & Support OT (I), tighten Screw Bolt (1) with Allen Key (4).

Assembly steps

Tips : DO NOT tighten any screws until all the parts are put together.

