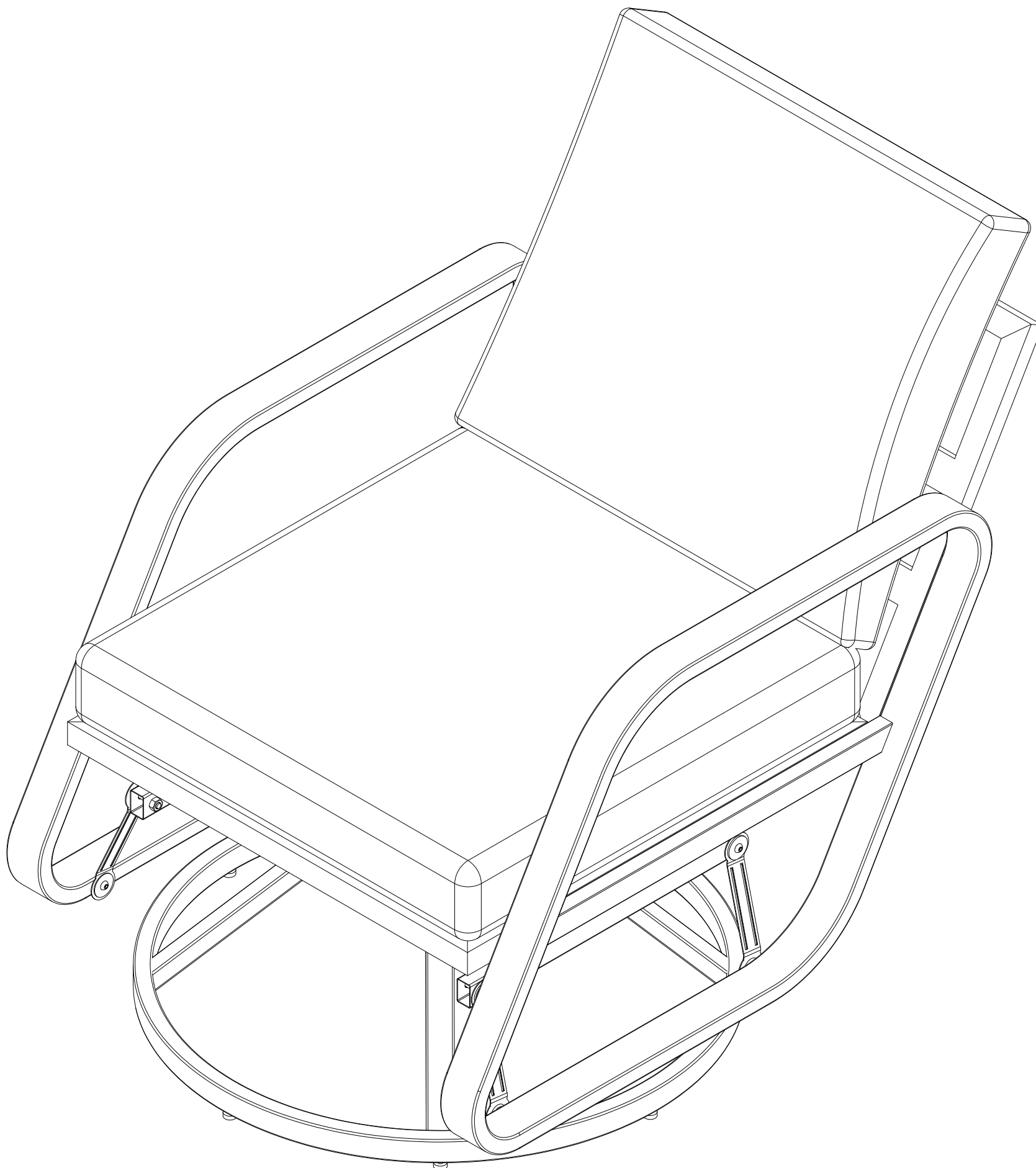


WARRANTY INFORMATION

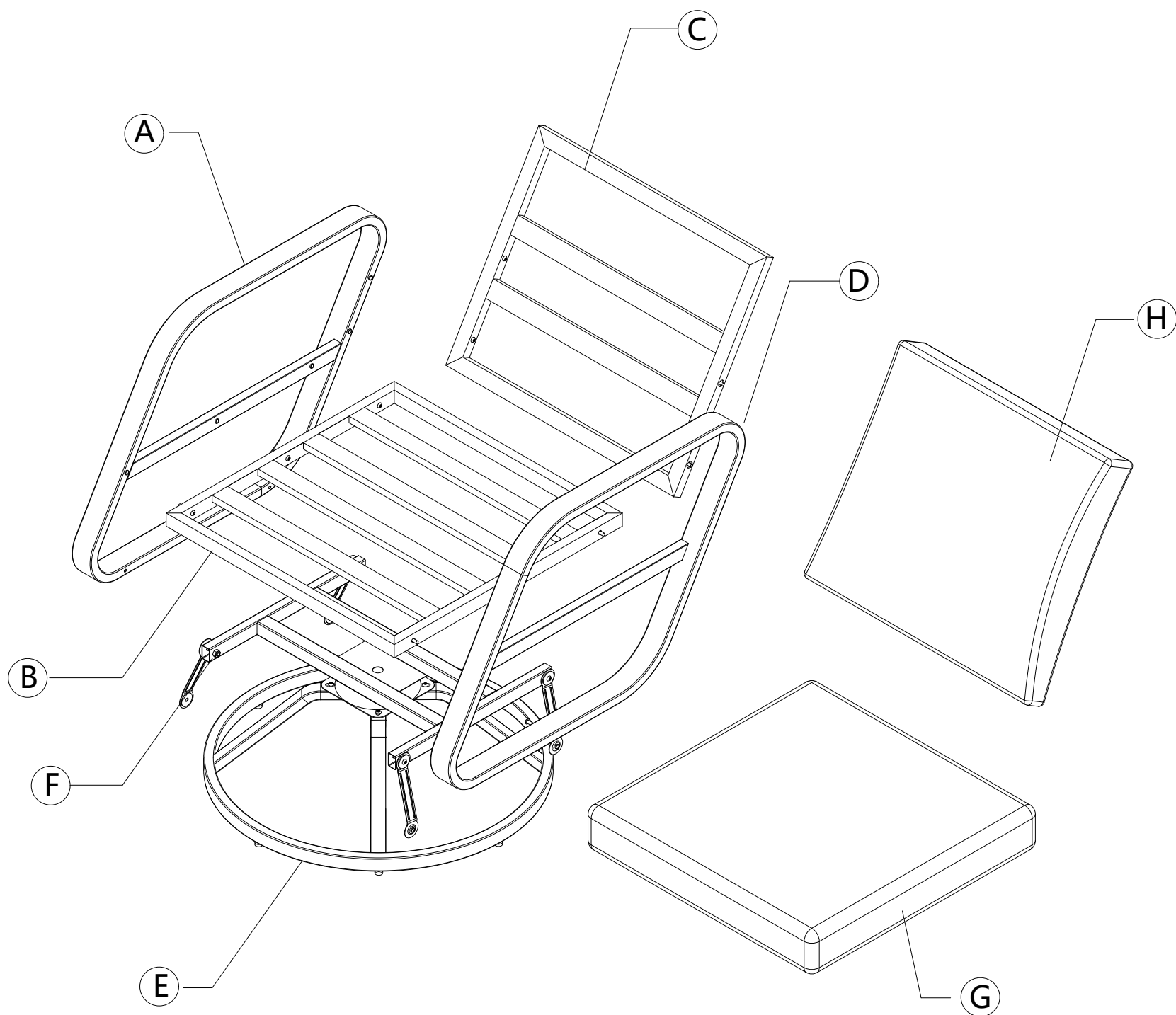
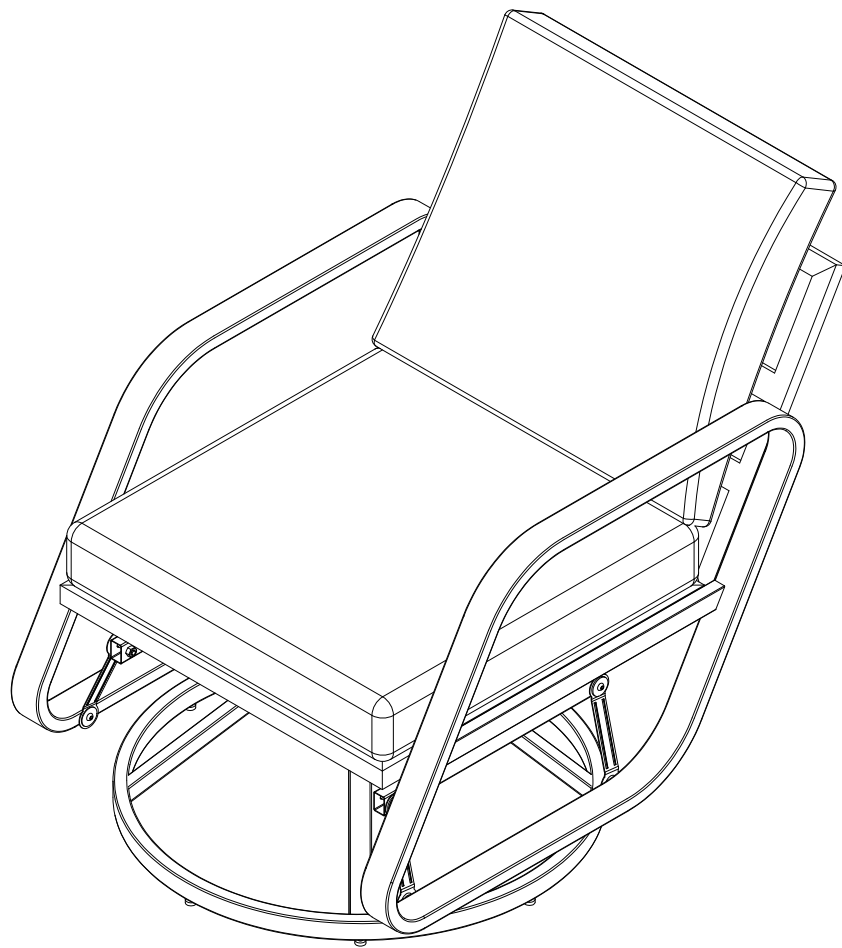
- Do not expose surface to direct sunlight or extreme environmental conditions.
- It is recommended to clean the surface with a clean damp cloth and dry it with a clean towel.
- Do not use solvents or abrasive materials to clean the device. If you decide to use a cleaning agent, please test it on an unseen area first.
- Replacement parts might be available to you at no charge with an original proof of purchase and where a defect has arisen, wholly or substantially, as a result of faulty manufacturing, parts or workmanship during the Warranty Period.
- The warranty does not extend to regular wear and tear, incorrect assembly, improper use or modification. The manufacturer also assumes no liability for damage or consequences resulting from accidents.
- Thank you very much for your support! We hope you enjoy your purchase.

If there is any damage or accessories missing, please feel free to contact us for free replacement or refund. You can find us through the order number page and we will try our best to solve the problem for you.
- The cushion needs to be restored to 90% within 24 hours after unpacking, and to 100% after 48 hours.
- THANK YOU!

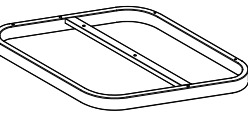
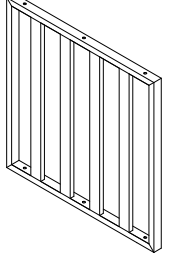
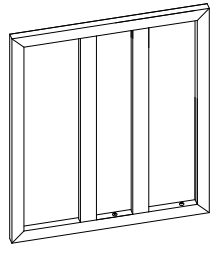
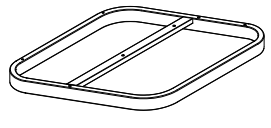
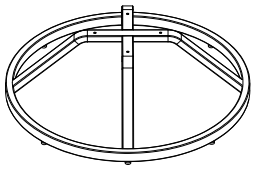
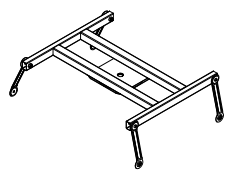
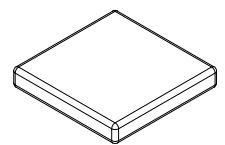
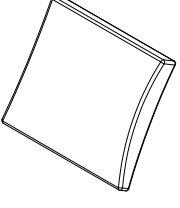
Product Display

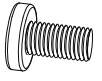
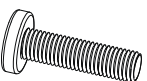
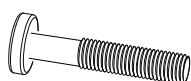

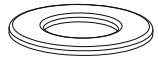


Product Installation Instructions

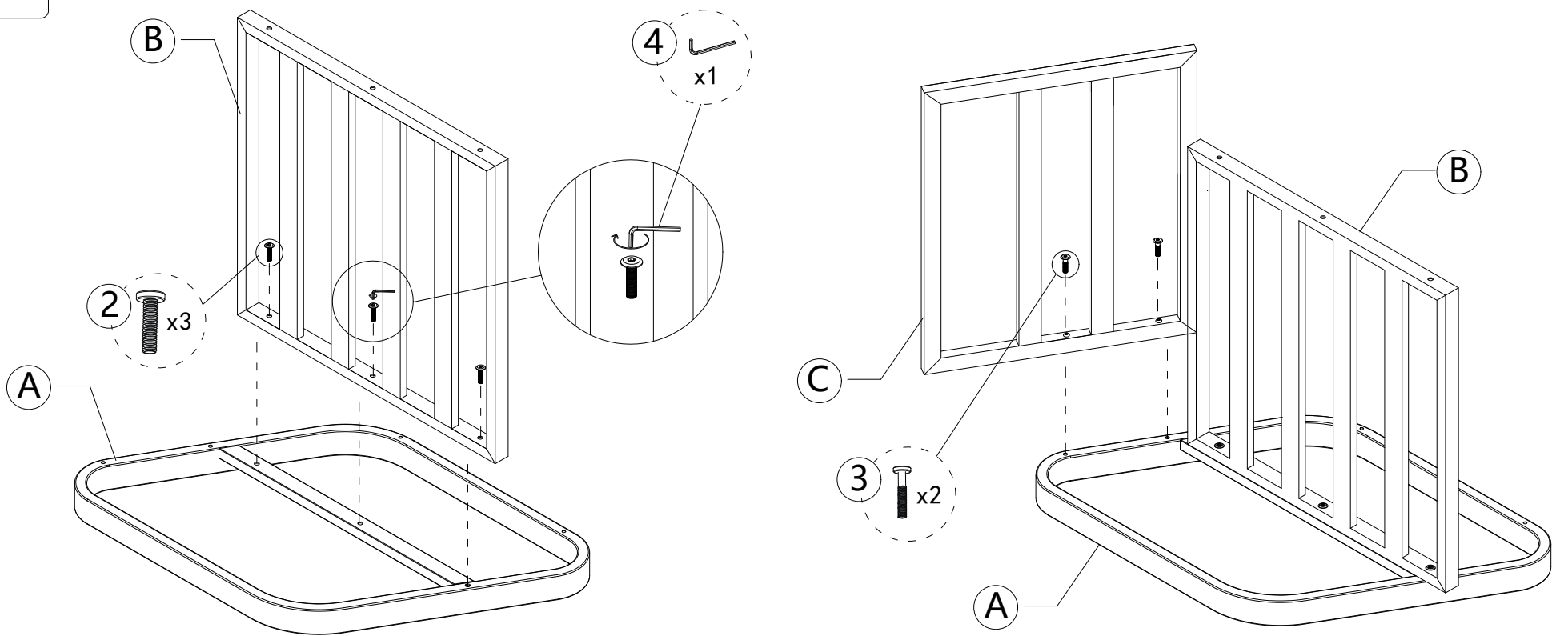


Assembly Instruction

A	B	C	D	E	F	G	H
							
1PCS	1PCS	1PCS	1PCS	1PCS	1PCS	1PCS	1PCS

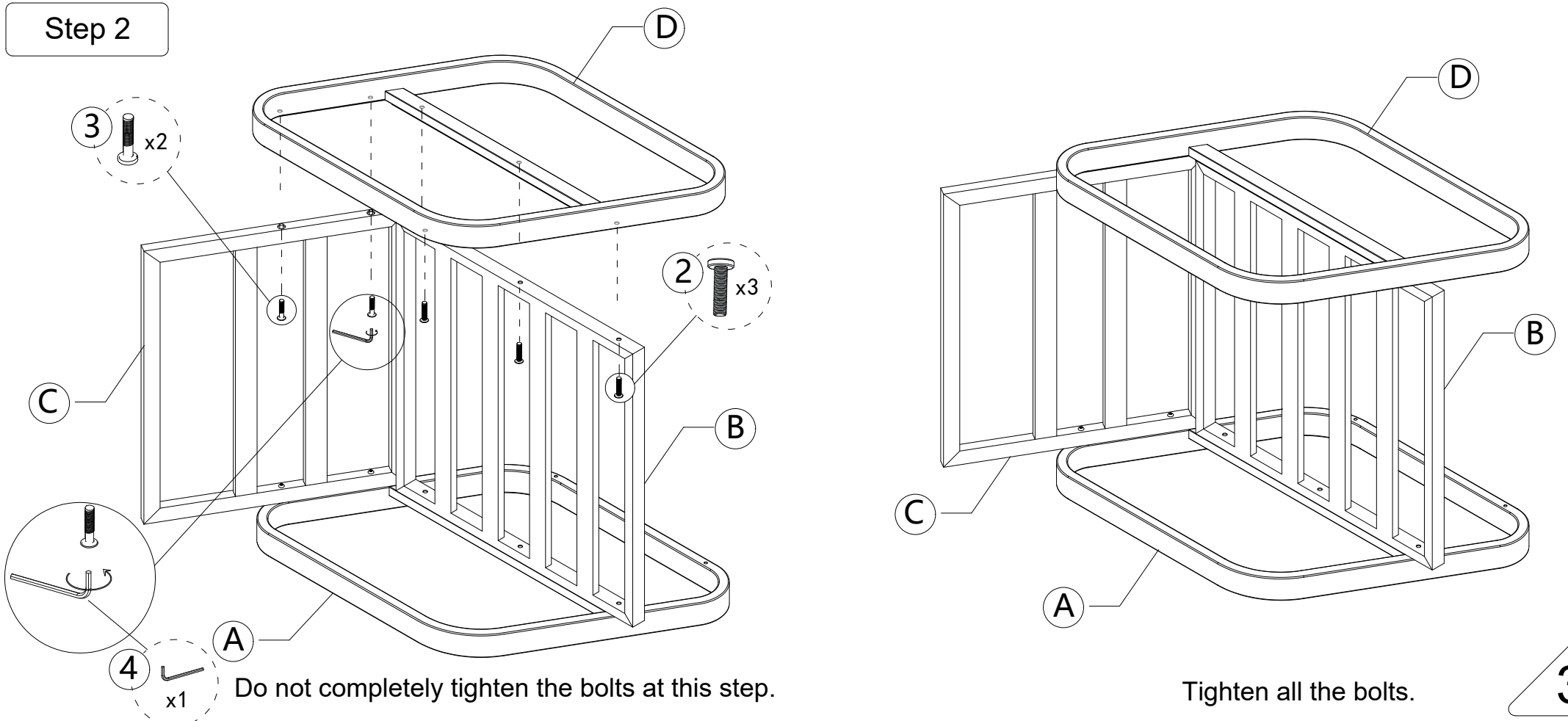
1	2	3	4	5
				
M6*15	M6*35	M6*45		
4PCS	14PCS	4PCS	1PCS	4PCS

Step 1



Do not completely tighten the bolts at this step.

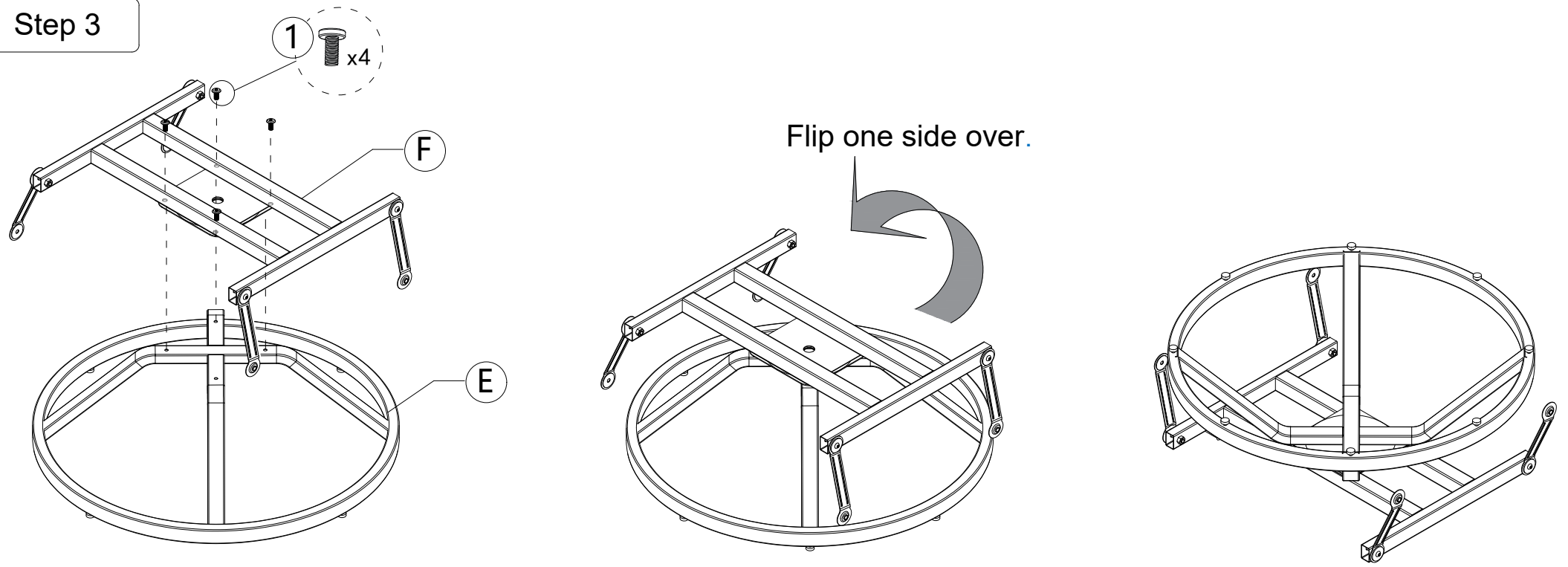
Step 2



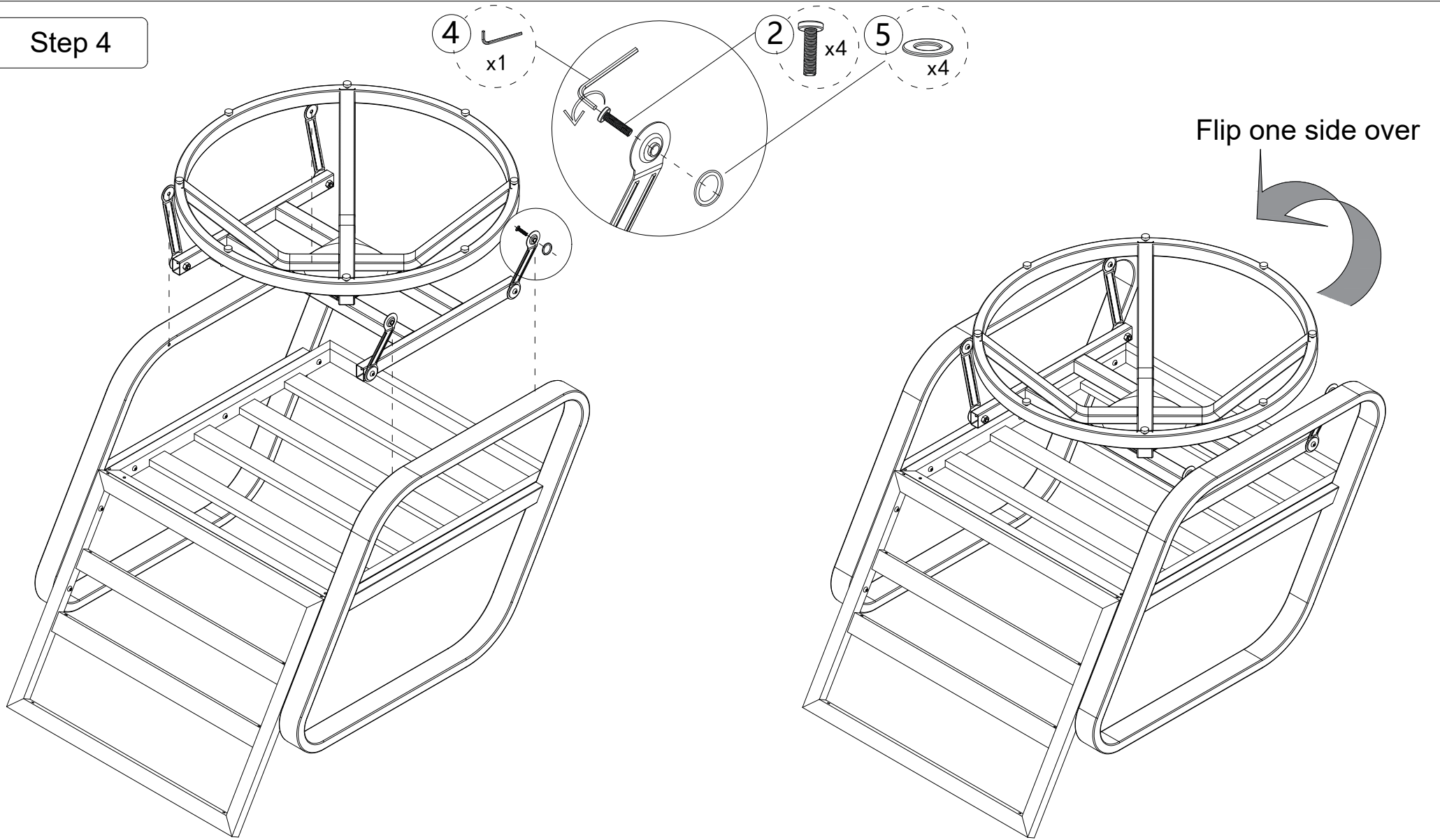
Do not completely tighten the bolts at this step.

Tighten all the bolts.

Step 3



Step 4



Step 5

