
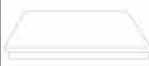







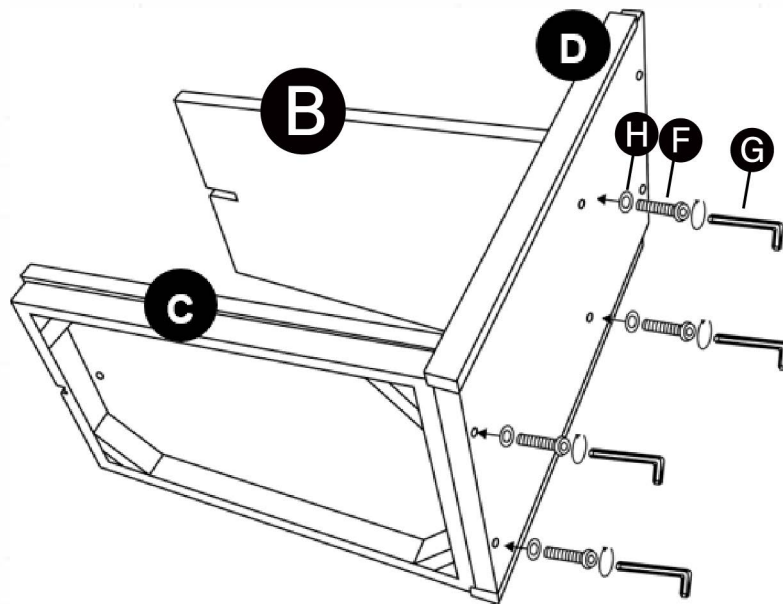


# Thank You For Shopping

We value your feedback and want to hear from you. To let us know how we can improve your shopping experience, or to ask a specific question about your order, please find our contact information below.

 <b>Assembly Instructions</b>											
Laying out all parts and hardware, identifying each part as shown may help you assemble the table.											
ITEM	PART	DESC.	QTY	ITEM	PART	DESC.	QTY	ITEM	PART	DESC.	QTY
A		Table Top	1	D		Back Panel	1	G		Allen Wrench	1
B		Middle Shelf	1	E		Support Strip	1	H		Flat Washers	8
C		Bottom Shelf	1	F		Screws (Ø6×20mm)	8				

## STEP 1



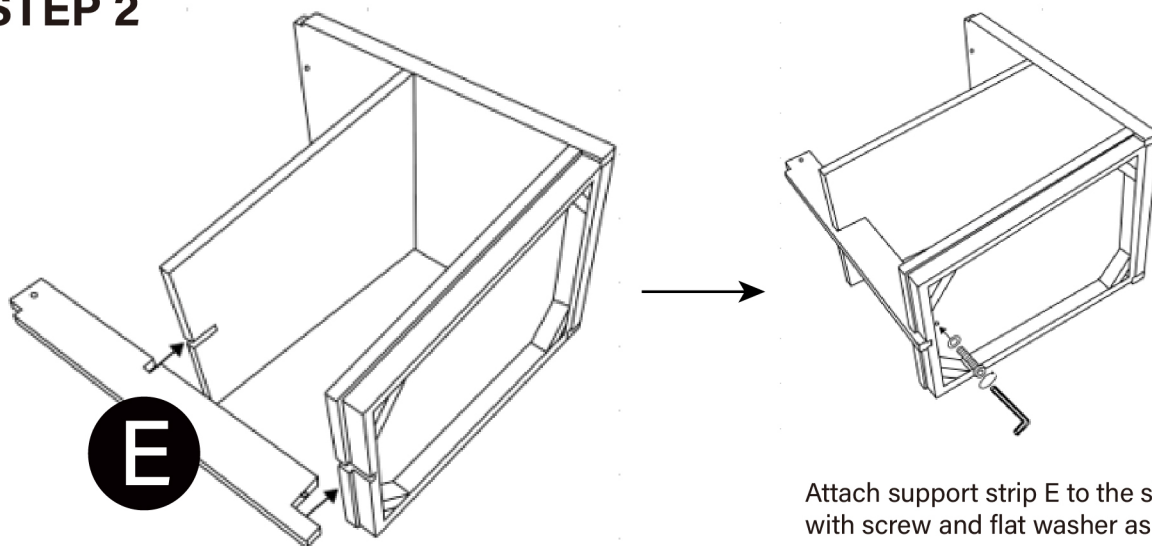
Place the back panel D on its side(long edge down) on a stable surface. Attach middle shelf B and bottom shelf C to the back panel with screws and flat washers as shown.



### WARNING

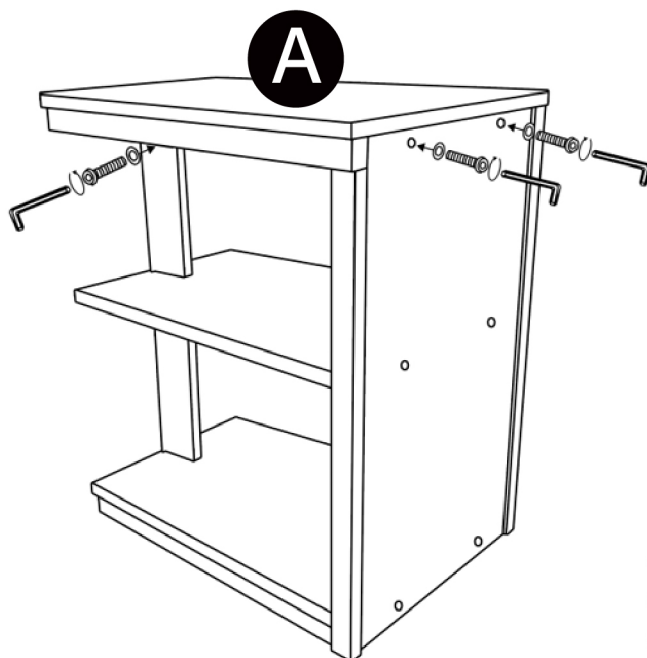
- Do not dispose of any packaging or contents of the shipping carton until assembly is completed to avoid accidentally discarding small parts or hardware.
- Choking Hazard - Adult assembly required. It may contain small parts and sharp points.
- Do NOT use power tools.
- This product can hold a maximum load of 25 Lbs. Do NOT overload.

## STEP 2



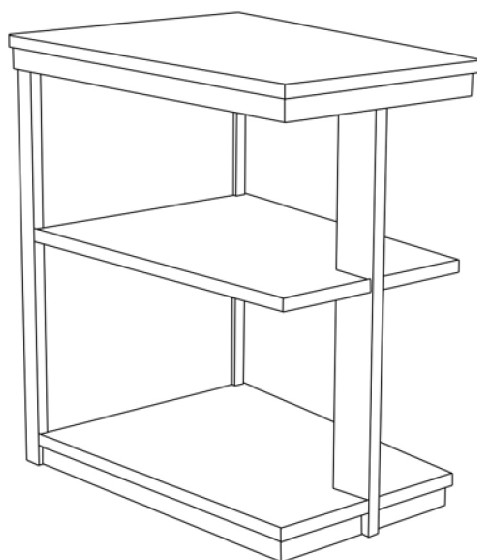
Attach support strip E to the shelves with screw and flat washer as shown.

## STEP 3



Attach table top A to both back panel and support strip with screws and flat washers as shown.

## STEP 4



Assembly completed. Please make sure all the screws are fully tightened before using this table.