


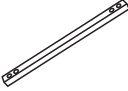




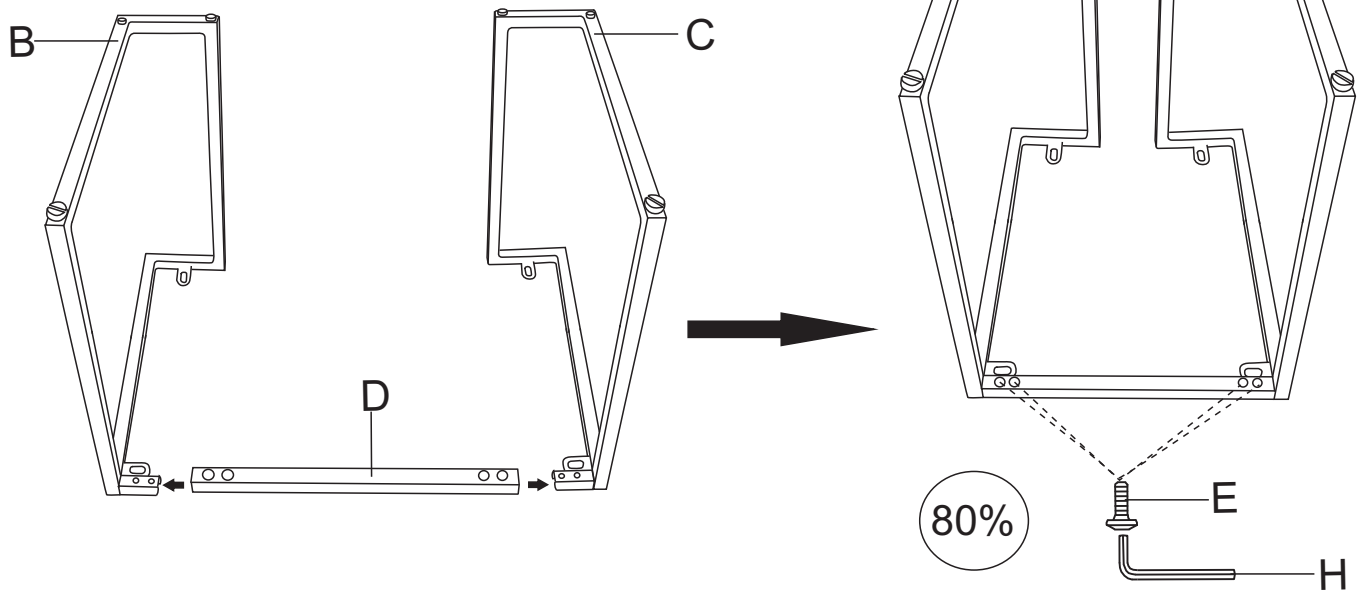


ASSEMBLY INSTRUCTION

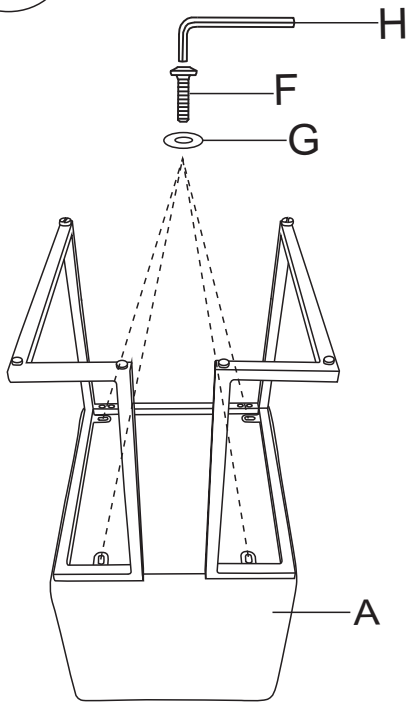
Ax1 	Bx1 	Cx1 	Dx1 	Ex4 M6*10MM 	Fx4 M6*20MM 	Gx4 6*18*1MM 	Hx1 M6 
--	--	--	--	---	---	--	--

1



2

100%



3

