
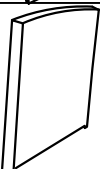

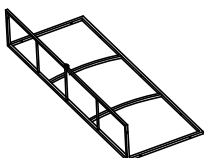
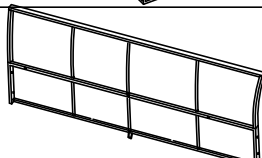
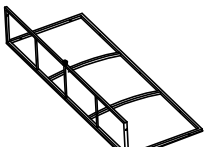
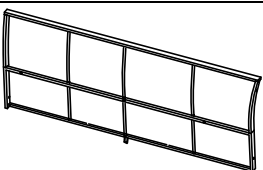





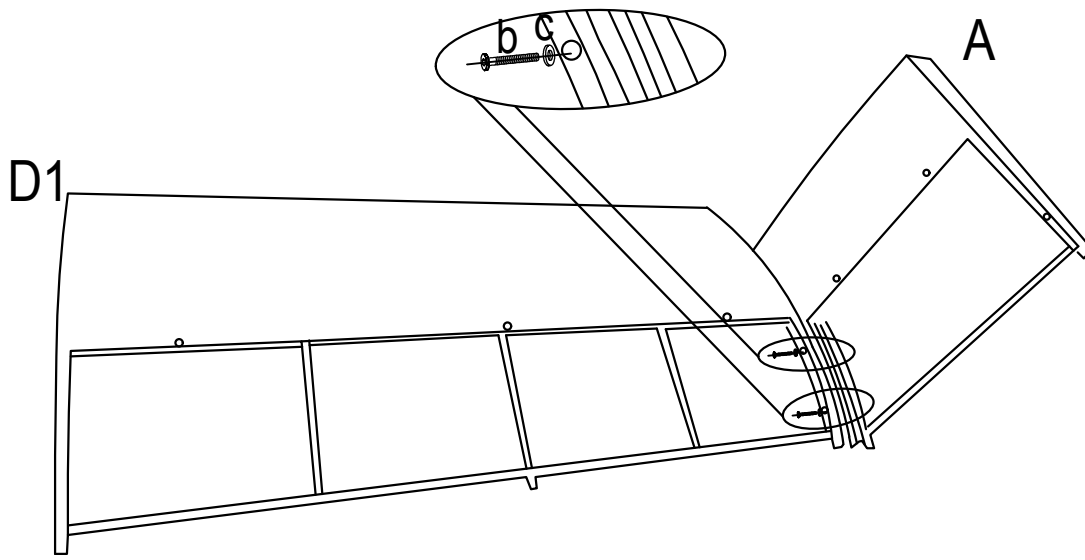


Parts Lists:

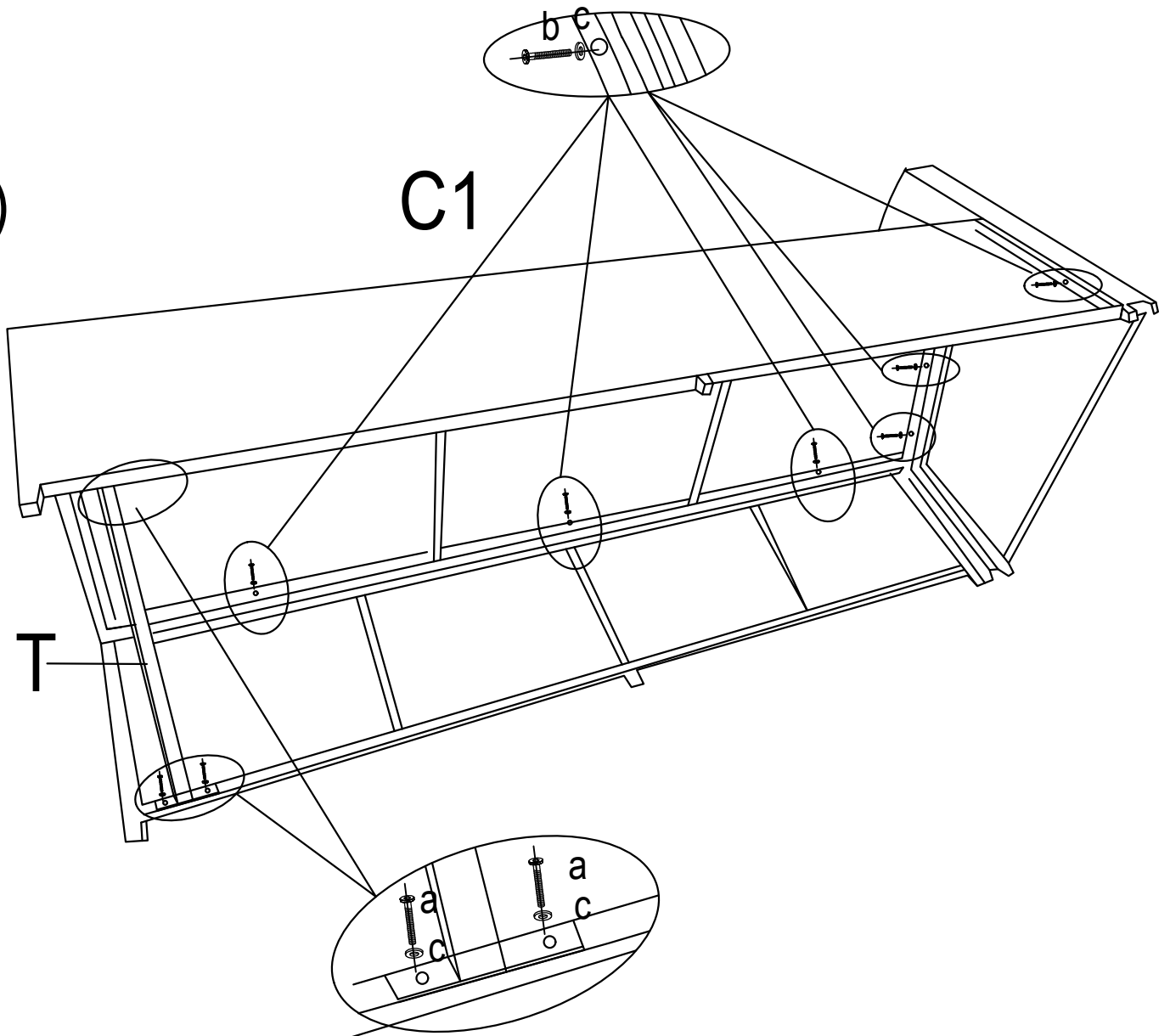
NO	Picture	pcs
A	Armrest (Left) 	1
B	Armrest (Right) 	1
T		1
C1		1
D1		1
C3		1

NO	Picture	pcs
D3		1
E		1
a	 M6*15mm	4
b	 M6*35mm	21
c		25
d		1

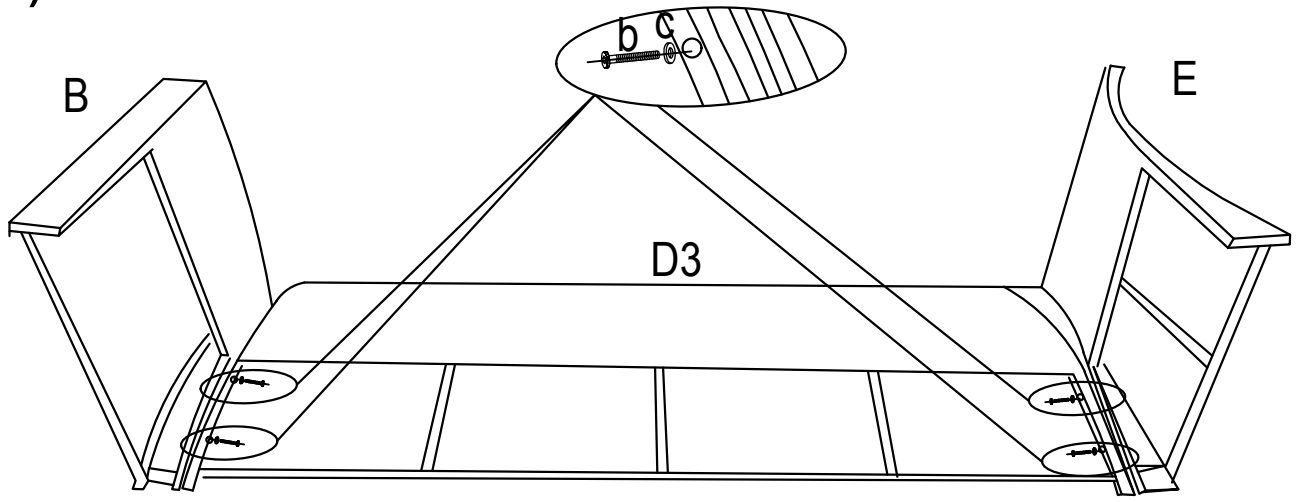
(1)



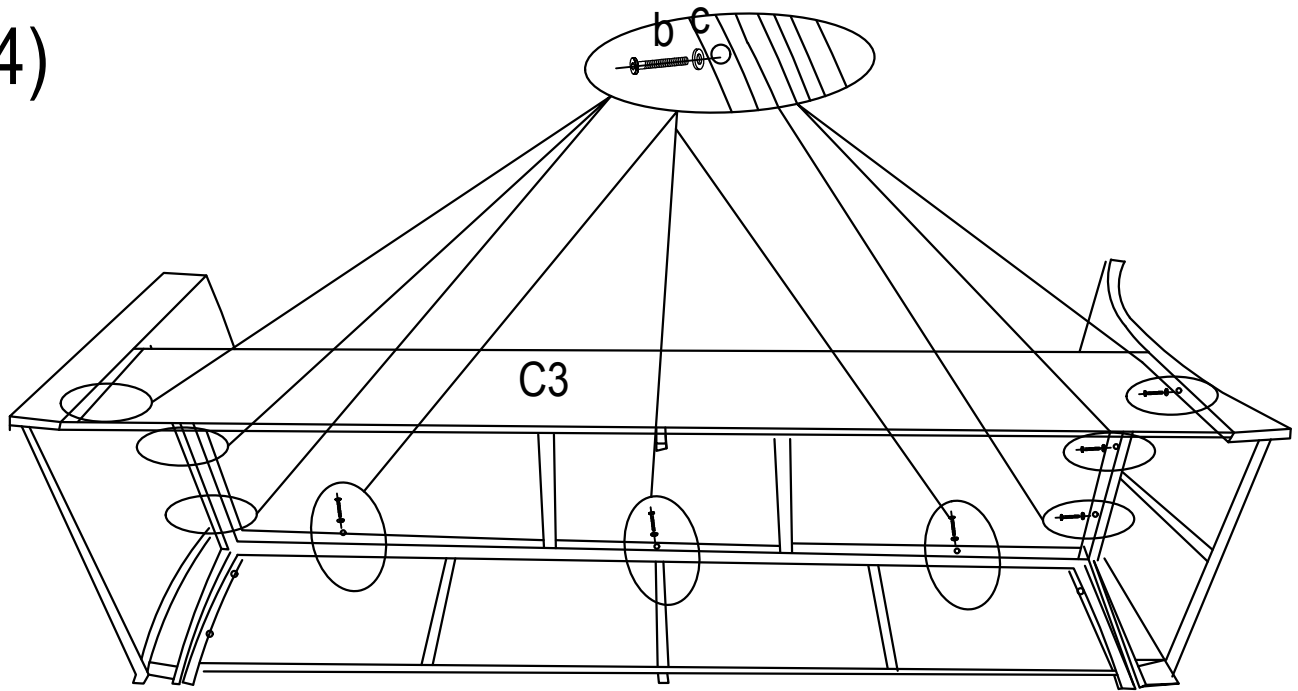
(2)



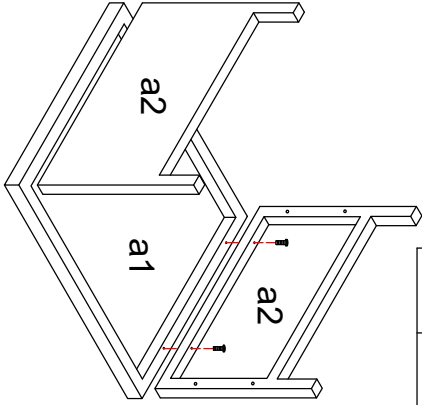












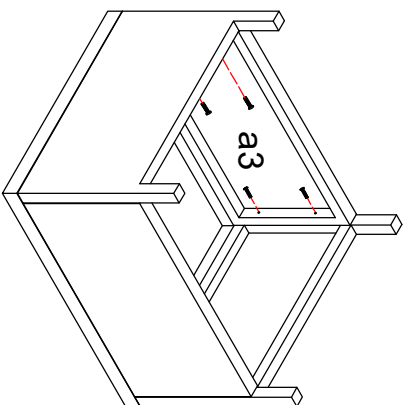
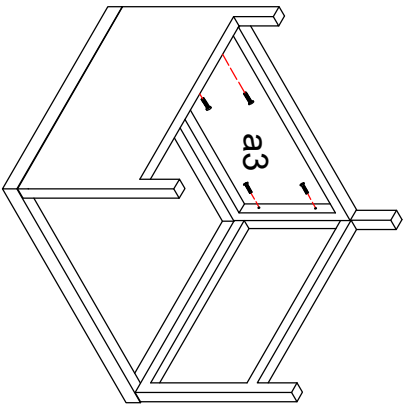






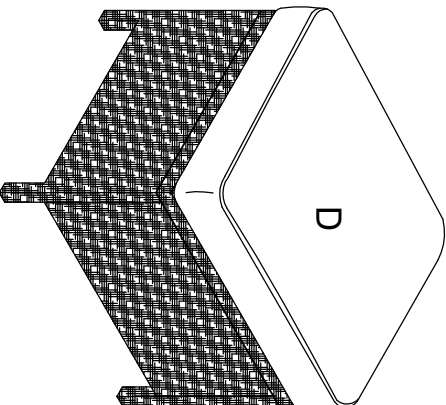
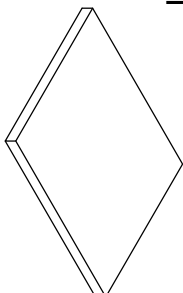
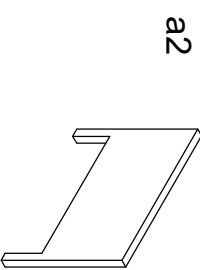
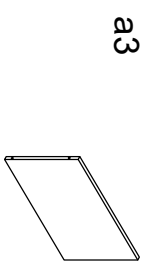
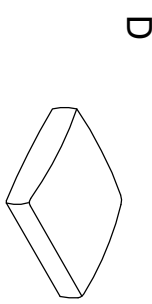



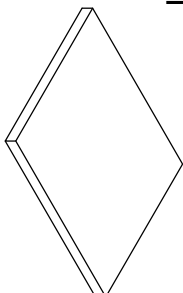
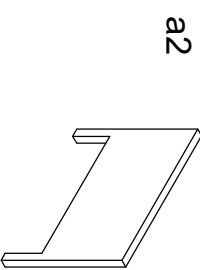
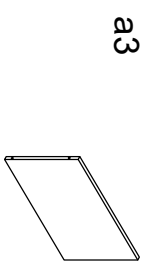
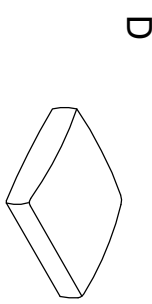



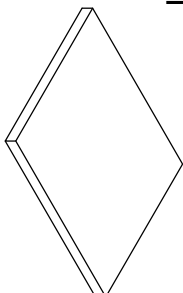
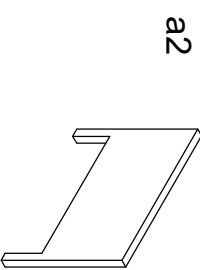
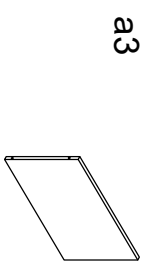
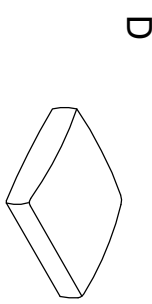



(3)



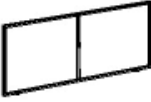
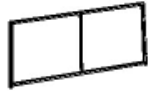
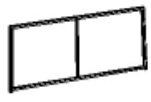


(4)








JS062 STOOL

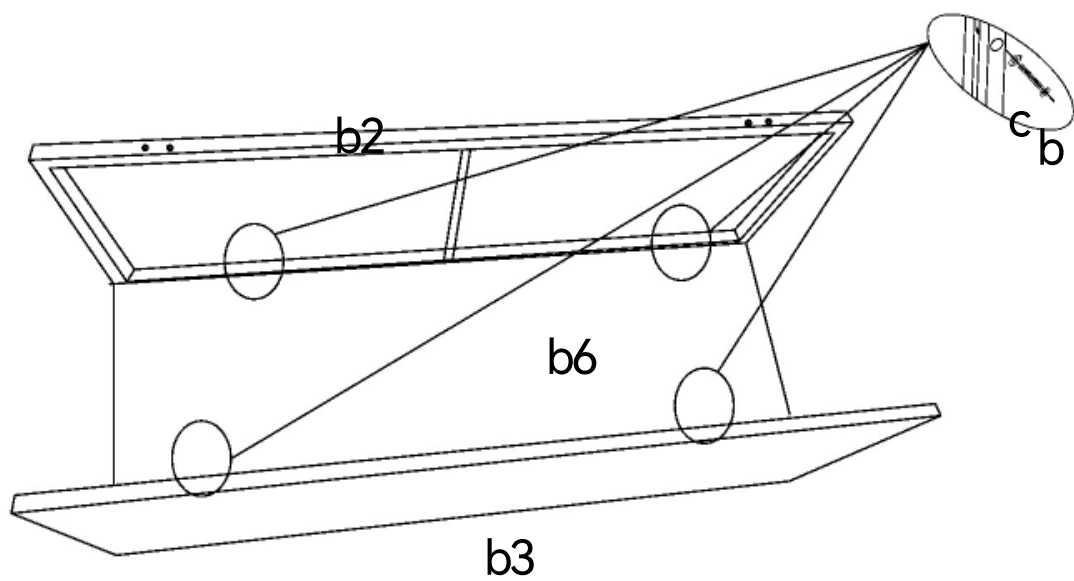
<p>STEP 1</p>  <table border="1" data-bbox="646 537 750 887"> <tr> <td></td> <td>M6x35mm</td> <td>4pcs</td> </tr> <tr> <td></td> <td></td> <td>4pcs</td> </tr> </table>		M6x35mm	4pcs			4pcs	<table border="1" data-bbox="1308 537 1412 887"> <tr> <td></td> <td>M6x35mm</td> <td>4pcs</td> </tr> <tr> <td></td> <td></td> <td>4pcs</td> </tr> </table>		M6x35mm	4pcs			4pcs
	M6x35mm	4pcs											
		4pcs											
	M6x35mm	4pcs											
		4pcs											
<p>STEP 3</p> 	<p>STEP 2</p>  <table border="1" data-bbox="1308 1299 1412 1648"> <tr> <td></td> <td>M6x35mm</td> <td>4pcs</td> </tr> <tr> <td></td> <td></td> <td>4pcs</td> </tr> </table>		M6x35mm	4pcs			4pcs						
	M6x35mm	4pcs											
		4pcs											
<p>STEP 4</p> 	<table border="1"> <tr> <td data-bbox="1197 1736 1380 2038"> <p>a1</p>  <p>Stool Top x 1pc</p> </td> <td data-bbox="893 1691 1093 1960"> <p>a2</p>  <p>Stool Leg x 2pcs</p> </td> </tr> <tr> <td data-bbox="646 1691 790 1960"> <p>a3</p>  <p>Side Panel x 2pcs</p> </td> <td data-bbox="383 1691 534 1993"> <p>D</p>  <p>Seat Cushion x 1pc</p> </td> </tr> <tr> <td data-bbox="231 1691 295 2083"> <p></p> <p>M6x35mm</p> <p>12pcs</p> </td> <td data-bbox="159 1691 223 2083"> <p></p> <p>12pcs</p> </td> </tr> <tr> <td data-bbox="89 1691 151 2083"> <p></p> <p>1pc</p> </td> <td></td> </tr> </table>	<p>a1</p>  <p>Stool Top x 1pc</p>	<p>a2</p>  <p>Stool Leg x 2pcs</p>	<p>a3</p>  <p>Side Panel x 2pcs</p>	<p>D</p>  <p>Seat Cushion x 1pc</p>	<p></p> <p>M6x35mm</p> <p>12pcs</p>	<p></p> <p>12pcs</p>	<p></p> <p>1pc</p>					
<p>a1</p>  <p>Stool Top x 1pc</p>	<p>a2</p>  <p>Stool Leg x 2pcs</p>												
<p>a3</p>  <p>Side Panel x 2pcs</p>	<p>D</p>  <p>Seat Cushion x 1pc</p>												
<p></p> <p>M6x35mm</p> <p>12pcs</p>	<p></p> <p>12pcs</p>												
<p></p> <p>1pc</p>													

241006-5AT:100*40*35(BENCH)

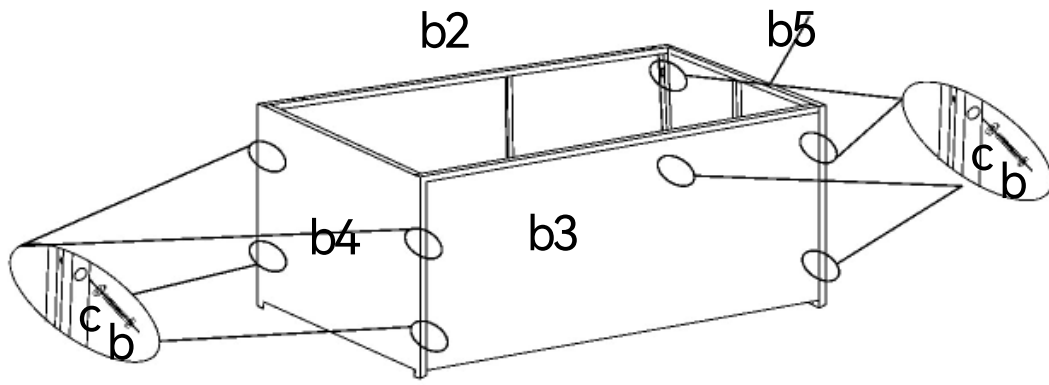
NO	Picture	pcs
b1		1
b2		1
b3		1
b4		1
b5		1

b6		1
a	M6*15mm	4
b	 M6*35mm	12
c		18
d		1
e		1

(1)



(2)



(3)

