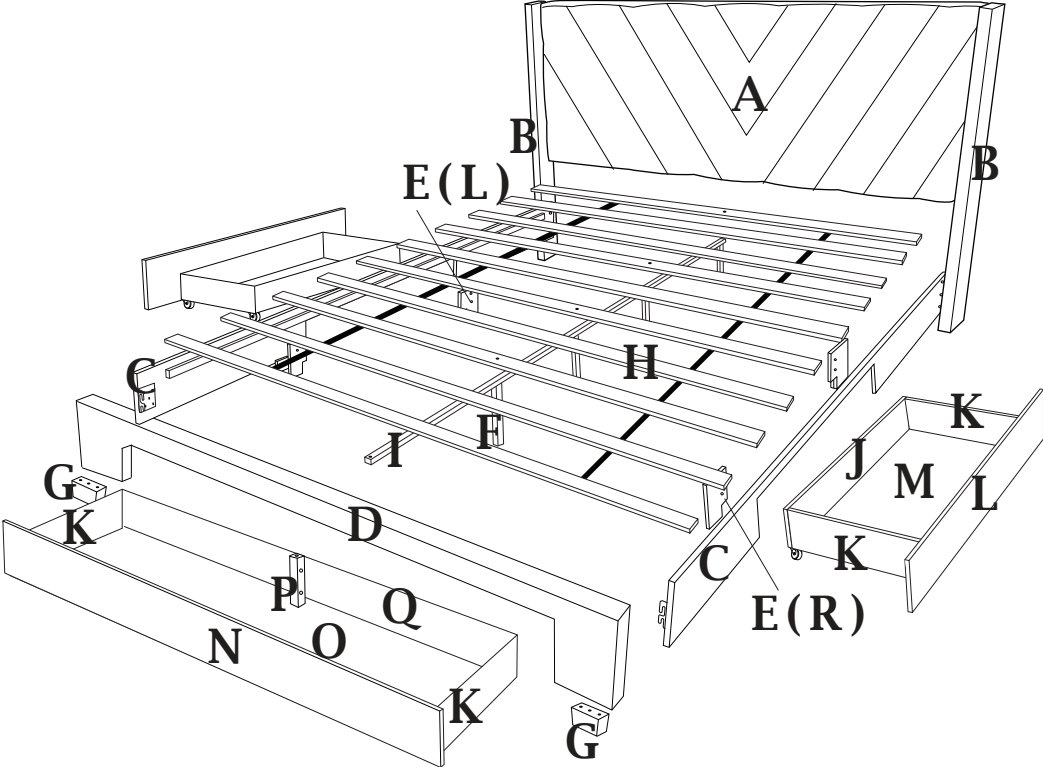
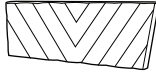

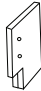

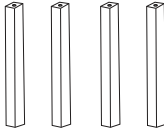
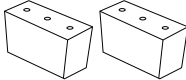
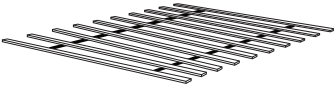
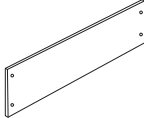


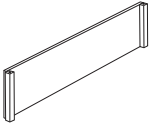
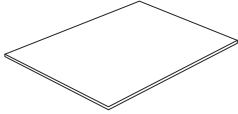
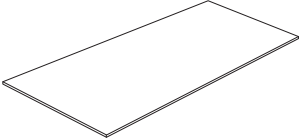
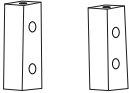
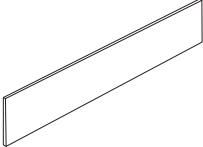
ASSEMBLY INSTRUCTION

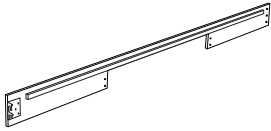
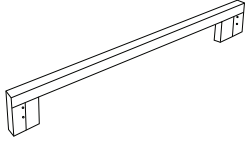

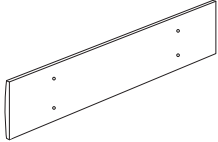
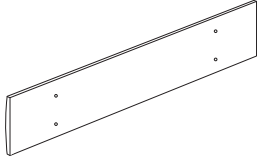


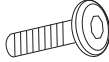

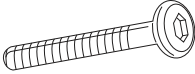
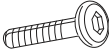
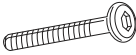
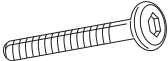

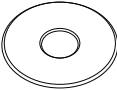
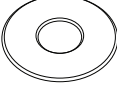
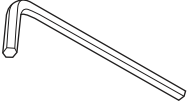
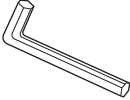
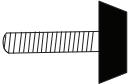
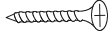
Detail View - V SHAPE BED (QUEEN)

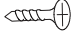
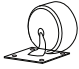


NO	PART LIST (IN CARTON 1 OF 2)	QTY
A	Headboard 	1 pc
B	Wing 	2 pcs
E(L)	Side Rail Support (Left) 	2 pcs
E(R)	Side Rail Support (Right) 	2 pcs
F	Center Support Leg 	4 pcs
G	Bed Leg 	2 pcs
H	Bed Slat 	10 pcs
J	Dawer Short Back Panel 	2 pcs

NO	PART LIST (IN CARTON 1 OF 2)	QTY
K	Drawer Side Panel 	6 pcs
M	Drawer Short Bottom Panel 	2 pcs
O	Drawer Long Bottom Panel 	1 pc
P	Support Cube 	2 pcs
Q	Drawer Long Back Panel 	1 pc

NO	PART LIST (IN CARTON 2 OF 2	QTY
C	Side Rail 	2 pcs
D	Footboard 	1 pc
I	Center Support Rail 	1 pc
L	Drawer Short Front Panel 	2 pcs
N	Drawer Long Front Panel 	1 pc

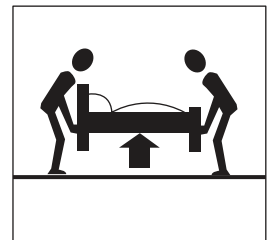
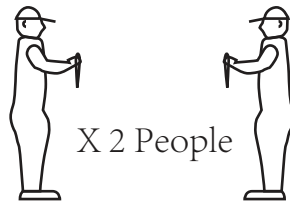
NO	HARDWARE LIST	QTY
1	JCBB M8 x 20mm 	4 pcs
2	JCBB M8 x 50mm 	6 pcs
3	JCBC M6 x 70mm 	2 pcs
4	JCBC M6 x 30mm 	28 pcs
5	JCBC M6 x 35mm 	29 pcs
6	JCBC M6 x 60mm 	4 pcs
7	Dowel M8 	4 pcs
8	Flat Washer M6 	14 pcs
9	Flat Washer M8 	6 pcs
10	Allen Key M4 	1 pc
11	Allen Key M5 	1 pc
12	Adjuster M6 	4 pcs
13	CSK M4 x 30mm 	20 pcs

NO	HARDWARE LIST	QTY
14	CSK M3.5 x 12mm 	56 pcs
15	Wheel 	14 pcs

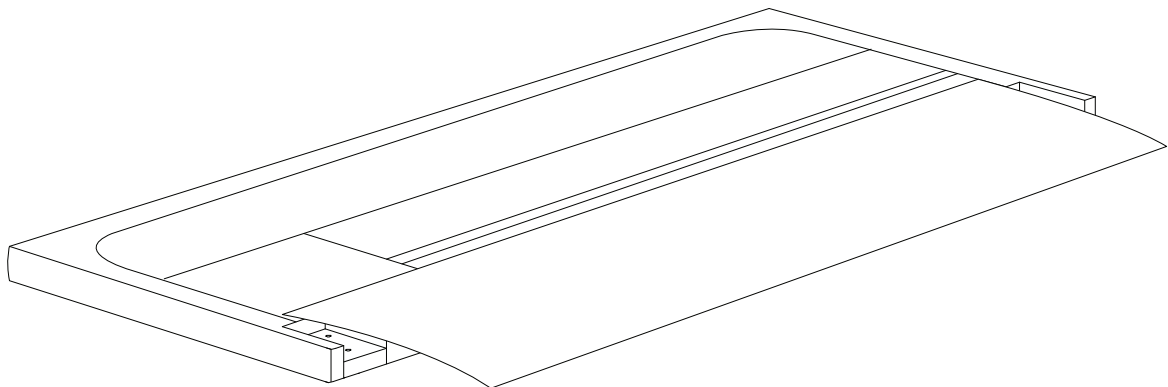
Read this instruction carefully. Remove all wrapping material, staples and straps from the carton. See hardware and furniture part list for guidance. Be sure you have all wooden furniture parts on a clean and flat surface, such as carpet or rug, to prevent from being scratched.

CAUTION :

1. Do not Full Tighten the nut or screw until all ready to assemble.
2. Do not Over Tighten the nut or screw to avoid causing damages to the thread.
3. Keep all hardware part out reach of children.



Bed Parts are packed inside a compartment
in the back of the headboard.



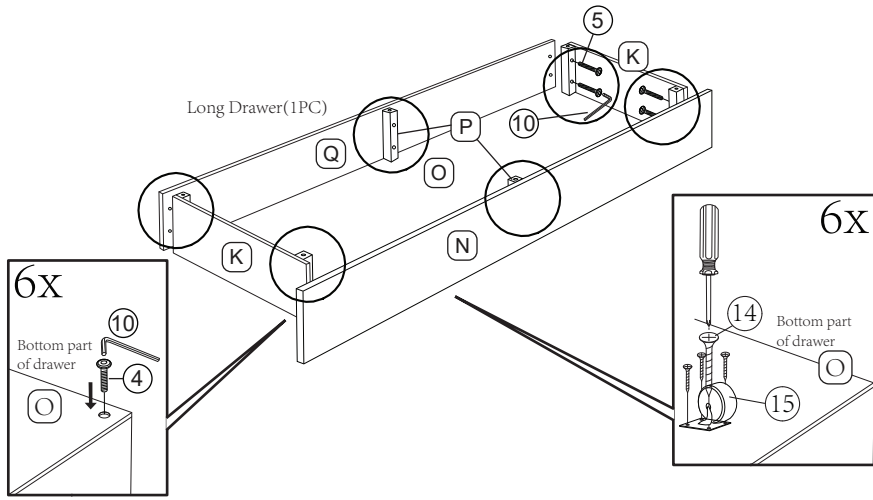
STEP 1

Footboard's Drawer x 1 pc

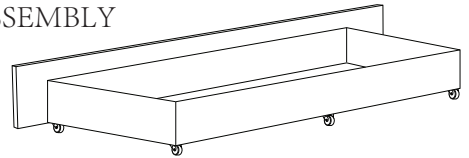


Use screw driver only

4	5	14	15
6 pcs	12 pcs	24 pcs	6 pcs



COMPLETED ASSEMBLY



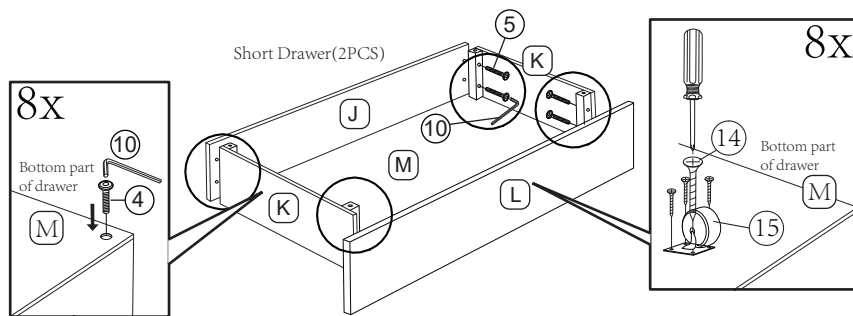
STEP 2

Side's Drawer x 2 pcs

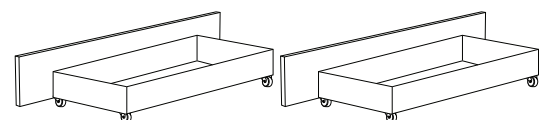


Use screw driver only


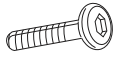

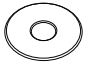
4	5	14	15
8 pcs	16 pcs	32 pcs	8 pcs

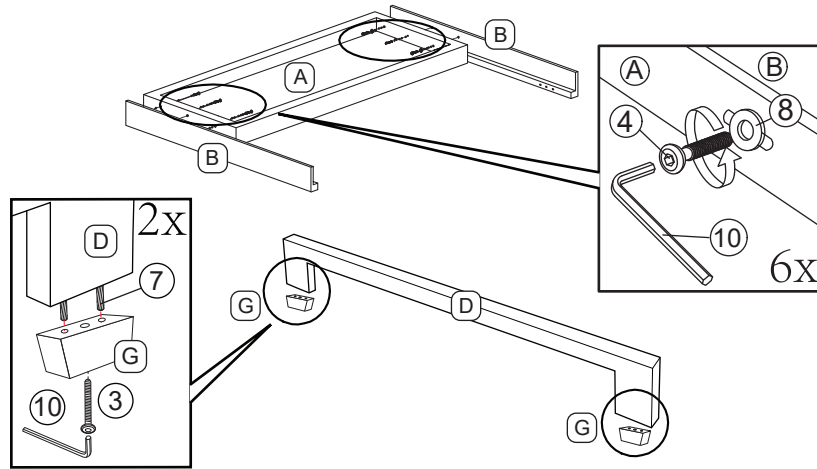


COMPLETED ASSEMBLY

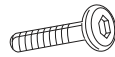
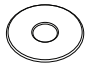


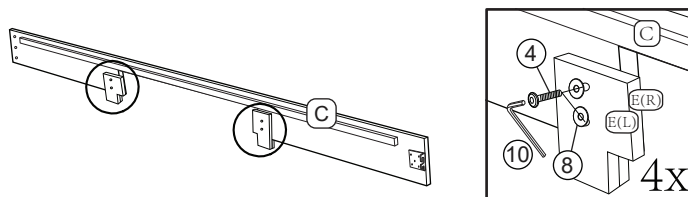
STEP 3

3	4	7	8
			
2 pcs	6 pcs	4 pcs	6 pcs

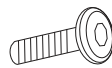
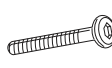



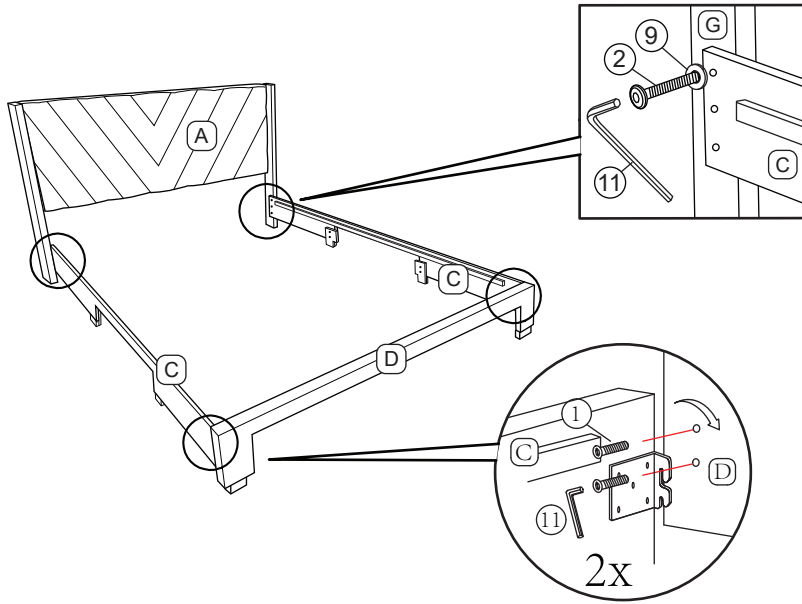
STEP 4

4	8
	
8 pcs	6 pcs


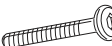



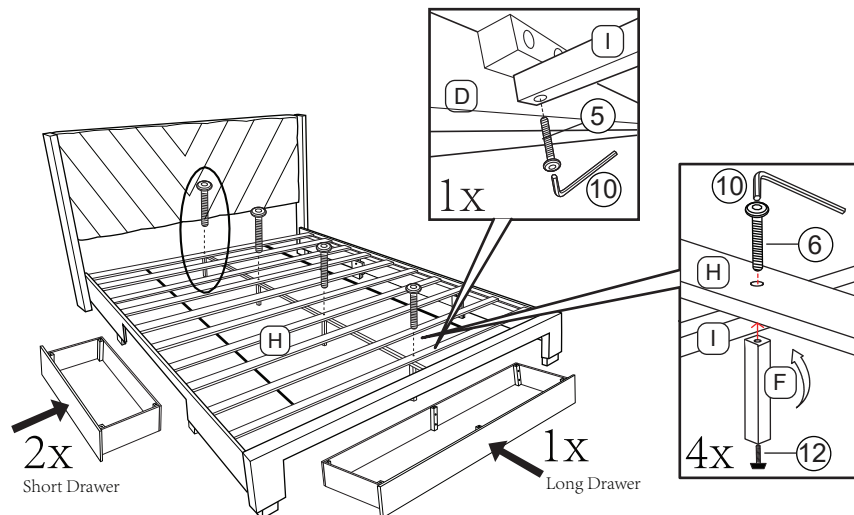
STEP 5

1	2	9
		
4 pcs	6 pcs	6 pcs



STEP 6

5	6	12
		
1 pc	4 pcs	4 pcs

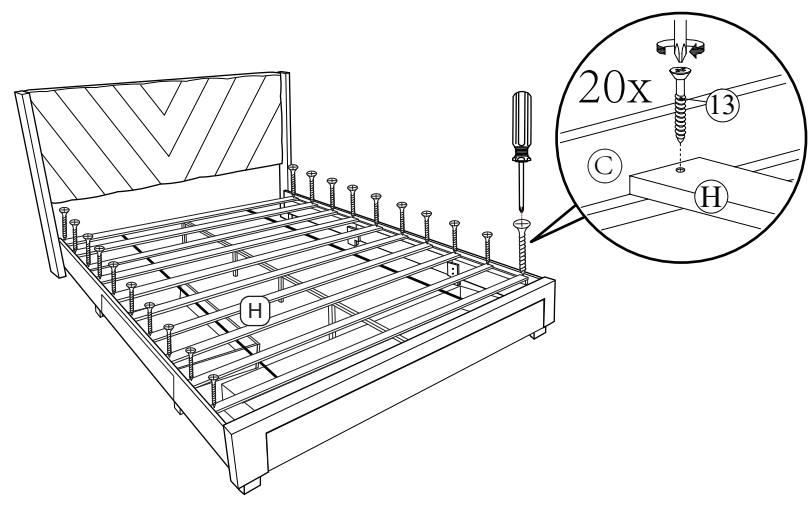


STEP 7

13



20 pcs



COMPLETED
ASSEMBLY

