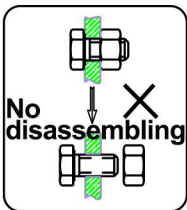


User's Manual



INSTALLATION STEPS

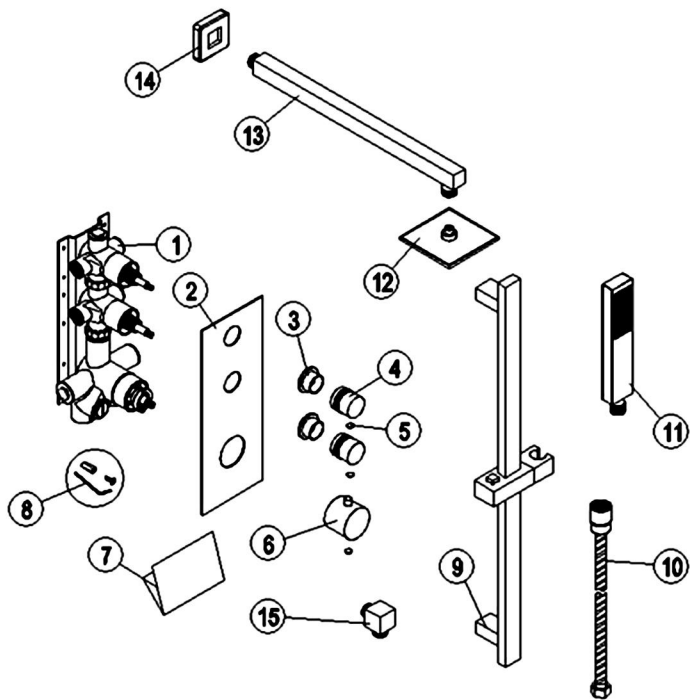
This product has been inspected and debugged by the factory to the best condition. Please do not disassemble and assemble it yourself.



Before installing the product, please be sure to remove sundries and sludge from the water pipe to prevent sundries from blocking the product.



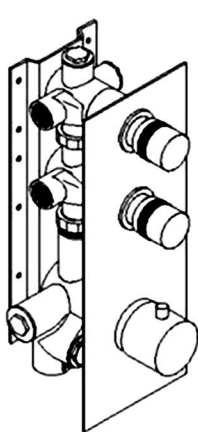
1.Exploded view



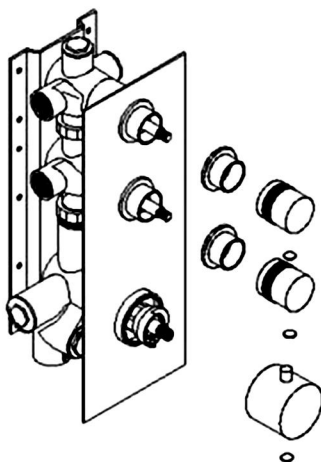
NO.	Description	Qty
1	Thermostatic valve	1
2	Panel	1
3	Decoration covers	2
4	Divider	2
5	Chrome cover	3
6	Thermostatic hand wheel	1
7	Installation user manual	1
8	Accessories	1
9	Lifting rod	1
10	Shower hose	1
11	Hand shower	1
12	Shower head	1
13	Shower arm	1
14	Shower arm Decoration cover	1
15	Outlet connector	1

2.Installation steps

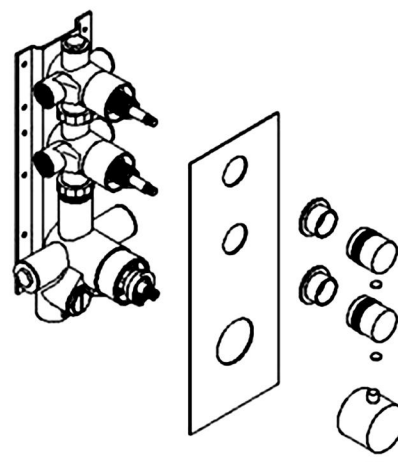
2.1 Disassemble the hand wheels



2.11 Factory setting



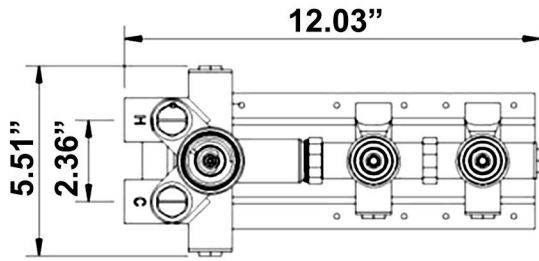
2.12 Open Gold cover, use inner hexagon Spanner , remove all handle wheels. When remove the thermostatic handle wheel, please ensure that the two red marks on the temperature spindle are in the line, this is factory set 40°C position



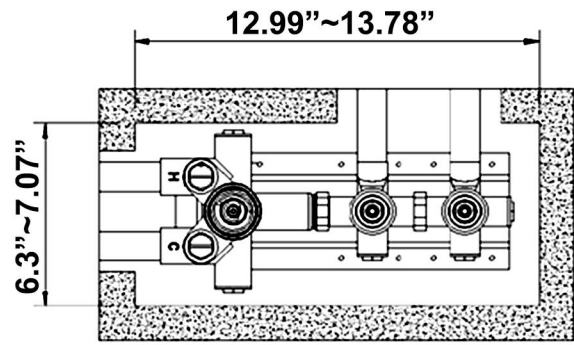
2.13 Screw out three decoration remove all circles and remove plate.

INSTALLATION STEPS

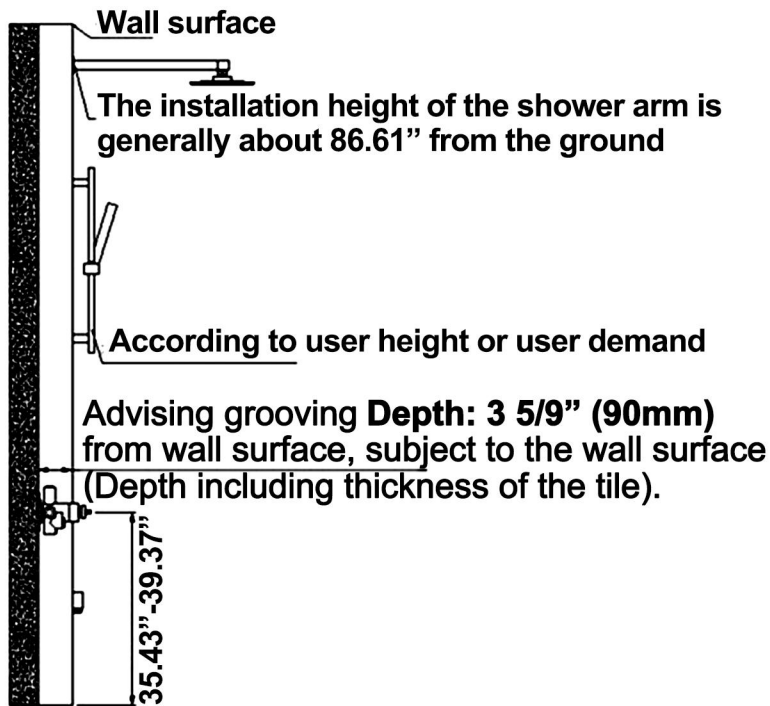
2.2 Size for grooving and assembly



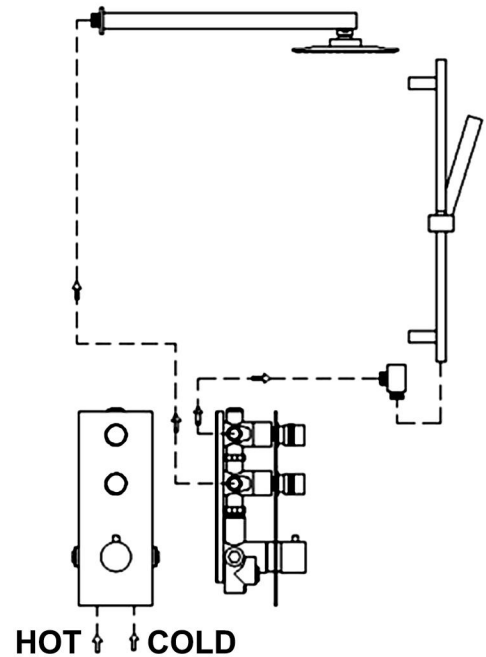
2.21 Main body size. (for your reference, check actual size)



2.22 Wall grooving design and size. (for your reference)

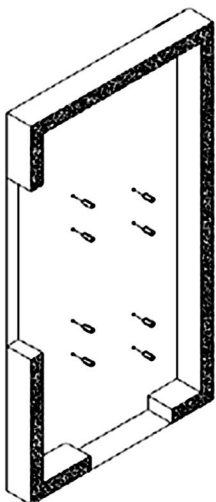


2.23 From ground to main body usually 35.43~39.37" also can according to user height or user demand.

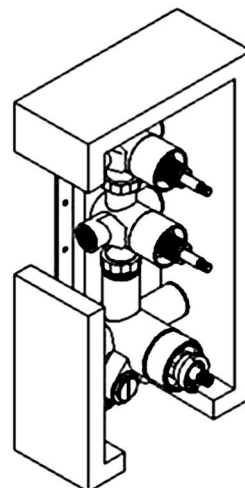


2.24 Join different water pipe.

2.3 Main body built-in steps

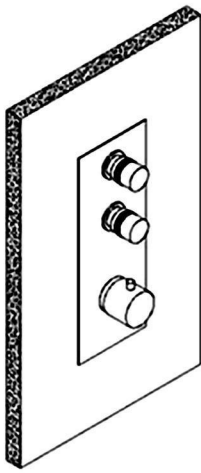


2.31 Drill the hole in the wall. Beat expansion strip into the hole (there are 8 expansion strip harden and 8 self-tapping screw)

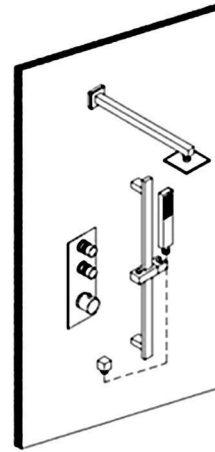


2.32 Put the main body into the wall. fixed with self-tapping screw.

INSTALLATION STEPS

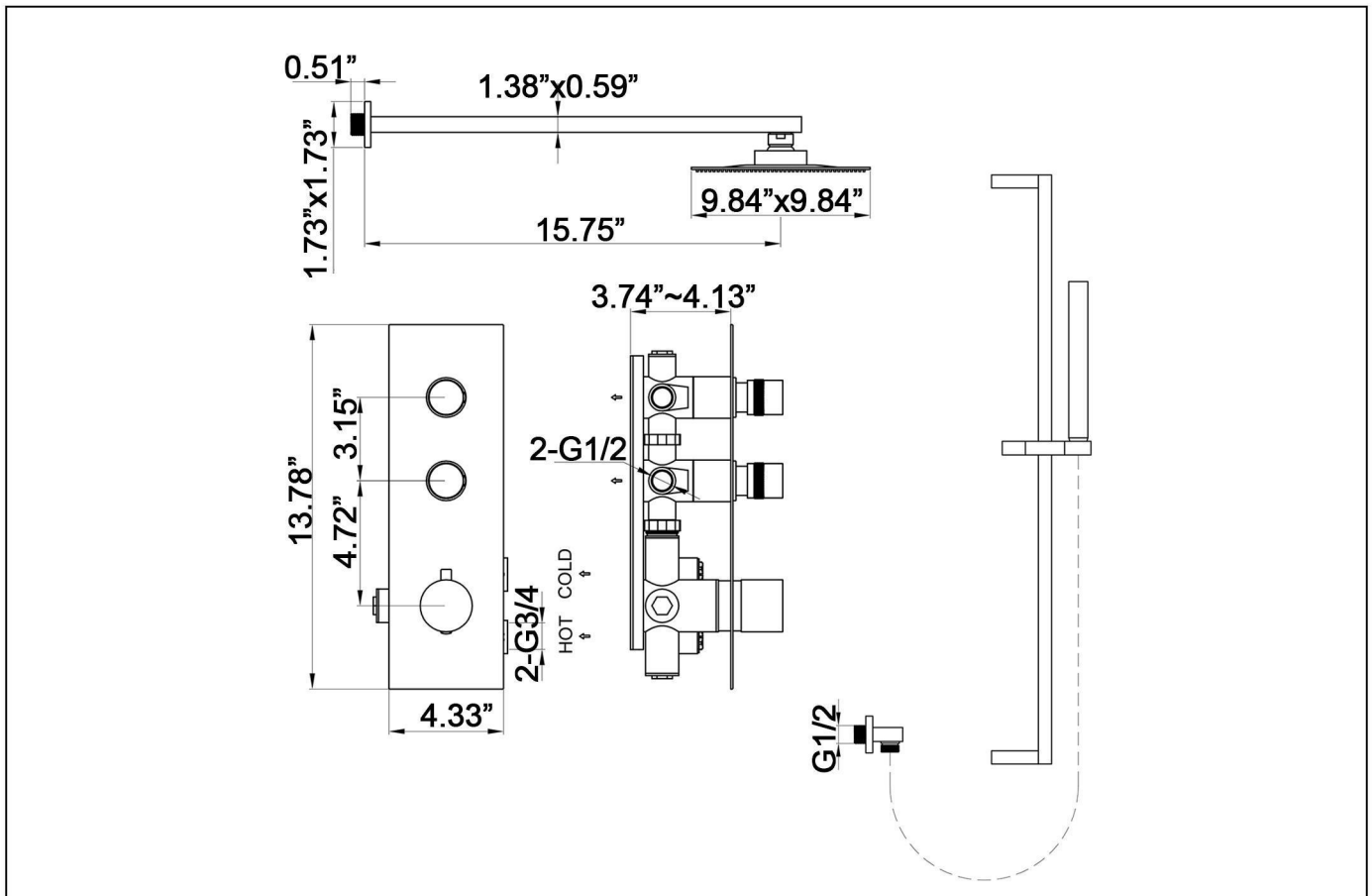


2.33 After tiling, assembly panel, decoration covers, handles in order, screw the tighten and put Gold button into the original place.



2.34 Effect diagram

INSTALLATION DIMENSION



CLEANING CARE

In order to keep the appearance of product clean, bright and good performance, please take care of the product as follows;

1. Rinse with water only and dry with soft cotton cloth;
2. Use mild liquid and colorless glass cleaner to remove surface dirt and scale film, or use polish without abrasive effect;
3. Do not use abrasive detergent, polish, emery cloth, paper towel or scraper, etc;
4. Do not use acid cleaner, or cleaner and soap with insoluble gran etc;
5. In the process of use, mud may accumulate in the bubbler and make the water flow show, The bubbler can be unscrewed, rinsed with water, and then installed back in place.



