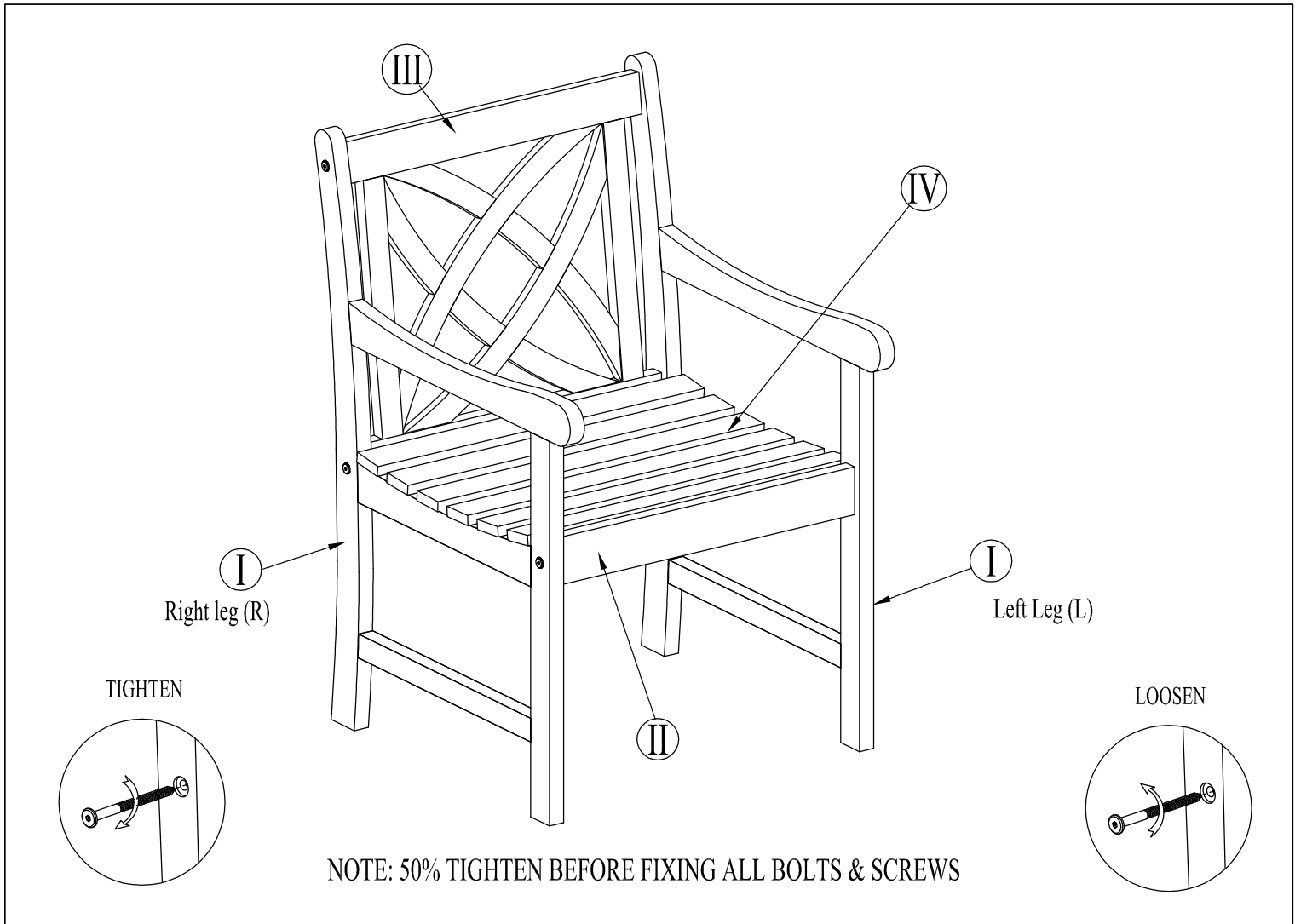


Maximum capacity : 110 kgs/242 Lbs





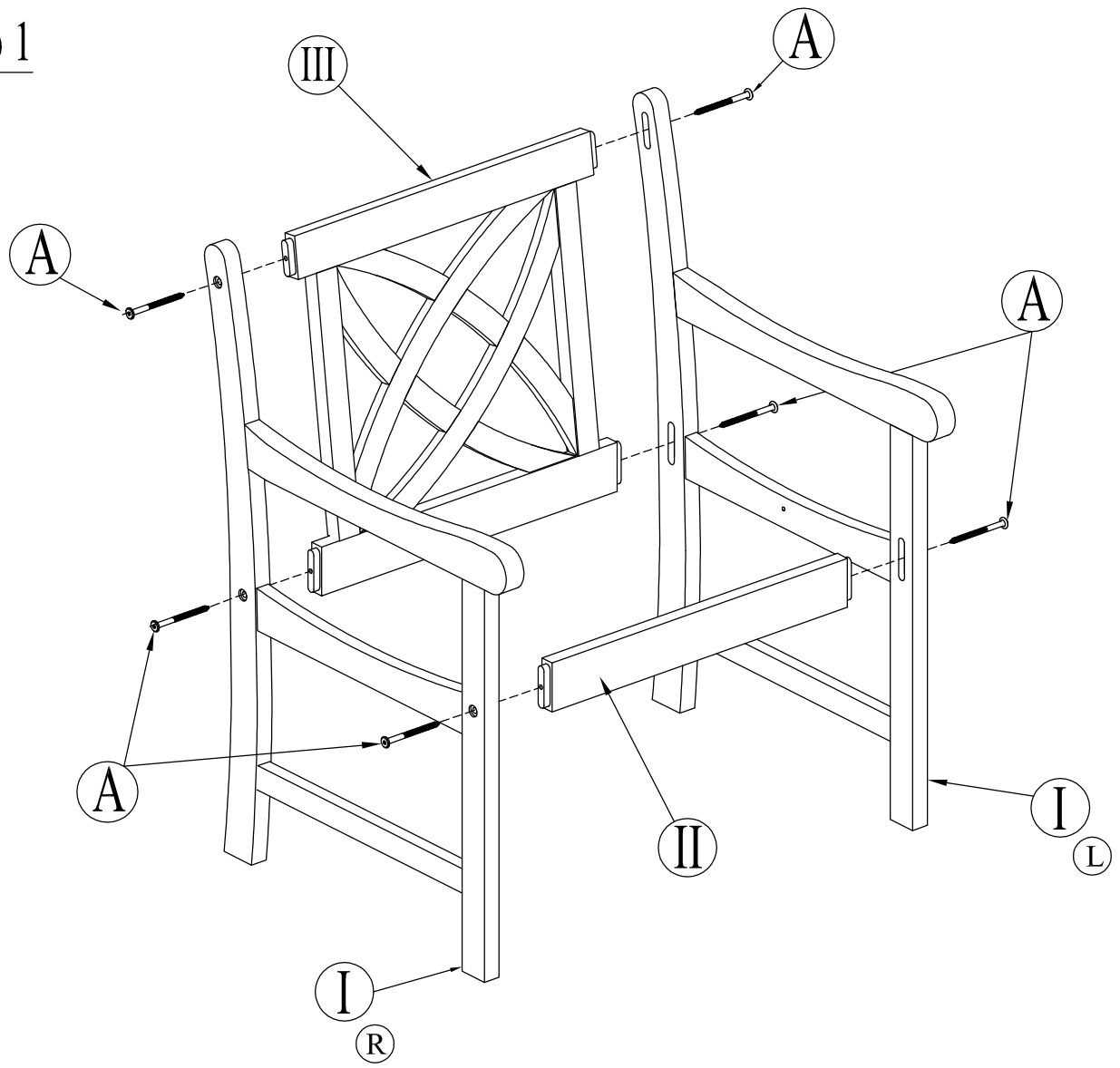
COMPONENTS LIST

| | | |
|--|---|---|
| <p style="text-align: center;">Right leg (R) Left Leg (L)</p> <p style="text-align: center;">Q'TY 2</p> | <p style="text-align: center;">Q'TY 1</p> | <p style="text-align: center;">Q'TY 1</p> |
| <p style="text-align: center;">Q'TY 1</p> | | |

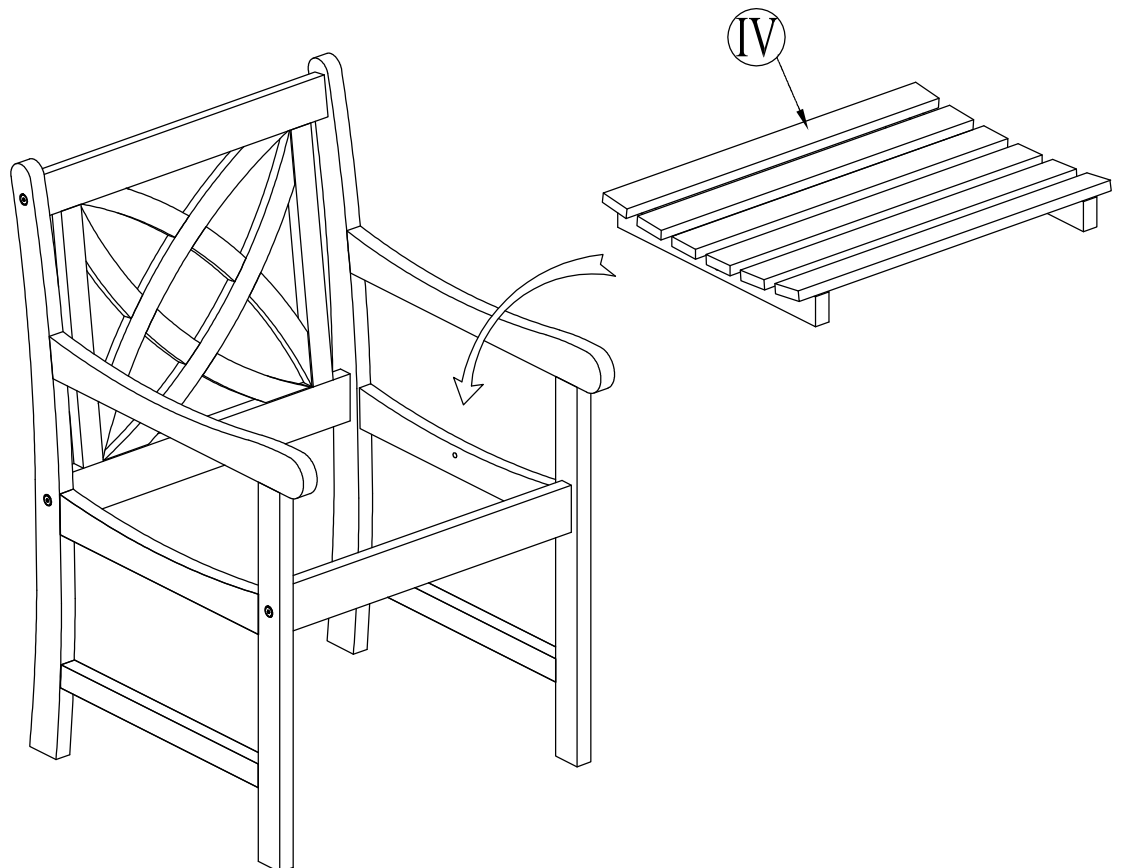
HARDWARE LIST

| | | | | | | | |
|---|--|---|--------------|---|--|---|-----------|
| A | | 6 | Screw 7 x 70 | | | | |
| B | | 2 | Screw 7x40 | C | | 2 | Allen Key |

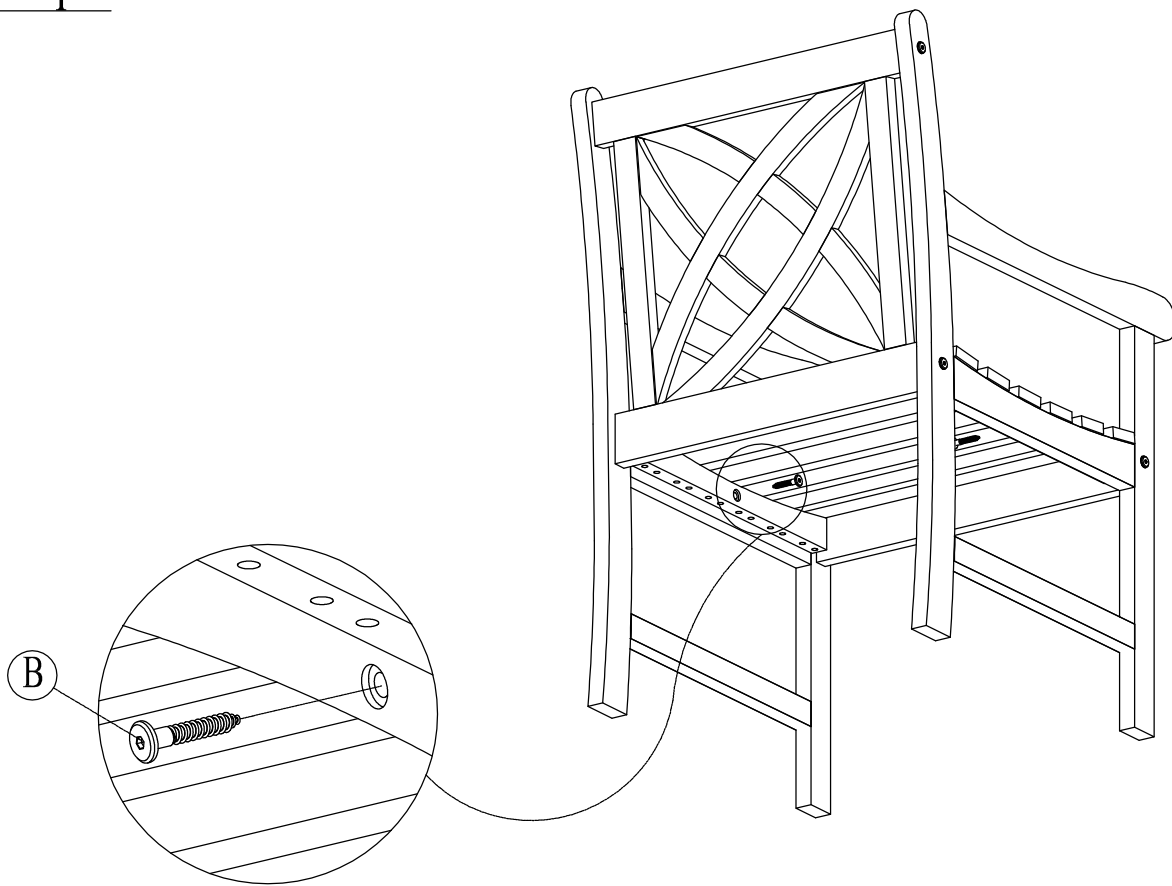
Step 1



Step 2



Step 3



Step 4

