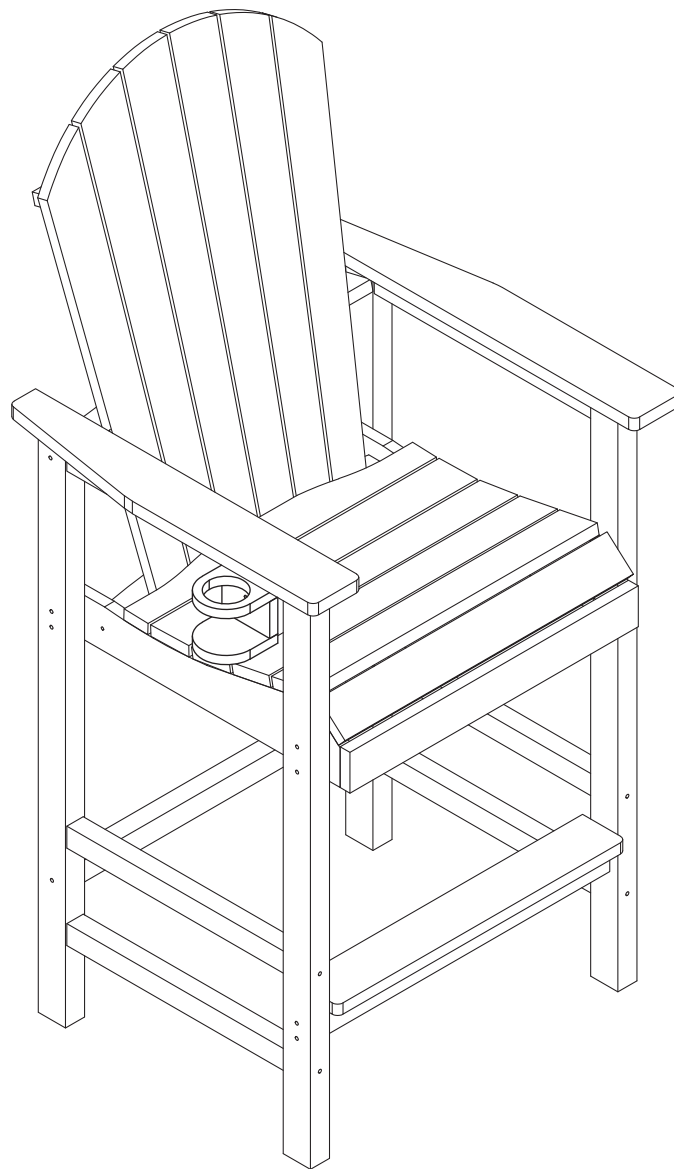


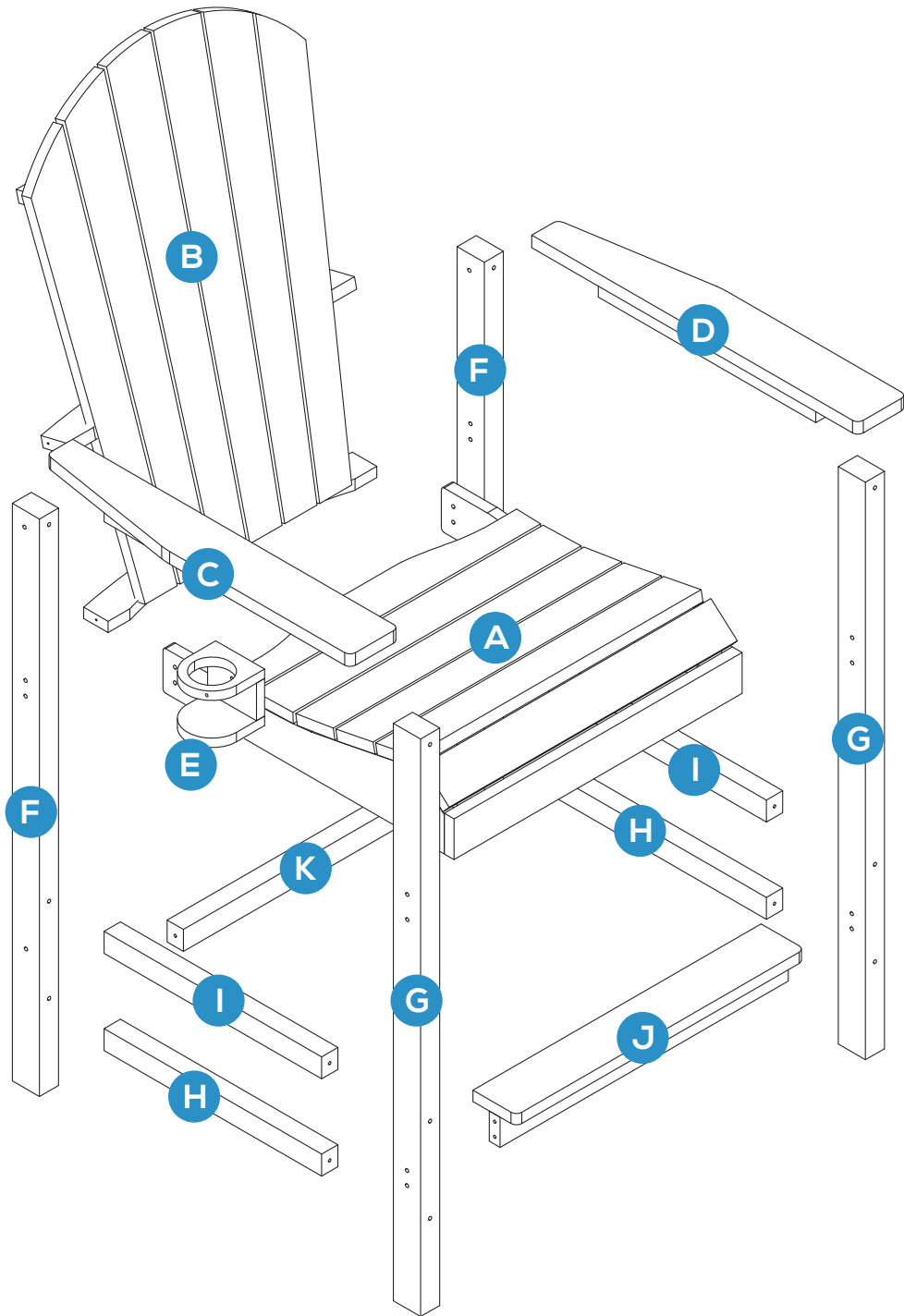
# HDPE BARSTOOL

## ASSEMBLY INSTRUCTION



Thank you so much for shopping with us.  
For any issue or concern, welcome to contact us via: [support@vingli.com](mailto:support@vingli.com)  
If you like our product, please share your experience with us on Amazon!

! OVERVIEW

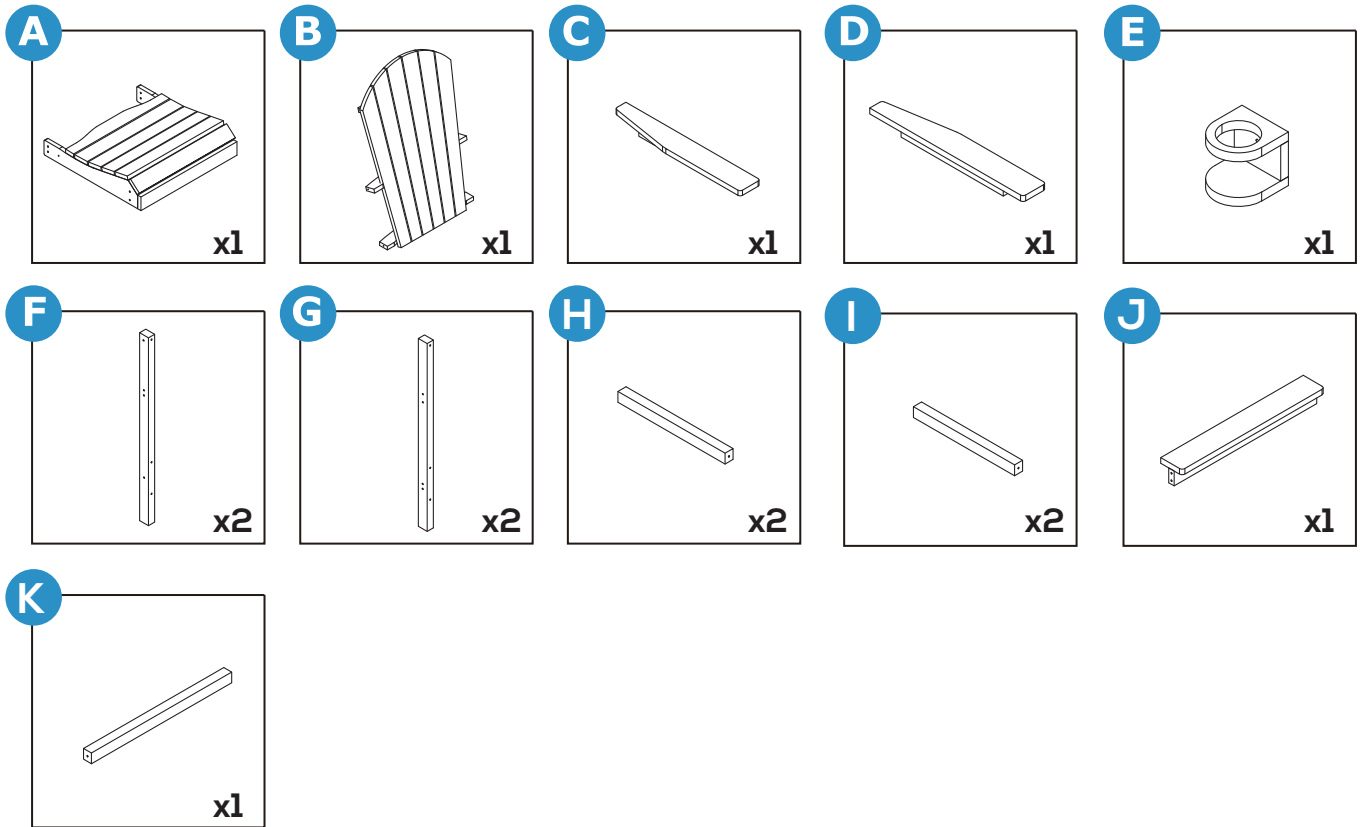


## ! NOTICE

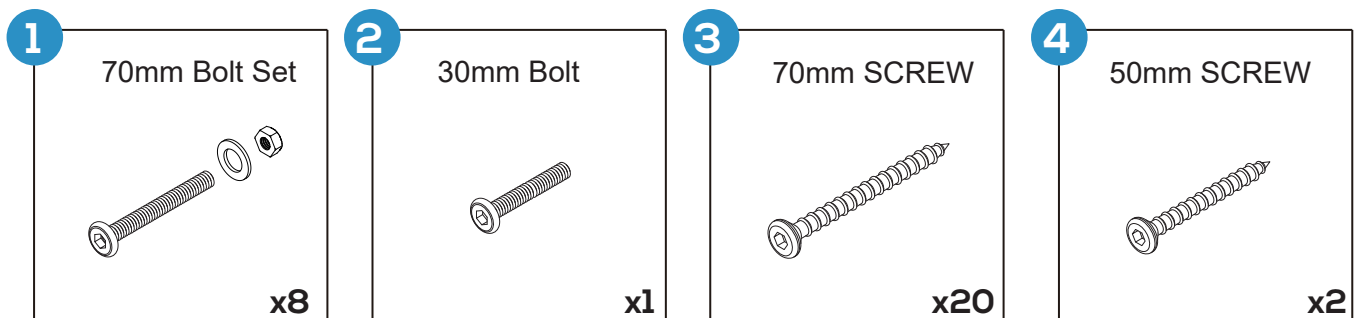
### Do not overtighten screws. (Insert all screws before tighten screws.)

- Please do not exceed the weight limitations of this item.
- Do not stand on or use any part of this item as a step ladder.
- Firmly secure all bolts, screws and nuts before use.
- Reconfirm that all bolts, screws, and nuts are secure every 90 days.
- Do not use or store this item in the proximity of open flame or flammable/combustible chemicals.
- Be aware that some parts are heavy and have sharp edges.
- Be very careful when folding chair to avoid smashing your hands or fingers.

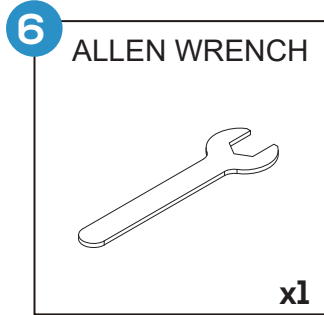
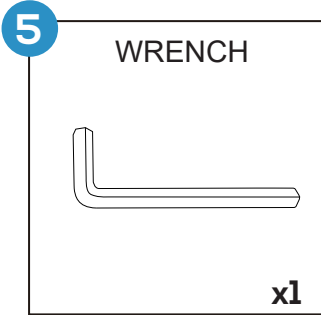
## PARTS



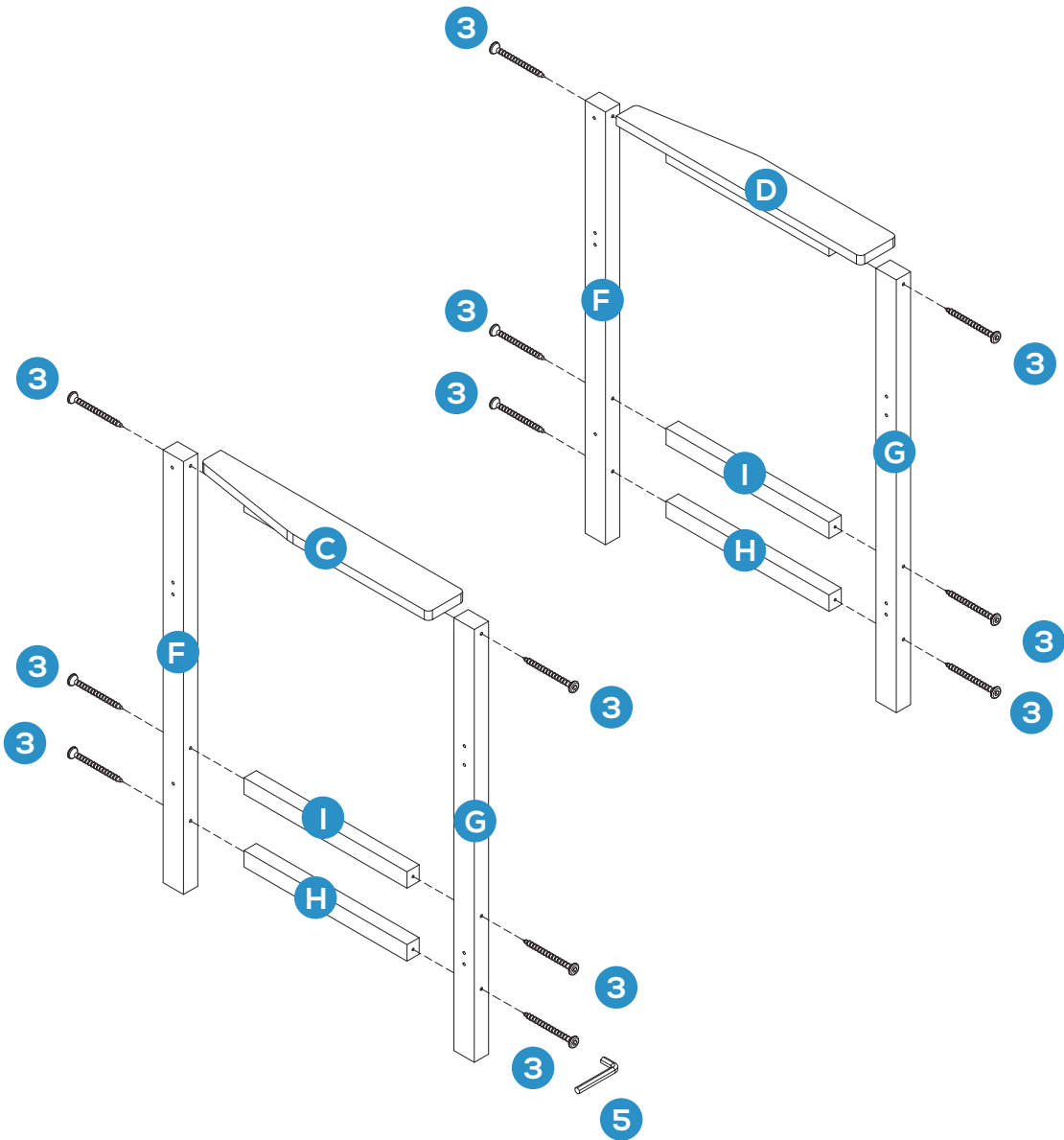
## HARDWARE



**HARDWARE**

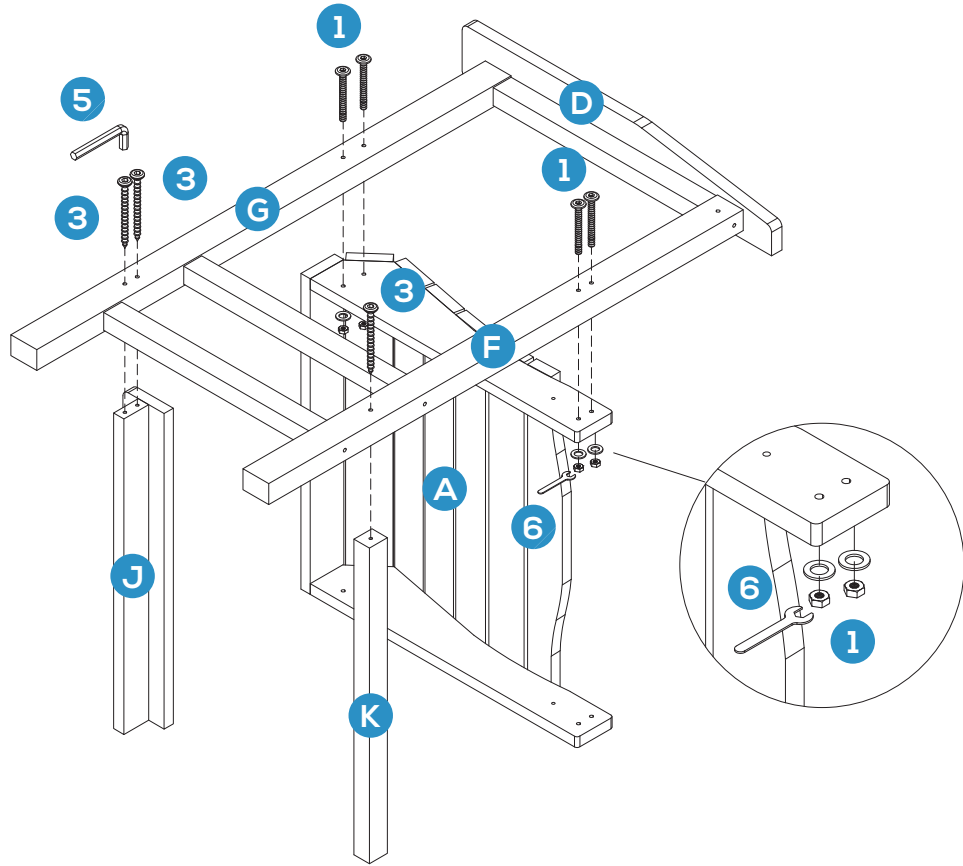


**1**



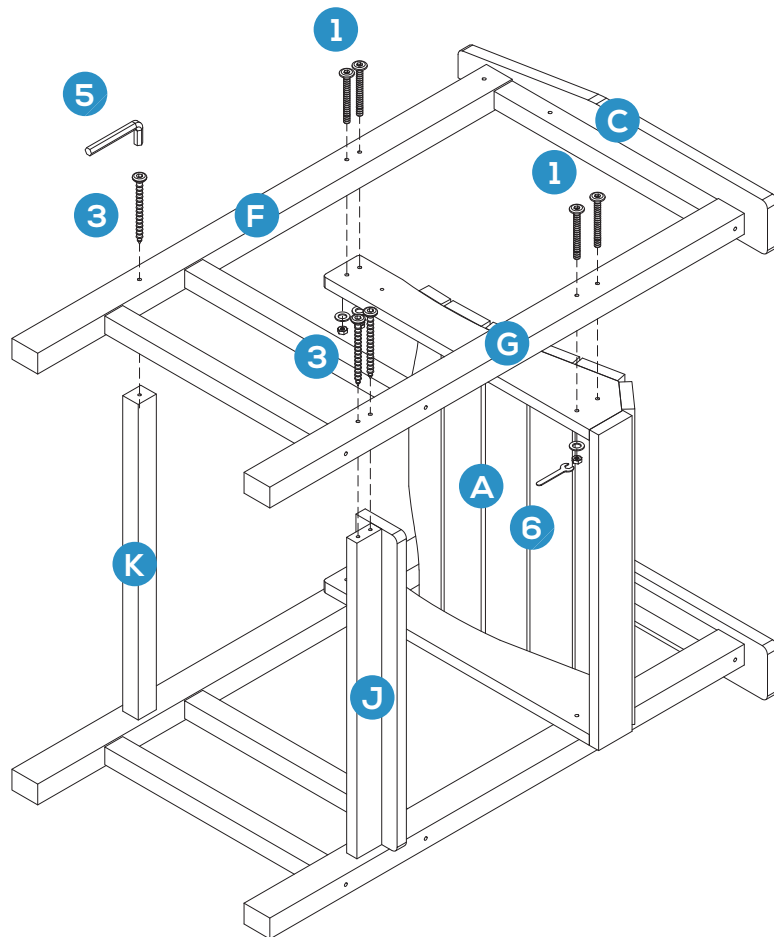
3=12PCS  
5=1PC

2



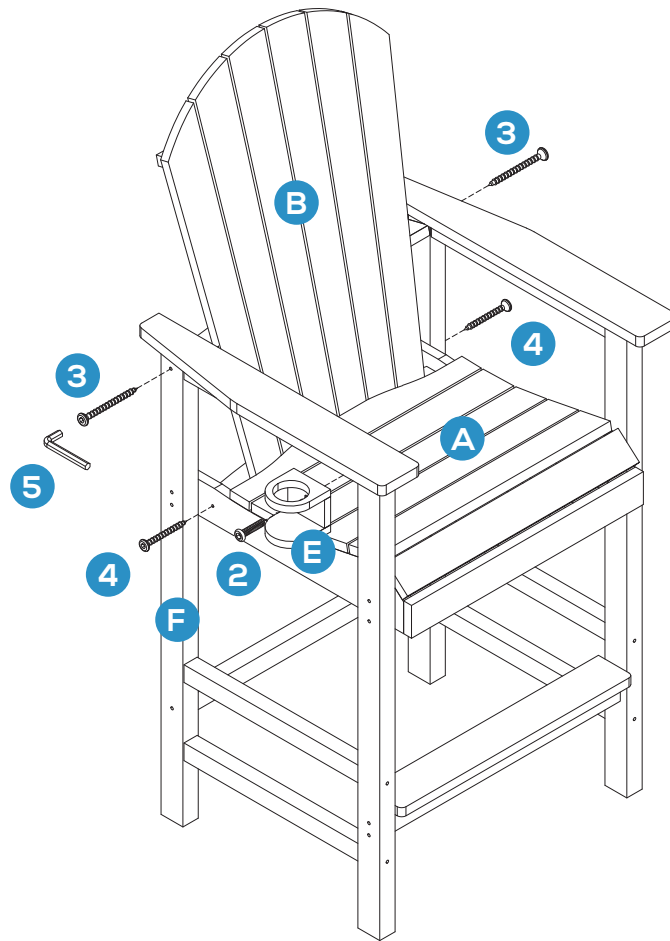
1=4PCS  
3=3PCS  
5=1PC  
6=1PC

3



1=4PCS  
3=3PCS  
5=1PC  
6=1PC

4



2=1PC  
3=2PCS  
4=2PCS  
5=1PC

The End

