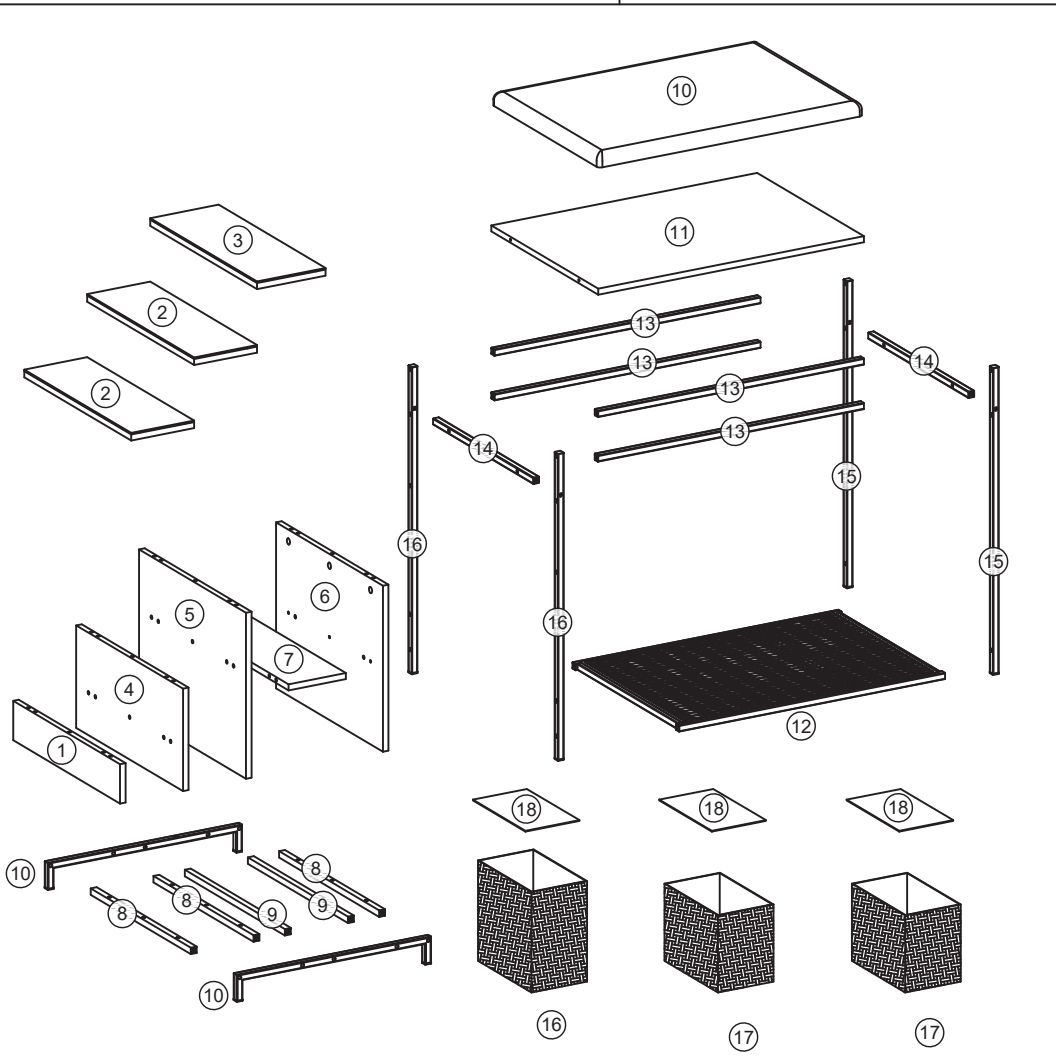
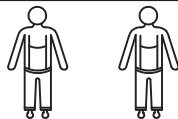
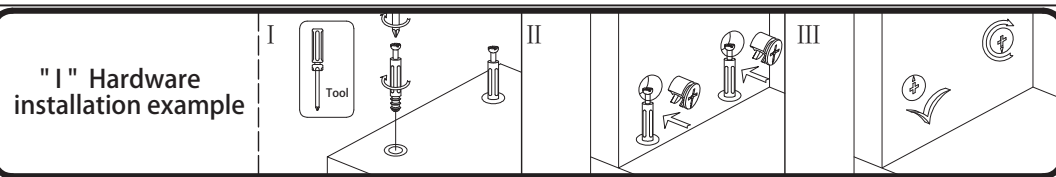


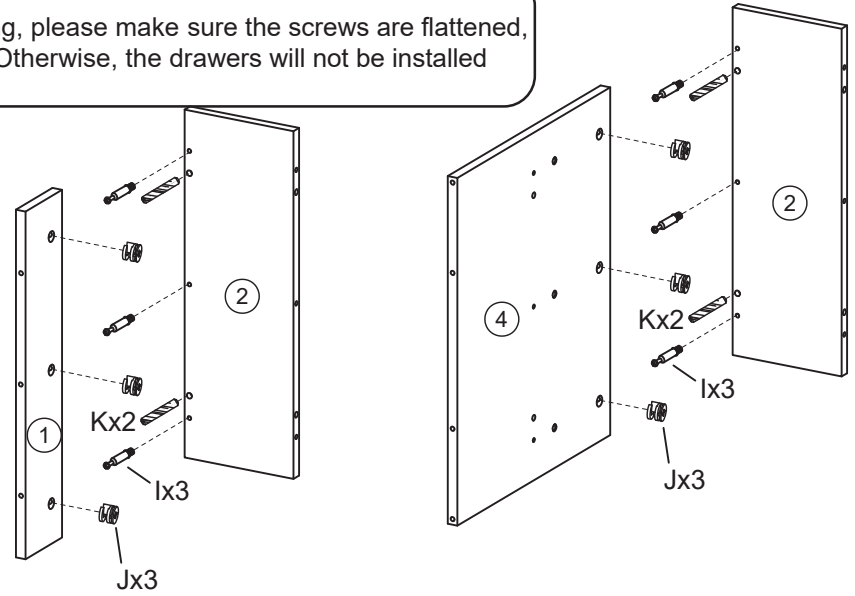
SKU: A-PS001



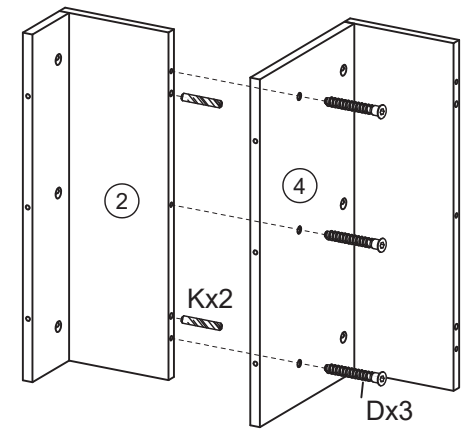
A	x1	B	x24	C	x4	D	x21	I	x18	J	x18	K	x16	L	x2
4mm		M6*35		M6*25		M7*40		M6*35				Ø8*30		M6*35	



Step 1
REMARK:
 When installing, please make sure the screws are flattened, Not crooked; Otherwise, the drawers will not be installed perfectly.



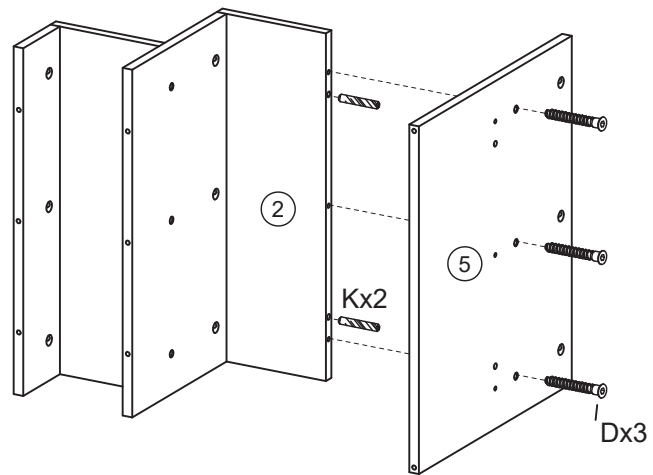
Step 2
REMARK:
 When installing, please make sure the screws are flattened, Not crooked; Otherwise, the drawers will not be installed perfectly.



Step 3

REMARK:

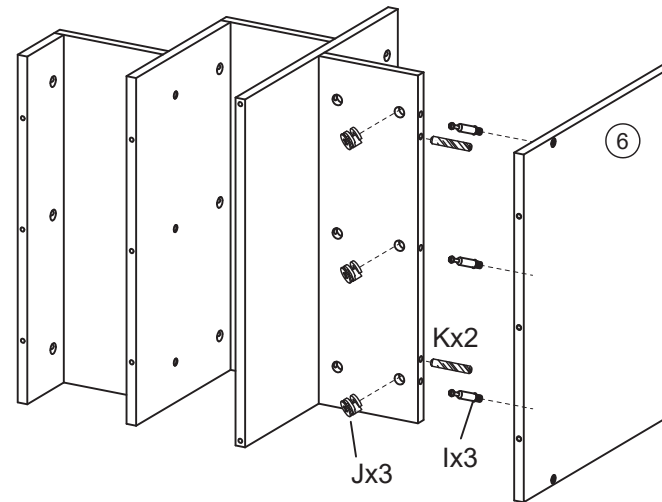
When installing, please make sure the screws are flattened, Not crooked; Otherwise, the drawers will not be installed perfectly.



Step 5

REMARK:

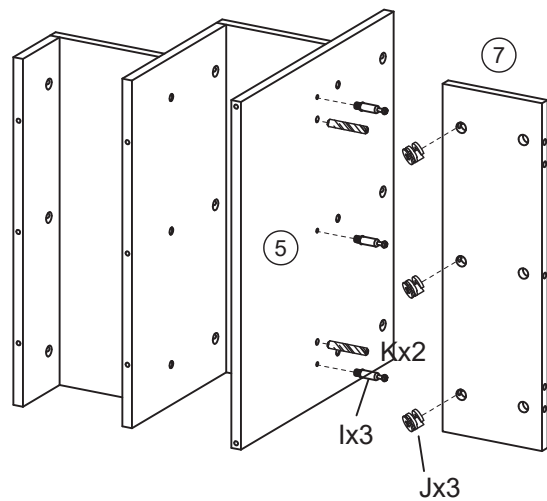
When installing, please make sure the screws are flattened, Not crooked; Otherwise, the drawers will not be installed perfectly.



Step 4

REMARK:

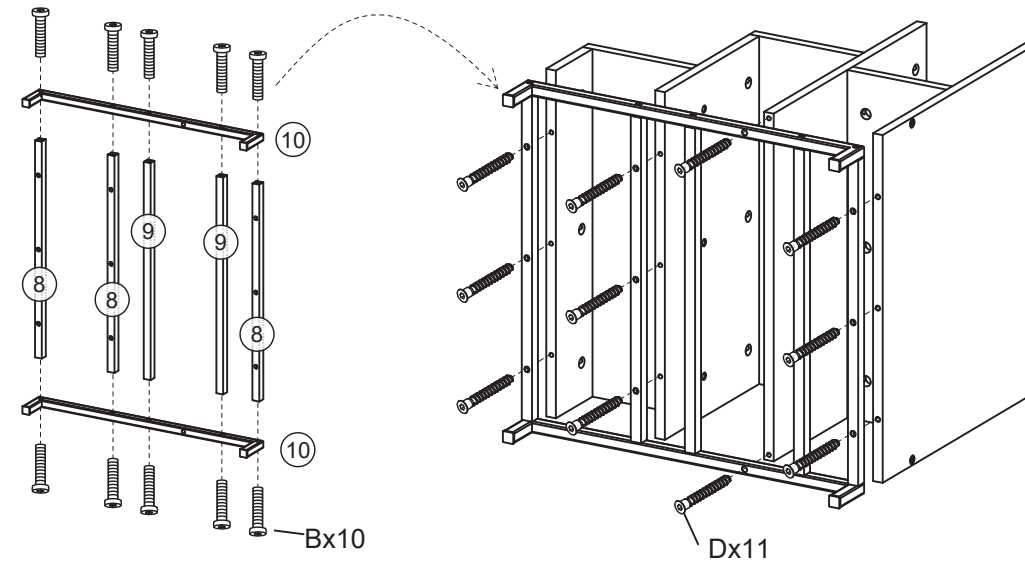
When installing, please make sure the screws are flattened, Not crooked; Otherwise, the drawers will not be installed perfectly.



Step 6

REMARK:

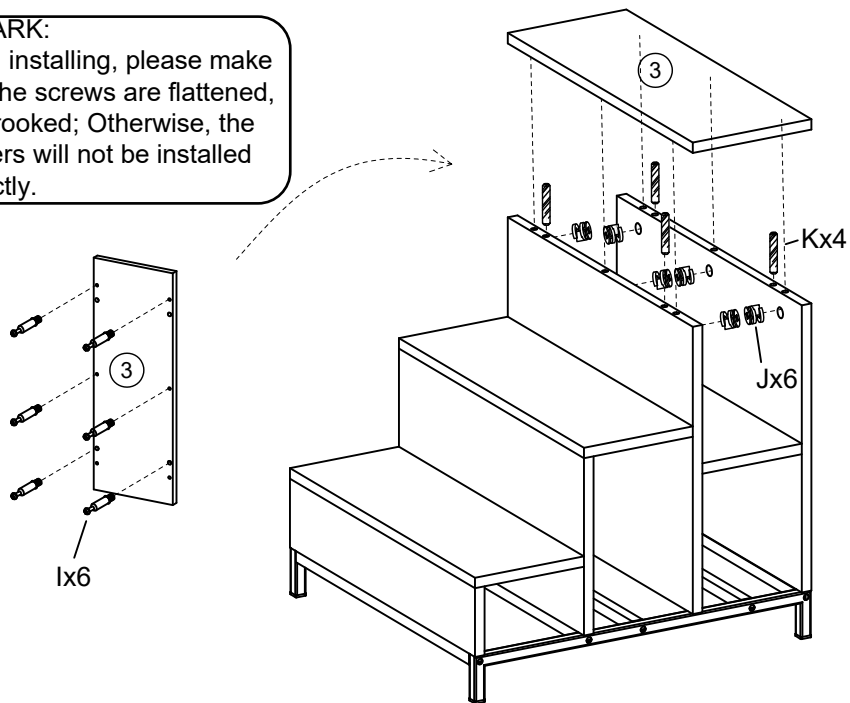
When installing, please make sure the screws are flattened, Not crooked; Otherwise, the drawers will not be installed perfectly.



Step 7

REMARK:

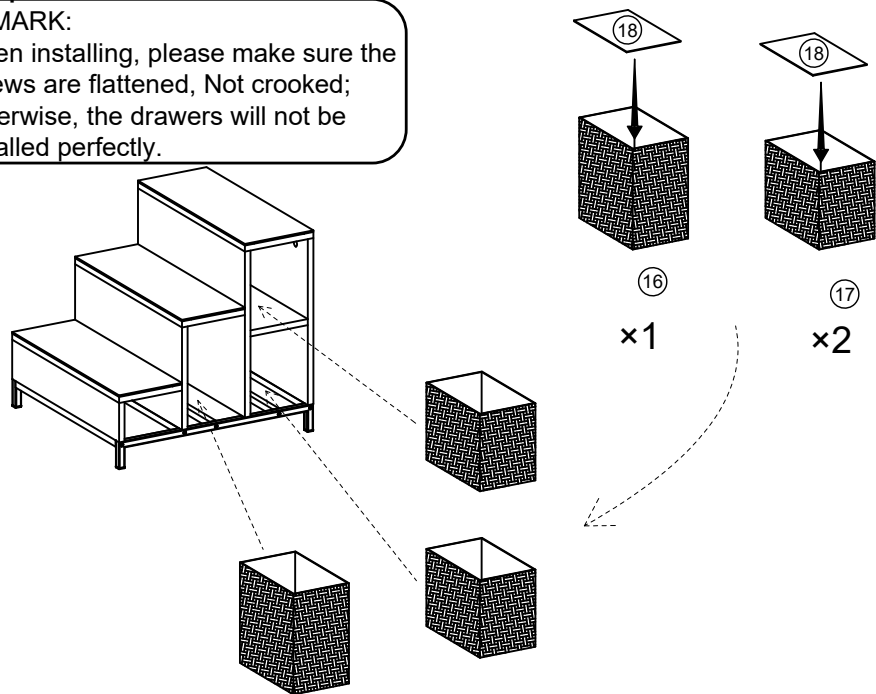
When installing, please make sure the screws are flattened, Not crooked; Otherwise, the drawers will not be installed perfectly.



Step 8

REMARK:

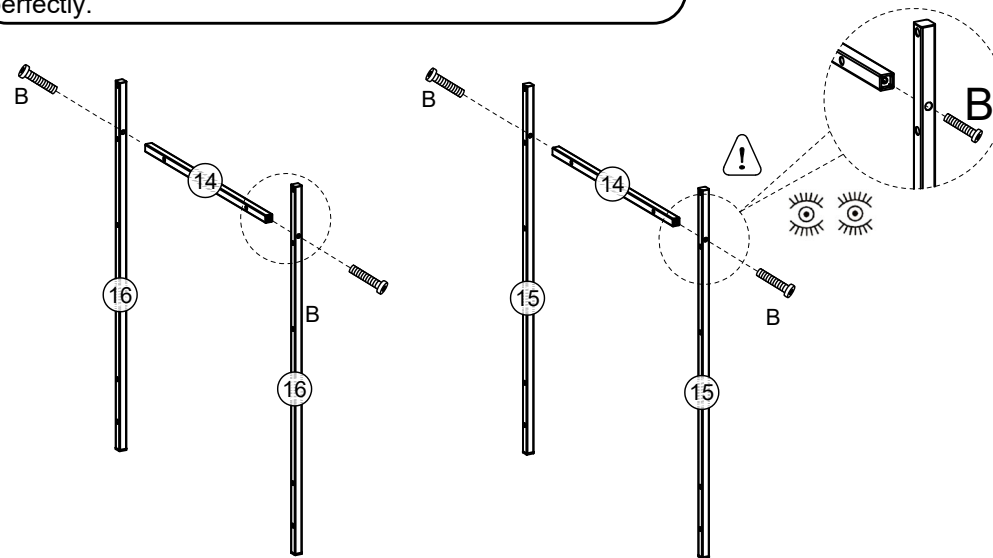
When installing, please make sure the screws are flattened, Not crooked; Otherwise, the drawers will not be installed perfectly.



Step 9

REMARK:

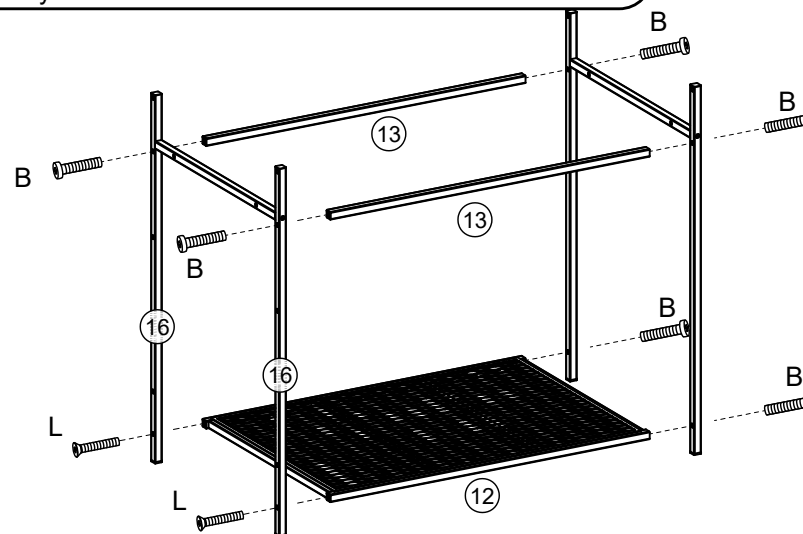
When installing, please make sure the screws are flattened, Not crooked; Otherwise, the drawers will not be installed perfectly.



Step 10

REMARK:

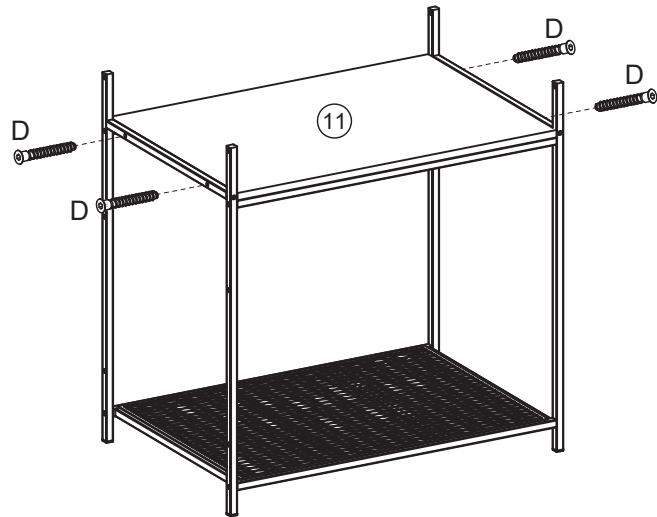
When installing, please make sure the screws are flattened, Not crooked; Otherwise, the drawers will not be installed perfectly.



Step 11

REMARK:

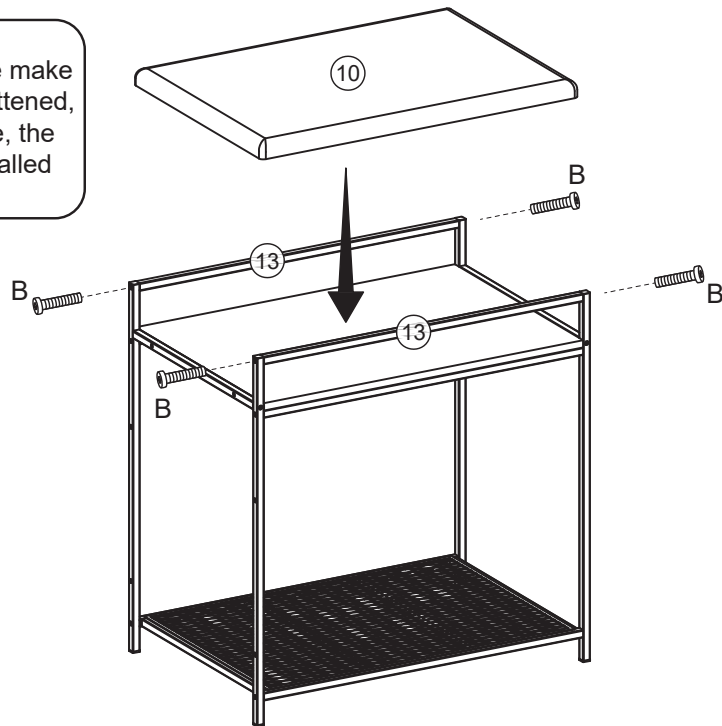
When installing, please make sure the screws are flattened, Not crooked; Otherwise, the drawers will not be installed perfectly.



Step 12

REMARK:

When installing, please make sure the screws are flattened, Not crooked; Otherwise, the drawers will not be installed perfectly.



Step 13

REMARK:

When installing, please make sure the screws are flattened, Not crooked; Otherwise, the drawers will not be installed perfectly.

