



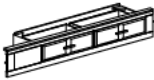

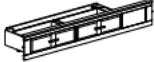













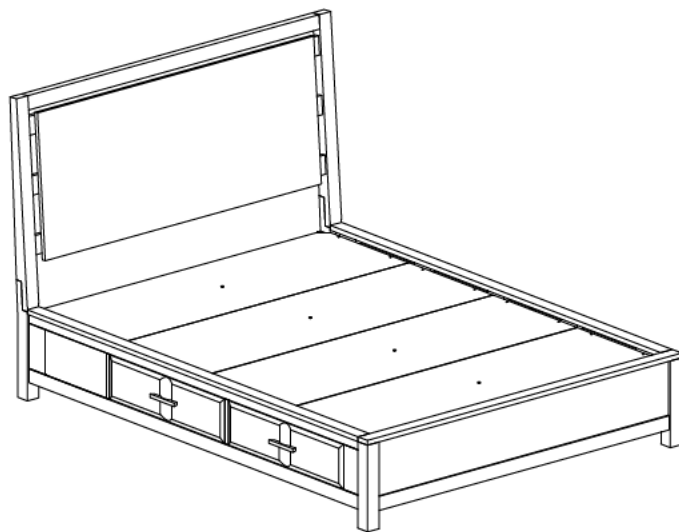
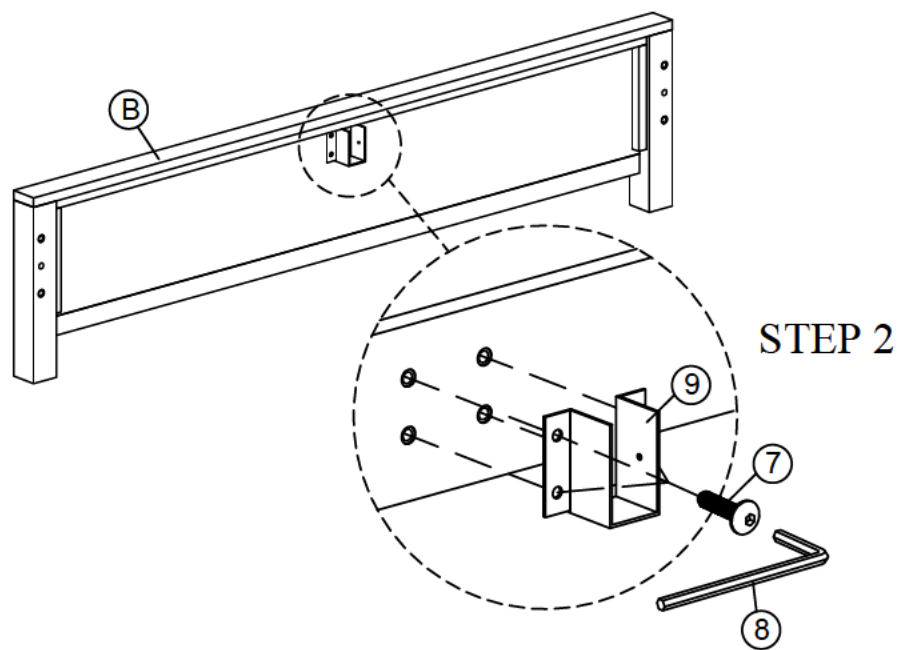
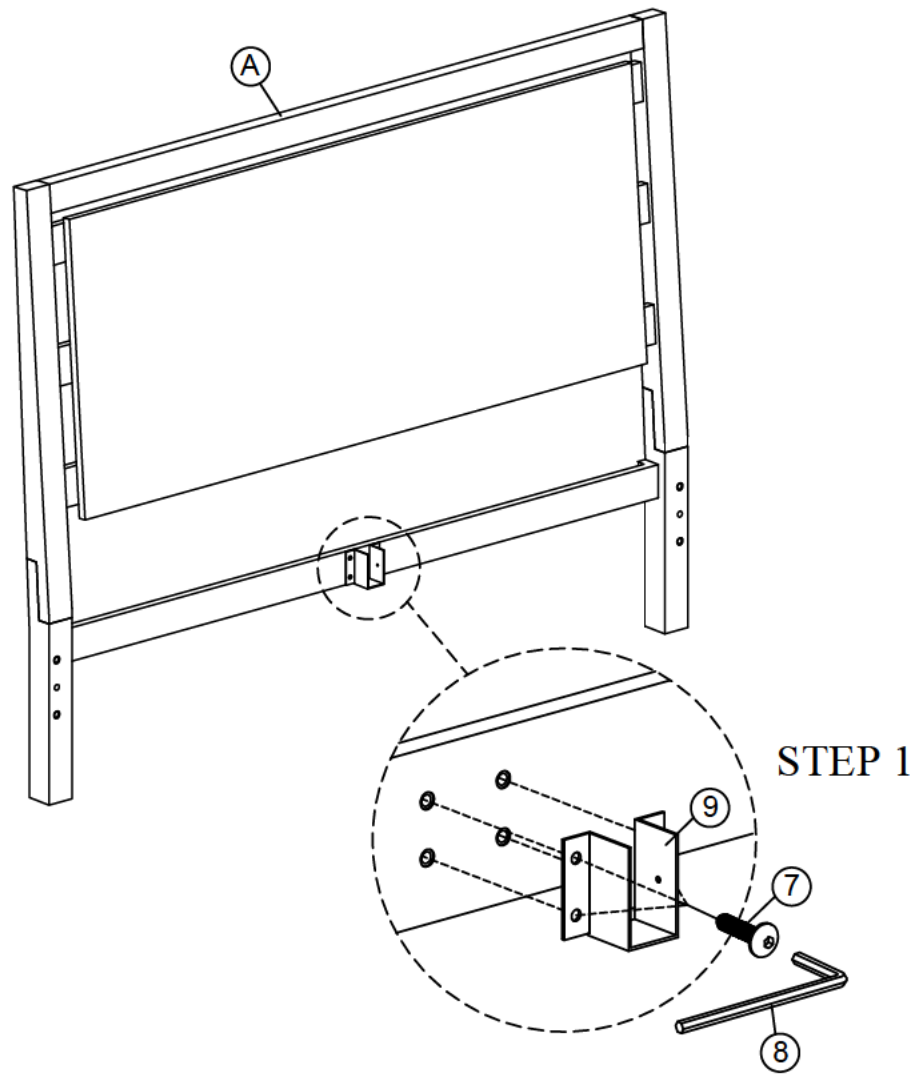
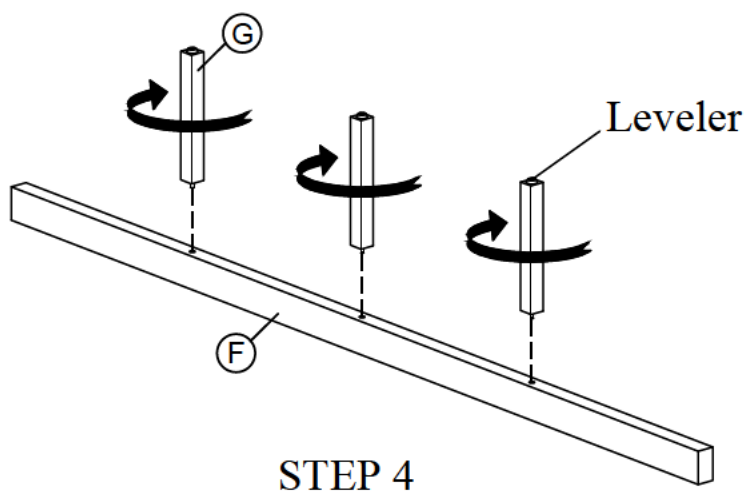
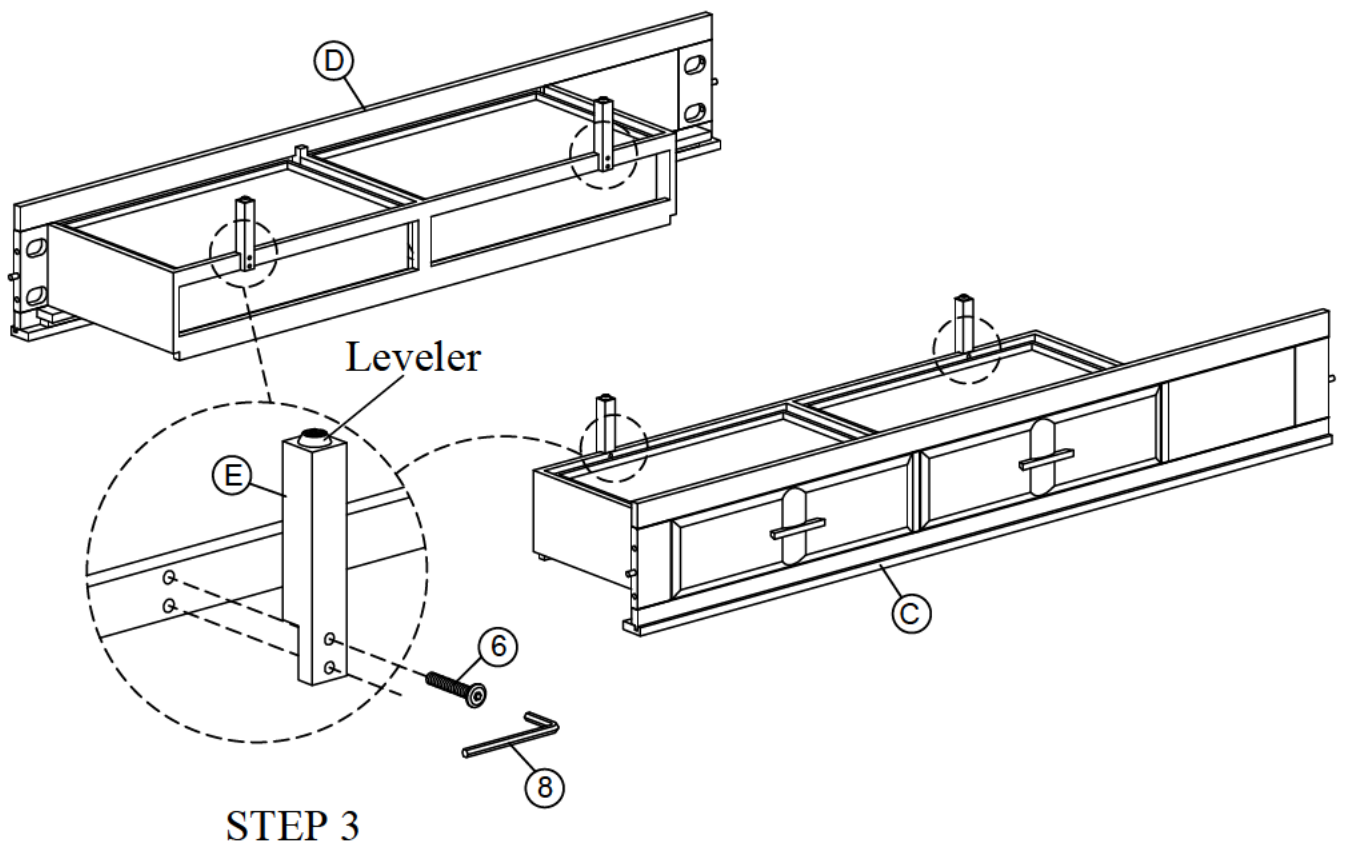


ASSEMBLY INSTRUCTIONS

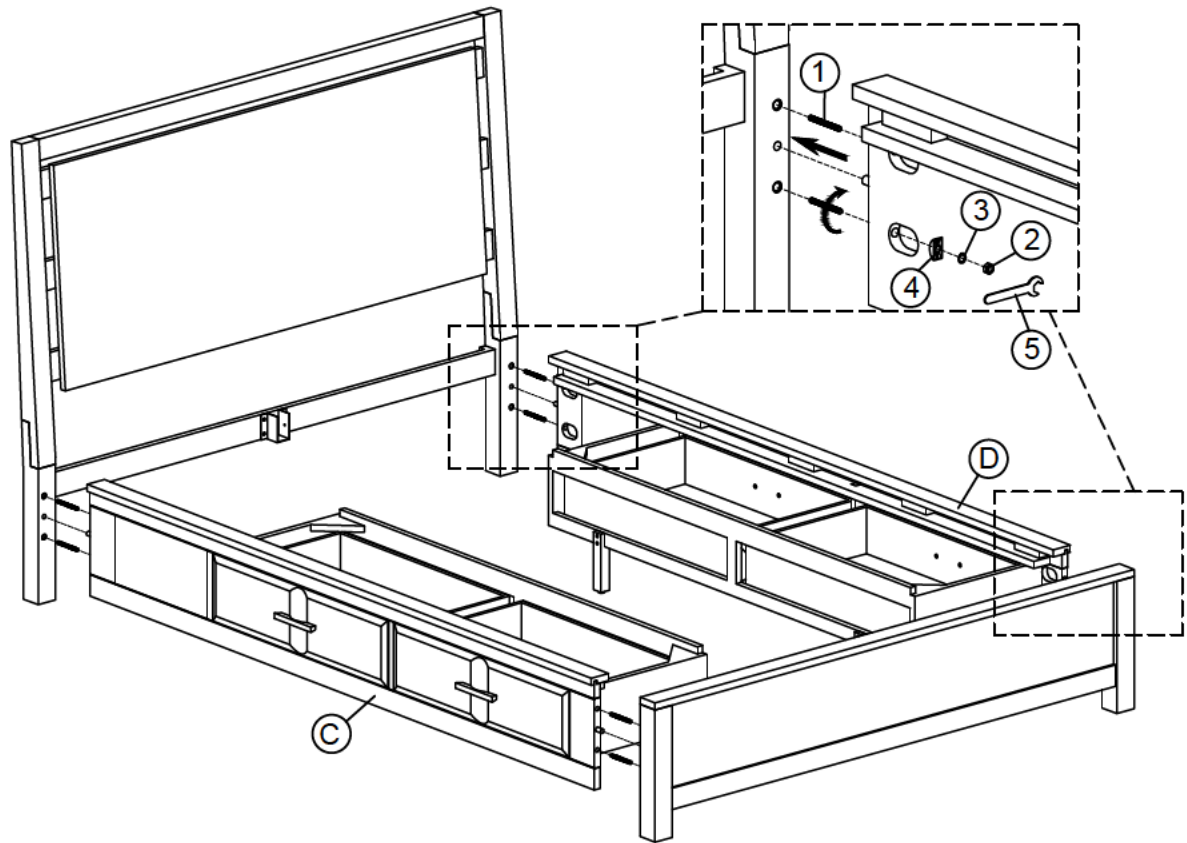
NO.	Parts List		Q' TY	NO.	Hardware list		Q' TY
A		Headboard	1	1		Ø5/16" * 70mm Allen bolt	8
B		Footboard	1	2		Ø5/16" * 12mm Hexagon	8
C		Storage Left Drawer	1	3		8mm Spring washer	8
D		Storage Right Drawer	1	4		Ø5/16" Half moon washer	8
E		Storage Supports Leg	4	5		Wrench (12mm)	1
F		Center Rails	1	6		Bolt Ø1/4"*28mm	8
G		Center Supports	3	7		M6*15mm Allen bolt	8
H		Deck Panel 1	2	8		Allen Key (4*30*80mm)	1
I		Deck Panel 2	2	9		"U" Bracket	2
				10		#8 x 15mm Wood screw	2
				11		#8 x 25mm Wood screw	20



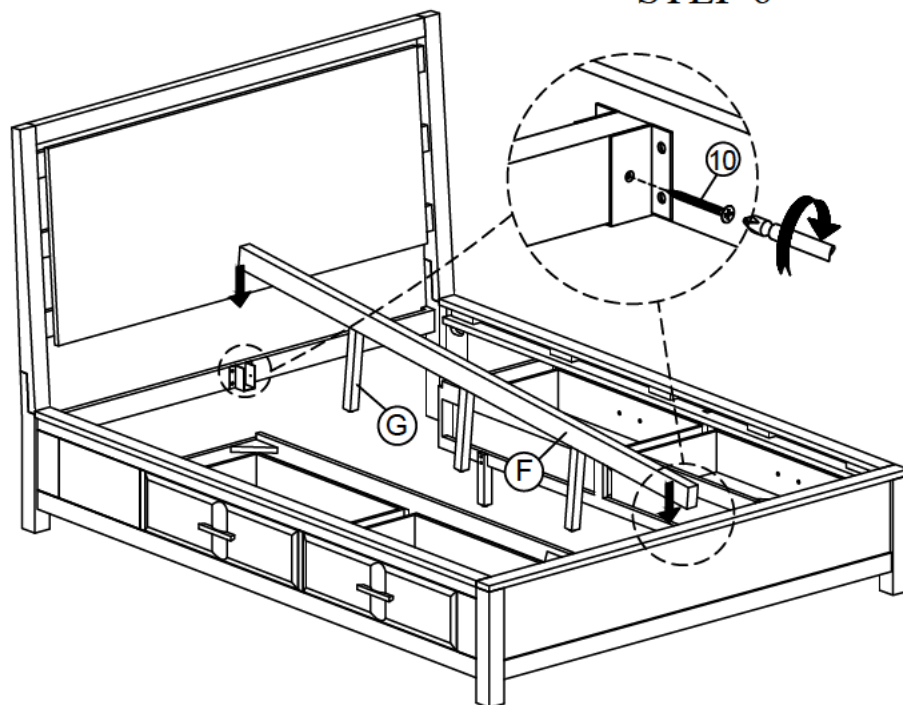




STEP 5



STEP 6



STEP 7

