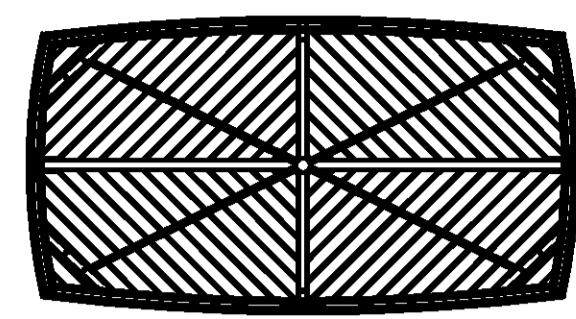

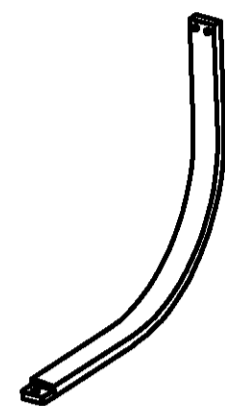
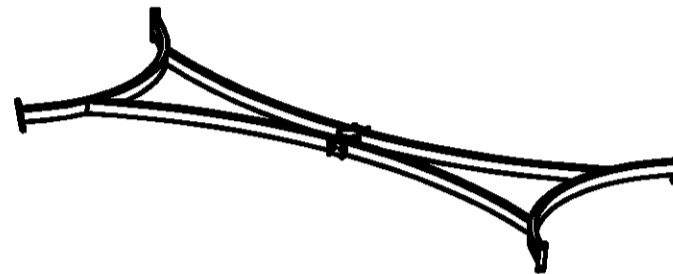
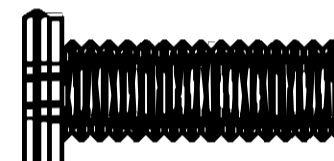

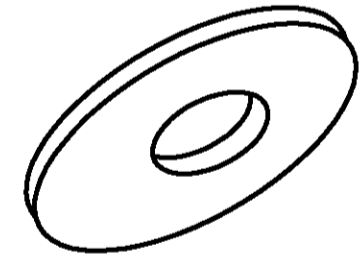
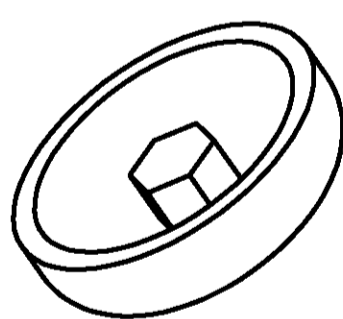
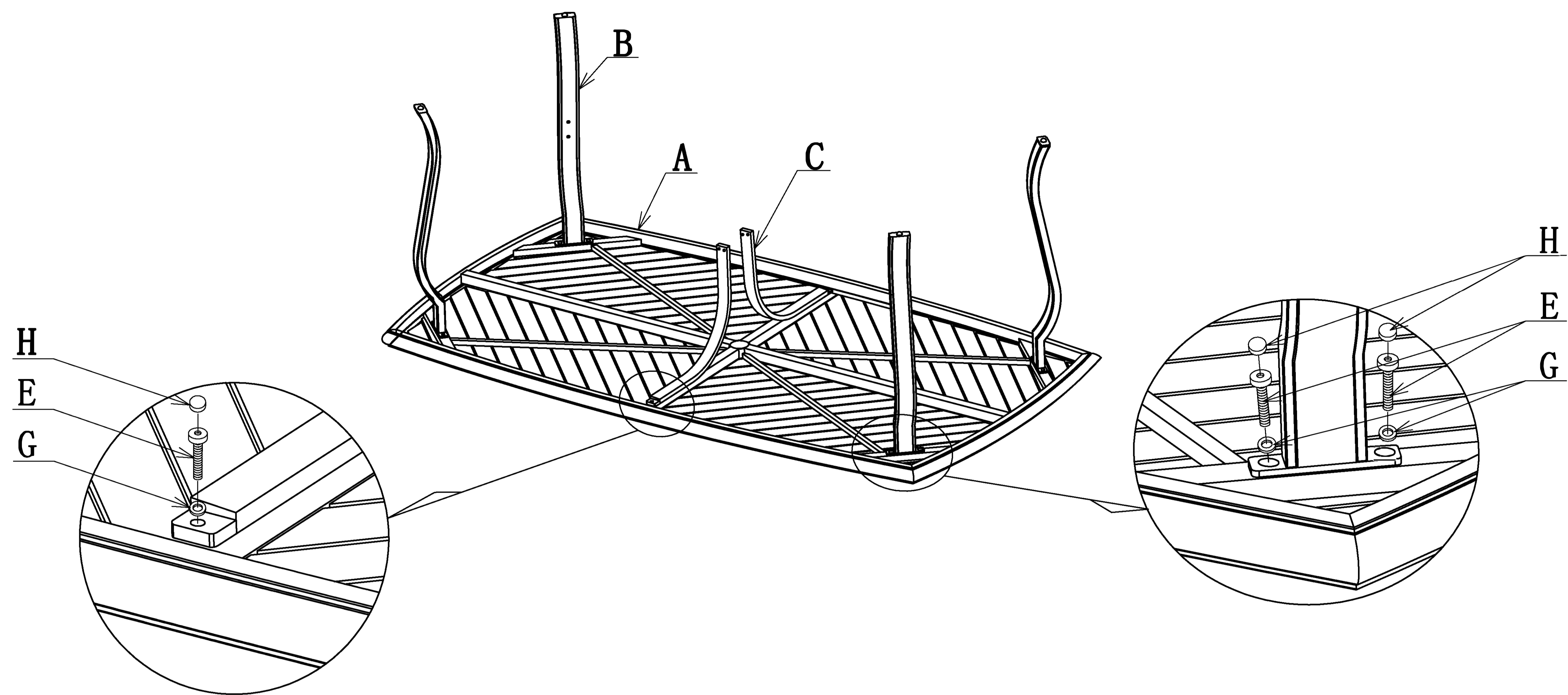
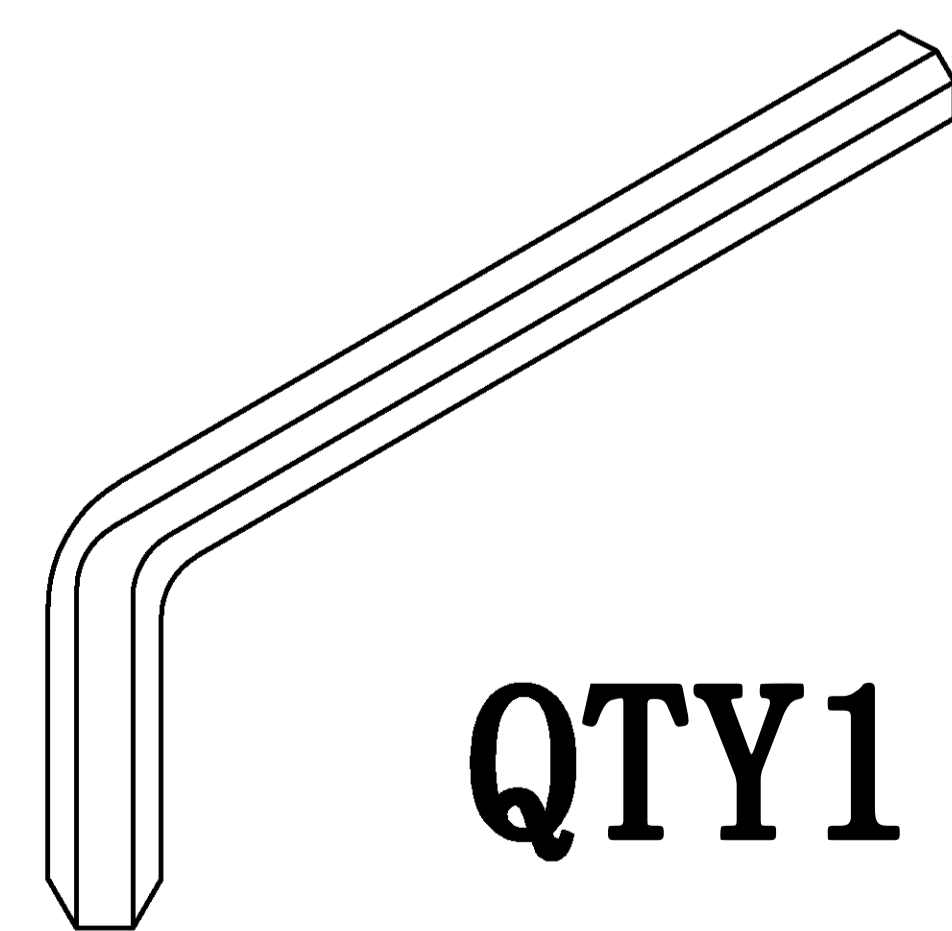
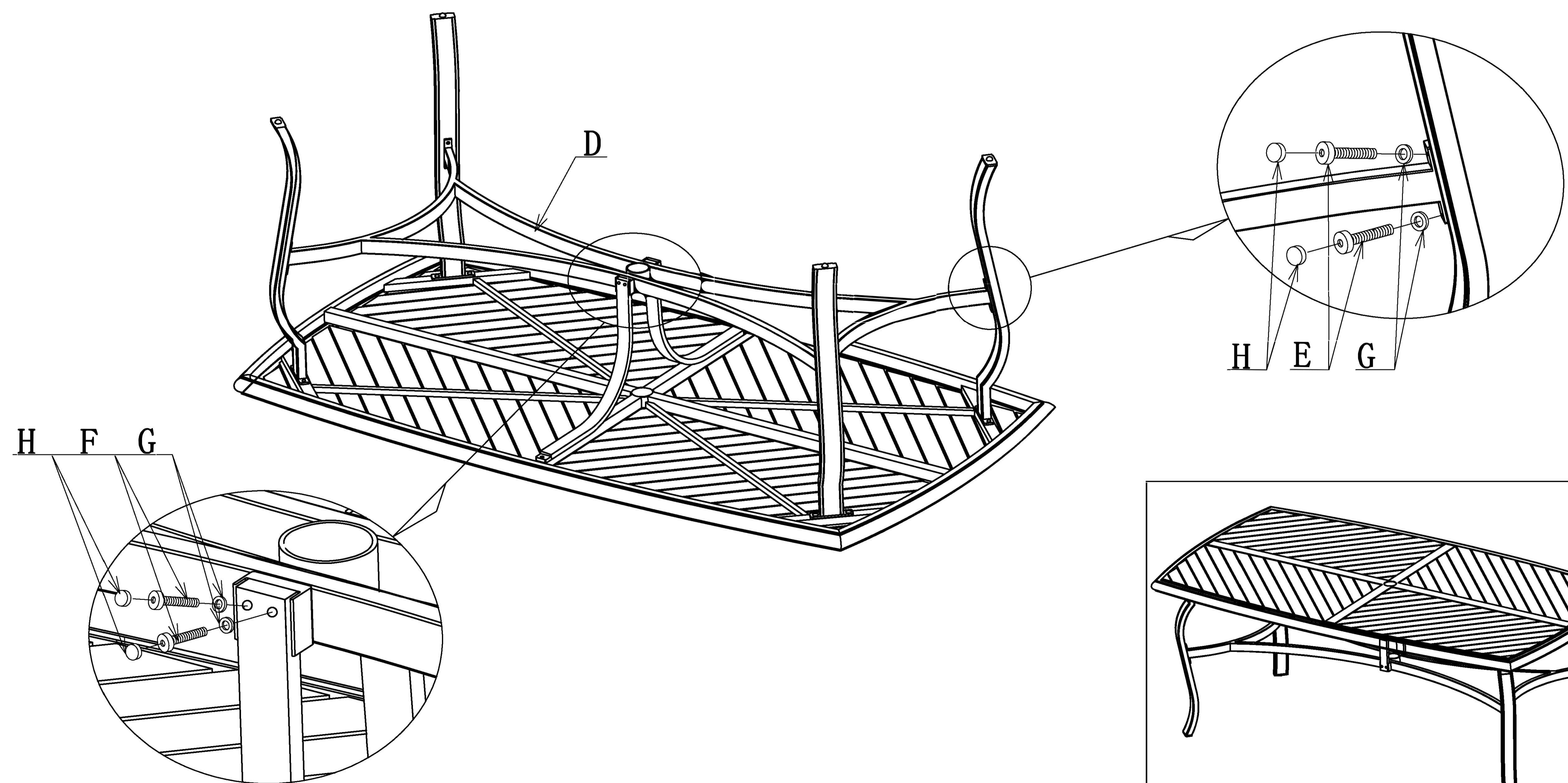


A		TABLE TOP	1PCS
B		LEG	4PCS
C		MIDDLE LEG	2PCS
D		CONNECTOR RING	1PCS
E		BOLT M6*20	18PCS
F		BOLT M6*25	4PCS
G		WASHER	22PCS
H		PLASTIC BOLT CAP	22PCS

## STEP 1



## STEP 2



**QTY1**  
**ALLEN WRENCH**