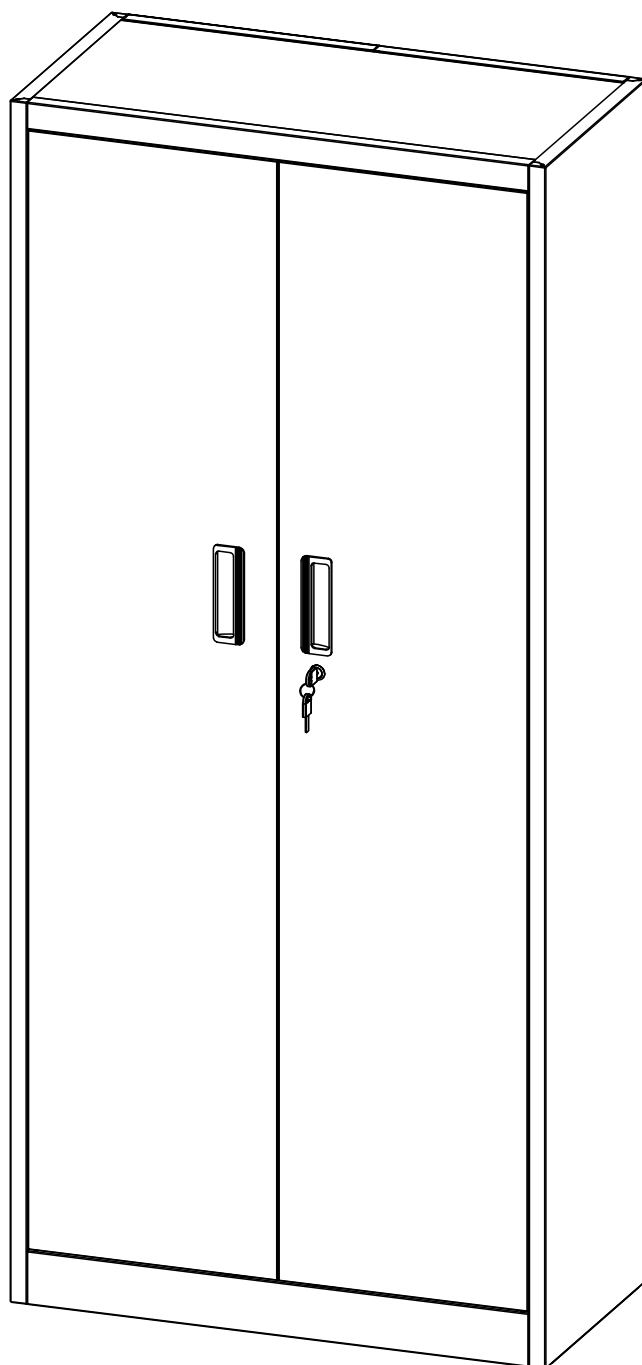
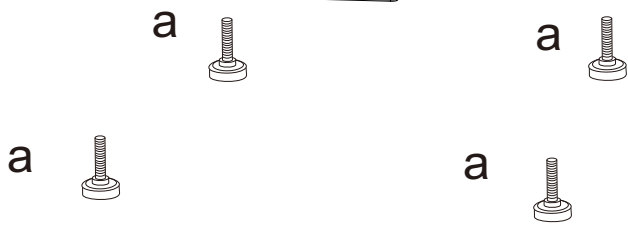
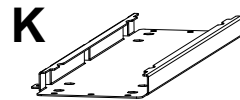
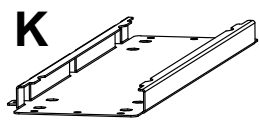
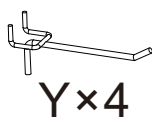
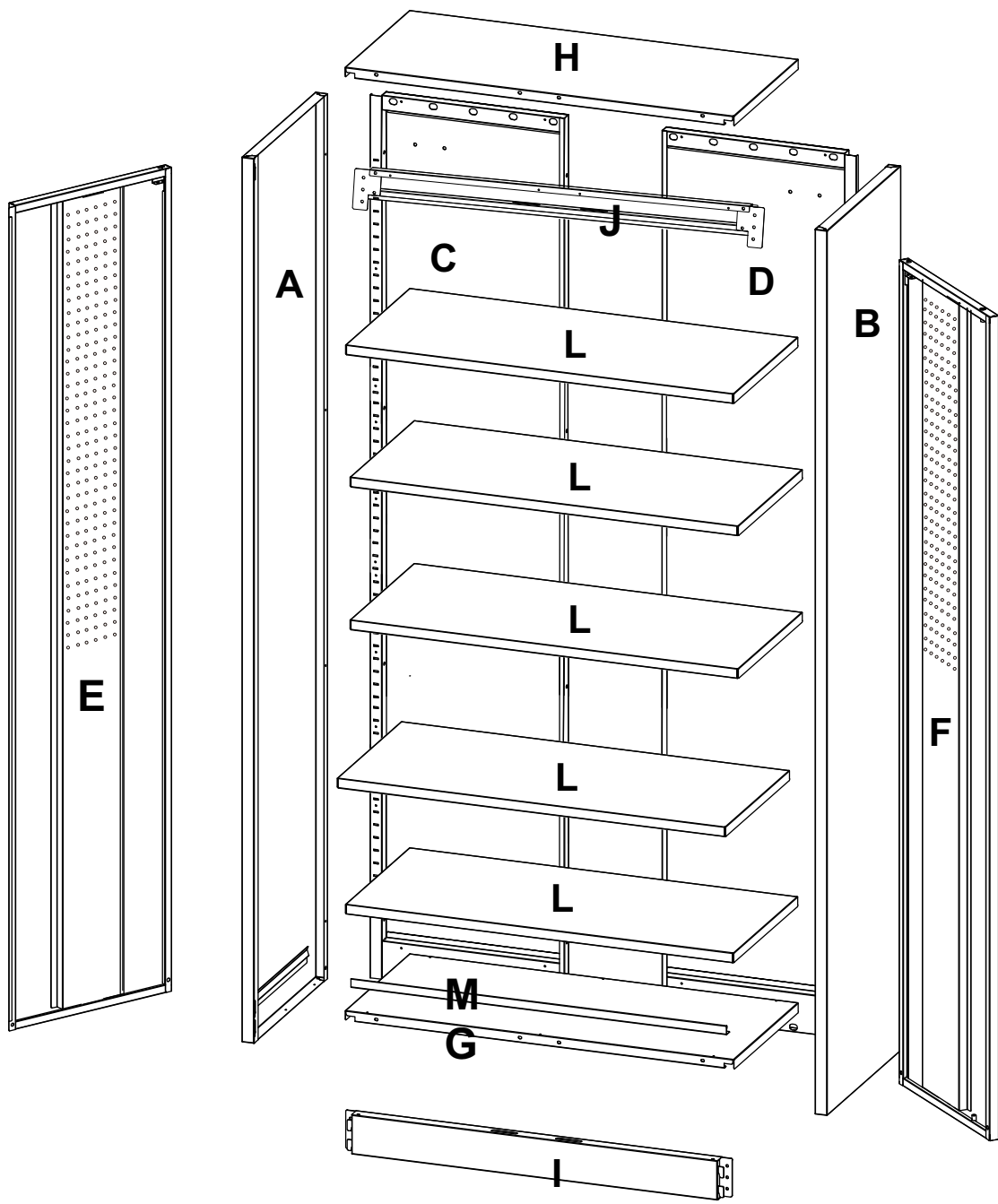
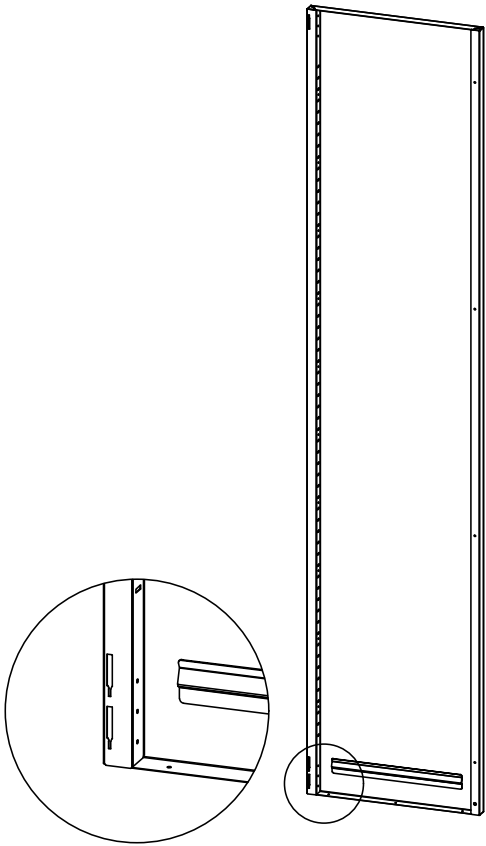


Assembly Instructions

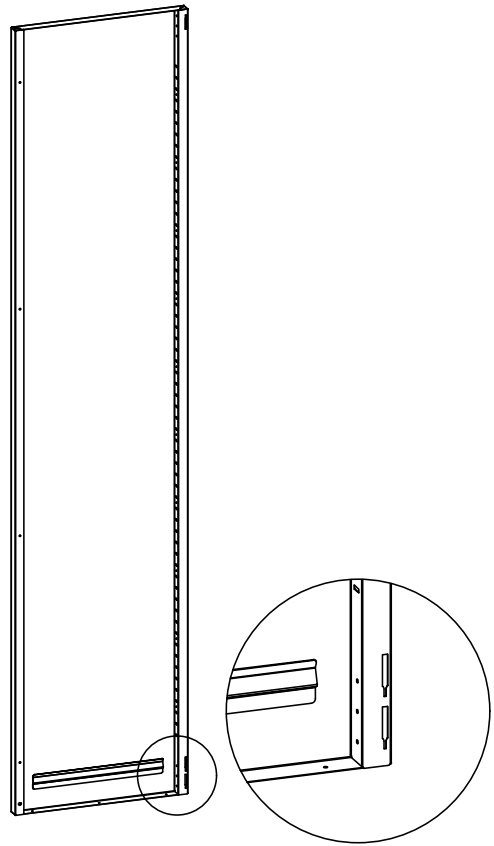




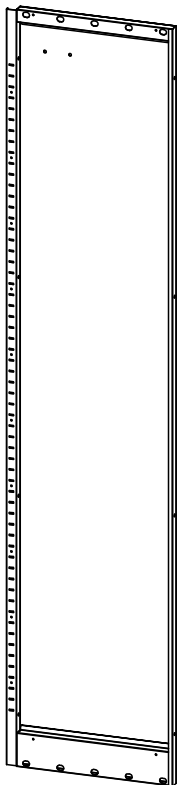
A Left side panel 1PC



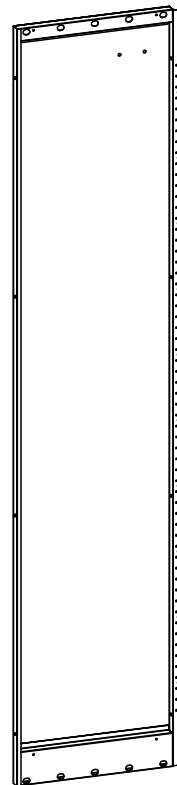
B Right side panel 1PC

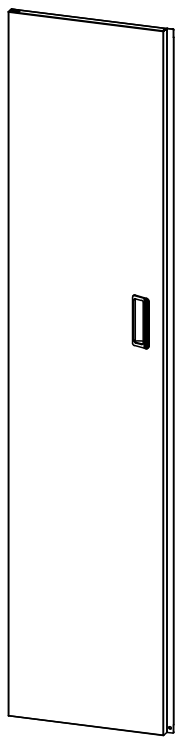


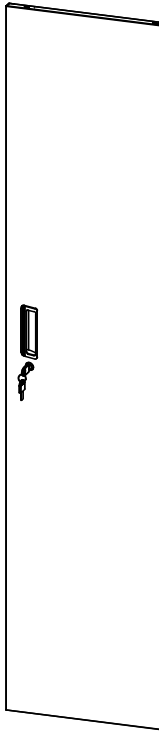
C Left back panel 1PC

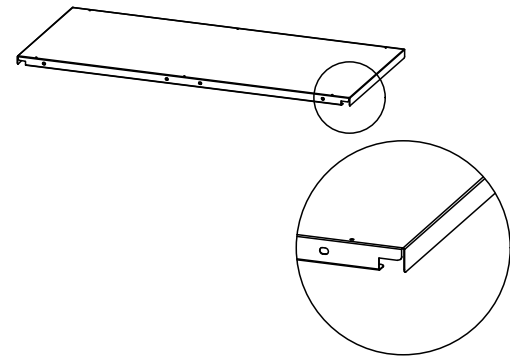


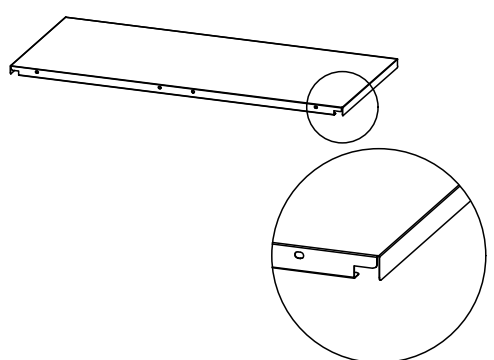
D Right back panel 1PC

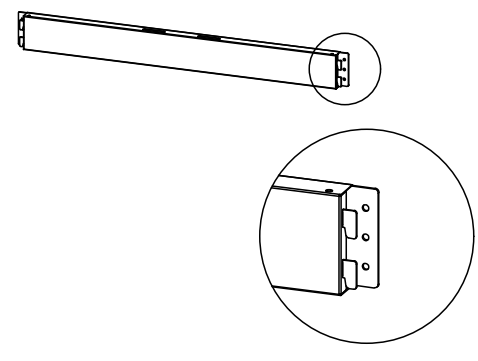


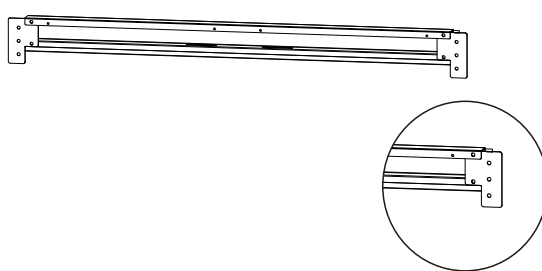
E	Left door	1PC
		

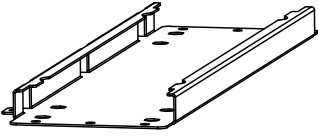
F	Right door	1PC
		

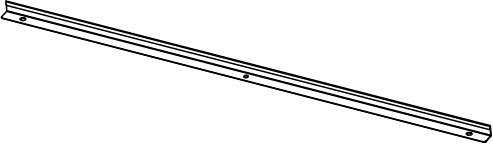
G	Bottom panel	1PC
		

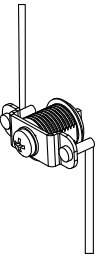
H	Top panel	1PC
		

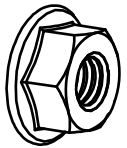
I	Kick plate	1PC
		

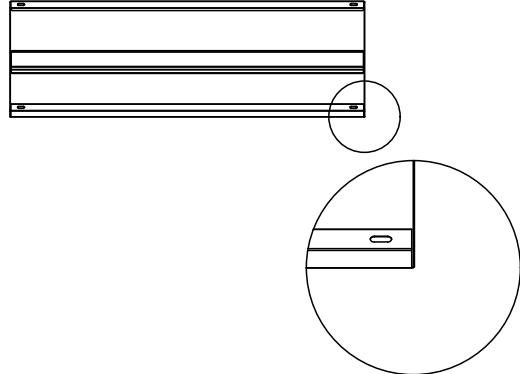
J	Top plate	1PC
		

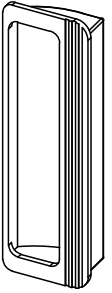
K	Base	2PCS
		

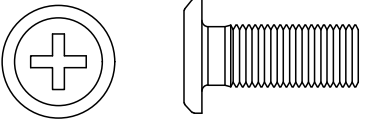
M	Bottom face	1PC
		


e	Lock	1PC
		
<p>Already pre-installed on the right door F</p>		

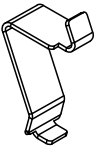
S1	Nut	6PCS
<div style="border: 1px solid black; padding: 2px;">M6</div>		
		


L	Shelf	5PCS
		

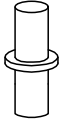
N	Handle	2PCS
		
<p>Already pre-installed on the doors</p>		

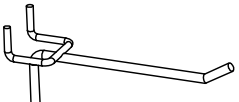
S	6PCS
<div style="border: 1px solid black; padding: 2px;">$\phi 6\text{mm} \times L16\text{mm}$</div>	
	


R	Spring shaft	2PCS
		
<p>Already pre-installed on the doors</p>		

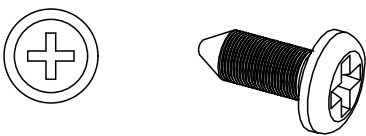
Q	Shelf clasp	20PCS
		

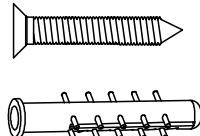
U	Lock rod sleeve	2PCS
		
<p>Already pre-installed on the door</p>		

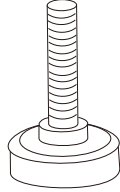
W	Door pivot	2PCS
		


Y	Hook	4PCS
		

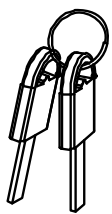
O	Anti-tipping strap	2PCS
		

T	57PCS
$\phi 5\text{mm} \times L10\text{mm}$	
	

V	Expansion screw	2PCS
		

a	Foot	4PCS
		

X	Shim	2PCS
		

Key	2PCS
	
<p>Already attached on the lock rod</p>	



CAUTION

An assistant is required

CUSTOMER FIRST, SERVICE FOREMOST!

Questions? Issues?

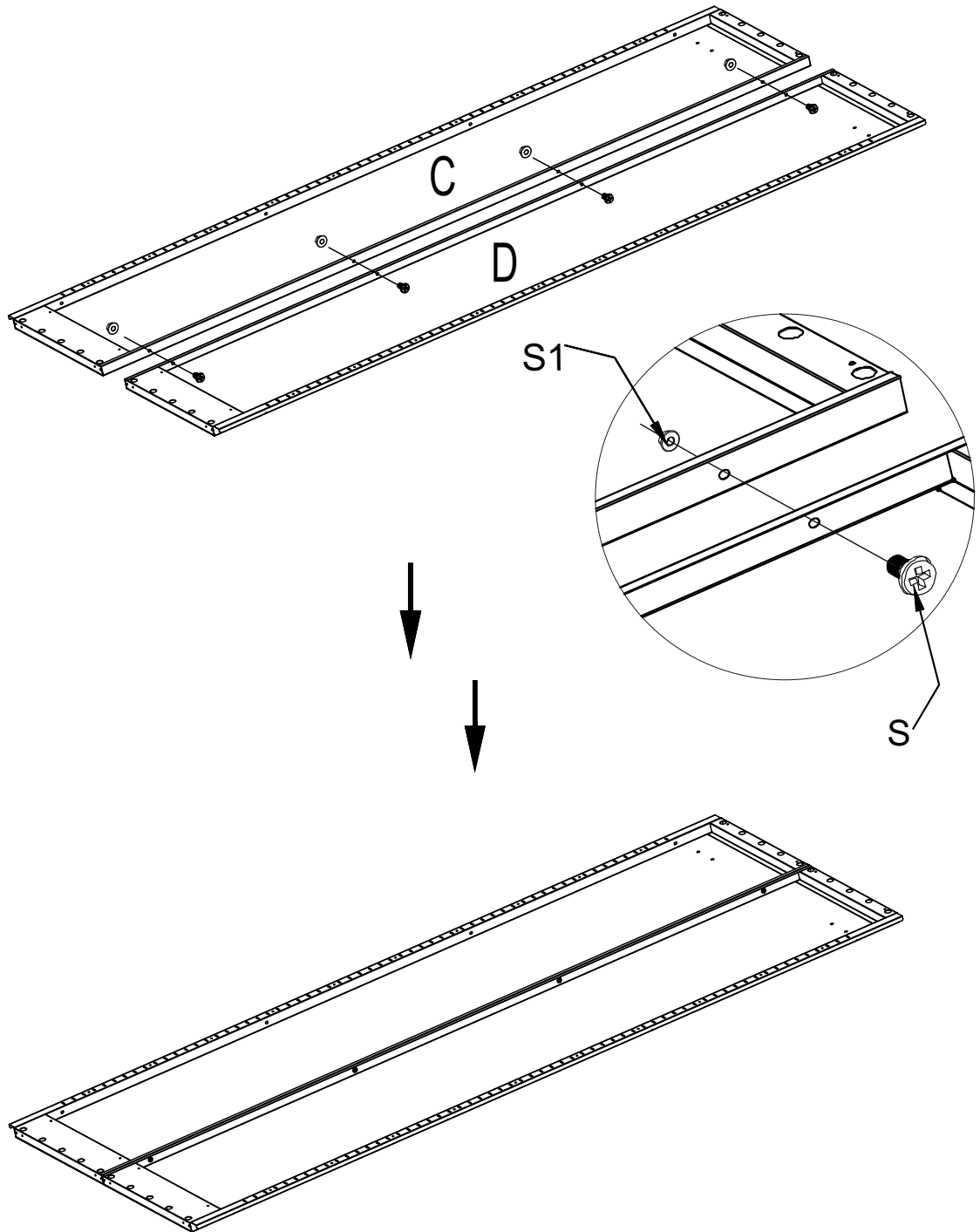
CONTACT US

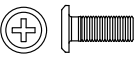

REPLY WITHIN 24 HOURS IN BUSINESS DAYS

Please kindly note:

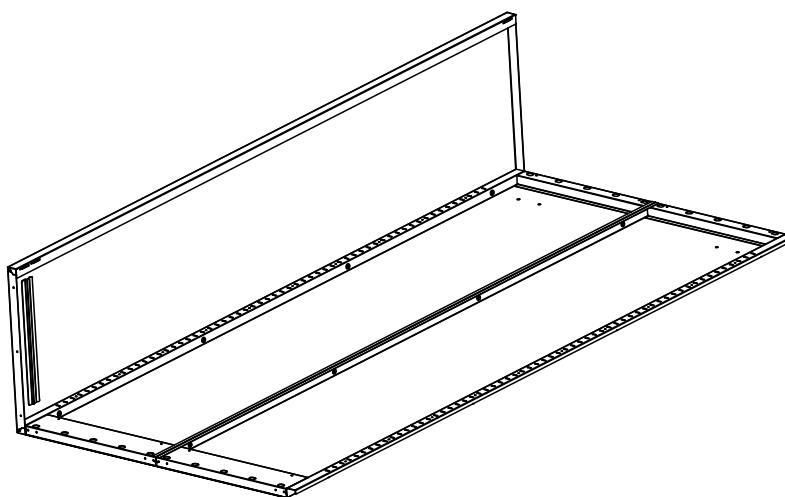
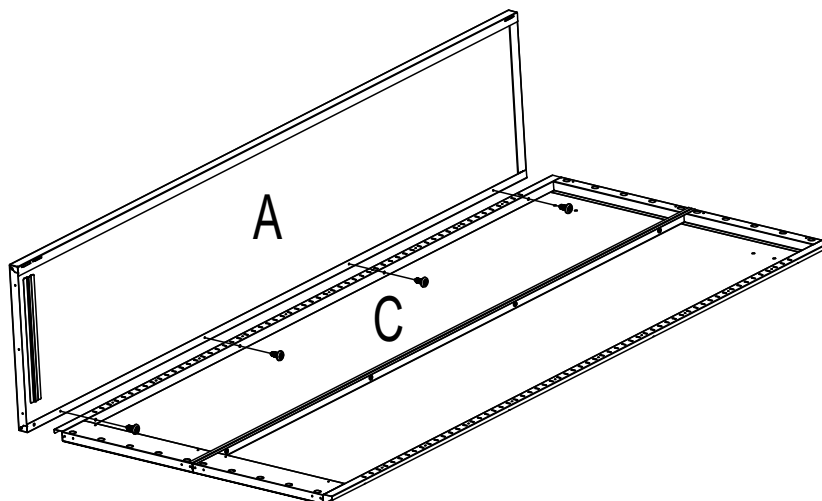
1. Back panels C and D were overlapping in the main doors E and F. Please check them before assembling.
2. When opening the package, you may find 4 corners are equipped with 4 corner protectors. They are used to protect the products from getting damaged in transit, not used to assemble.
3. If there is any problem, please feel free to contact our customer service team and we are always here to assist with you!
4. If there is any slight dent or damage, you can try to fix it by pliers or hammers or contact us.



Step 1: Connect left back panel C and right back panel D by screws S and nuts S1



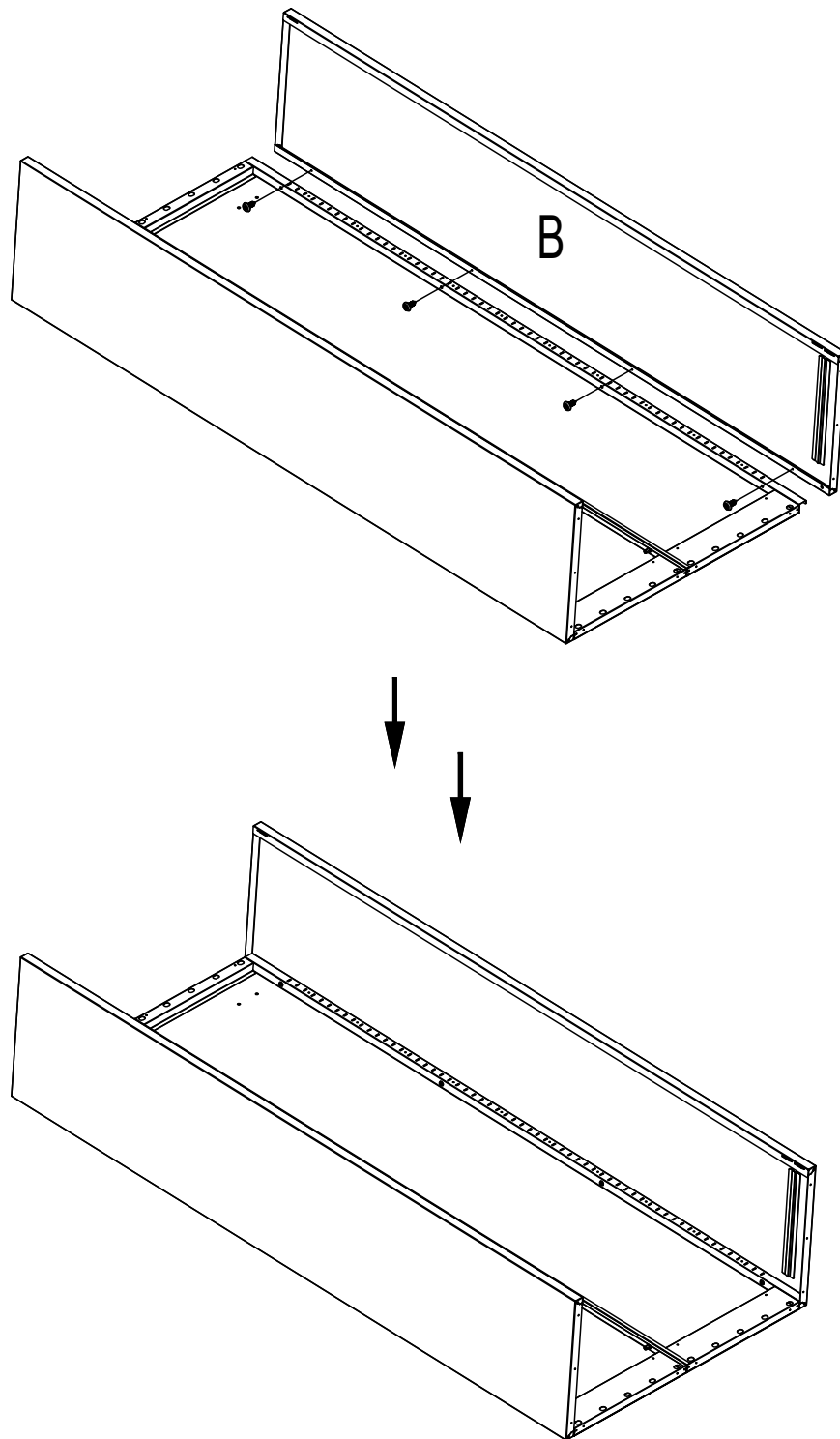
S		4PCS	S1		4PCS
---	---	------	----	---	------



Step 2: Connect left side panel A to left back panel C by screws T



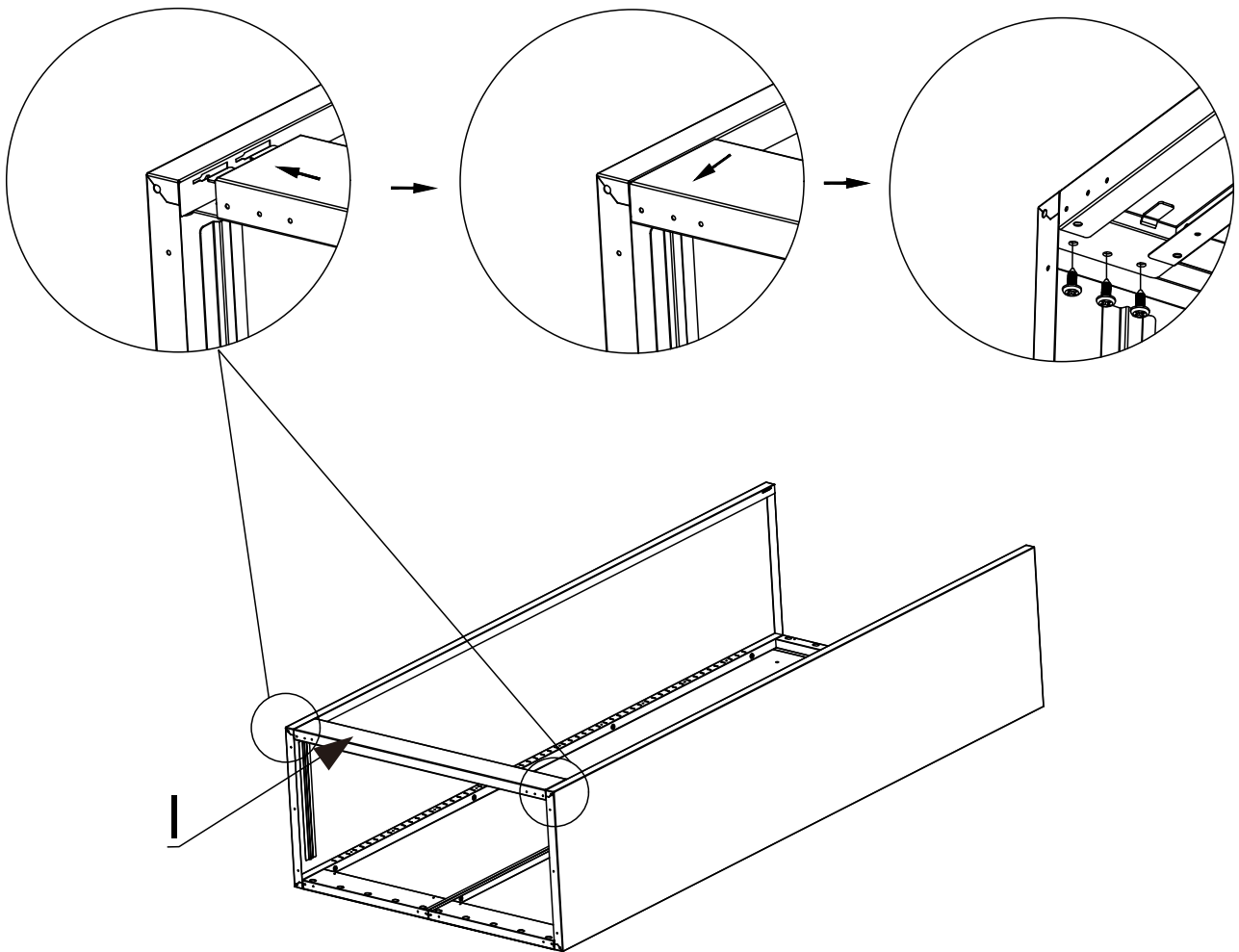
T			4PCS
---	---	---	------



Step 3: Connect right side panel B to right back panel D by screws T



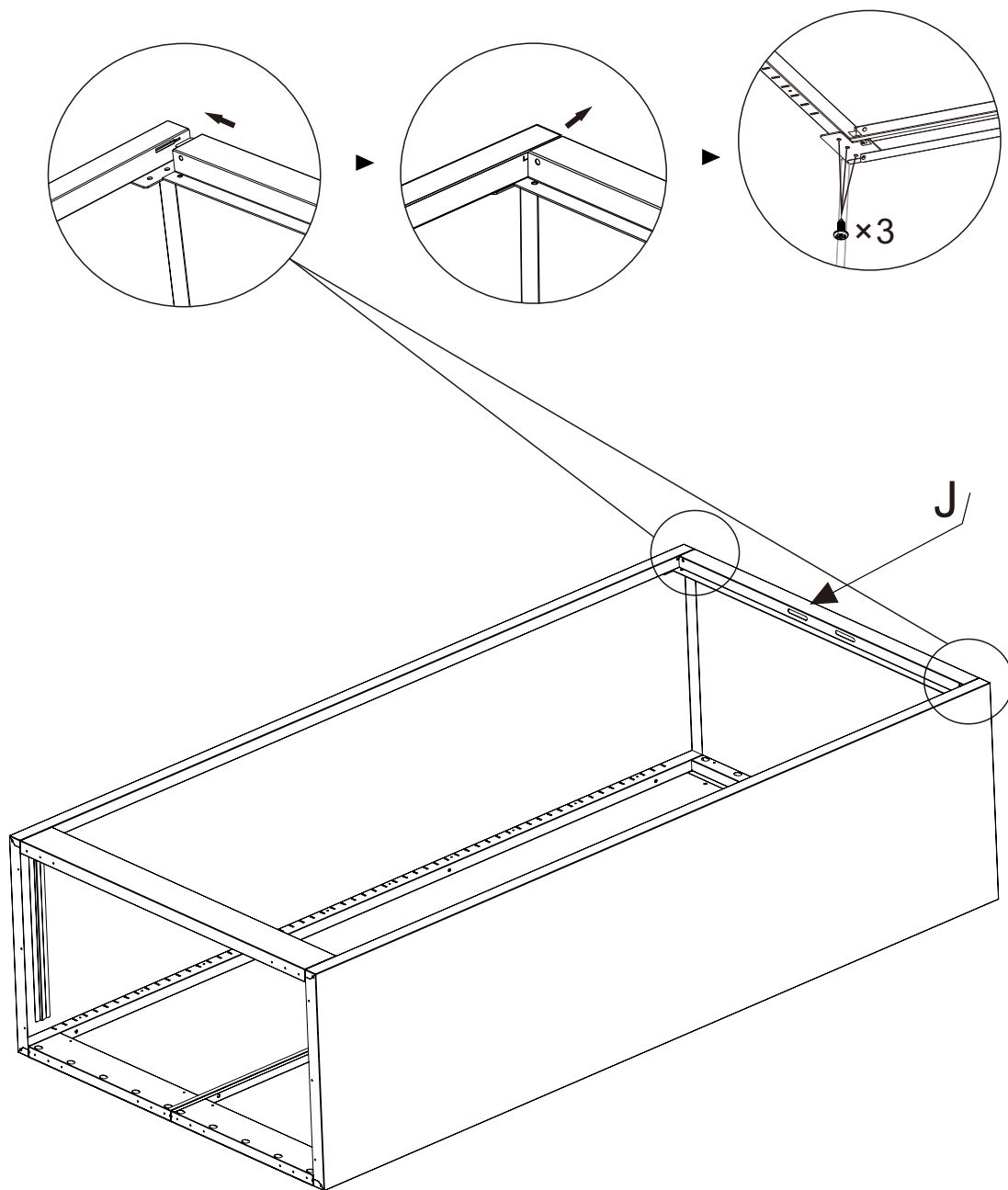
T			4PCS
---	---	---	------



Step 4: Insert kick plate I on the bottom, press it downward, then fix it with screws T



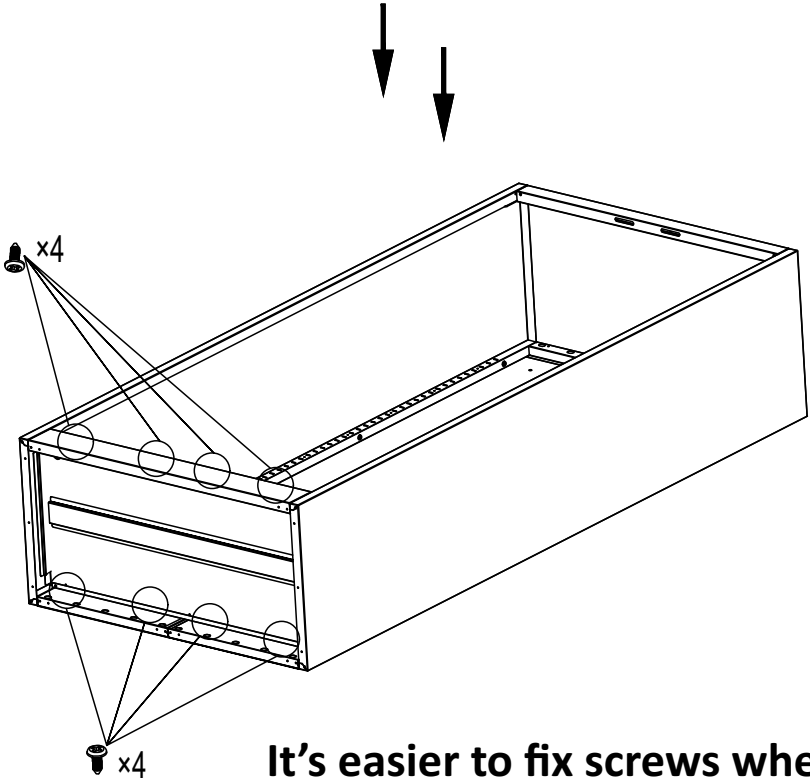
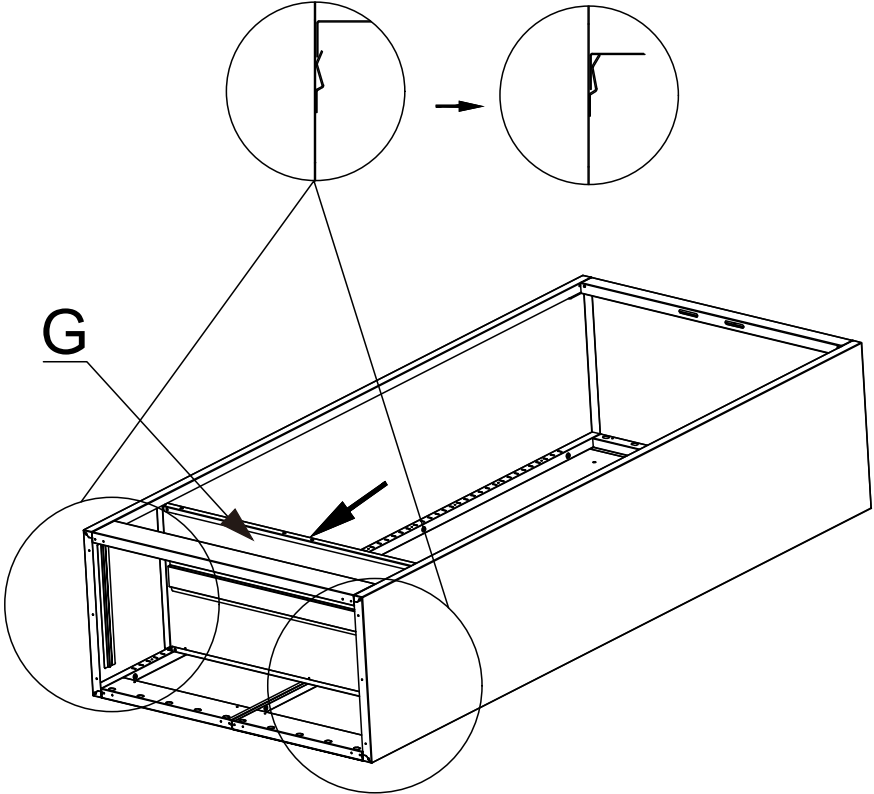
T			6PCS
---	---	---	------

Step 5: Insert top plate J on the top, push it upward, then fix it with screws T





T			6PCS
---	---	---	------

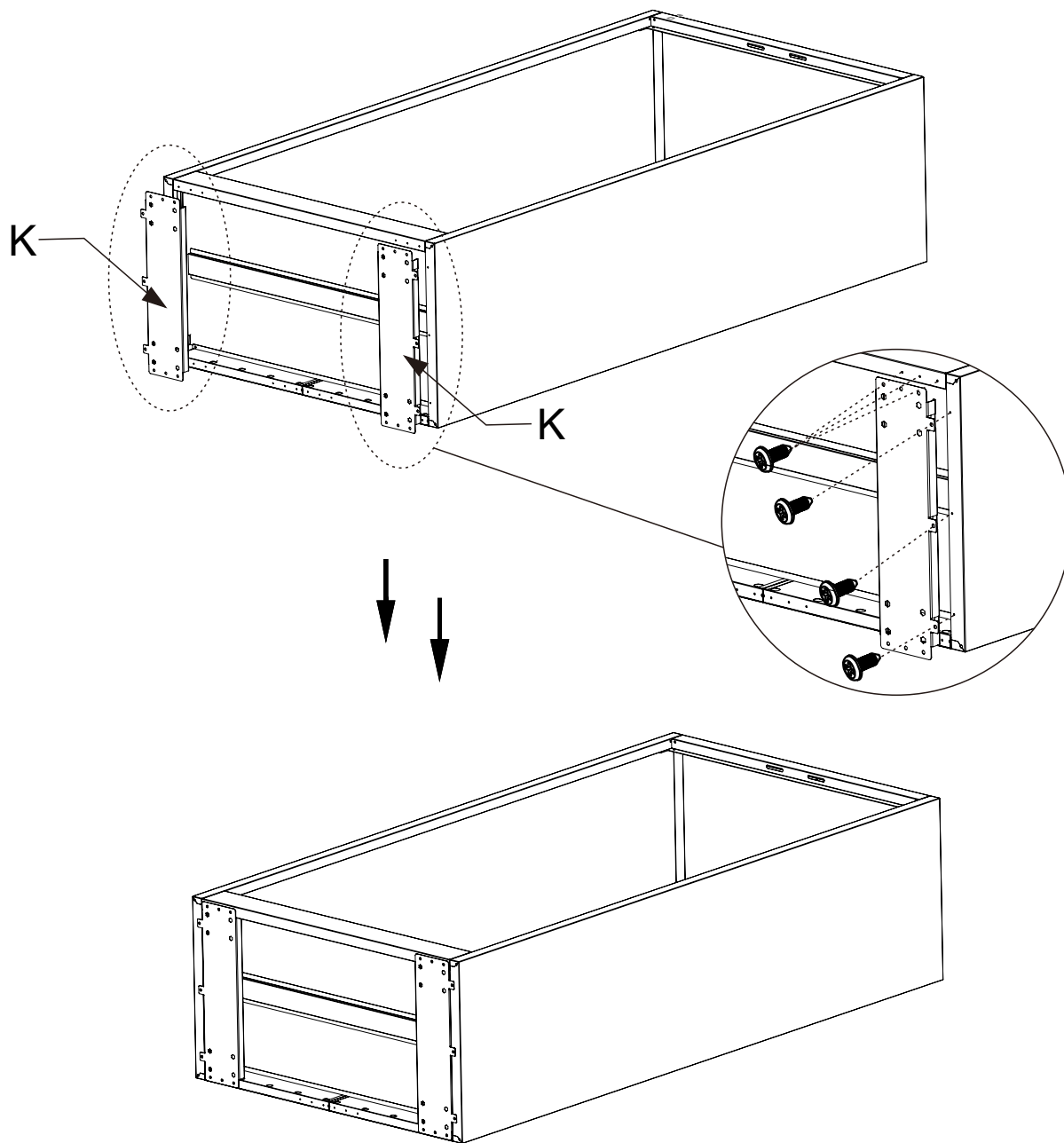
Step 6: Install the bottom panel G and fix it with screws T



It's easier to fix screws when back panels or side panels are put on the floor

T			8PCS
---	---	---	------

Step 7: Install 2 bases K and fix them on the cabinet with screws T

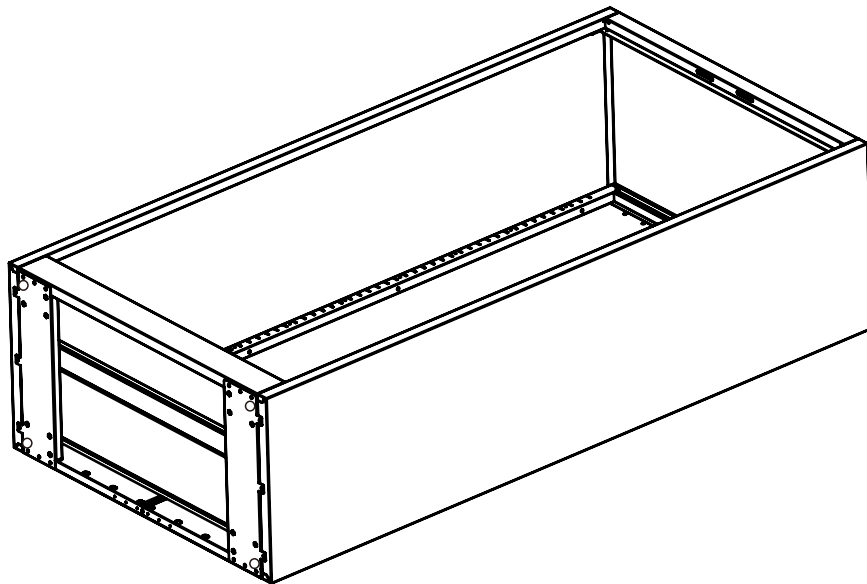
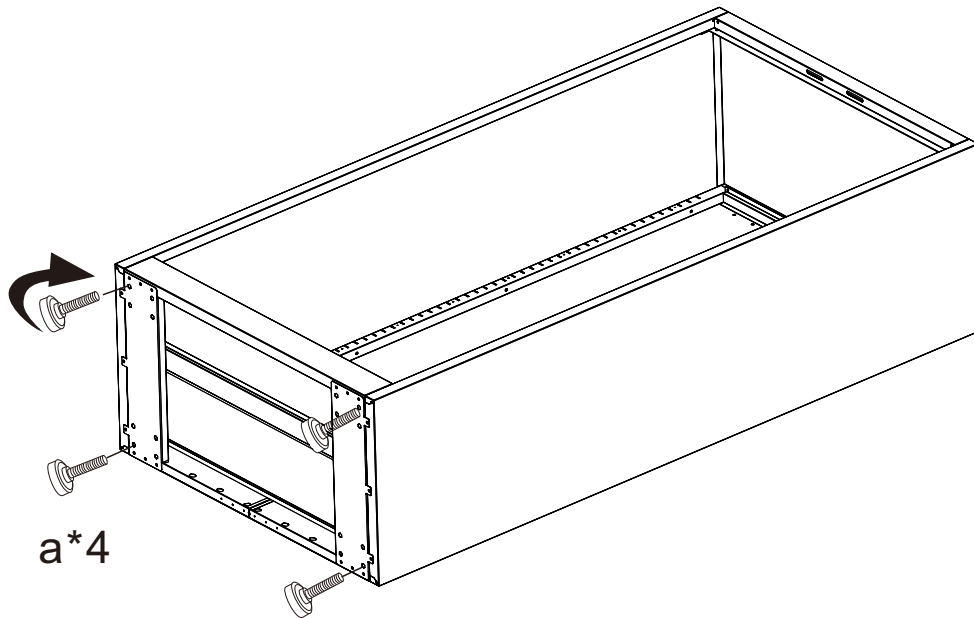


T



18PCS

Step 8: Rotate and install the 4 feet a on the bases



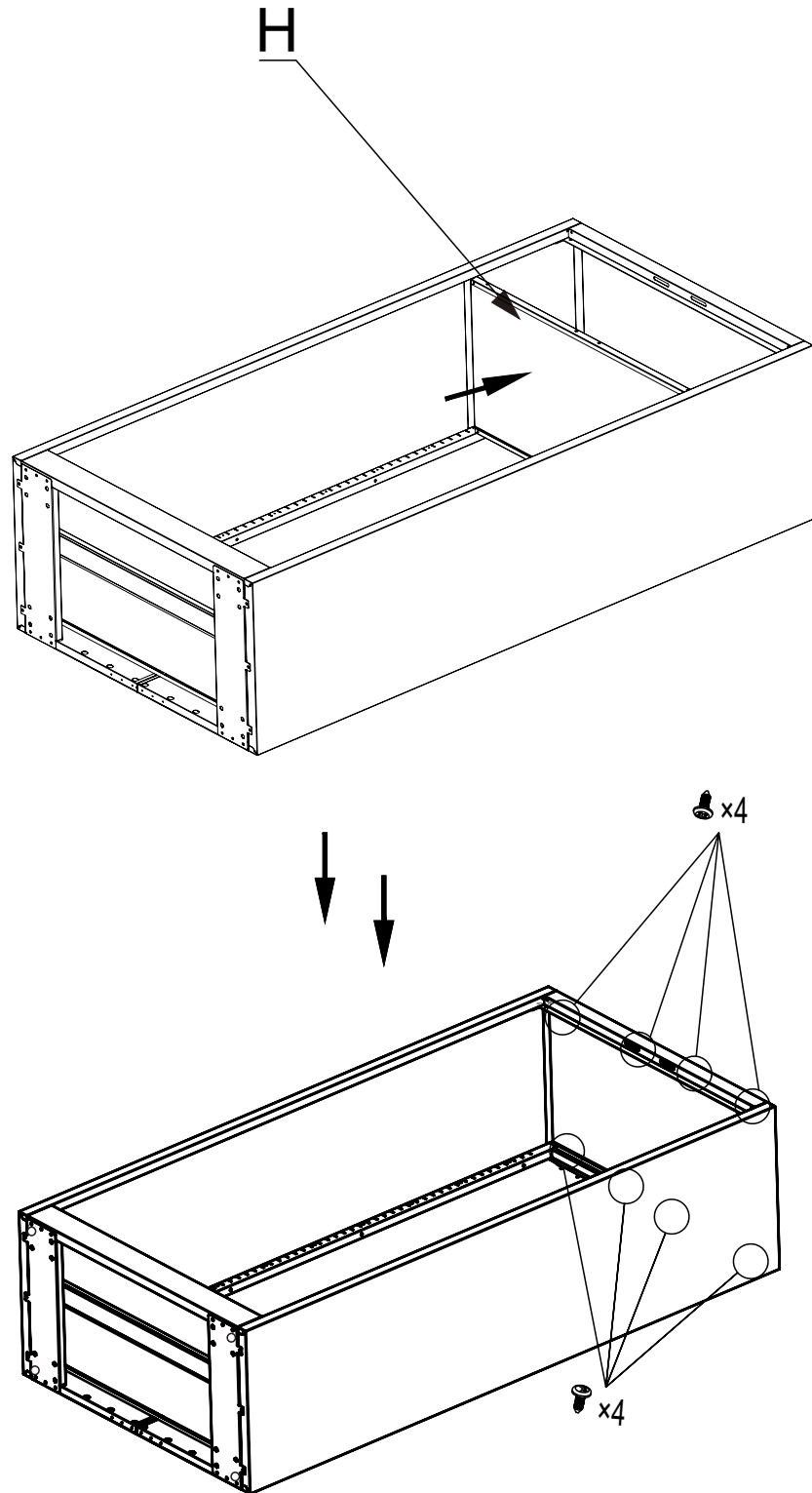
Tips: If the ground is uneven, you can rotate the feet to adjust, which will solve the problem of the door not being easy to open or close.

a



4PCS

Step 9: Install the top panel H and fix it with screws T



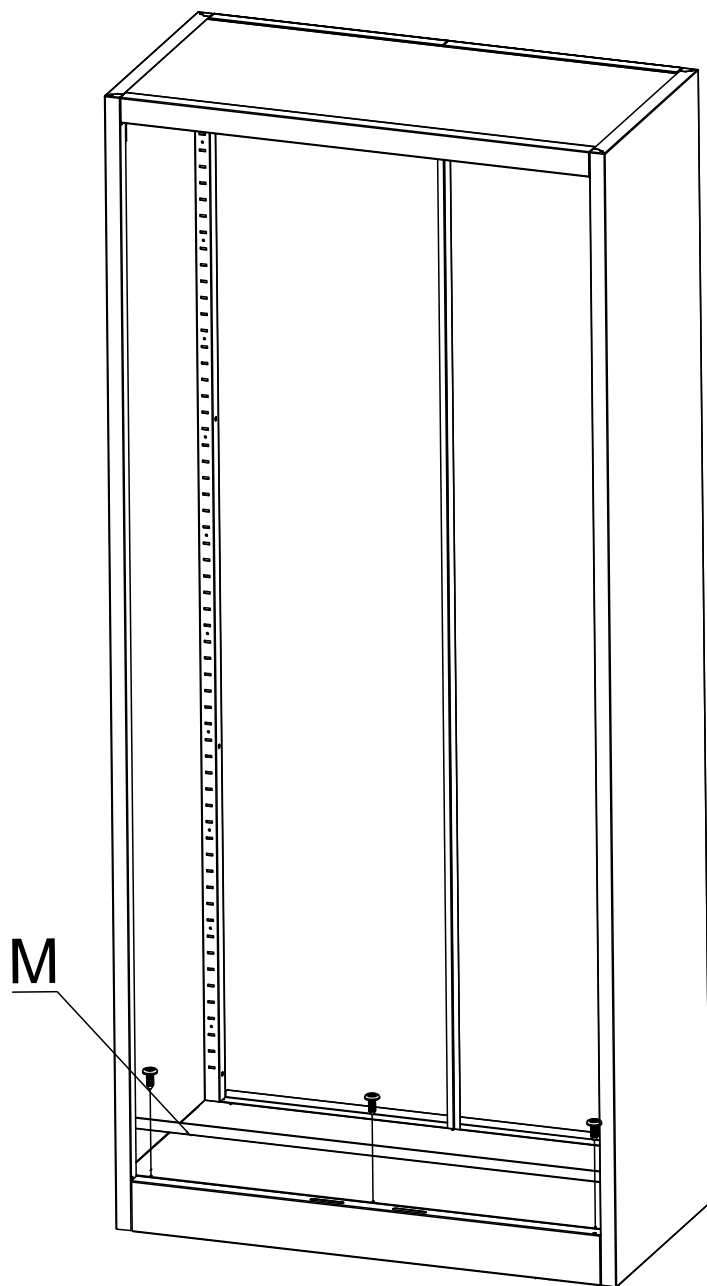
It's easier to fix screws when back panels or side panels are put on the floor



T



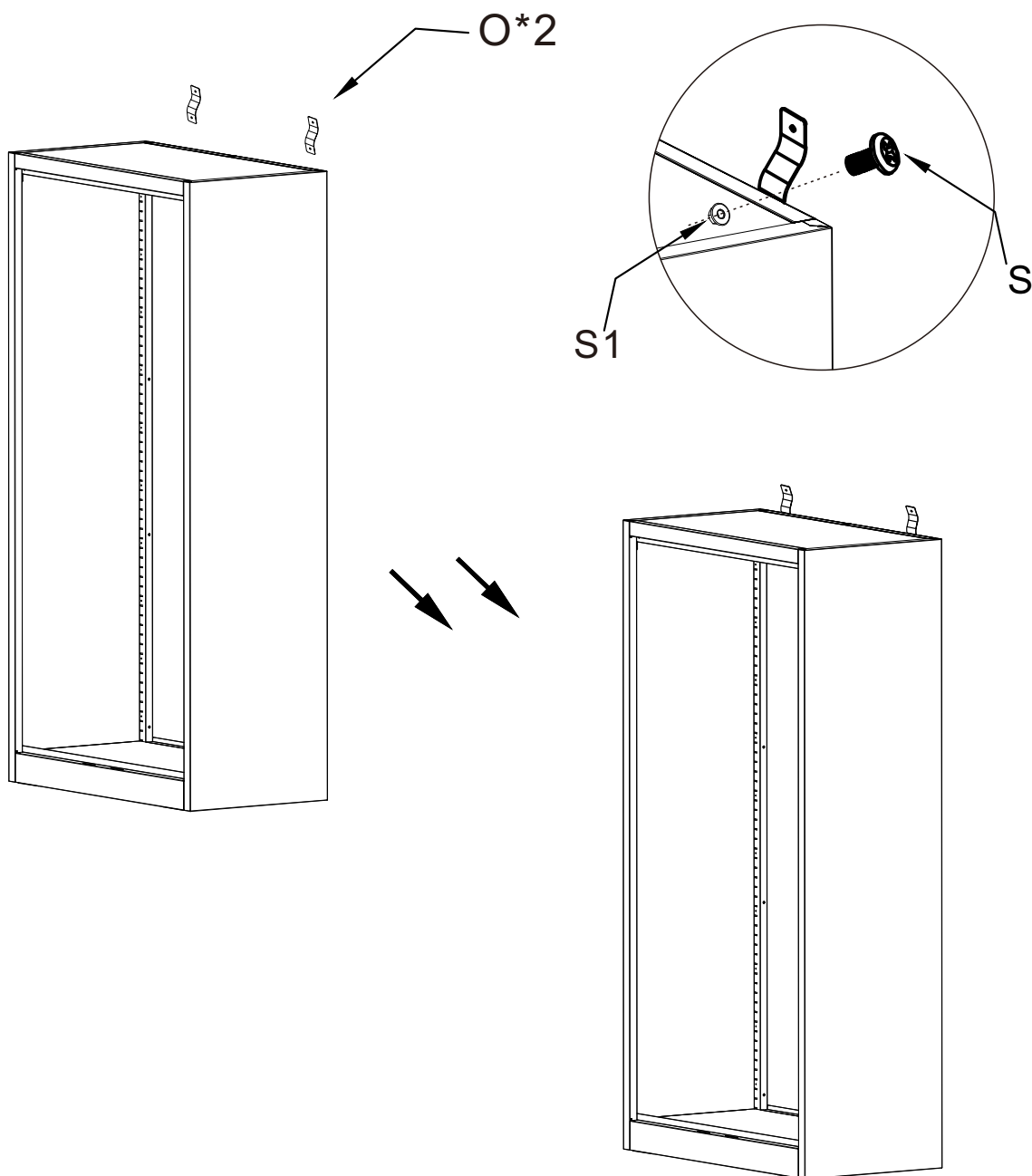
8PCS

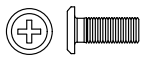


Step 10: Fix the bottom face M on the bottom panel with screws T



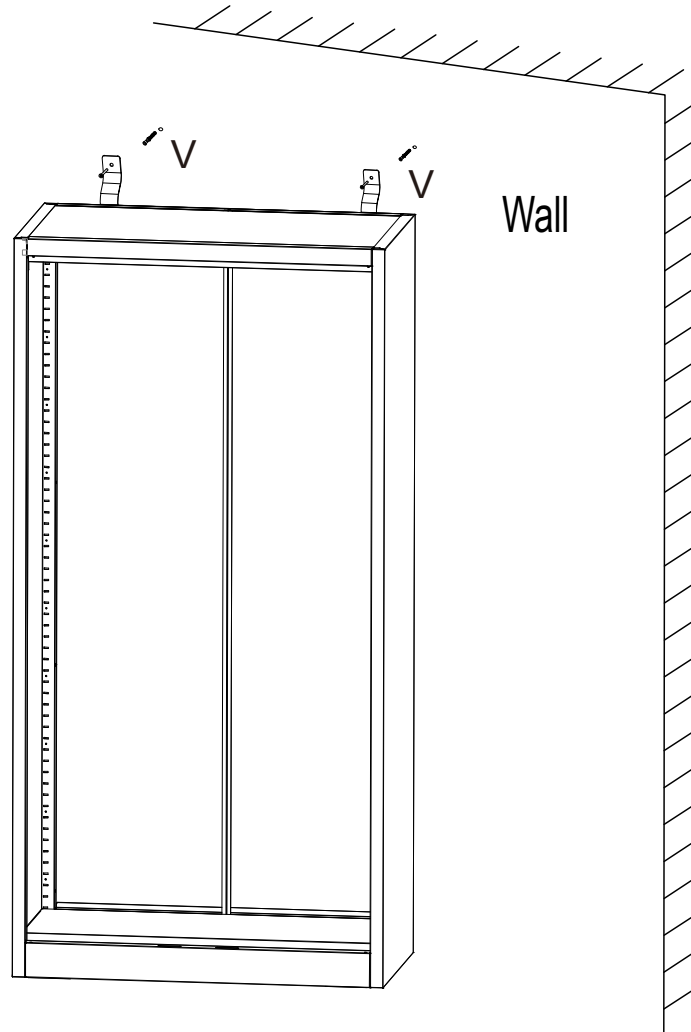
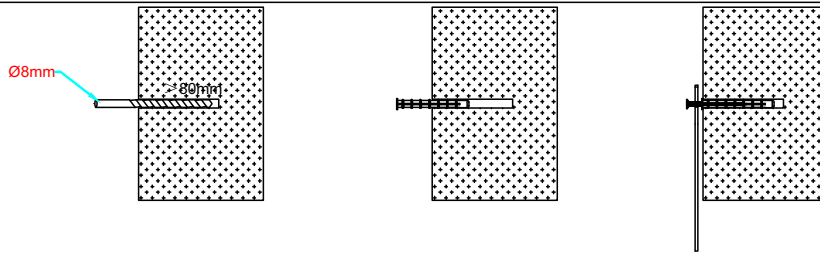
T			3PCS
---	---	---	------

Step 11: Install 2 anti-tipping straps O with screws S and nuts S1



S		2PCS	S1		2PCS	O		2PCS
---	---	------	----	---	------	---	---	------

Step 12: Fix the cabinet on the wall with expansion screws V to prevent tipping



 **DANGER**



Always secure this furniture with an anchor device.

Unsecured furniture can cause serious injury or death to children.

Never allow children to stand, climb or hang on drawers, doors or shelves.

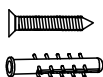
Never open more than one drawer or door at a time.

Place the heavy items on the lower position.

Never place a television on this furniture.

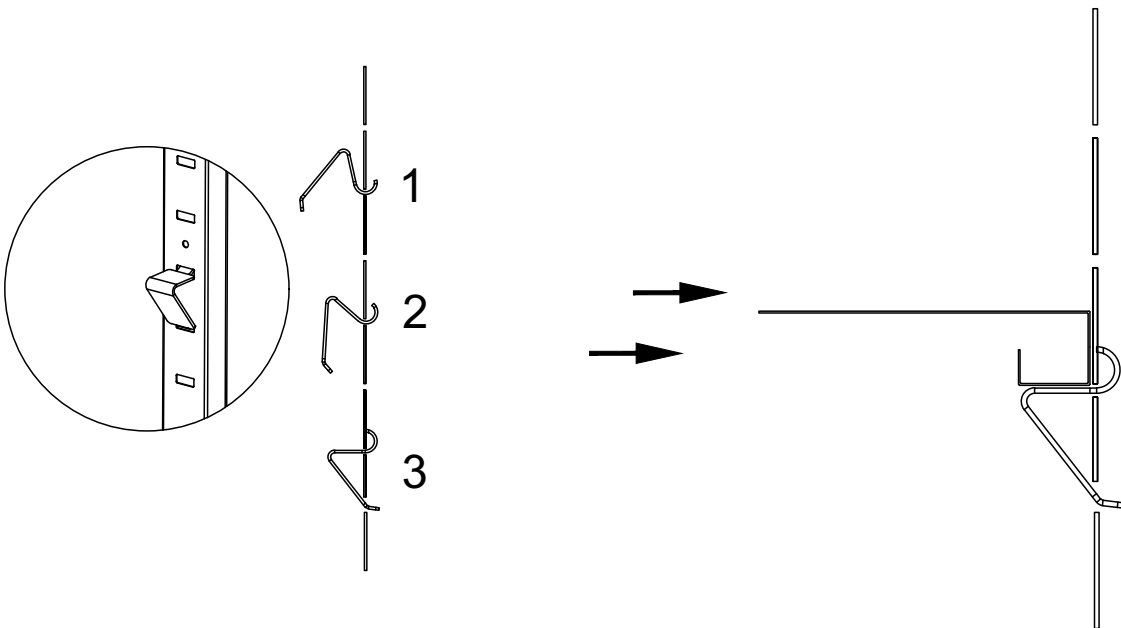
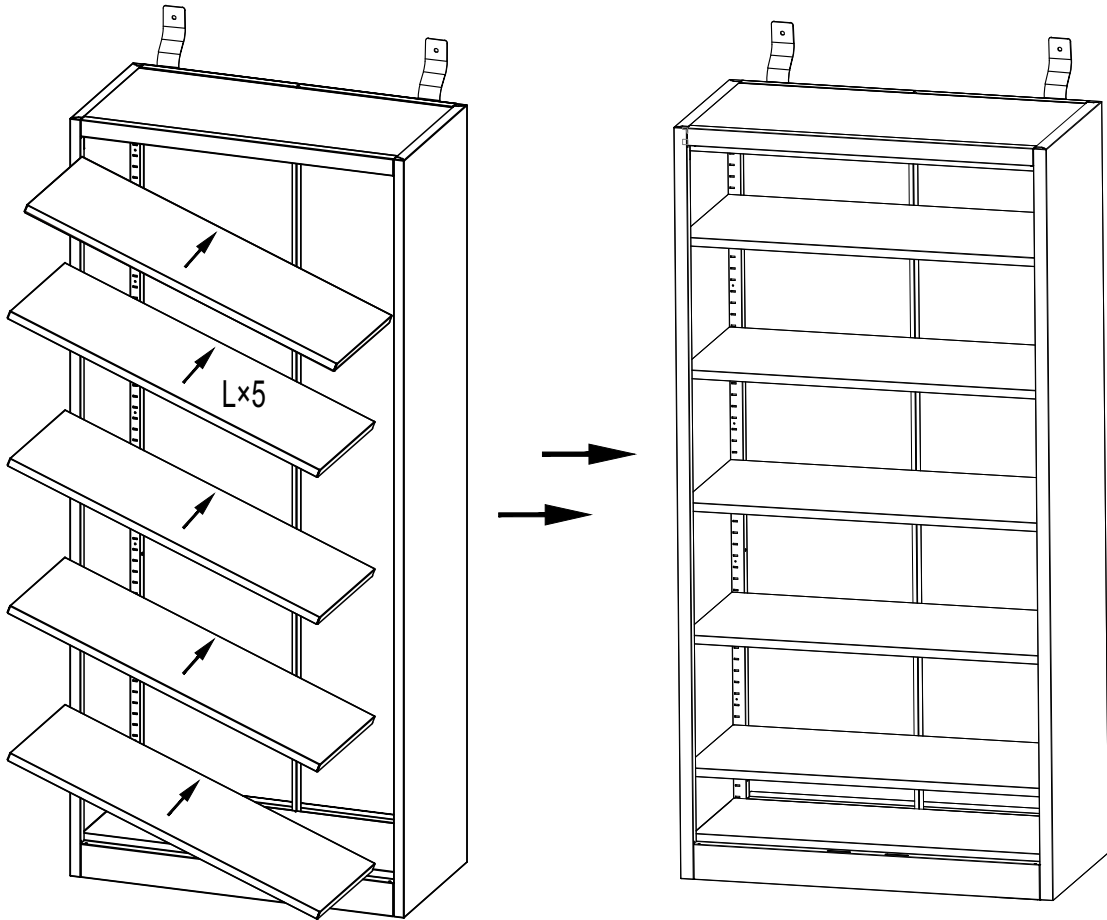
This is a permanent label. Do not remove!


V



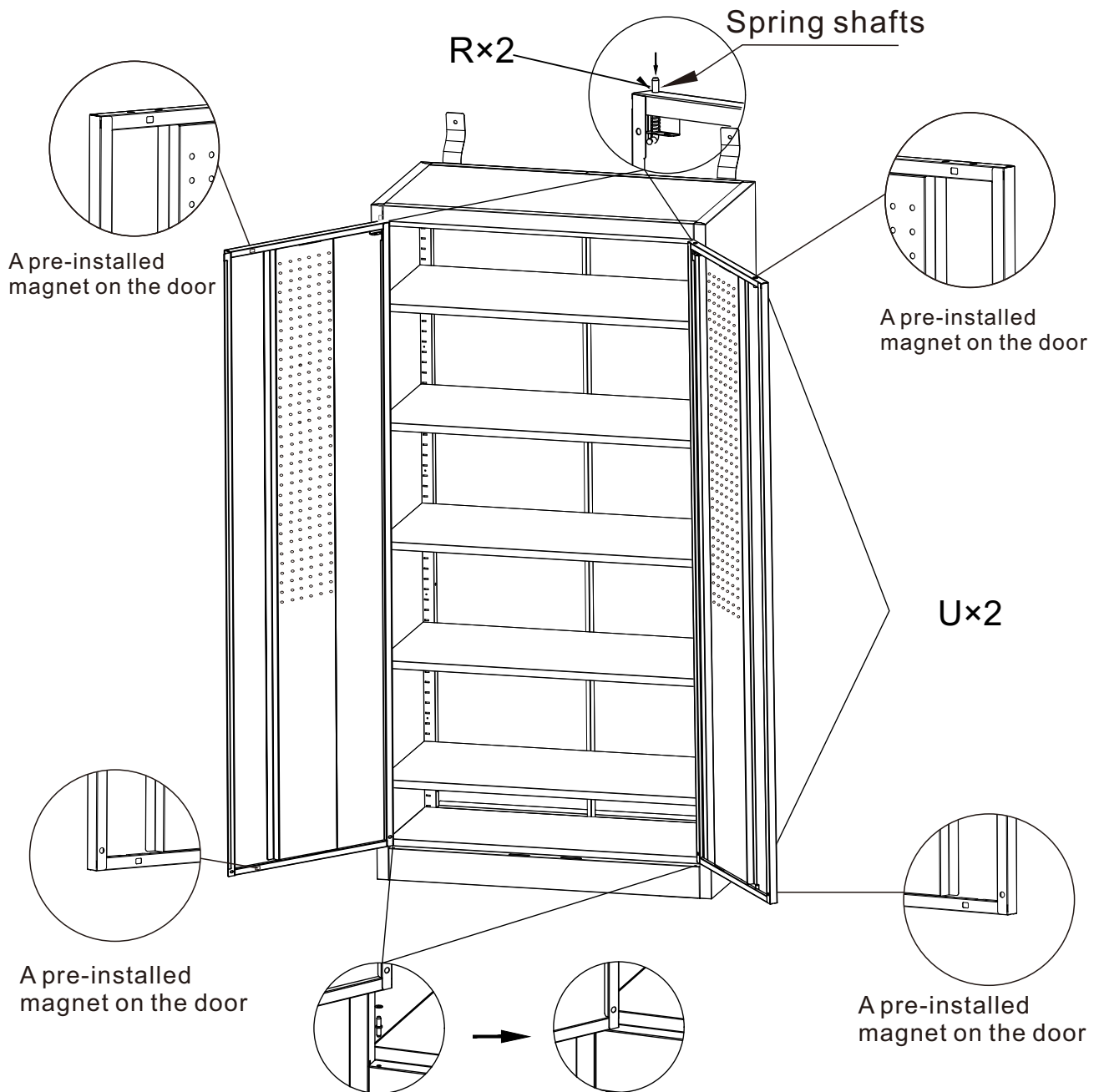
2PCS

Step 13: Install 20 shelf clasps Q and put 5 shelves L on them



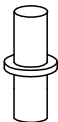

Q		20PCS
---	---	-------

Step 14: Insert the door pivots W into the holes of the both sides at the bottom corners (0/1/2 shims X can be used to adjust), then insert the doors into the door pivots on the bottom and adjust the spring shafts R on the top

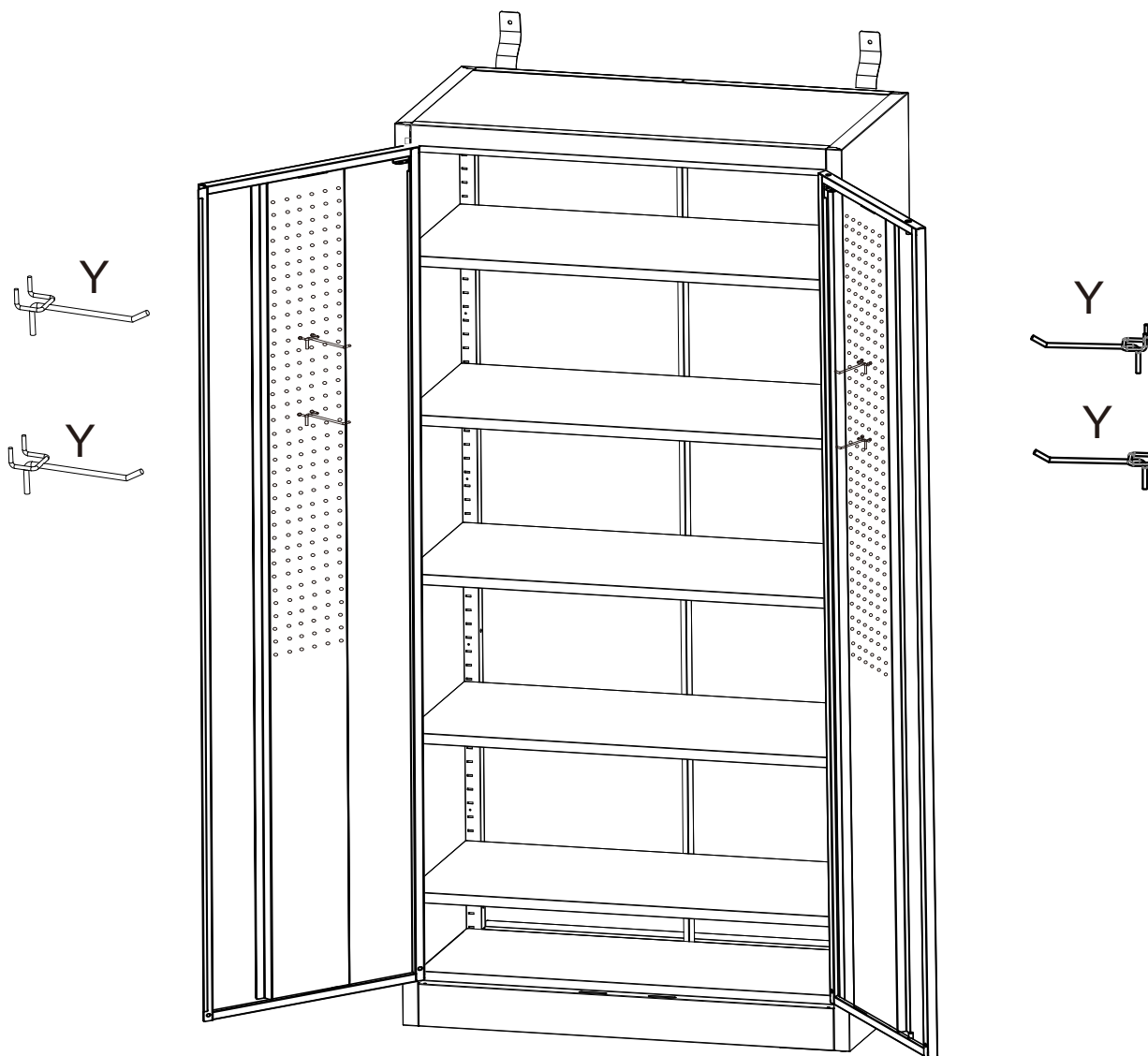


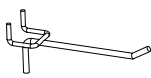
There are two holes here, and W should be inserted into the smaller hole.

Please remove the keys from the door and store them properly before installing the door

W		2PCS	X		2PCS
---	---	------	---	---	------

Step 15: Install 4 hooks Y on the doors



Y		4PCS
---	---	------