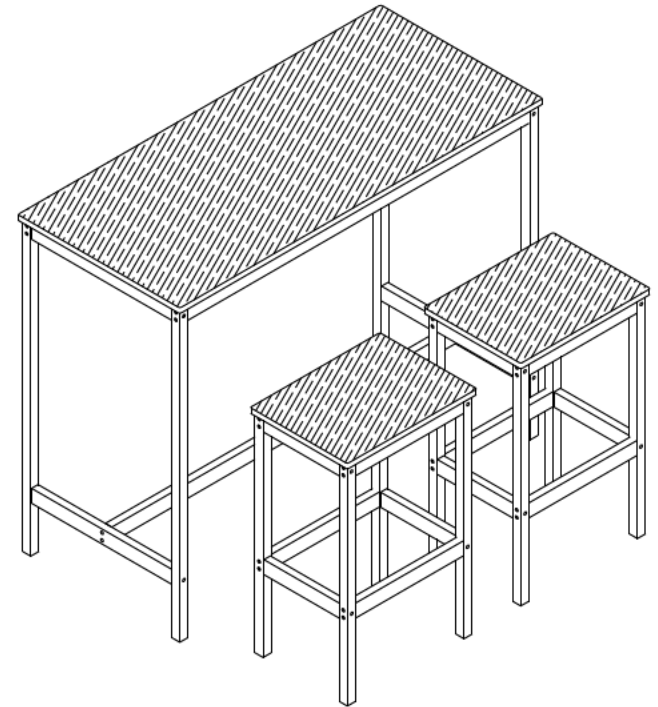


# Assembly Instructions

⚠ Before you throw the carton, please ensure that you have all the parts needed for the assembly.

⚠ **Hardware Note:**  
1. For each step please don't fully tighten all the screws at first, when they all align to the holes you can fully tighten them.  
2. All the bolts should be assembled **vertically** to the holes.

⚠ **Spare parts can be found in the hardware box** if you do not have enough bolts for assembly.

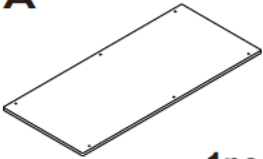



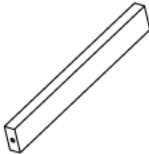
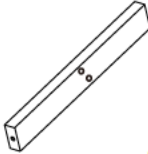
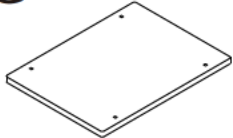



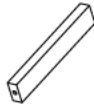


# Assembly Instructions



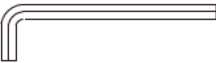
## Parts and Hardware

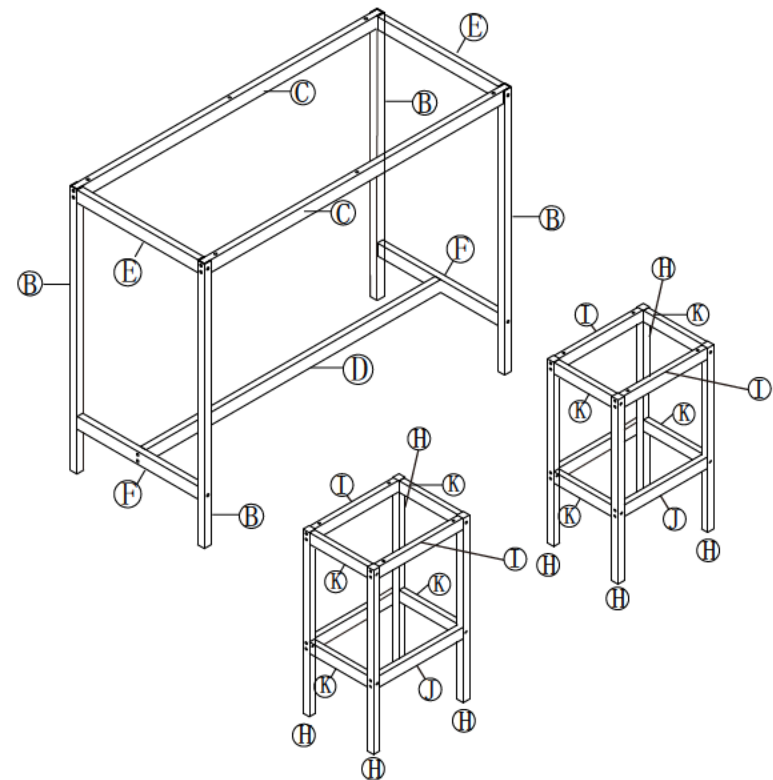
Please check to make sure you have all parts and hardware before starting assembly process.

### Parts

<b>A</b>  1pc	<b>B</b>  4pcs	<b>C</b>  2pcs	<b>D</b>  1pc
<b>E</b>  2pcs	<b>F</b>  2pcs	<b>G</b>  2pcs	<b>H</b>  8pcs
<b>I</b>  4pcs	<b>J</b>  4pcs	<b>K</b>  8pcs	

### Hardware

<b>1</b>  M6X50mm 14pcs	<b>2</b>  M6X40mm 68pcs	<b>3</b>  1pc	
--	---	--	--



# Assembly Instructions

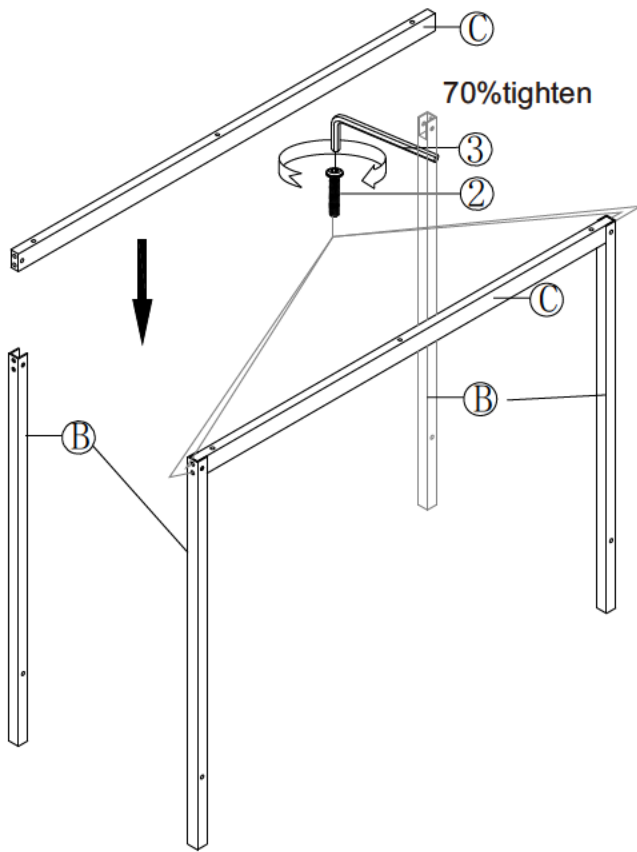
## Assembly Instructions

Please read and understand all assembly instructions before beginning assembly process.  
Do not tighten any single bolt until all bolts in holes on each step

Step 1:



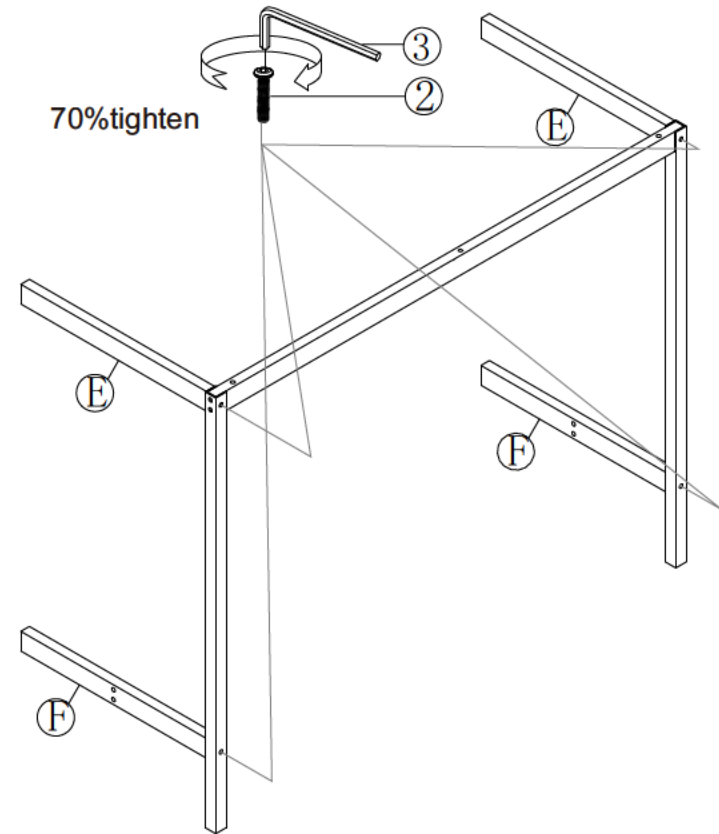
Do not fully tighten the bolts  
please be sure you align the  
holes first!



Step 2:



Do not fully tighten the bolts  
please be sure you align the  
holes first!



# Assembly Instructions

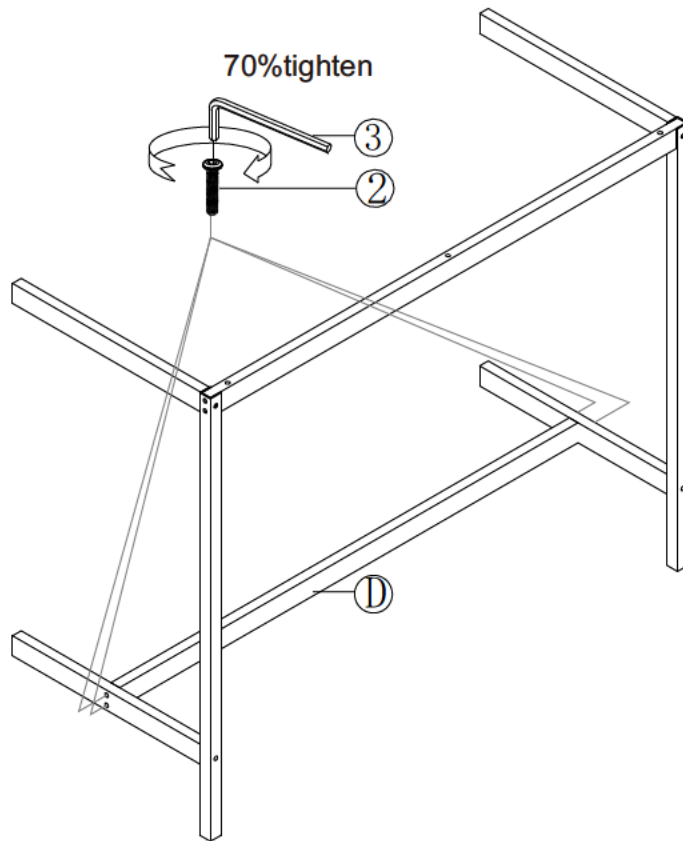
## Assembly Instructions

Please read and understand all assembly instructions before beginning assembly process.  
Do not tighten any single bolt until all bolts in holes on each step

Step 3:



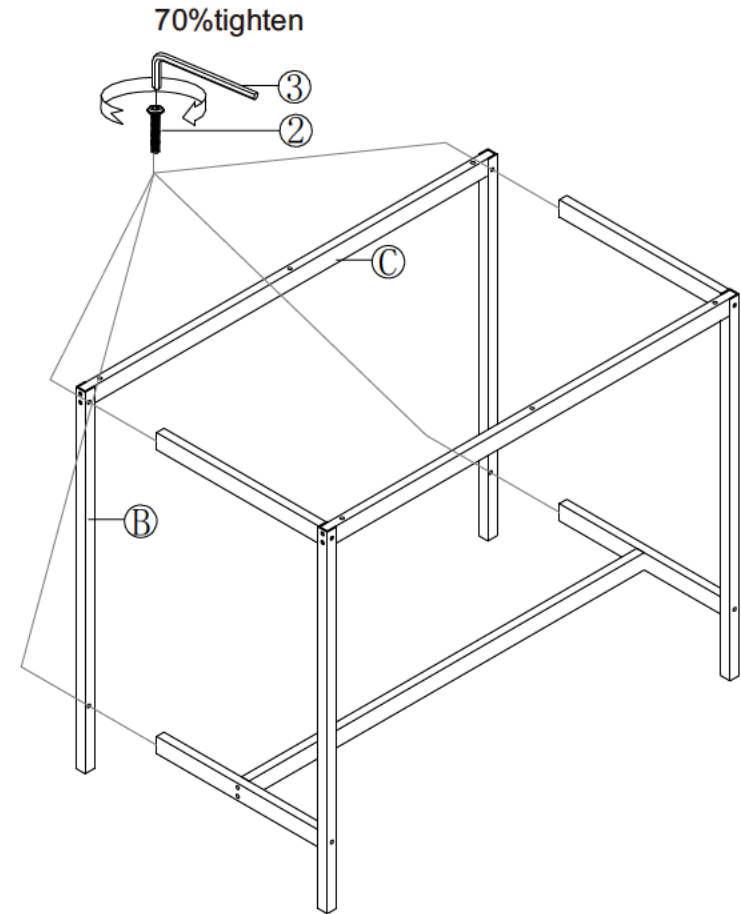
Do not fully tighten the bolts  
please be sure you align the  
holes first!



Step 4:



Do not fully tighten the bolts  
please be sure you align the  
holes first!



# Assembly Instructions

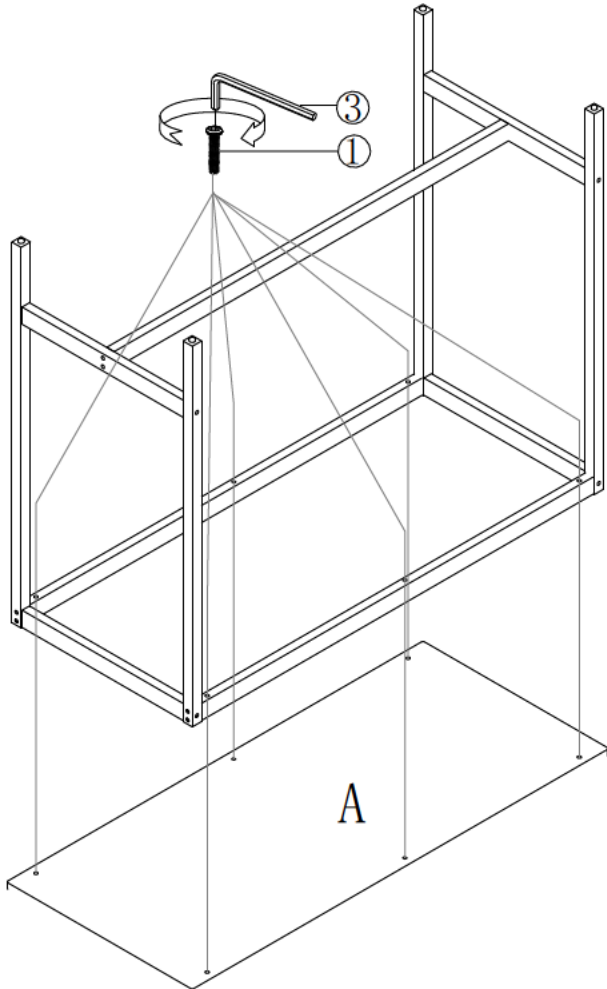
## Assembly Instructions

Please read and understand all assembly instructions before beginning assembly process.  
Do not tighten any single bolt until all bolts in holes on each step

Step 5:



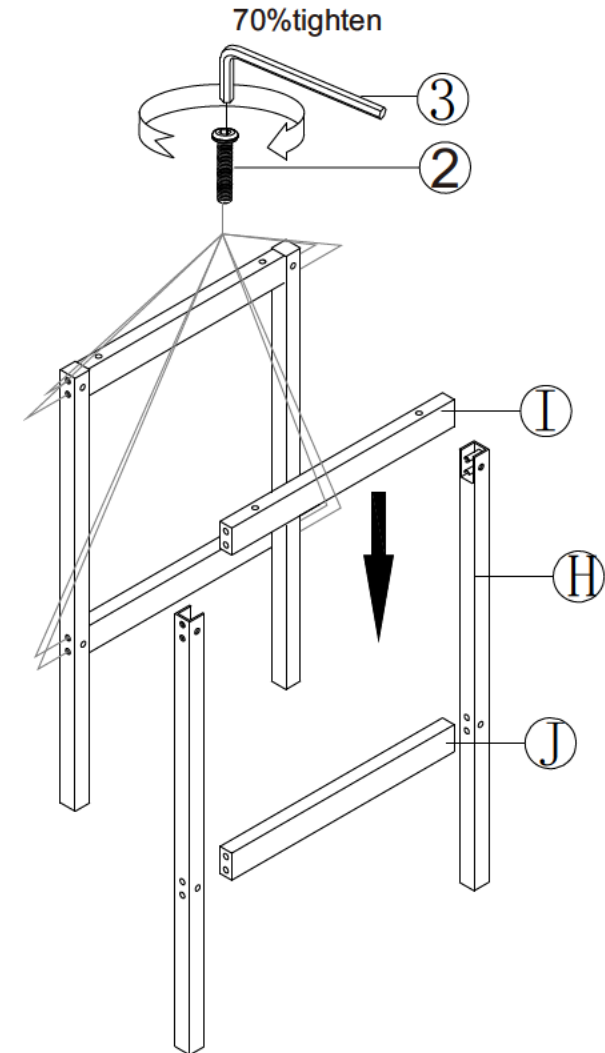
Please be sure you align the holes first!  
Then fully tighten all the bolts(include  
step 1 to step 4).



Step 6:



Do not fully tighten the bolts  
please be sure you align the  
holes first!



# Assembly Instructions

## Assembly Instructions

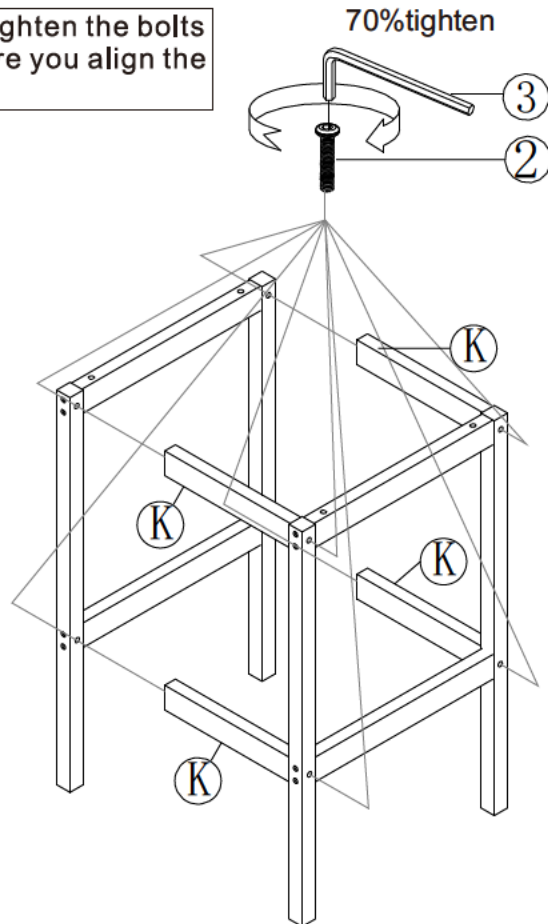
Please read and understand all assembly instructions before beginning assembly process.  
Do not tighten any single bolt until all bolts in holes on each step

Step 7:

Step 8:



Do not fully tighten the bolts please be sure you align the holes first!



Please be sure you align the holes first!  
Then fully tighten all the bolts(include step 5 to step 6).

