

# 45° Sloped Ceiling Adaptor Installation Instruction

## READ AND SAVE THESE INSTRUCTIONS

- A. To reduce the risk of electric shock, insure electricity has been turned off at the circuit breaker or fuse box before beginning.
  - B. **WARNING:** To reduce the risk of personal injury, use only the two steel screws (and lock washers) provided with the outlet box for mounting to the outlet box. Most outlet boxes commonly used for the support of lighting fixtures are not acceptable for fan support and may need to be replaced, consult a qualified electrician if in doubt.
  - C. The outlet box and support structure must be securely mounted and capable of reliably supporting a minimum of 50 pounds. Use only UL Listed outlet boxes marked FOR FAN SUPPORT.
  - D. This unit accommodates slopes of up to 45 degrees.
1. Install mounting plate to outlet box in ceiling using the screws and washers provided with your outlet box. Remove the two canopy mounting screws 180 degrees apart on outside edge of mounting plate. Loosen the 2 remaining screws. This will make installation of the canopy easier in step 5 & 6. (Fig. 1)
  2. Remove the downrod ball that was supplied with your ceiling fan by loosening the set screw. Slide the downrod ball off the downrod. Be sure to keep the crosspin supplied with your fans downrod to use with the slope ceiling adaptor ball. (Fig. 2)
  3. Install the slope ceiling adaptor ball to the existing downrod or new longer downrod with the crosspin from your existing downrod. Push ball up until it engages the crosspin and tighten set screws. (Fig. 3)
  4. Feed motor lead wires through downrod/canopy assembly and insert downrod into motor yoke. Make sure that the tab in the canopy engages the notch in the downrod ball. Install downrod to fan using instructions provided with your fan as this may vary from model to model. (Fig. 4)
  5. Carefully hang fan onto hook in mounting plate using one of the two holes in the canopy. This will allow hands-free wiring. Refer to your ceiling fan owners manual for wiring instructions. (Fig. 5)
  6. Carefully lift fan from mounting plate hook, making sure not to break any wire connections. The canopy has 2 mating slots and 2 mating holes. Position both slots in canopy directly under and in line with 2 mounting plate screws and lock washers. Lift fan until mounting plate screws are seated in bottom of slots in canopy. (Fig. 6)
  7. Rotate canopy clockwise until both mounting screws drop into slot recesses. Tighten screws securely. Install third and fourth screws with lock washers into mating holes and tighten. (Fig. 6)

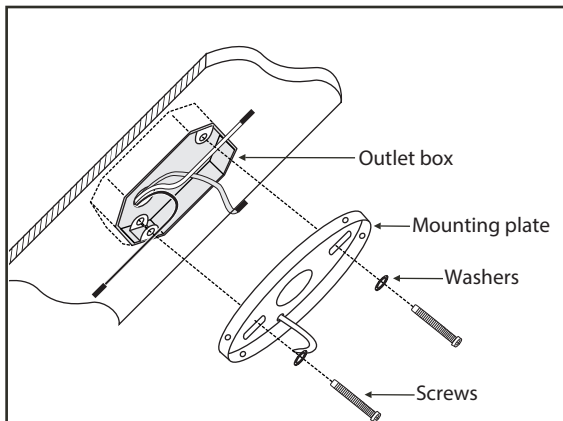


Fig. 1

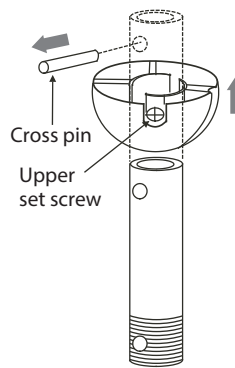


Fig. 2

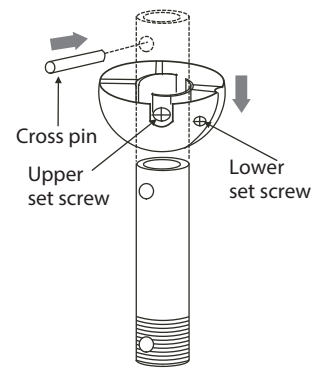


Fig. 3

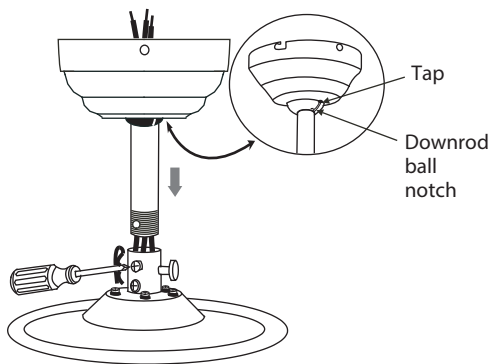


Fig. 4

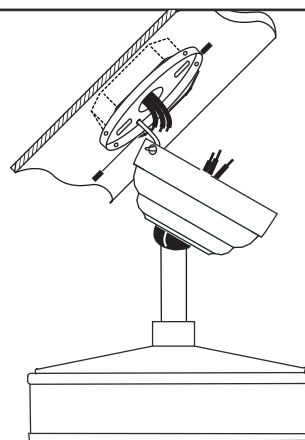


Fig. 5

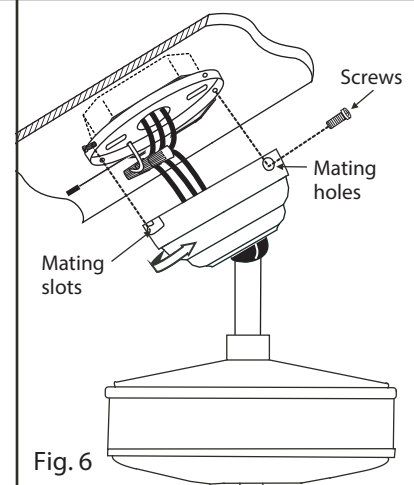


Fig. 6