

Potting Bench

45" L x 19" W x 36" H

Installation Guide



BEFORE YOU START

Please read the instructions carefully to familiarize yourself with every detail and step involved. Keep this manual for future reference. Find a suitable space to assemble the Everbloom Potting Bench.

You need at least 46" x 20" (117 x 50cm) for the finished product. A flat and firm area (like a garage floor or flat yard space) is perfect! The only tool you may need is a rubber mallet.



IMPORTANT NOTES

Small parts are included; we advise you to keep them away from children and pets.

We also suggest having another person help you assemble.

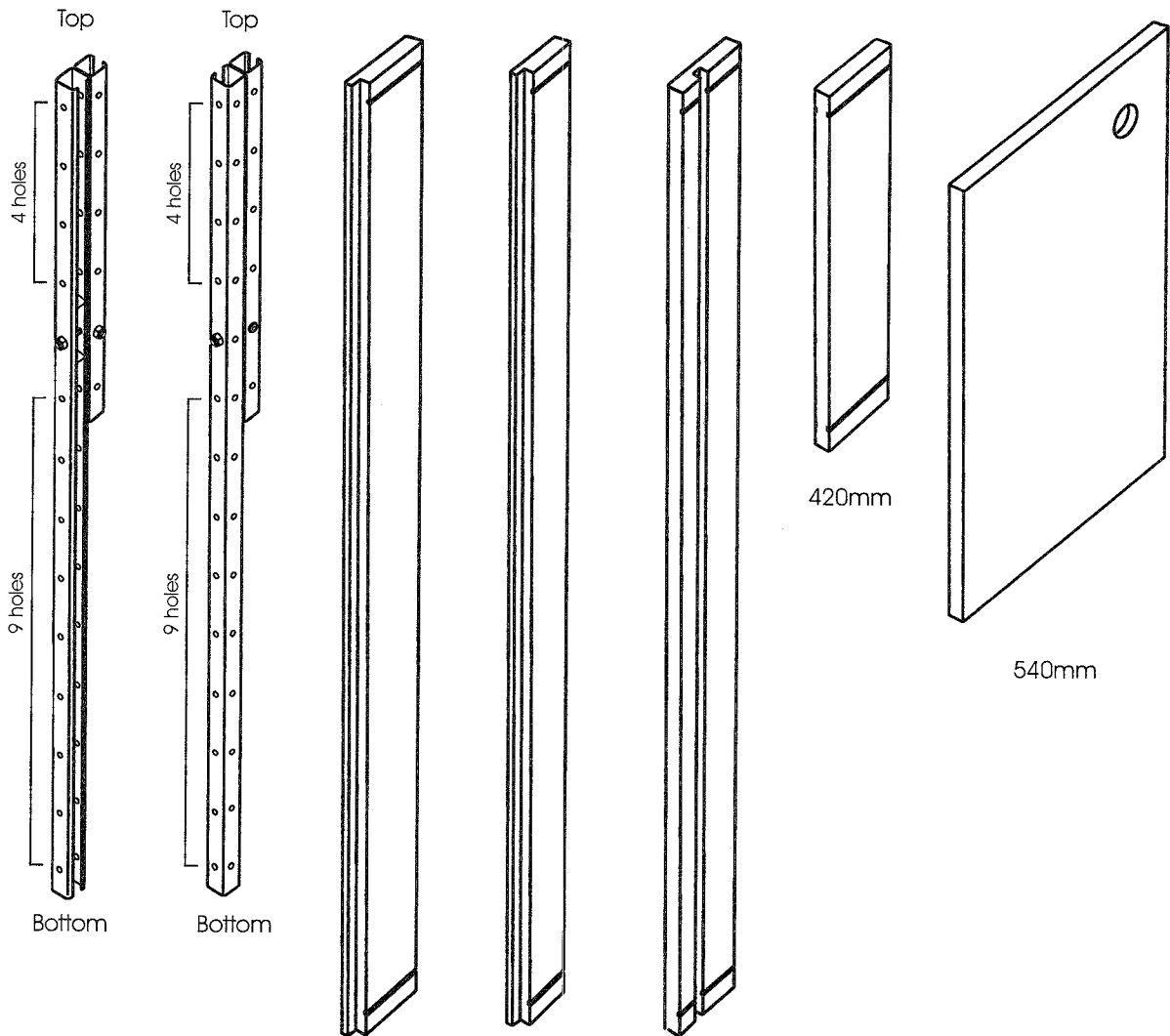
Load capacity: approximately 4 cu. ft. of soil



PARTS LIST

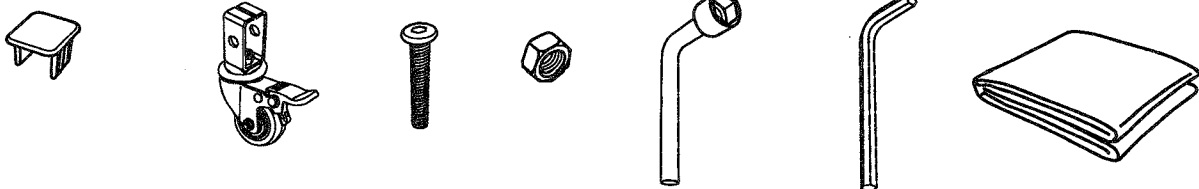
Potting Bench

Left Corner Post X 2	Right Corner Post X 2	Long Board A X 2	Long Board B X 2	Long Support Board X 2	Short Board X 4	Bottom Board X 4
----------------------------	-----------------------------	------------------------	------------------------	------------------------------	-----------------------	------------------------



1140 x120mm 1140 x 90mm 1140 x120mm

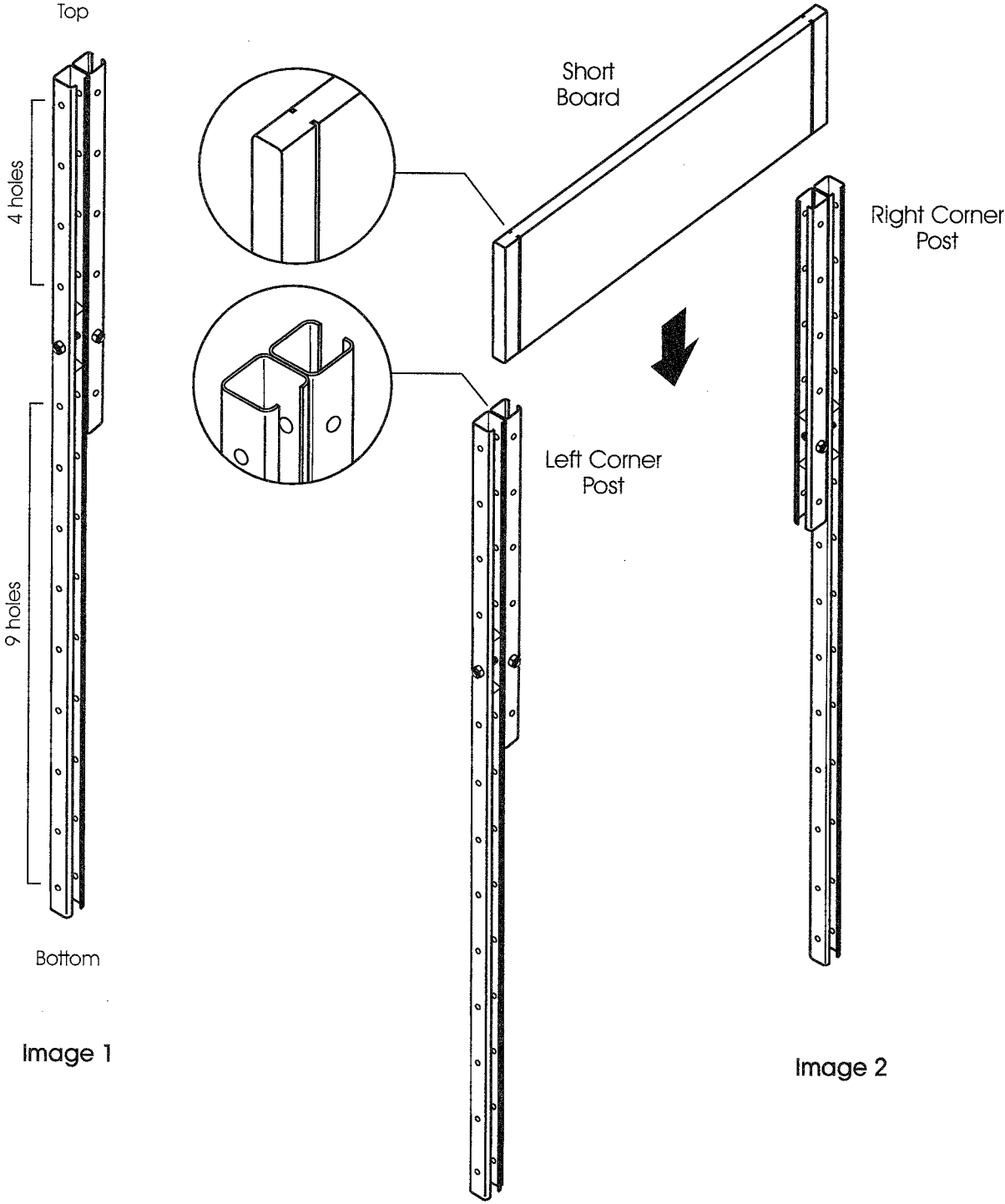
Post Cap X 8	Caster Wheel X 4	Bolt X 4	Nut X 4	Nut Driver X 1	Hex Key X 1	Garden Bed Liner X 1
-----------------	---------------------	-------------	------------	-------------------	----------------	----------------------------



ASSEMBLY

Potting Bench

Start by making sure each corner post is oriented correctly. Refer to image 1 and ensure that the 9 holes are on the bottom half of the standing corner posts. Slide one short board into the corner brackets from above. Note: The short boards need to be placed in the inward "U" shape of the brackets. (Image 2).



ASSEMBLY

Potting Bench

Slide the long support boards into the corner posts, as shown in Image 3.

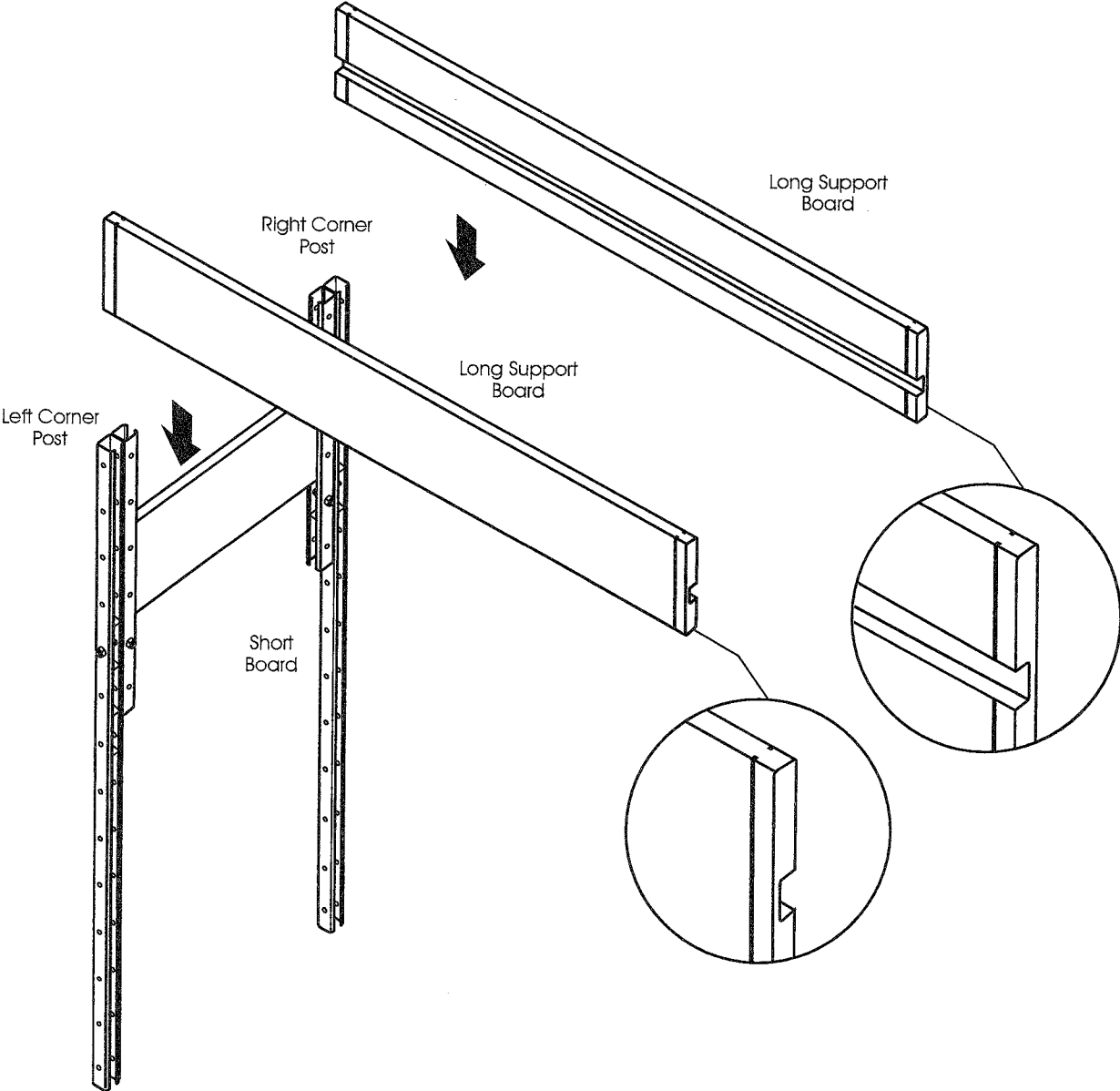


Image 3

ASSEMBLY

Potting Bench

Carefully flip over the garden bed so that it lays flat with the long support boards pointing towards the sky. Slide the bottom boards through the slots of the long support boards. Both 2 boards can be slided in now. (image 4)

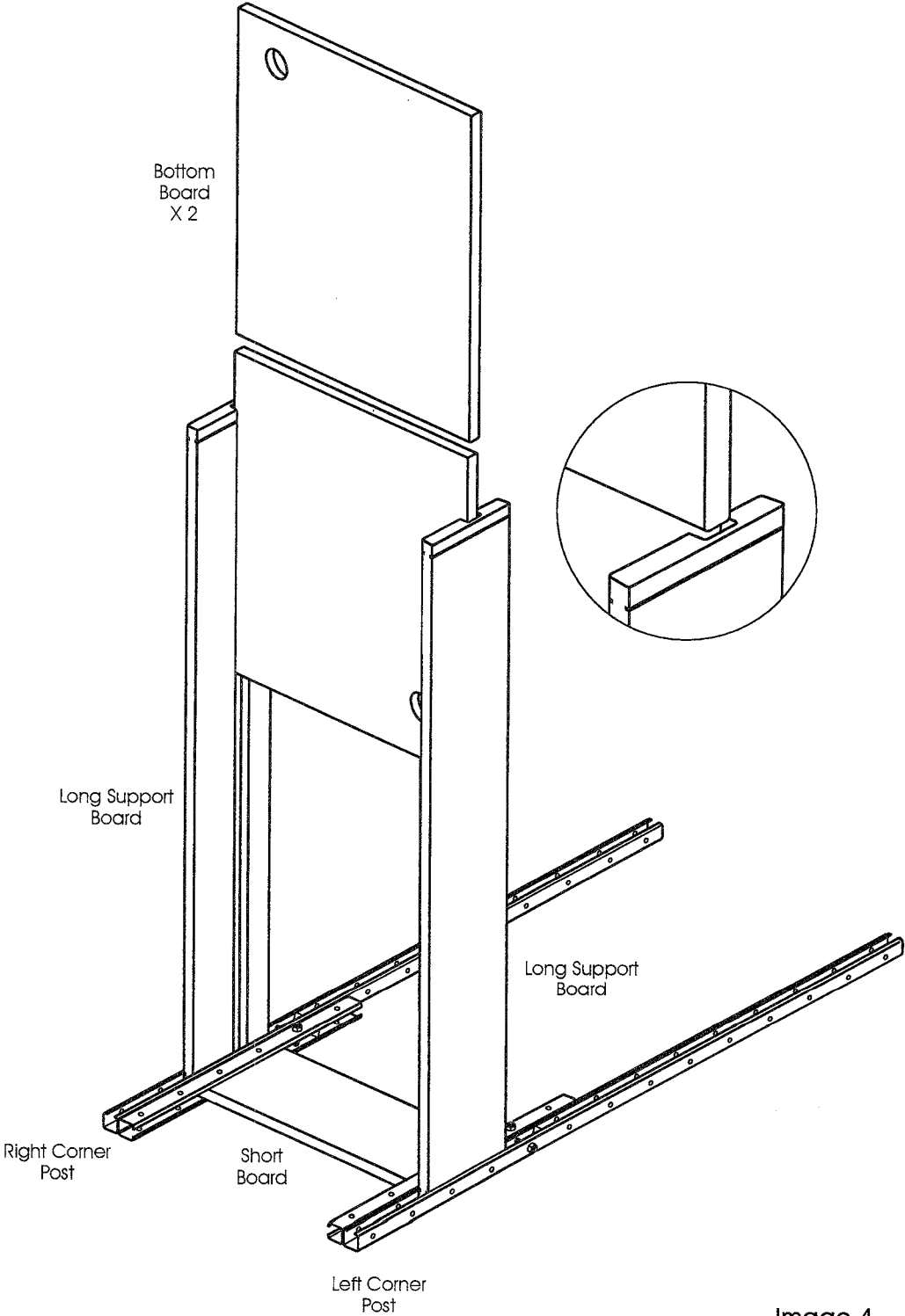


Image 4

ASSEMBLY

Potting Bench

Slide the remaining corner posts into place as shown in Image 5. Ensure that the direction of the each post is symmetric for the remaining short board.

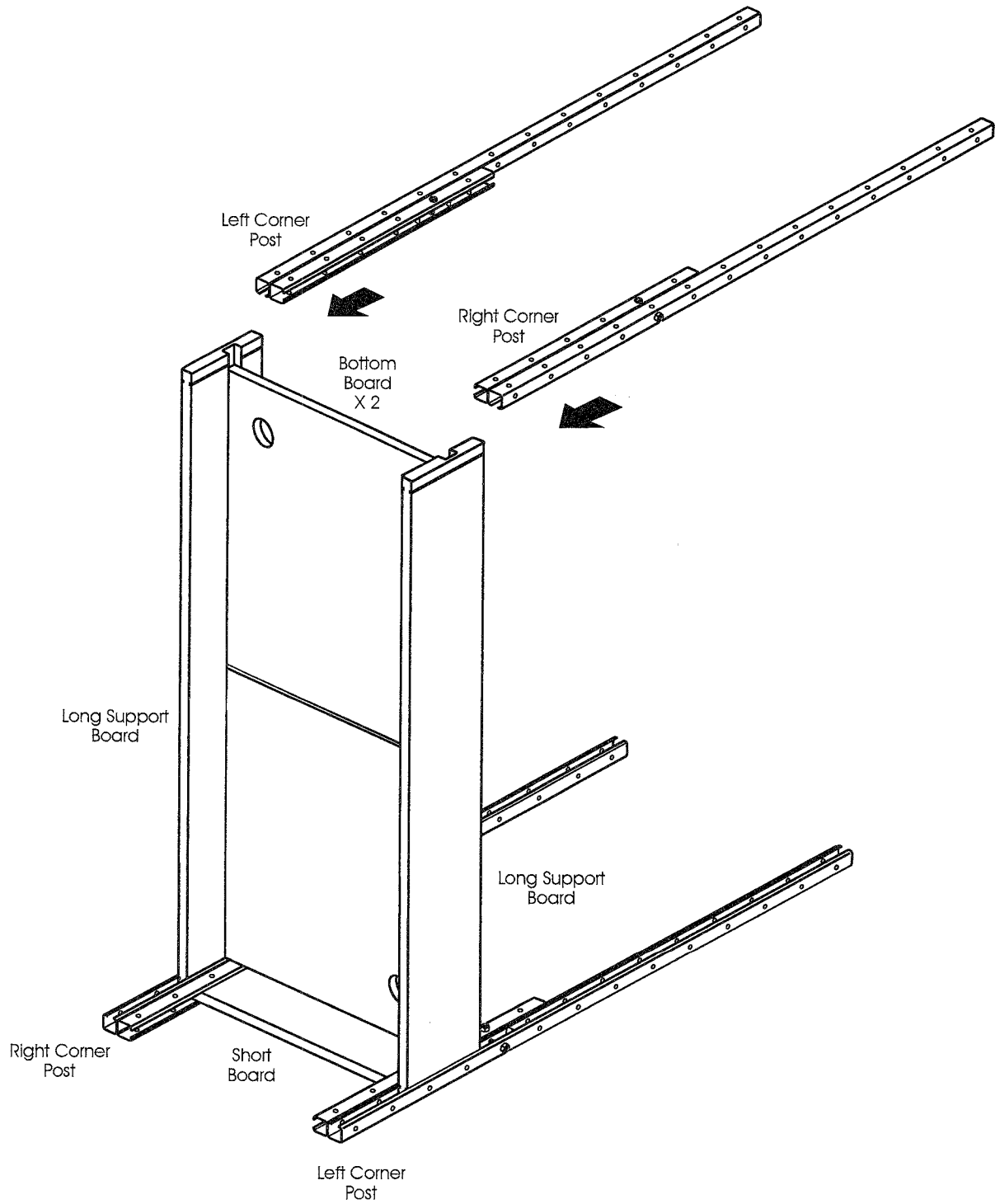


Image 5

ASSEMBLY

Potting Bench

Slide one short board into the corner brackets, as shown in Image 6.

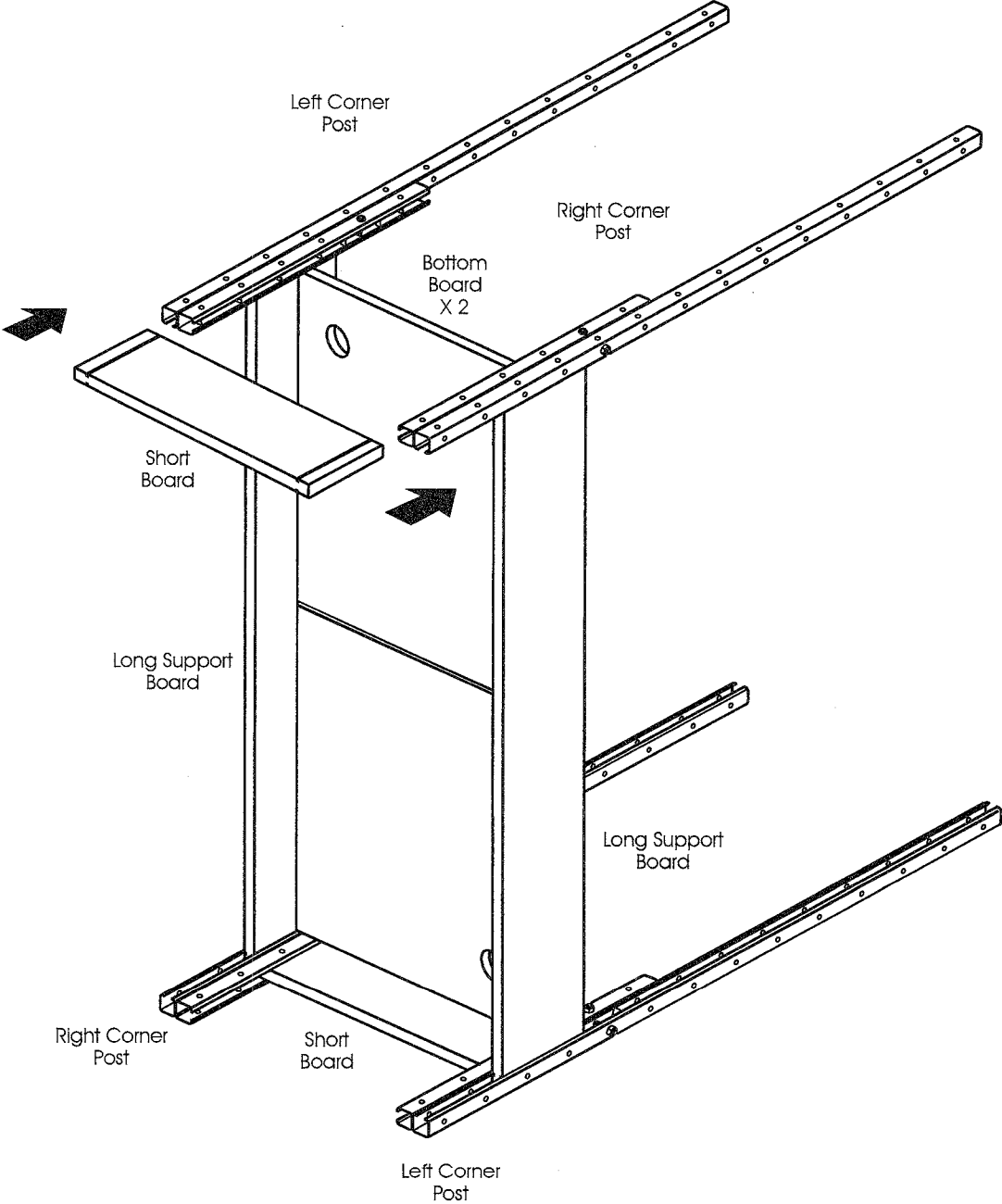
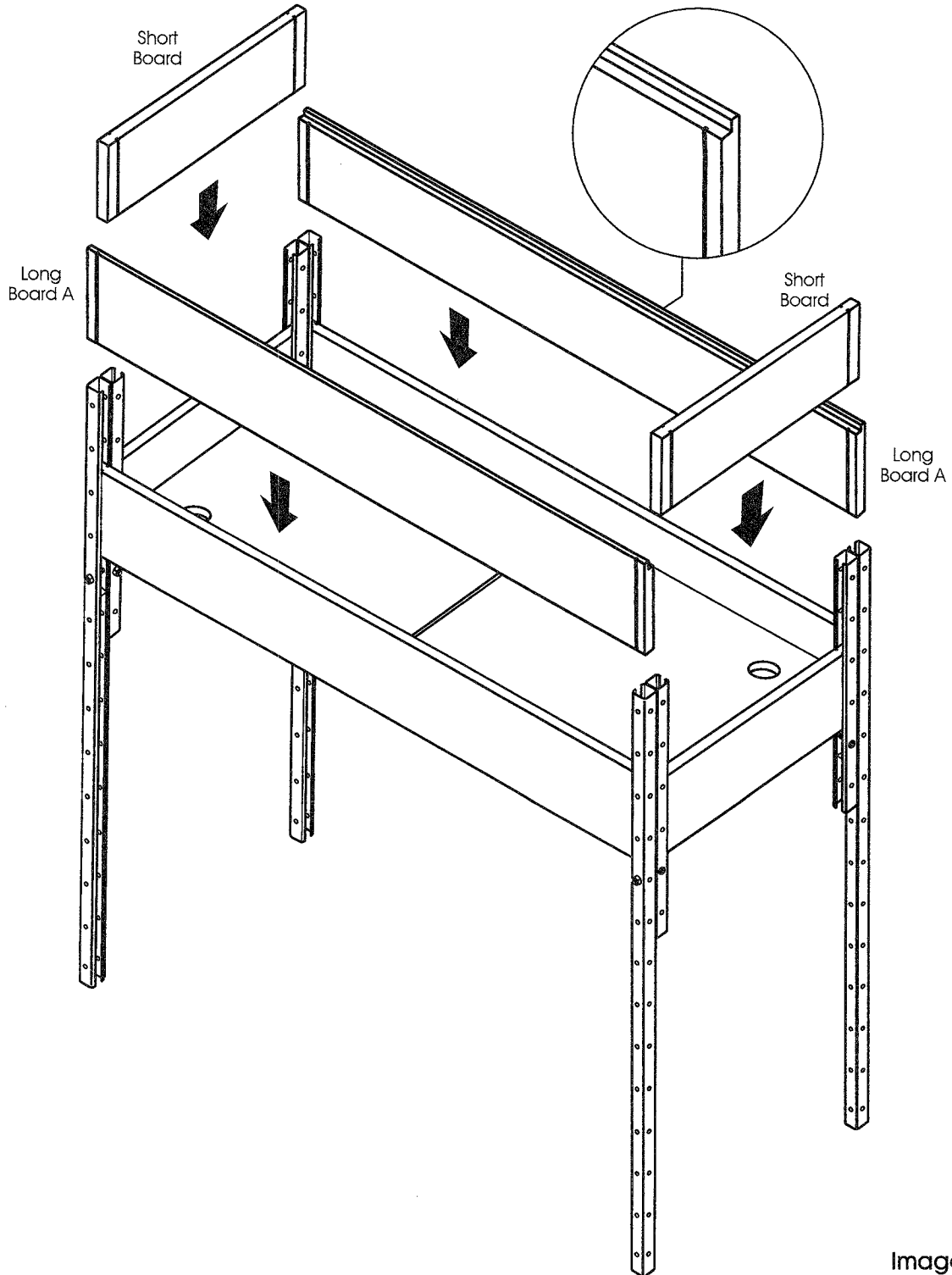


Image 6

ASSEMBLY

Potting Bench

Flip over the bed so it stands upright. Slide the remaining boards into place, as shown in image 7. Please be sure that the ridge must be ON TOP of the long board A when installing.



ASSEMBLY

Potting Bench

Use a rubber mallet (not included) to ensure the boards are tightly in place. Cover the brackets with the 8 end caps, as shown in Image 8.

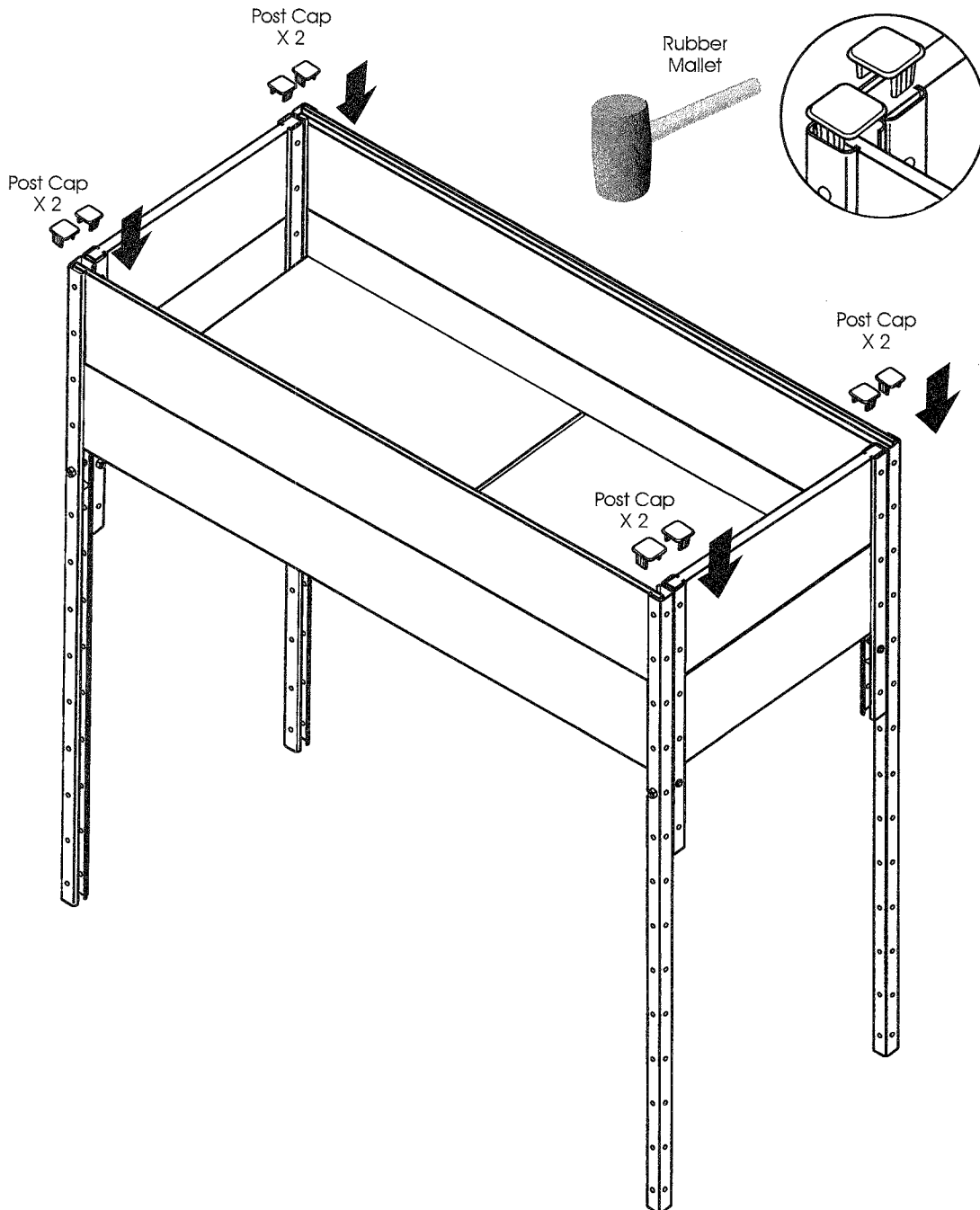


Image 8

ASSEMBLY

Potting Bench

Carefully flip over the garden bed again so that it lays flat with the short boards pointing towards the sky. Insert long boards B into corner brackets, as shown in Image 9 and Image 10. Please be sure that long boards B MUST have groove towards interior of product.

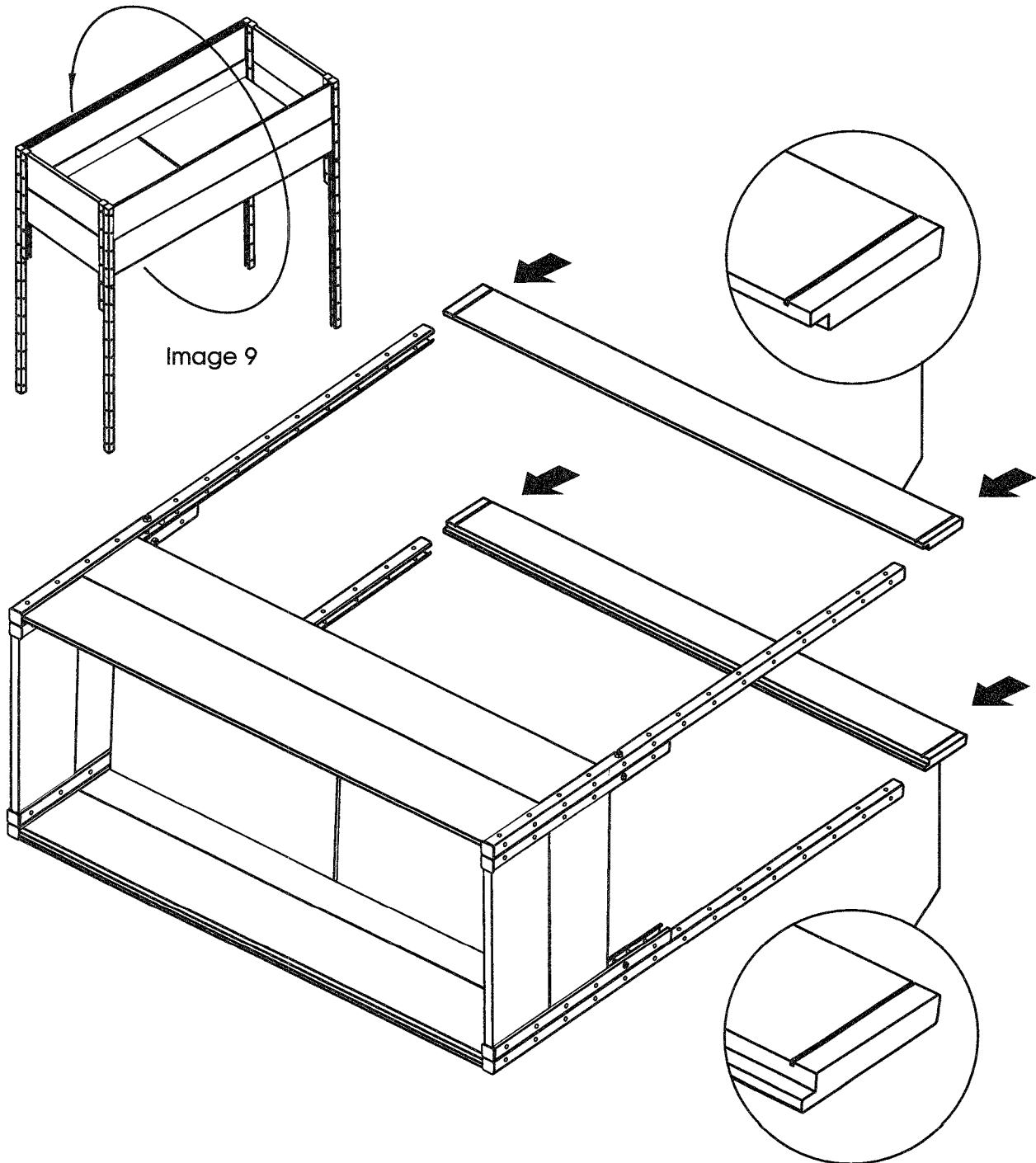


Image 9

Image 10

ASSEMBLY

Potting Bench

Insert caster wheels into corner brackets, as shown in Image 11.

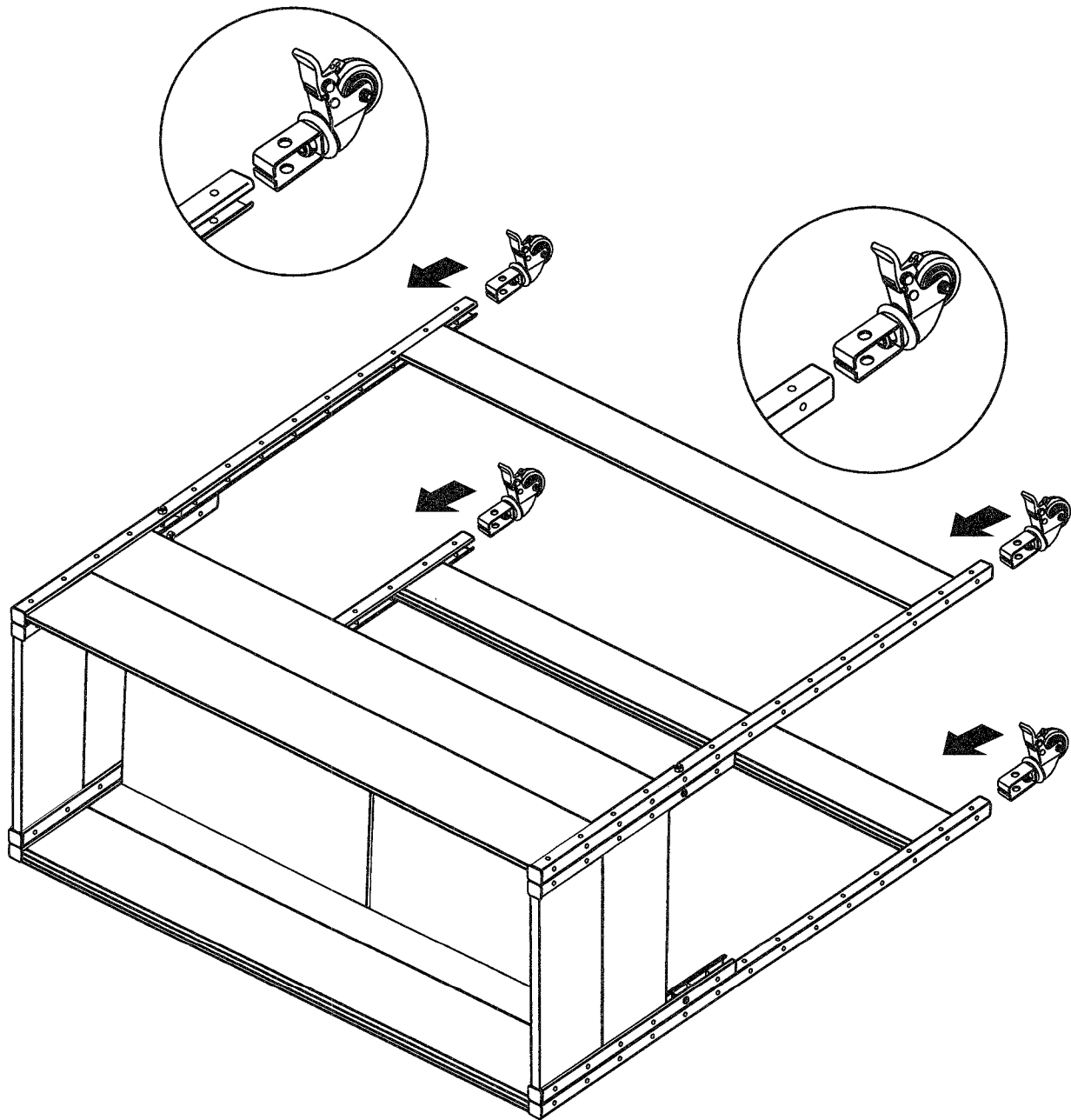


Image 11

ASSEMBLY

Potting Bench

Fix the wheels with bolts and nuts, as shown in Image 12.

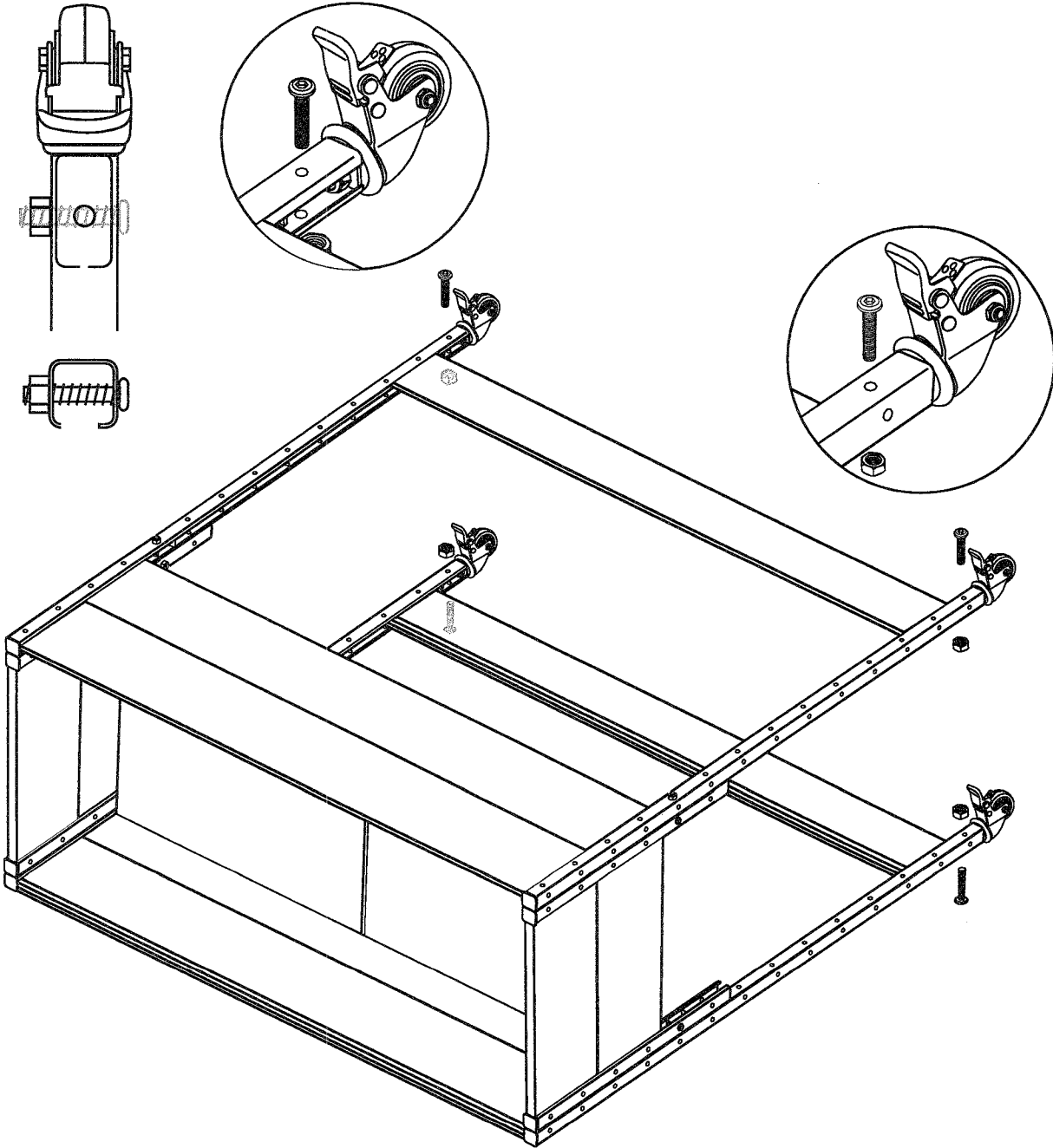


Image 12

Potting Bench

Fasten bolts and nuts with nut driver and hex key which are included in pack , as shown in Image 13.

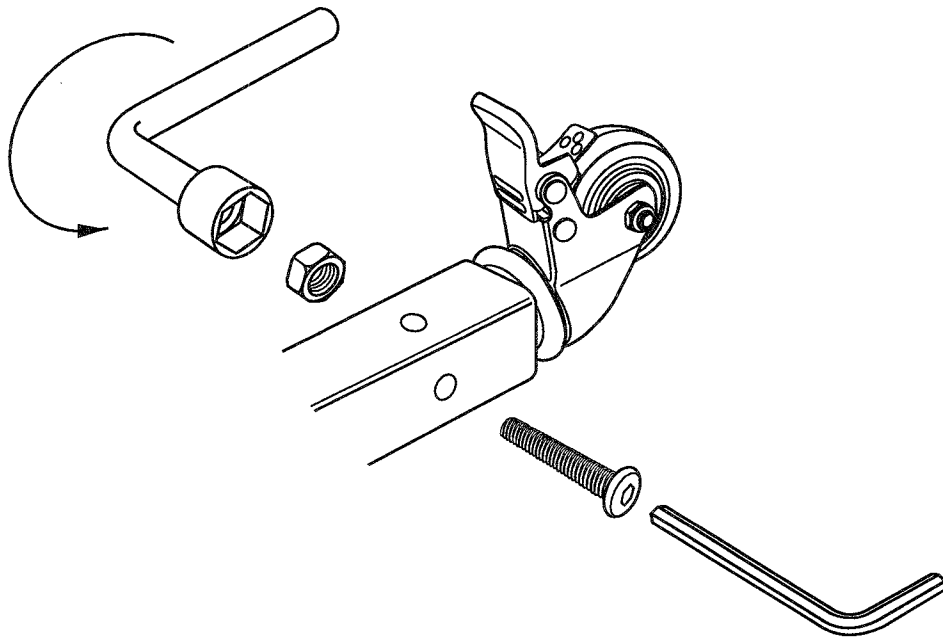


Image 13

ASSEMBLY

Potting Bench

Flip over the bed again so it stands upright, then long boards B can rest on the wheels, as shown in Image 14.

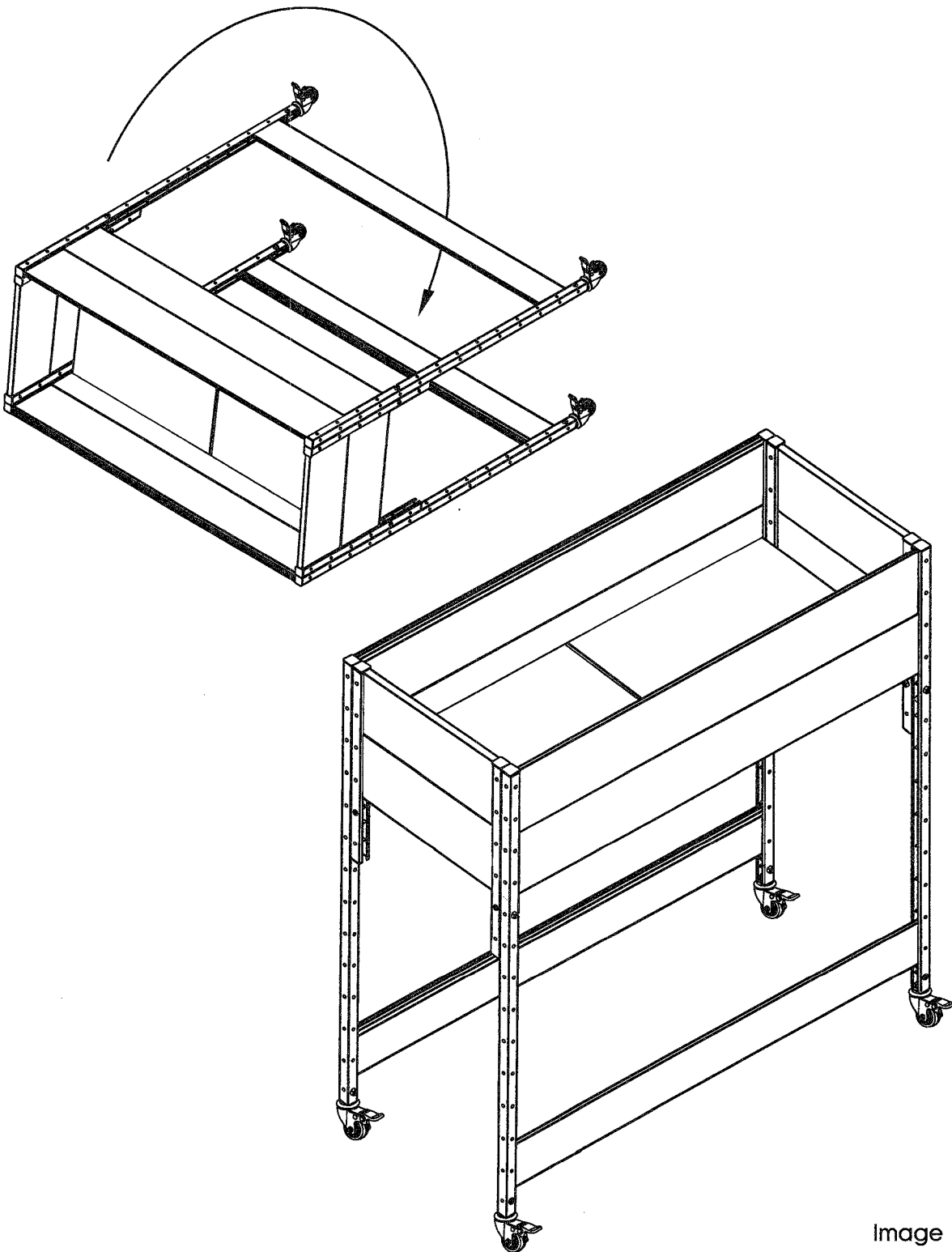
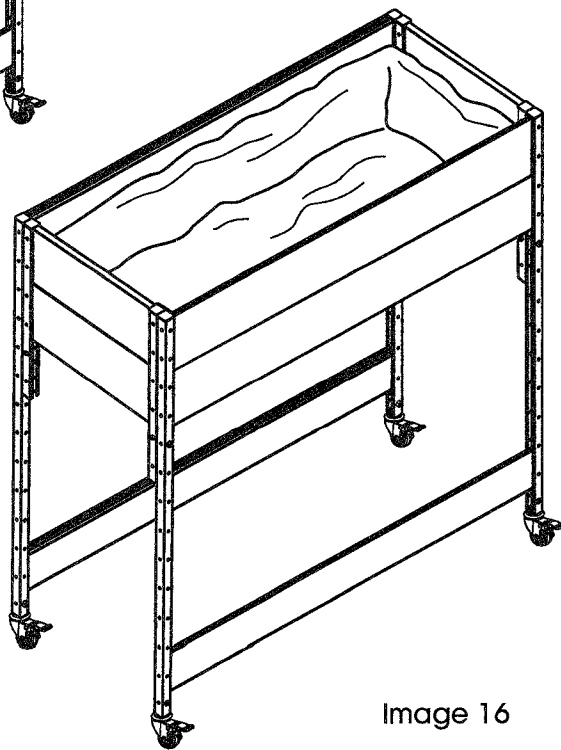
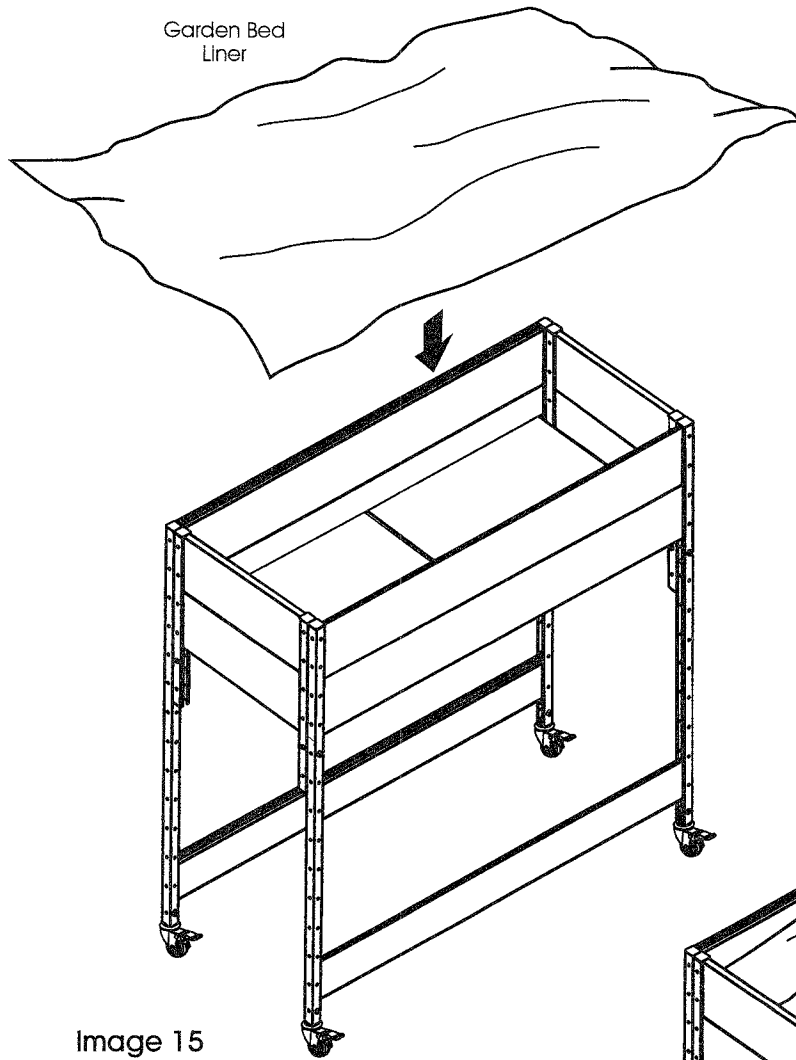


Image 14

ASSEMBLY

Potting Bench

Unfold the liner and cover the bottom of the garden bed, as shown in Image 15 and Image 16.



ASSEMBLY

Potting Bench

Place the remaining 2 bottom boards on the top of long boards B to create a shelf, as shown in Image 17. Alternatively, place the bottom board on the top of the bed to create a convenient potting platform, as shown in Image 18.

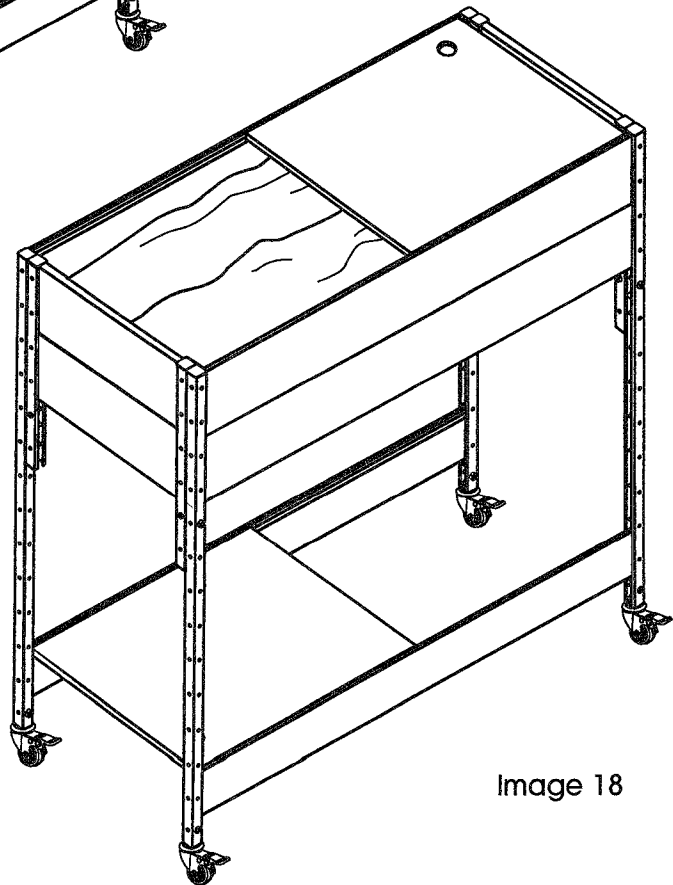
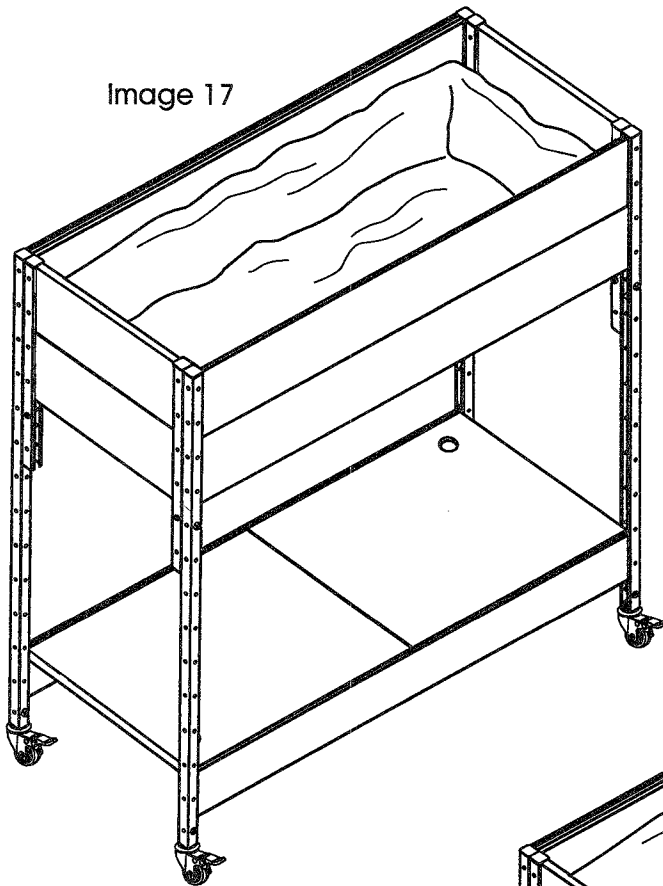


Image 18

Notes

Potting Bench

Sometimes there might be mis-alignment of corner brackets as showed in Image 19 and Image 20, which may result in difficulty of sliding boards into the post brackets. Please adjust them to the right position.

ASSEMBLING PROBLEM 1

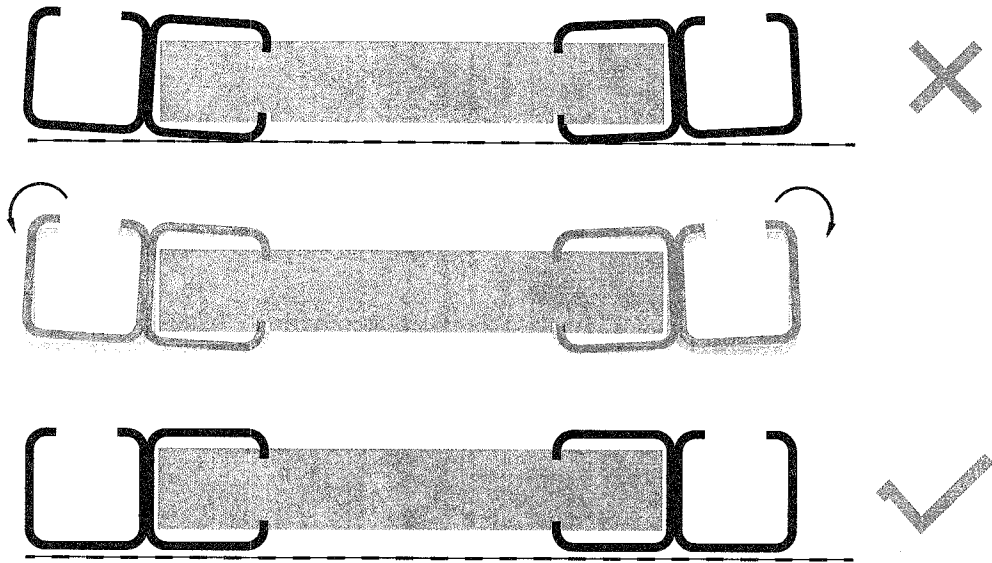


Image 19

ASSEMBLING PROBLEM 2

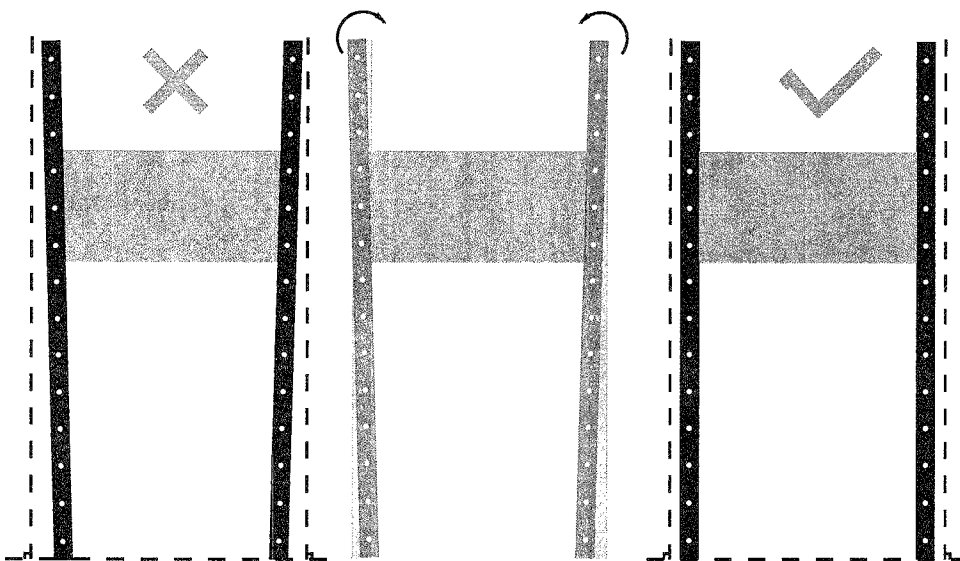


Image 20