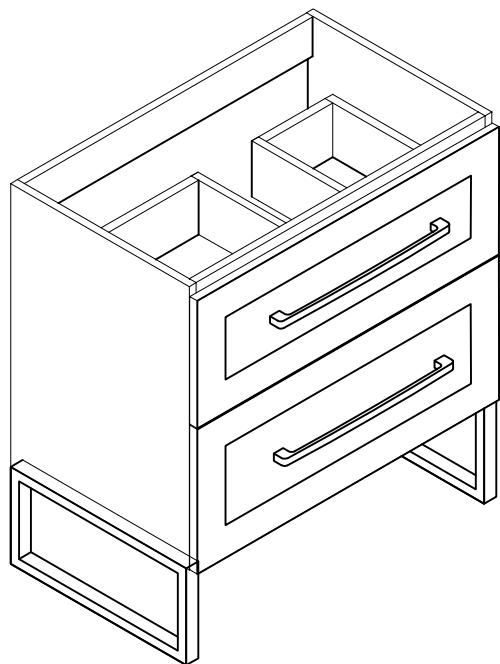


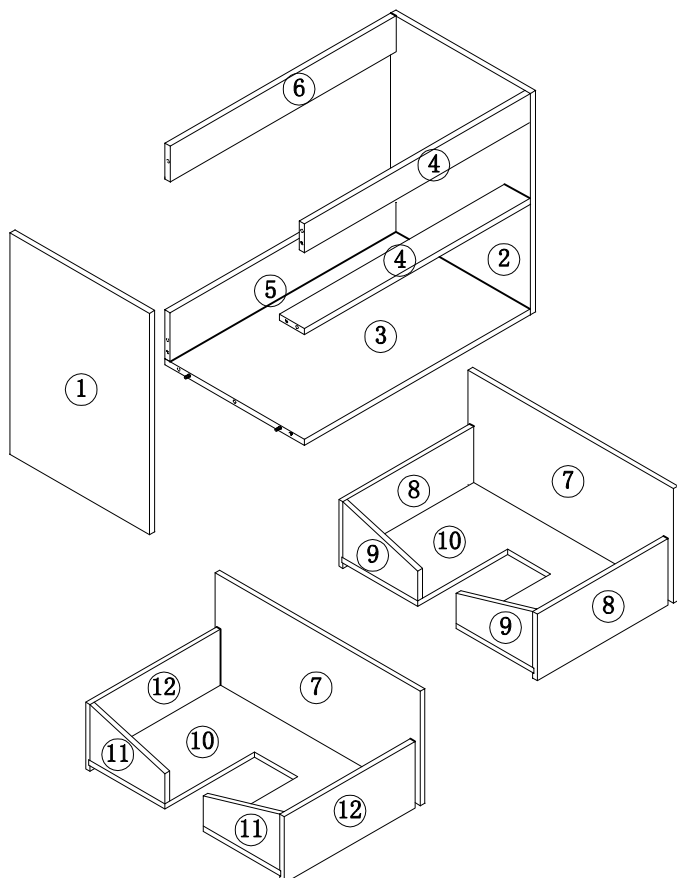
USEU14

YGW-B

# DIMENSIONS



# ASSEMBLY DIAGRAM

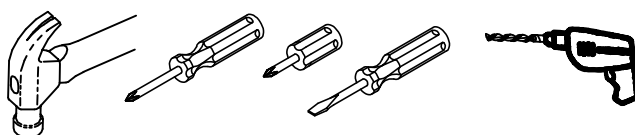


# PARTS LIST

PARTS LIST			HARDWARE LIST		
NO	DESCRIPTION	QTY	NO	DESCRIPTION	QTY
①		1	A		44
②		1	B		44
③		1	C		44
④		2	D		22
⑤		1	E		4
⑥		1	F		66
⑦		2	G		4
⑧		2	H		2
⑨		2	I		2
⑩		2	J		2
⑪		2			
⑫		2			
⑬					
⑭					
⑮					
⑯					
⑰					

CAUTION: Please confirm the parts list before installation

YOU MAY NEED (NOT SUPPLIED)

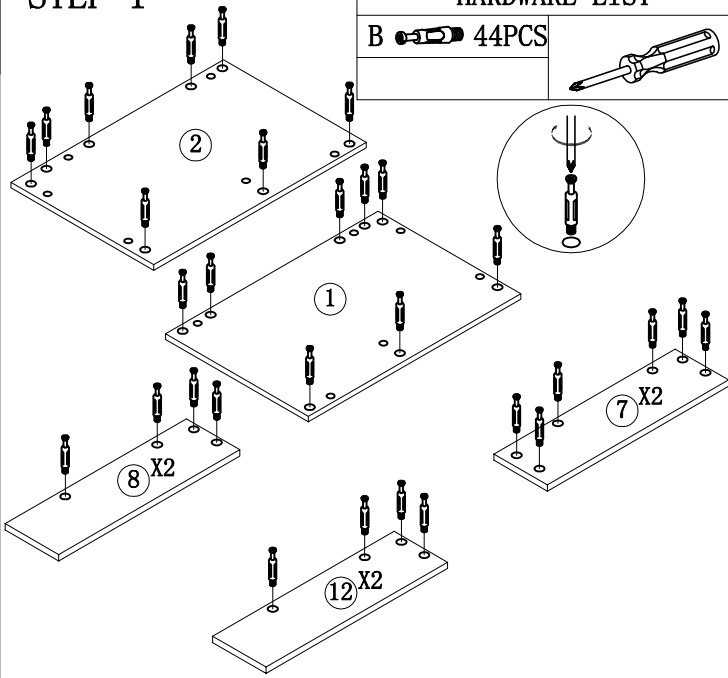
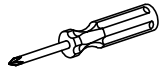


# INSTALLATIONS

## STEP 1

### HARDWARE LIST

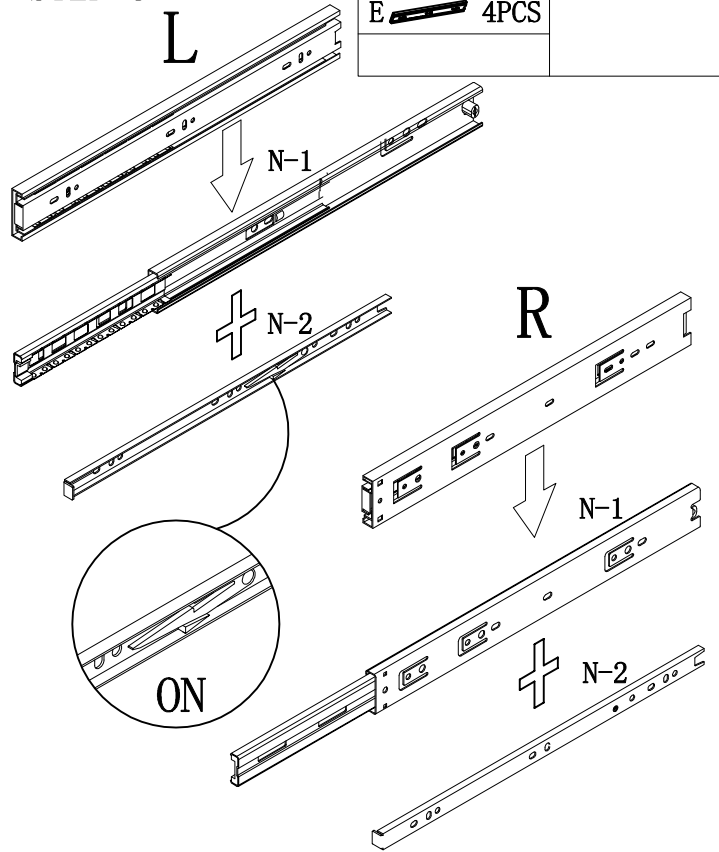
B  44PCS



## STEP 3

### HARDWARE LIST

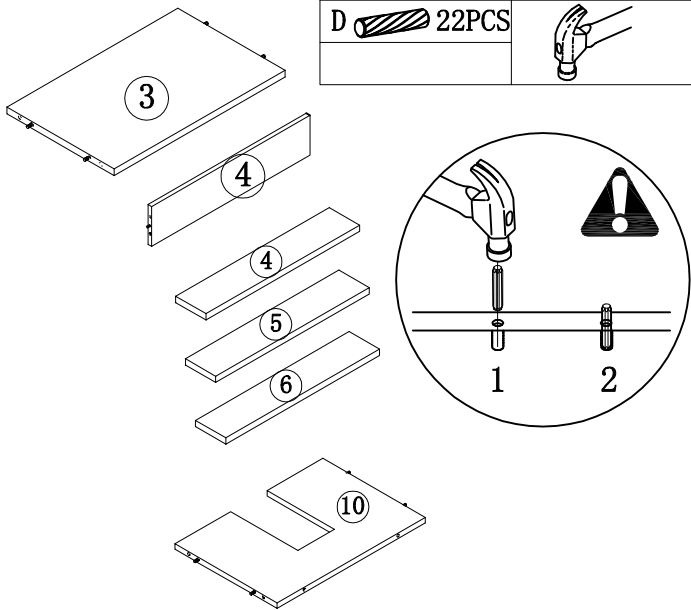
E  4PCS



## STEP 2

### HARDWARE LIST

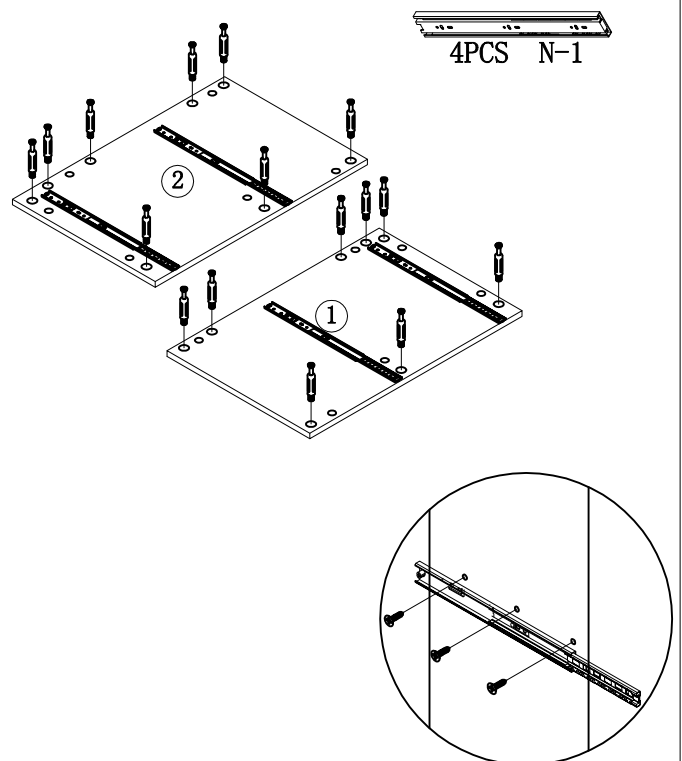
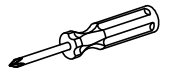
D  22PCS




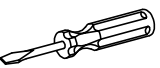

## STEP 4

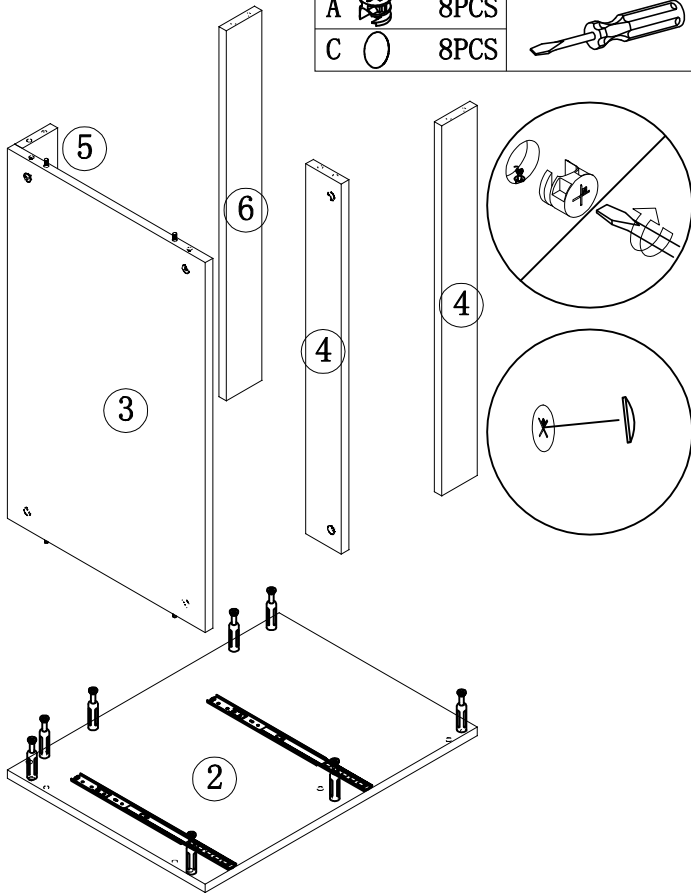
### HARDWARE LIST

F  12PCS


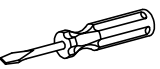



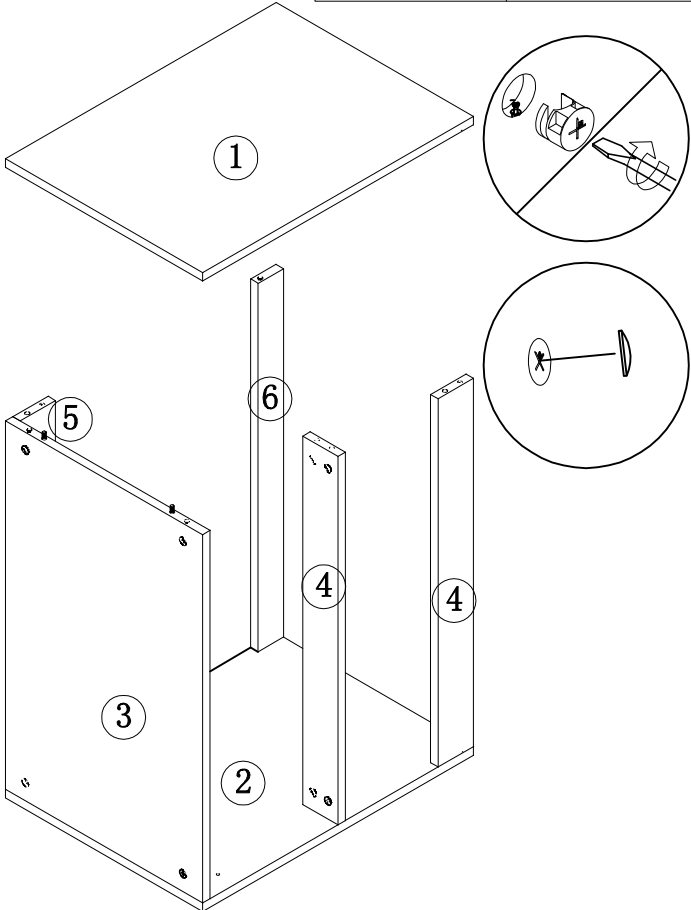
### STEP 5

HARDWARE LIST			
A		8PCS	
C		8PCS	


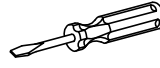


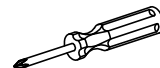



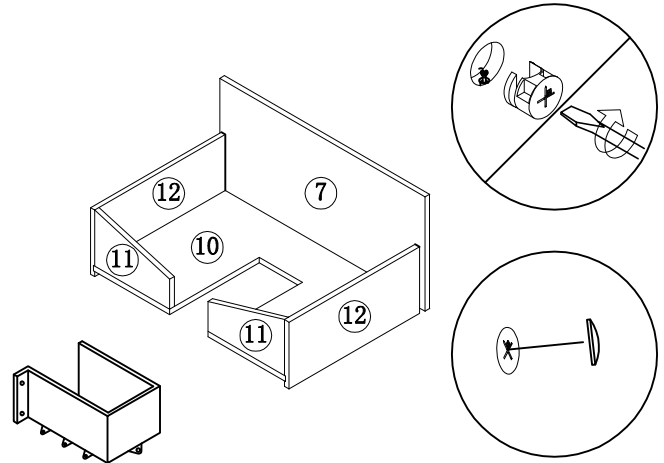
### STEP 6

HARDWARE LIST			
A		8PCS	
C		8PCS	


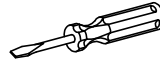


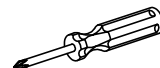



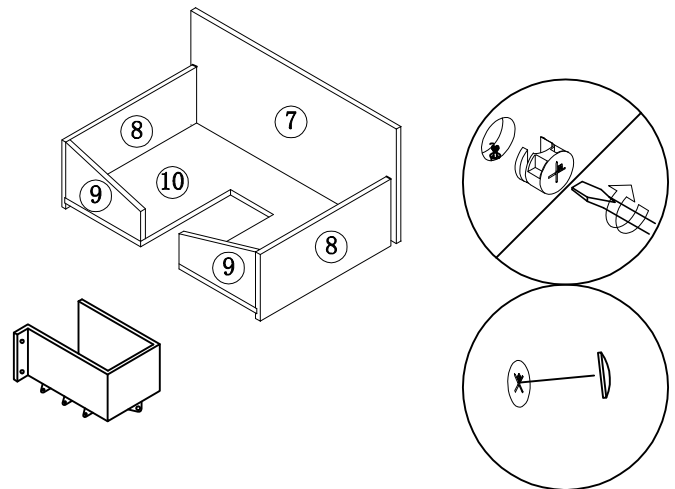
### STEP 7

HARDWARE LIST			
A		14PCS	
C		14PCS	
I		1PCS	
F		10PCS	




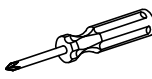

### STEP 8

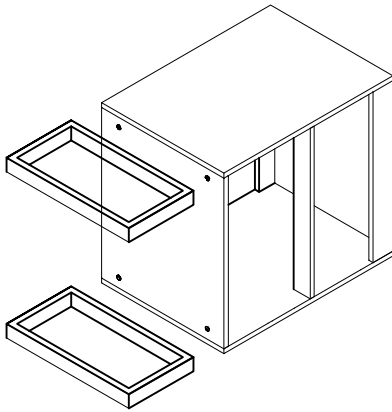
HARDWARE LIST			
A		14PCS	
C		14PCS	
I		1PCS	
F		10PCS	



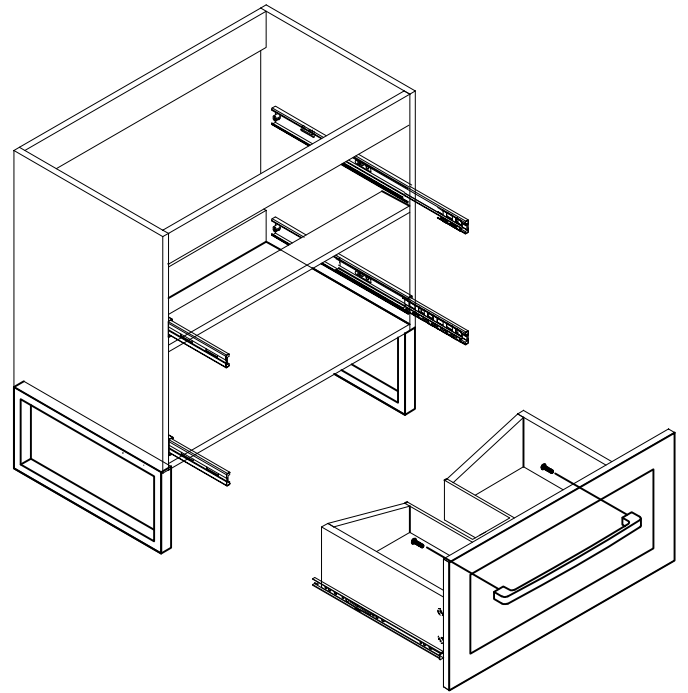
# STEP 9

## HARDWARE LIST

F		6PCS	
J		2PCS	


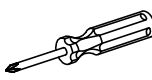




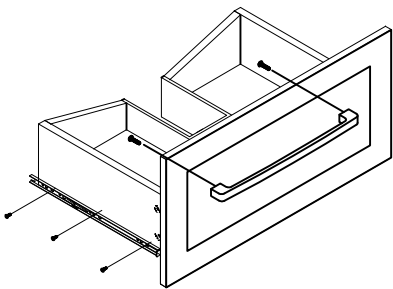
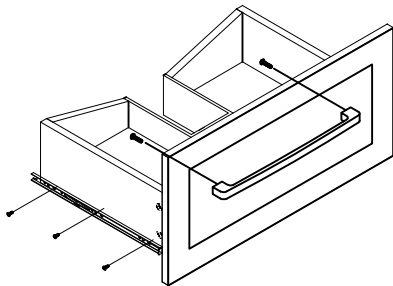
# STEP 11



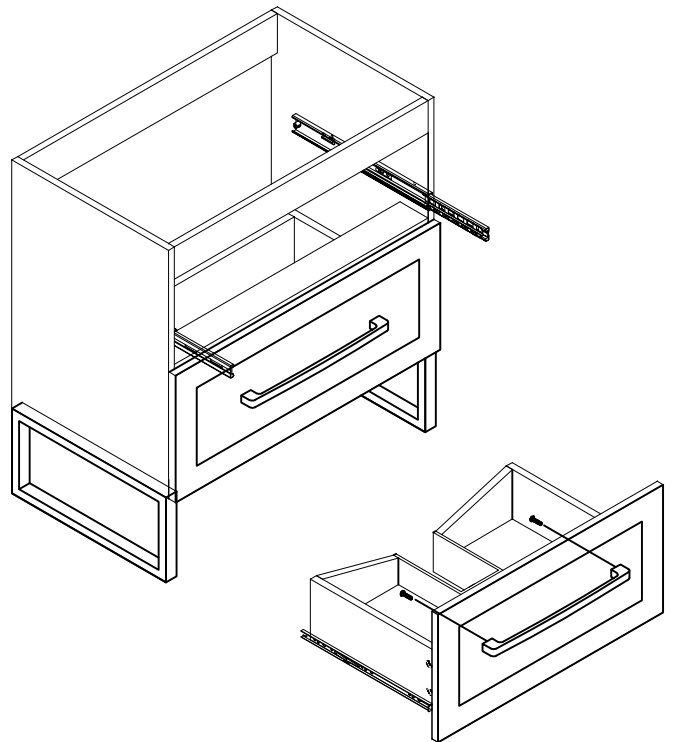
# STEP 10

## HARDWARE LIST

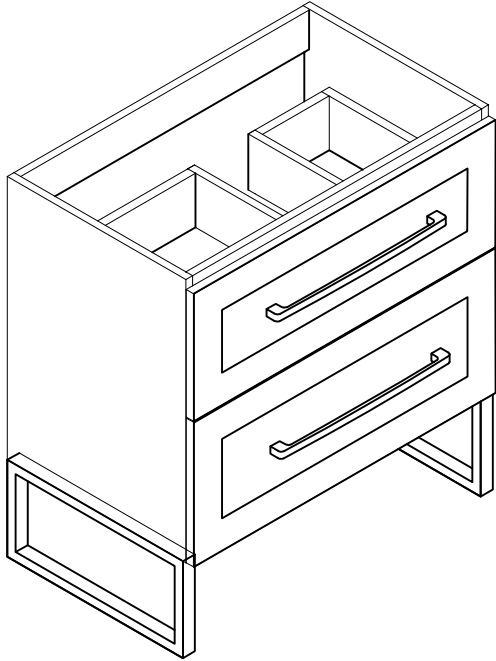
G		4PCS	
H		2PCS	
F		12PCS	



# STEP 12



STEP 13



**Choking hazard-Small Parts :** This unit contains small parts, not for children under 3 years.

**Tip-over hazard :** Secure finished unit to wall stud using L-Bracket and wall screw (#10\*1.5"W/out provided). If a wall stud is

not neccessible ,Consault your local hardware store for appropriate mounting hardware . Failure to properly install will result in product collapse or tip-over. Serious injury can occur .