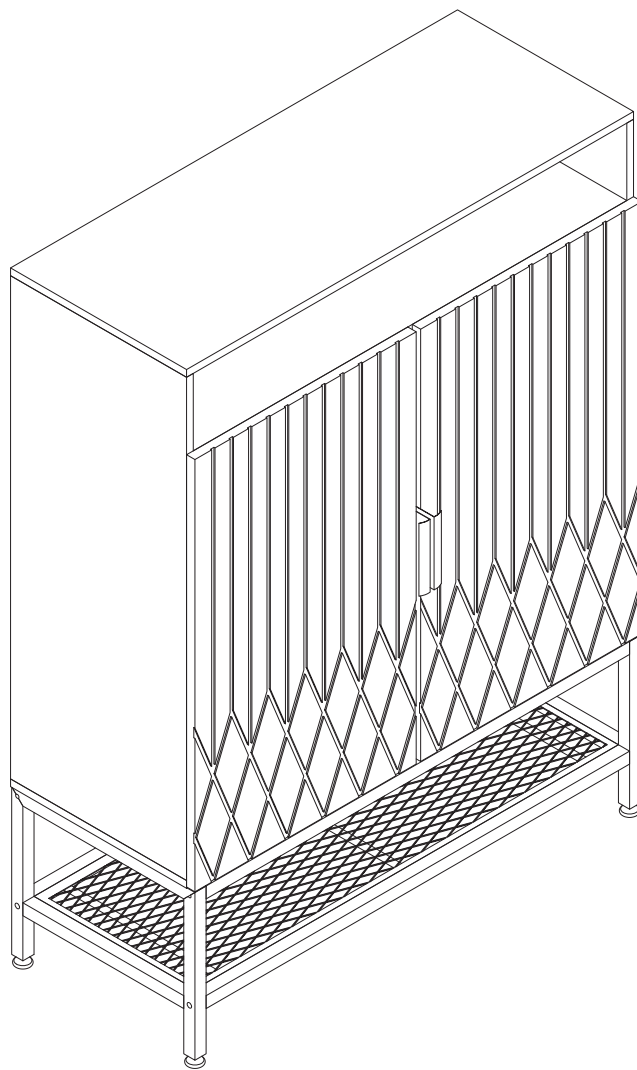
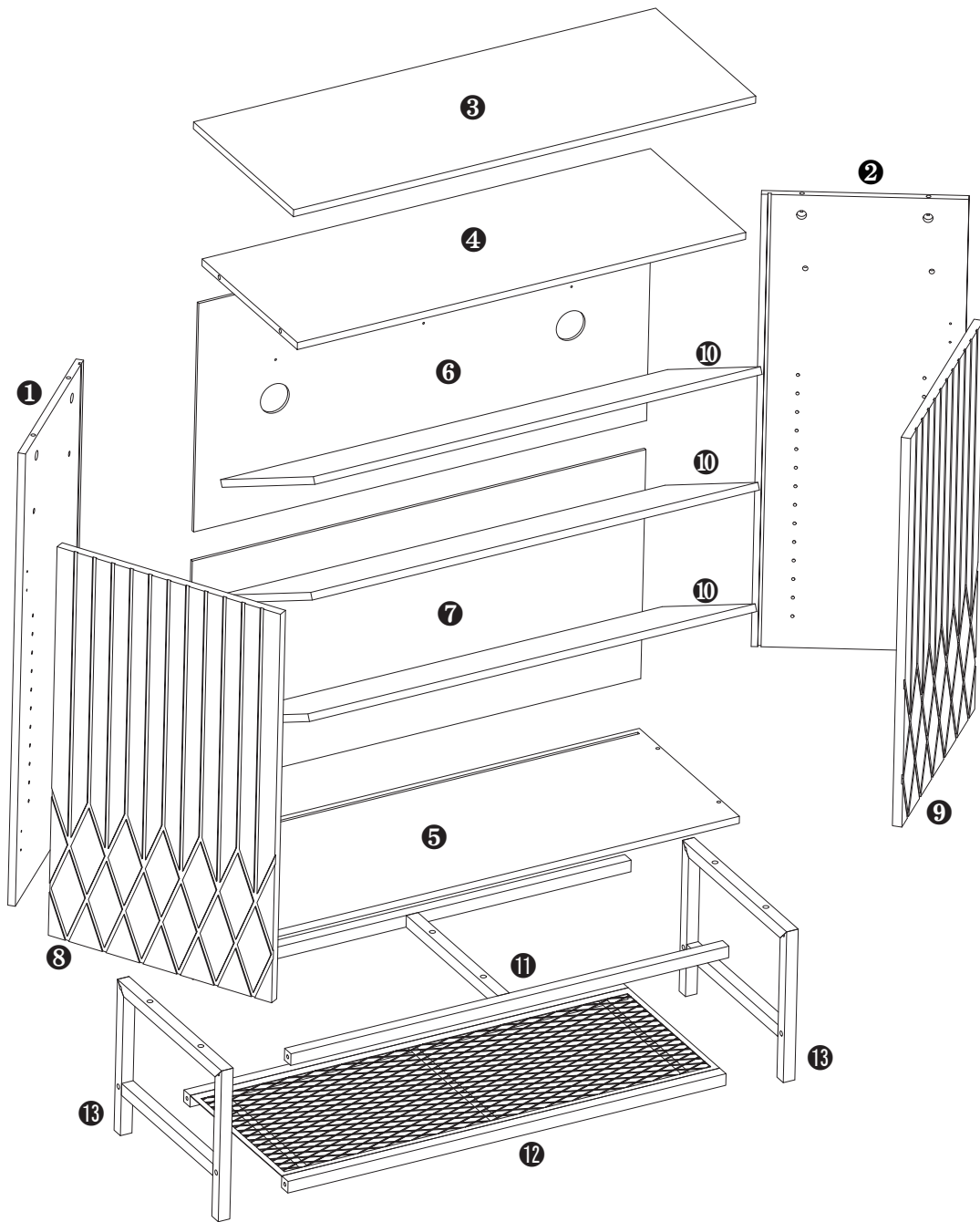


# Shoes Cabinet Instruction Manual



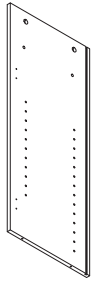
# ASSEMBLY INSTRUCTION

## Decomposition of components



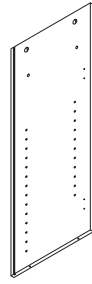
- 1、 To make sure you finish installation in the shortest time and easiest way, please strictly follow the steps of the instruction. If you have a helper, the installation will be certainly easier.
- 2、 Some parts of the shoes cabinet have sharp edges, so please be attentive to avoid scratches when installing;
- 3、 Due to the small size of some parts, please put them in a safe position when installing them to avoid accidental;
- 4、 We offer customers a free lifetime warranty. If you need help regarding product issues, after-sales service or other relevant problems, please contact us via the email provided on the cover.

1



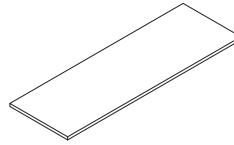
x1

2



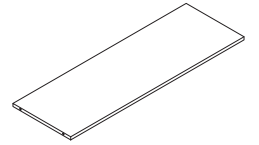
x1

3



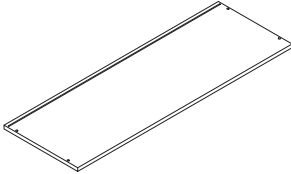
x1

4



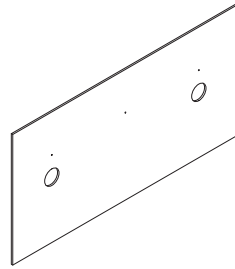
x1

5



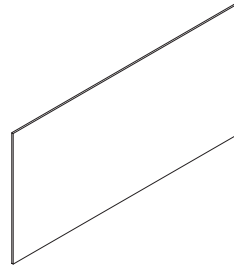
x1

6



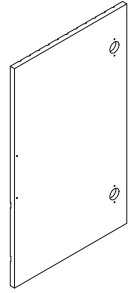
x1

7



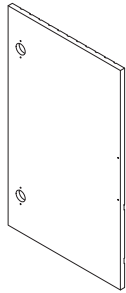
x1

8



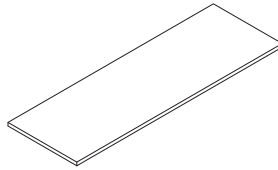
x1

9



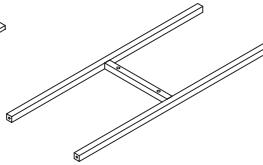
x1

10



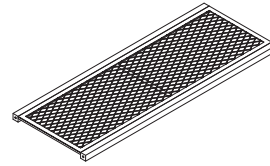
x3

11



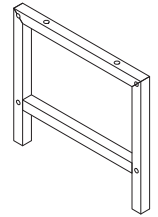
x1

12



x1

13



x2

A



x4

B



x8

C



M3.5\*14

x39

D



M5\*40

x4

E



M6\*40

x8

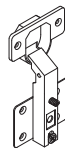
F



M6\*28

x6

G



x4

H



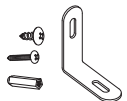
x2

I



x12

J



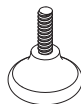
x2

K



x1

L



x4

M



x8

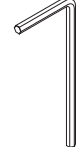
N



x4

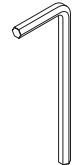
### Installation tools

3#

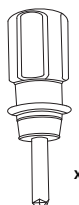


x1

4#

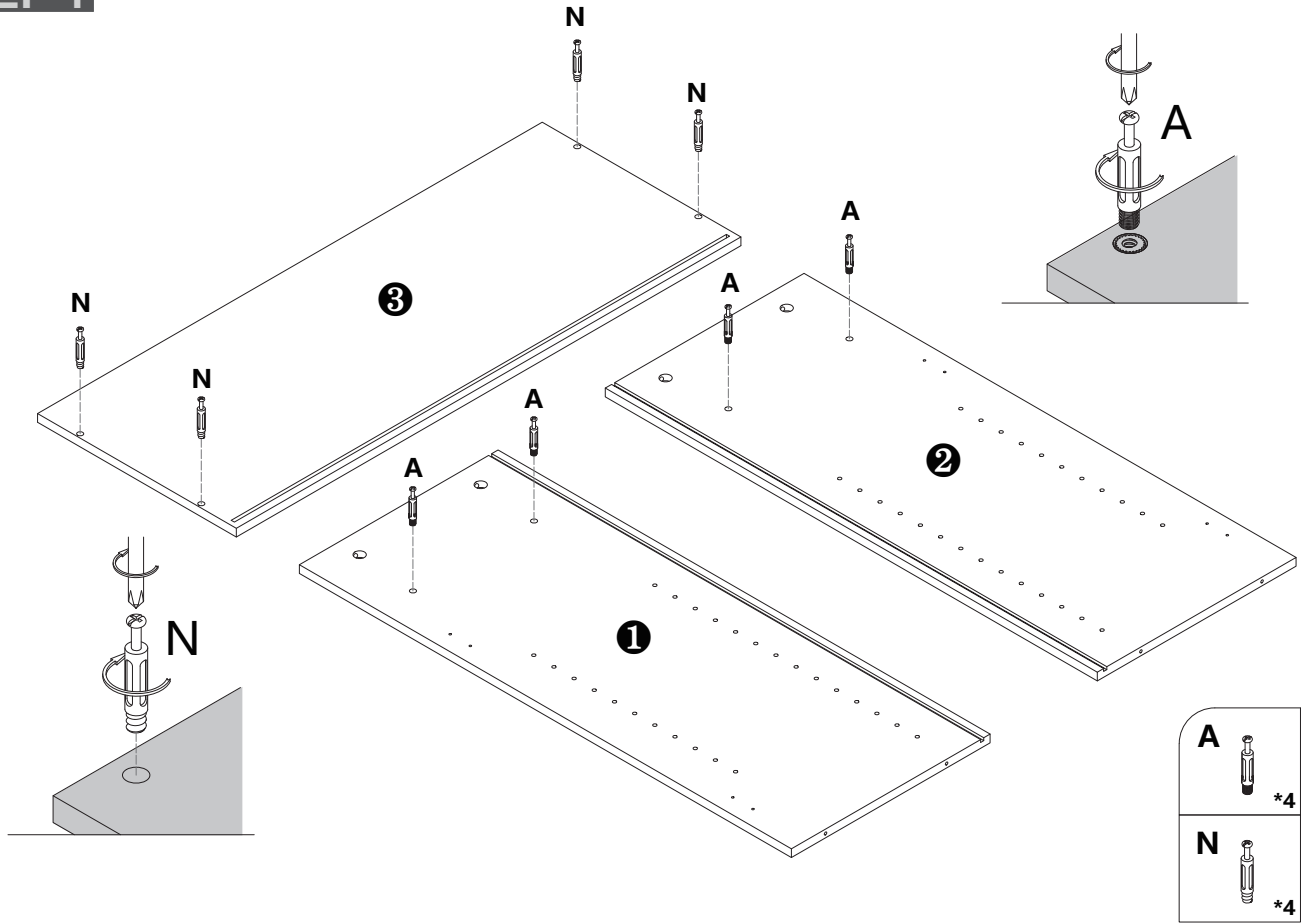


x1

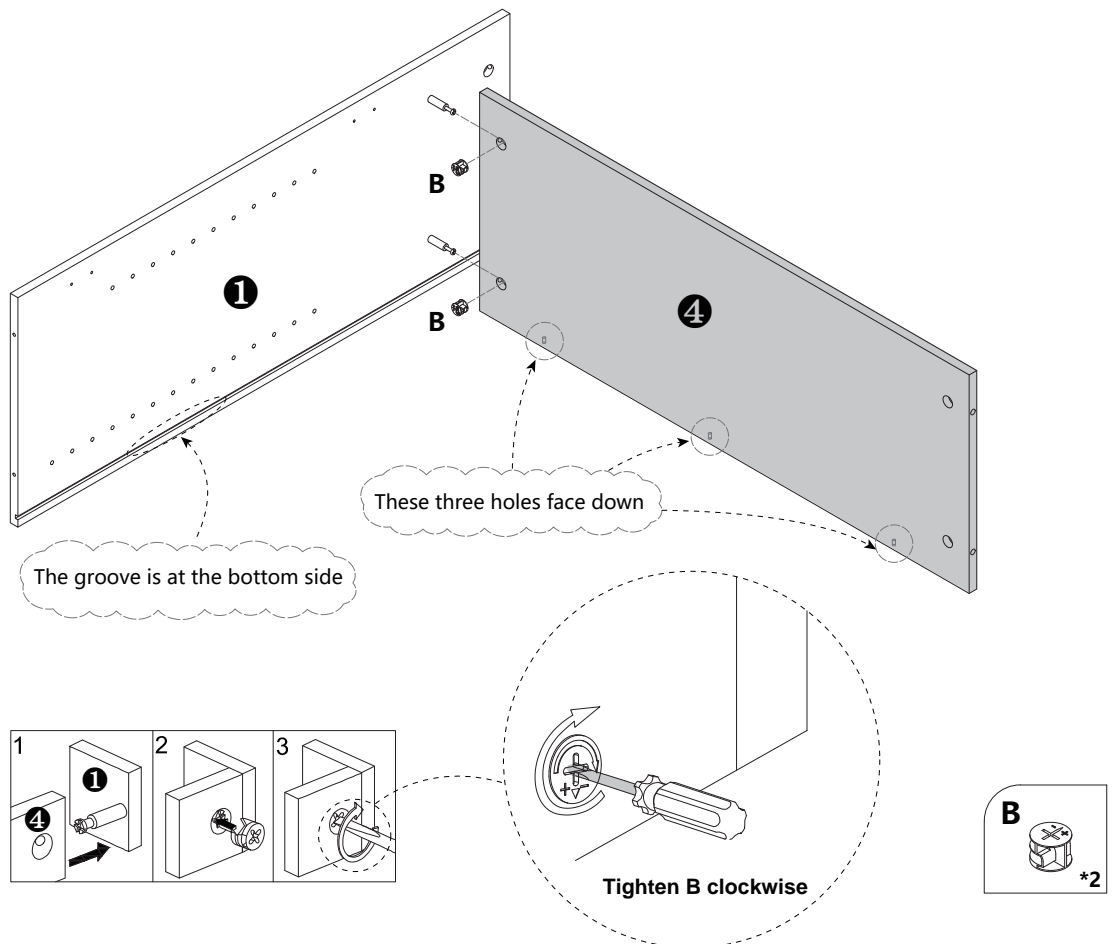


x1

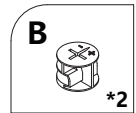
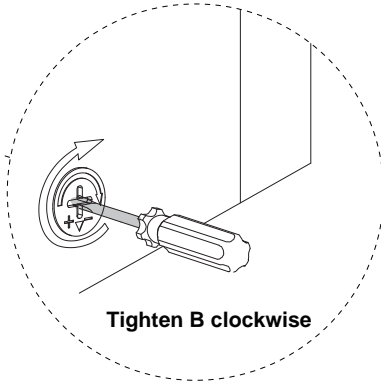
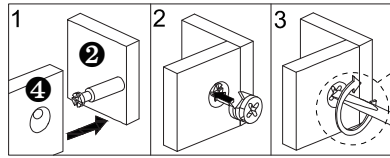
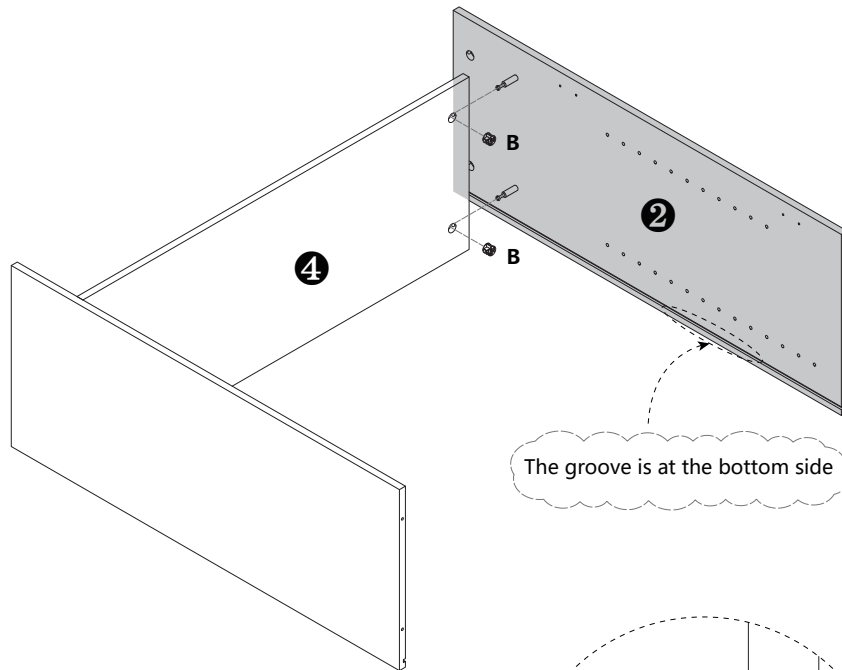
# STEP 1



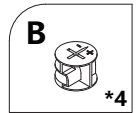
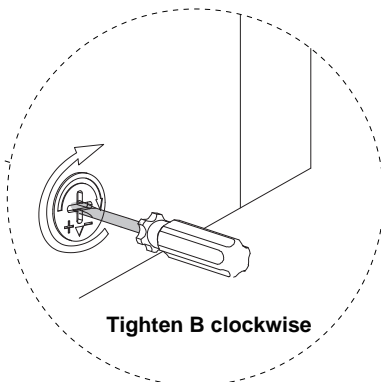
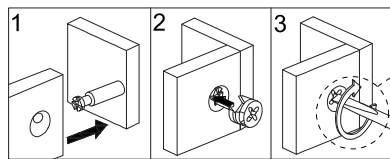
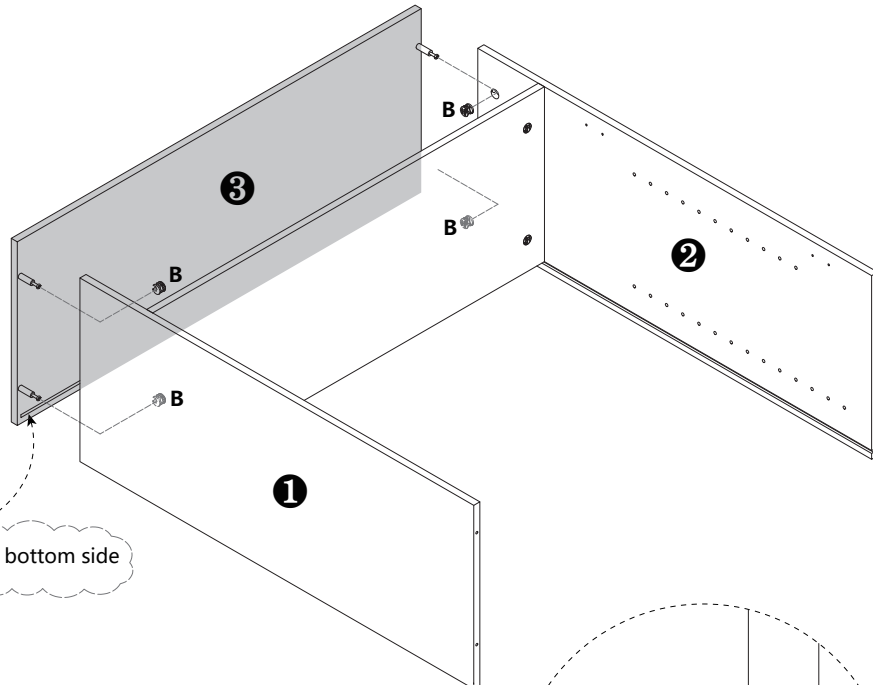
# STEP 2



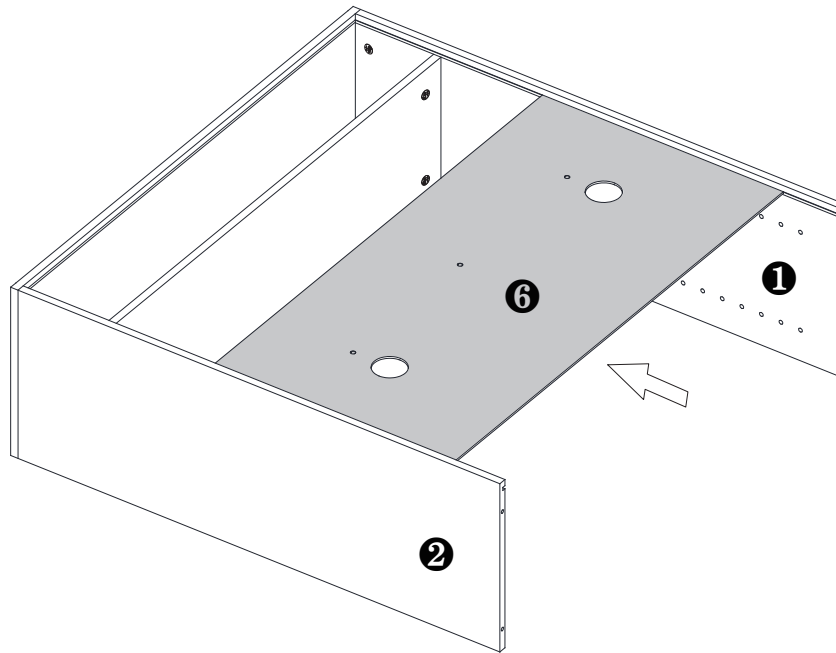
### STEP 3



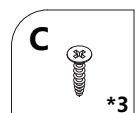
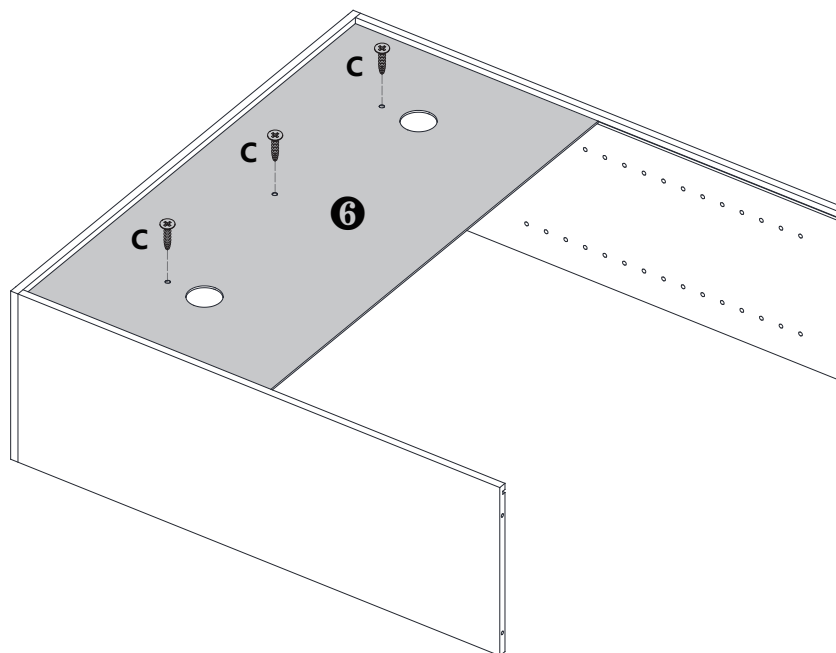
### STEP 4



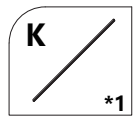
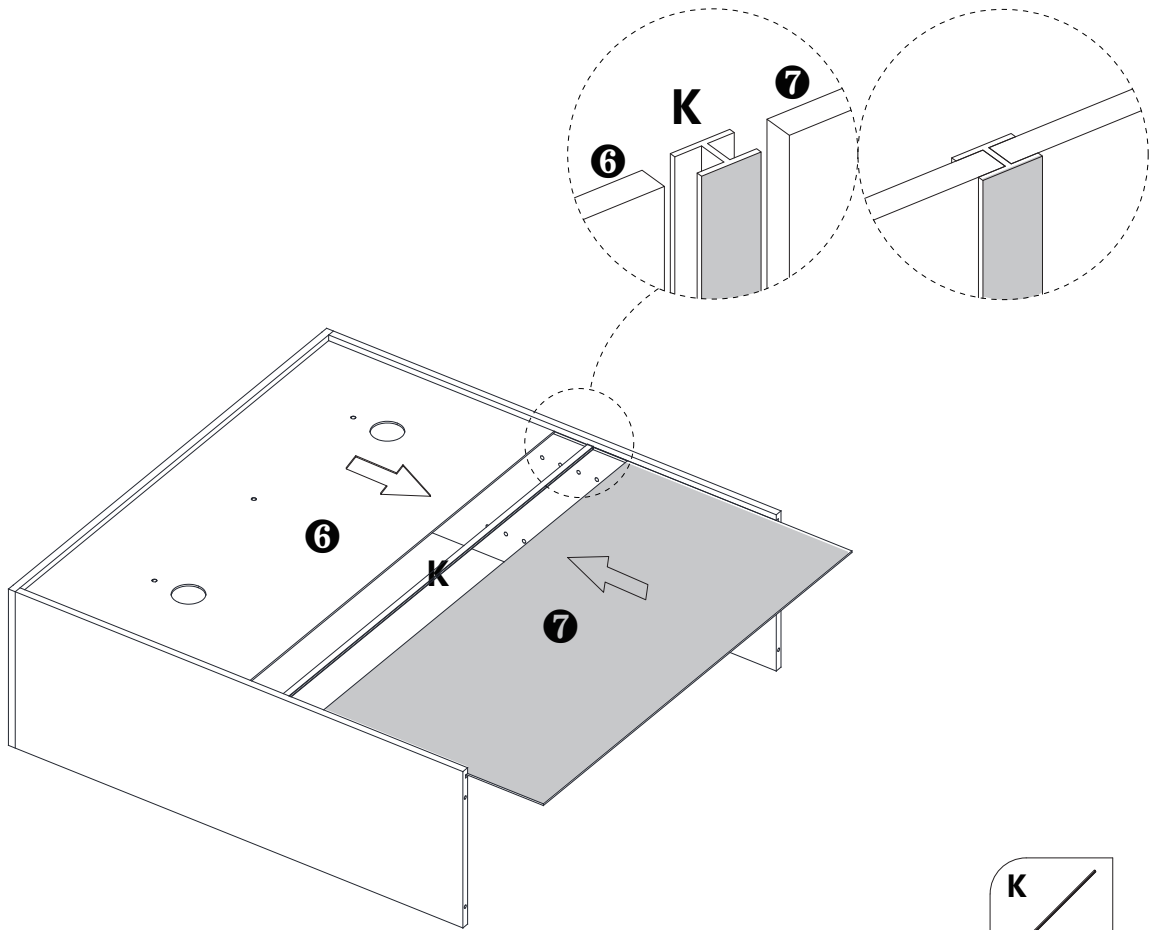
## STEP 5



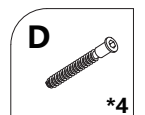
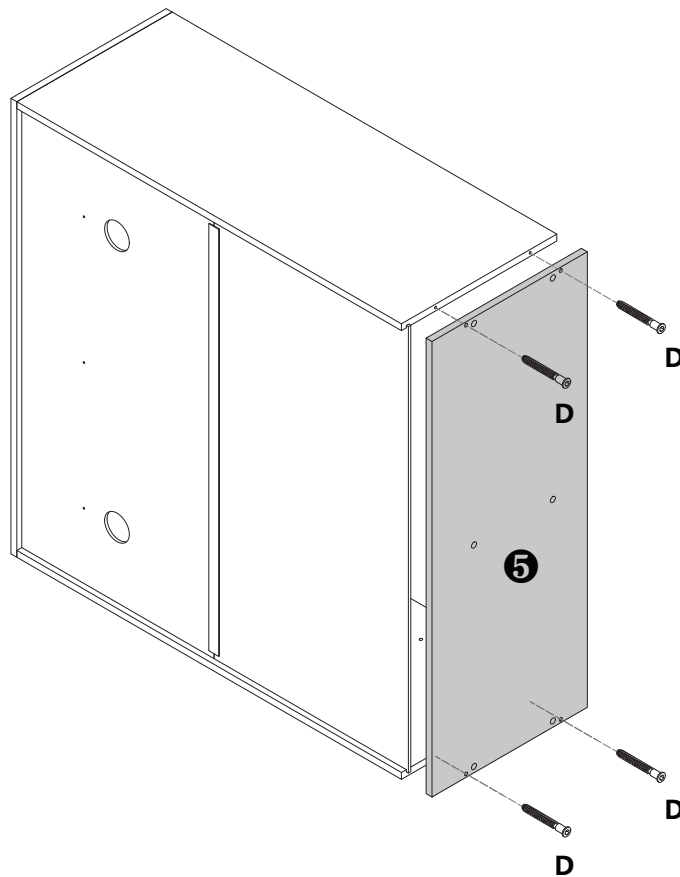
## STEP 6



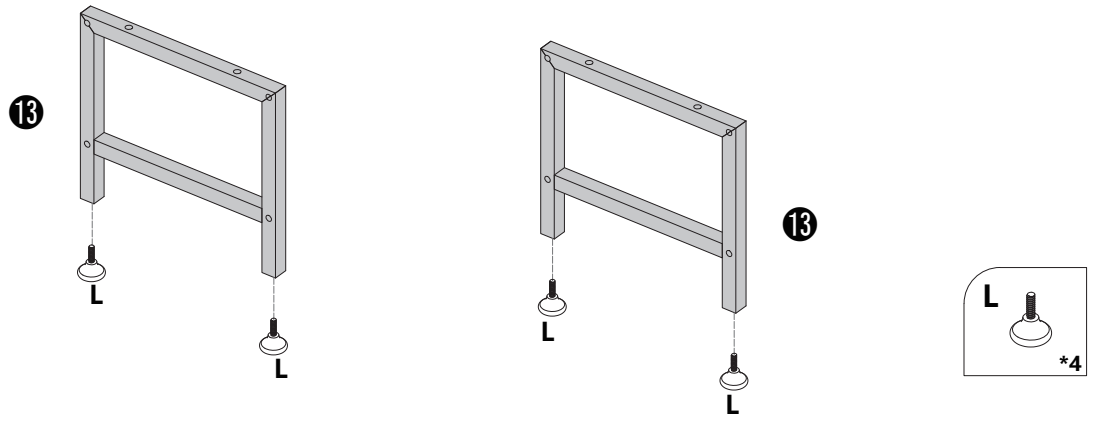
# STEP 7



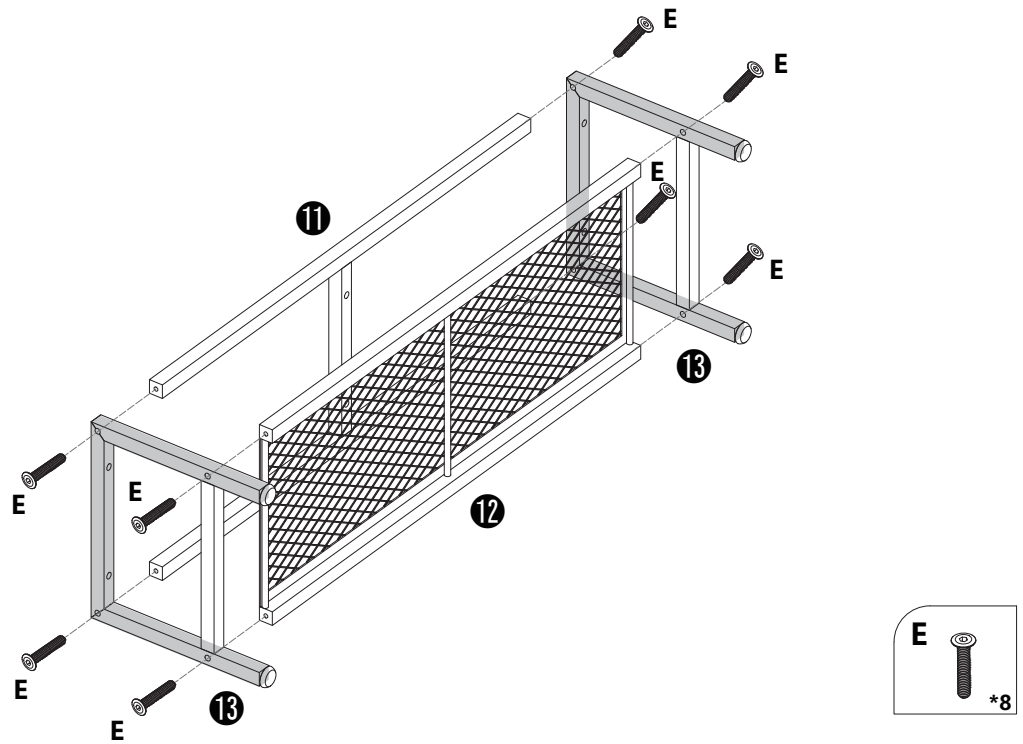
# STEP 8



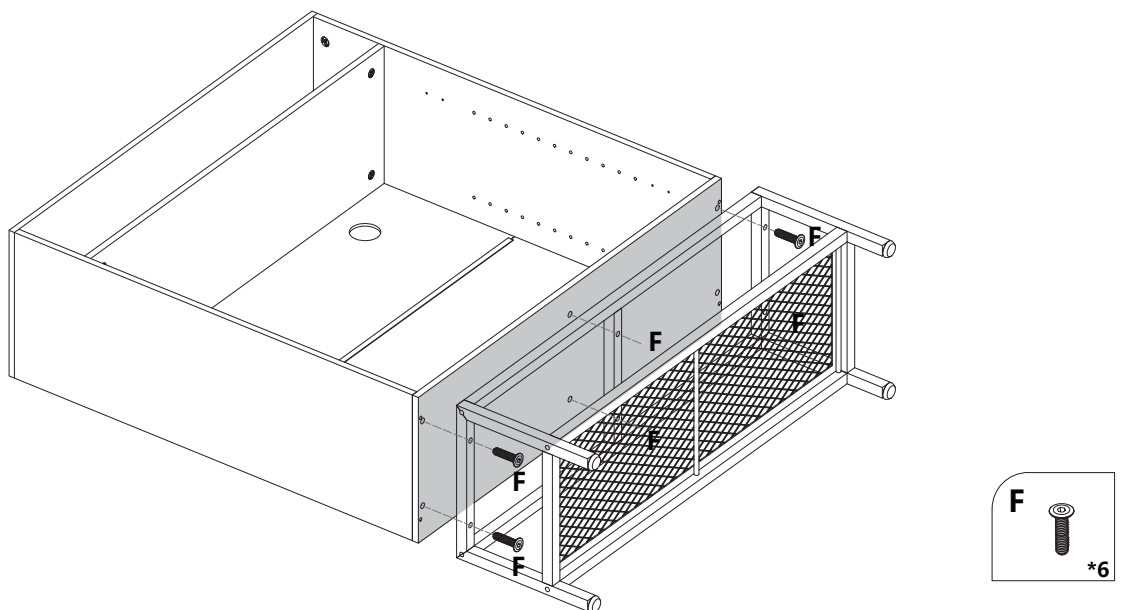
# STEP 9



# STEP 10

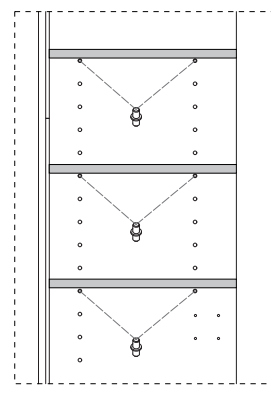
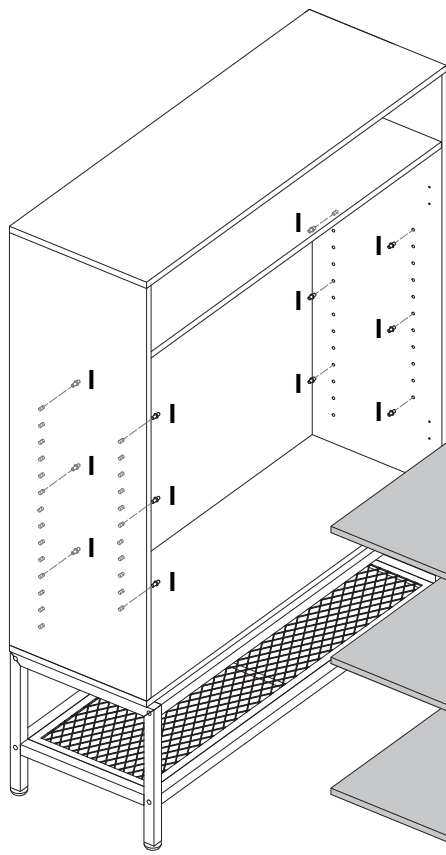


# STEP 11

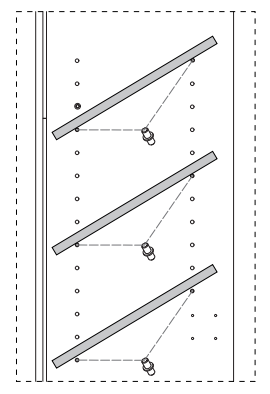


# STEP 12

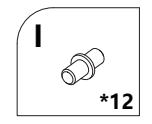
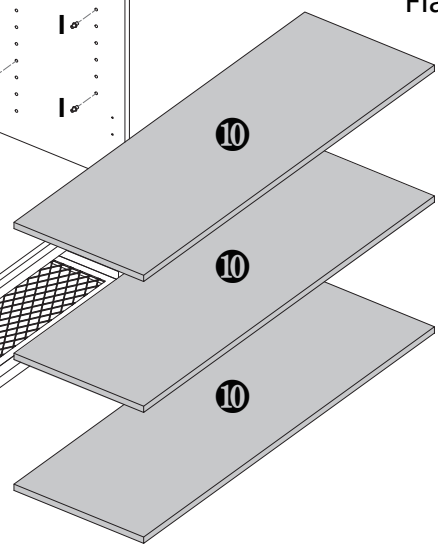
Position ⑩ as your needs



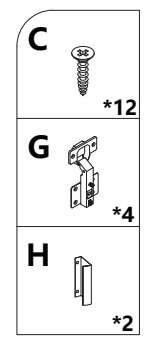
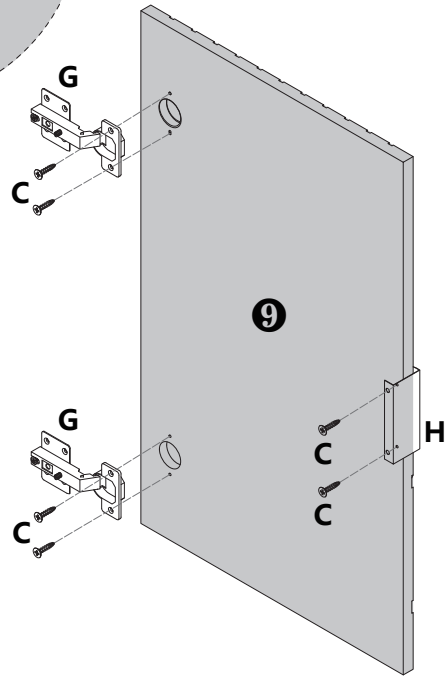
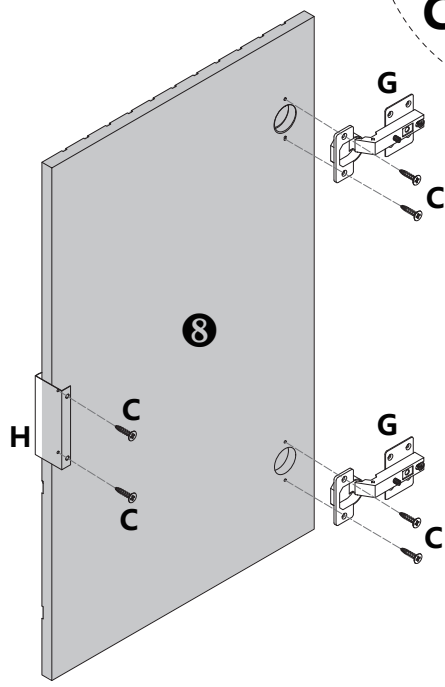
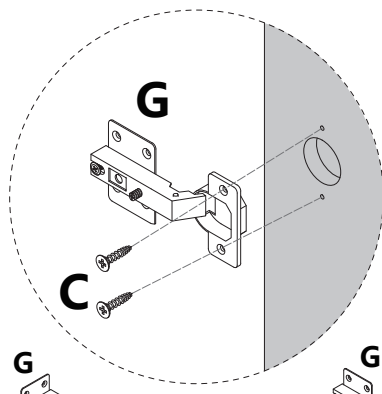
Flat



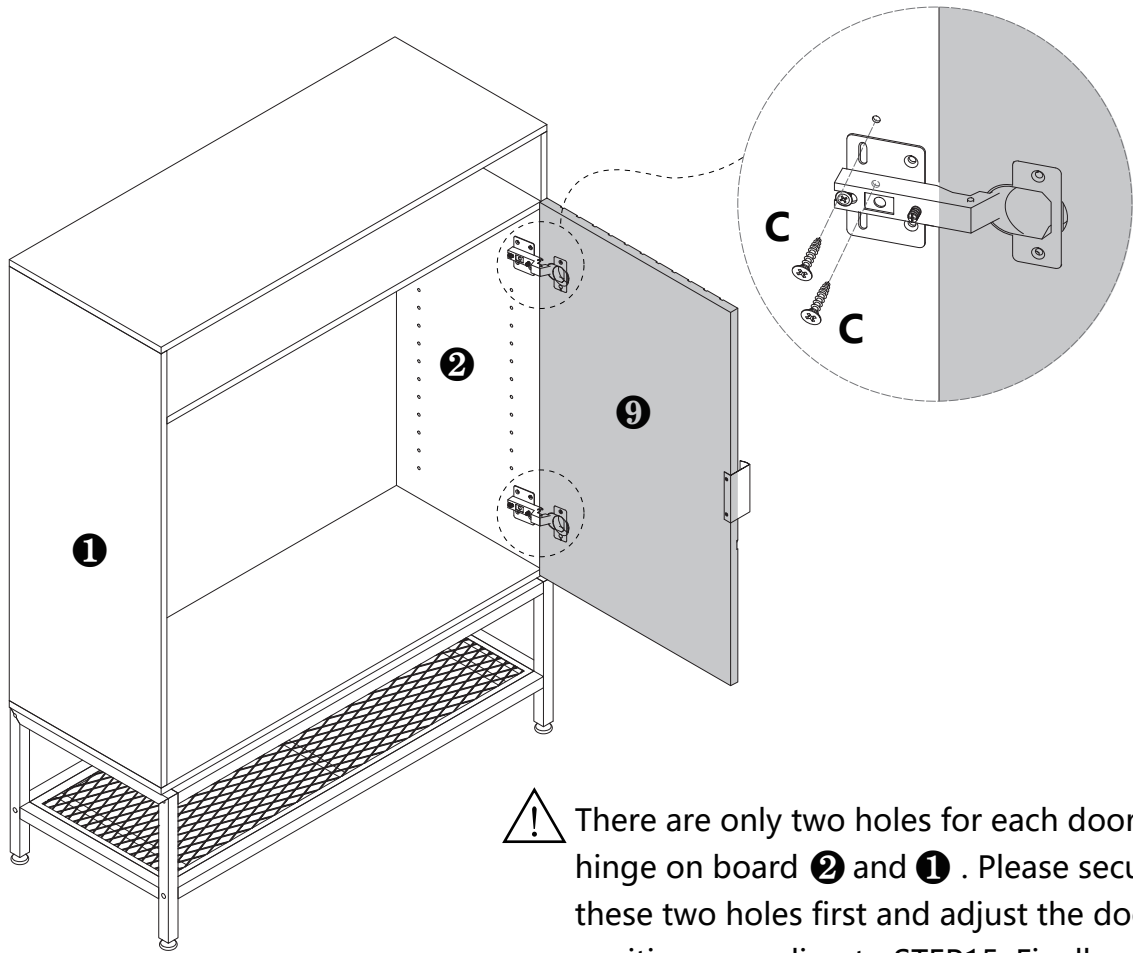
Tilt




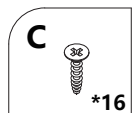
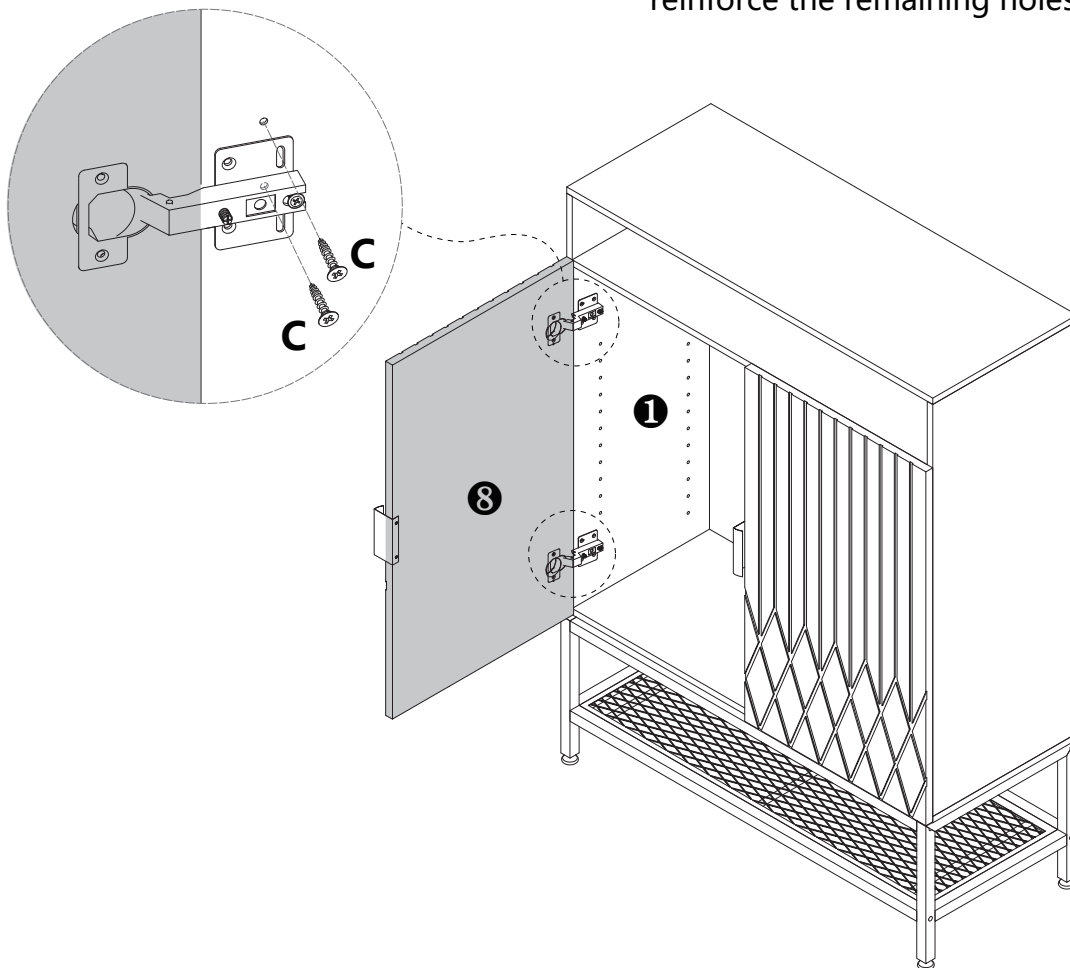
# STEP 13



# STEP 14

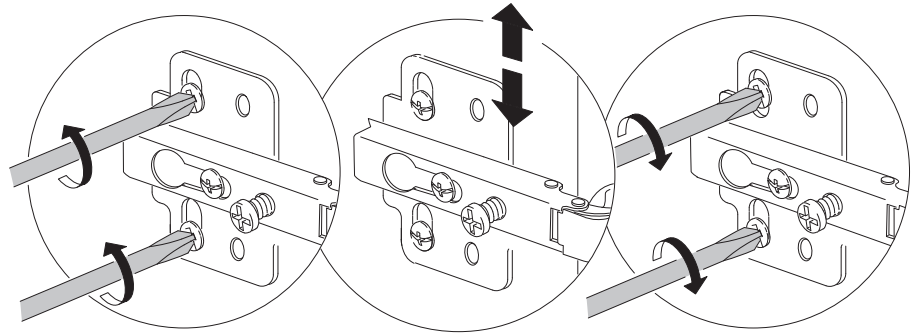
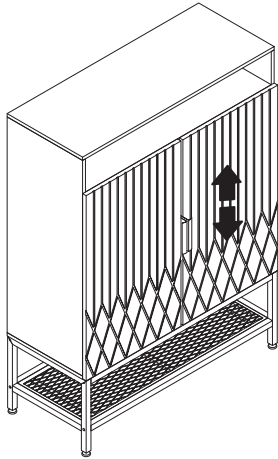


 There are only two holes for each door hinge on board ② and ①. Please secure these two holes first and adjust the door position according to STEP15. Finally, reinforce the remaining holes as your needs.

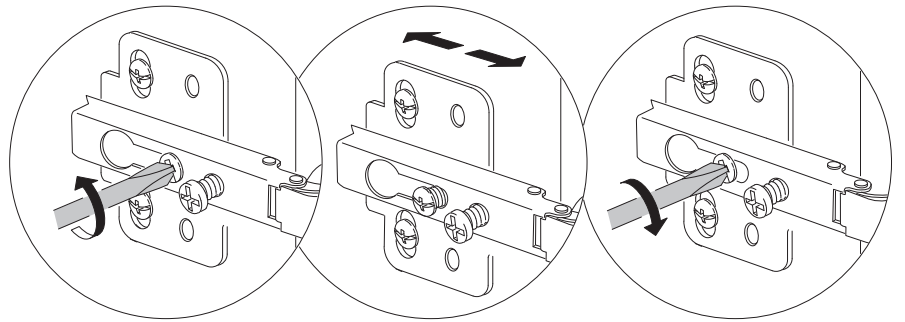
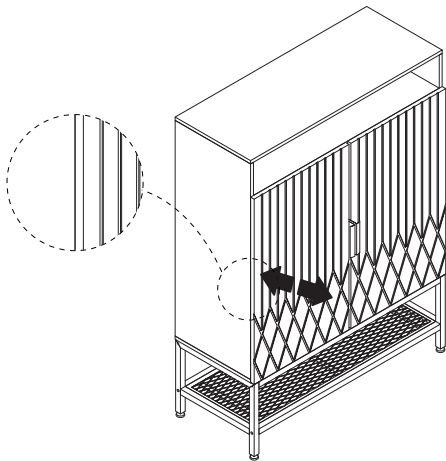


# STEP 15

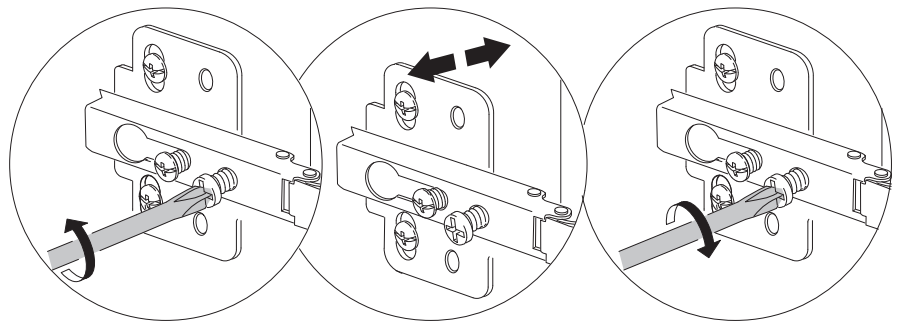
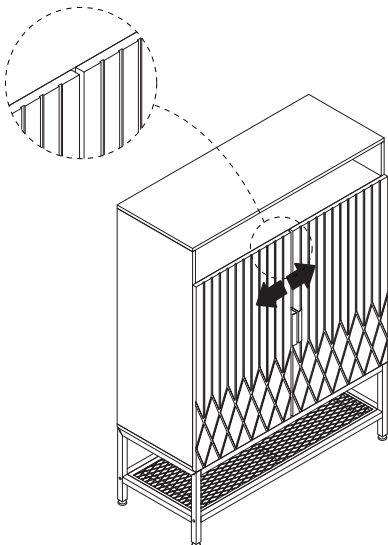
Adjust the hinge as your needs for doors position



Adjust door height

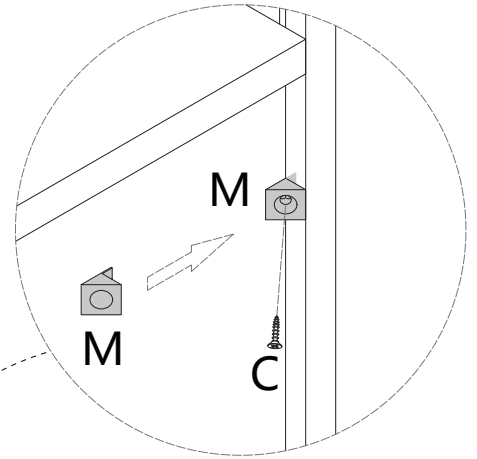
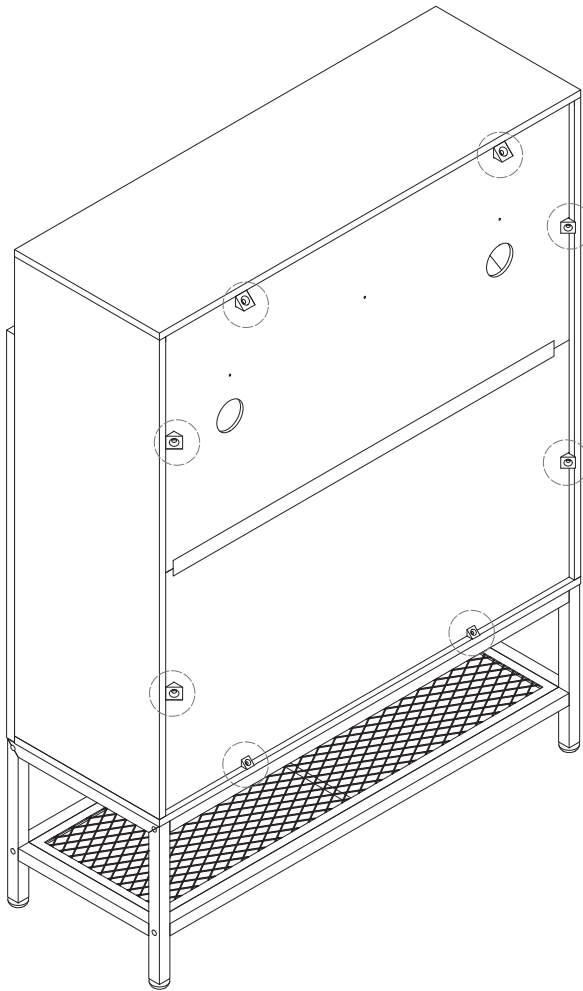


Adjust door depth

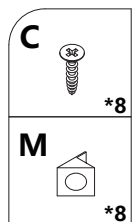


Adjust door length

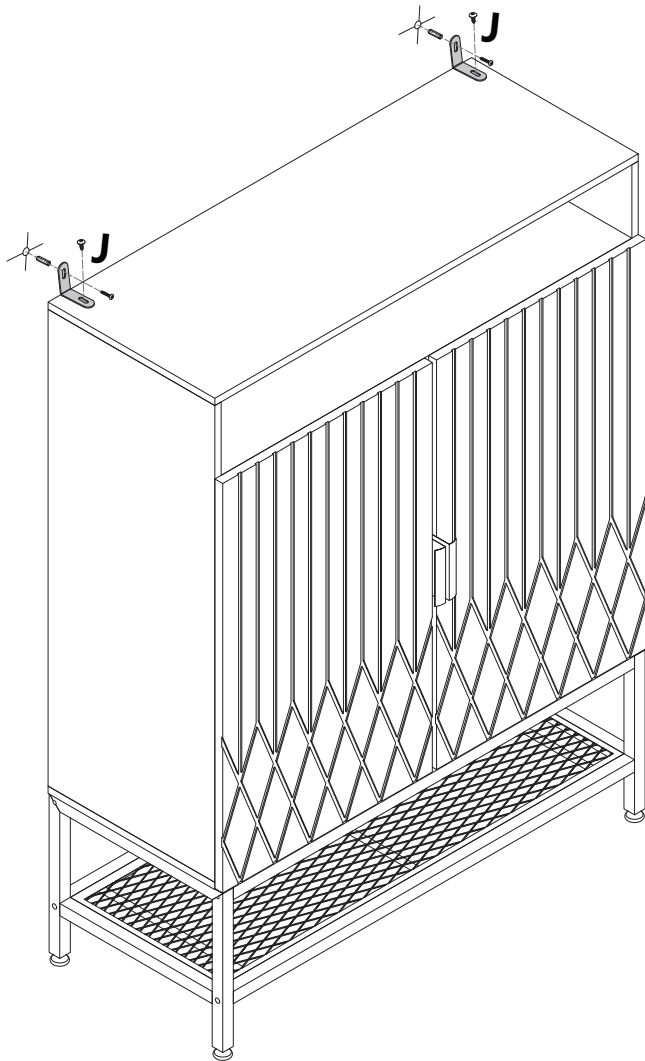
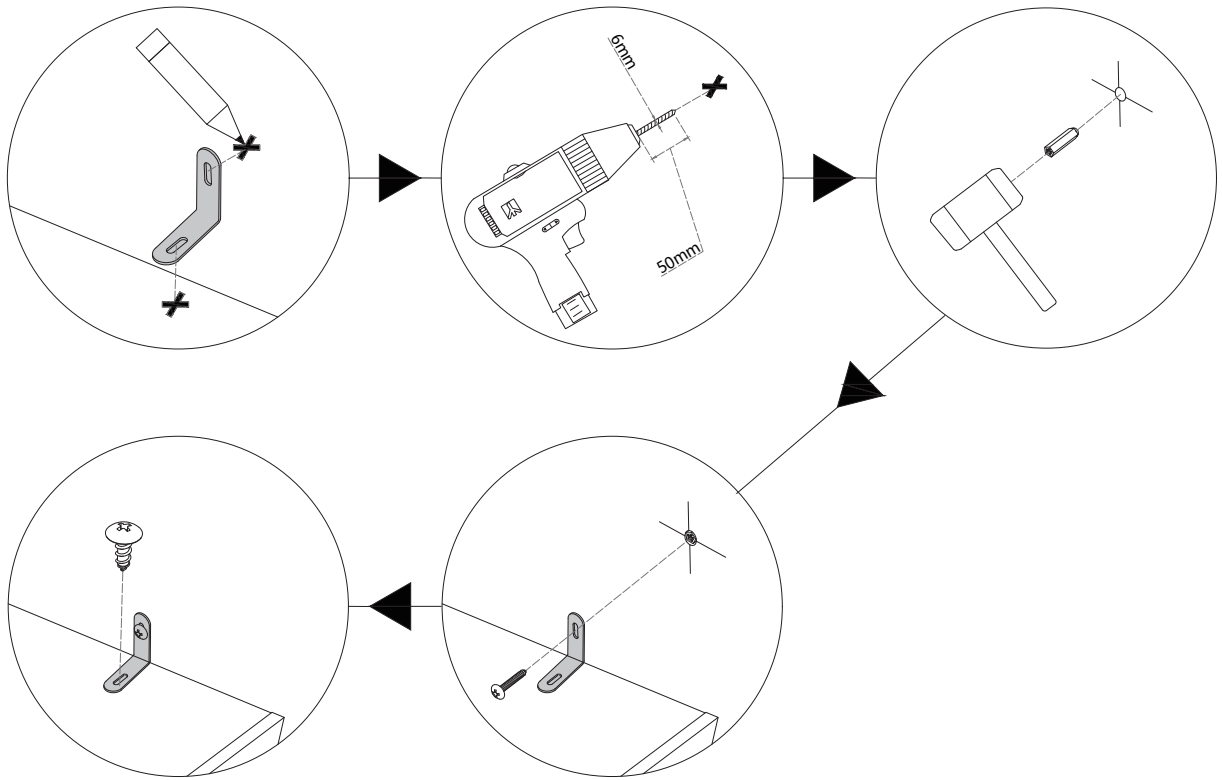
# STEP 16



Use C and M Reinforce the Board



# STEP 17



Attention: For safety and stability, we suggest you secure the anti-tip accessories to the wall to prevent tipping, injury, and property damage.

