

Madrid Outdoor Lounge Chair

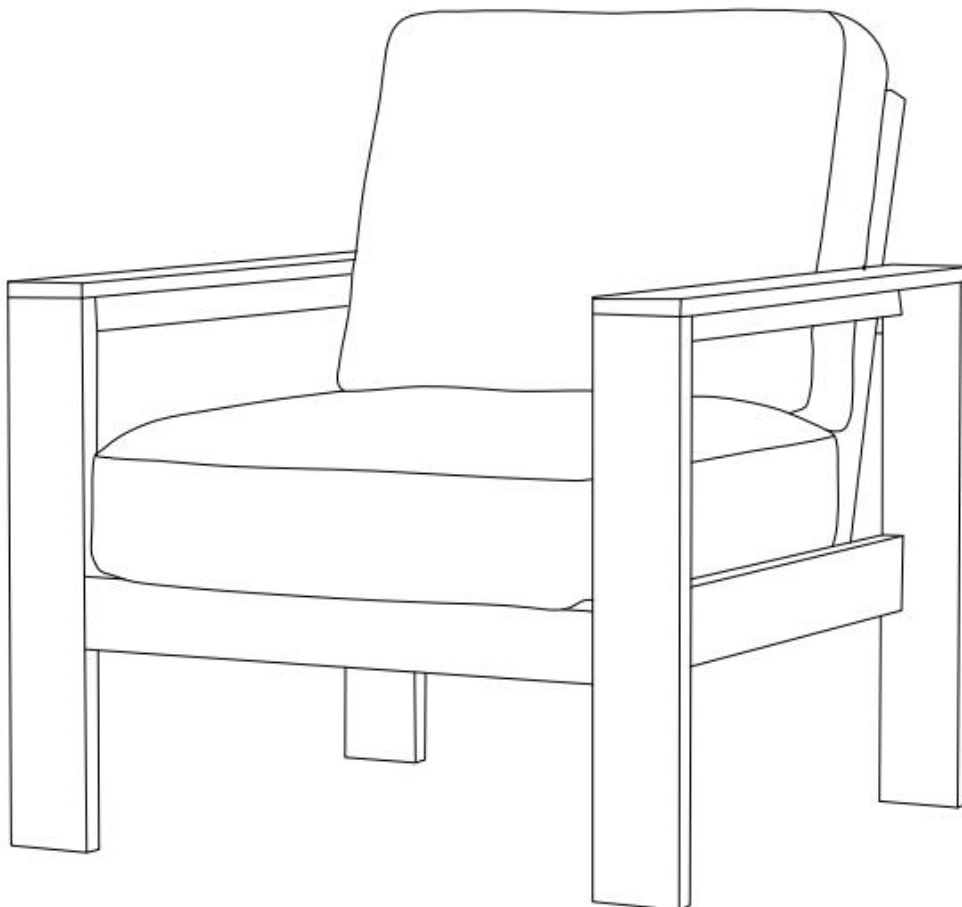
Your furniture requires assembly prior to use. It is important that you read the entire assembly instructions to become familiar with the unit before you set up this product.

Safety Warning and Precautions

WARNING: When setting up your furniture, basic precautions should always be followed to reduce risk of personal injury and damage to the product.






Read all instructions before assembly and usage this product.

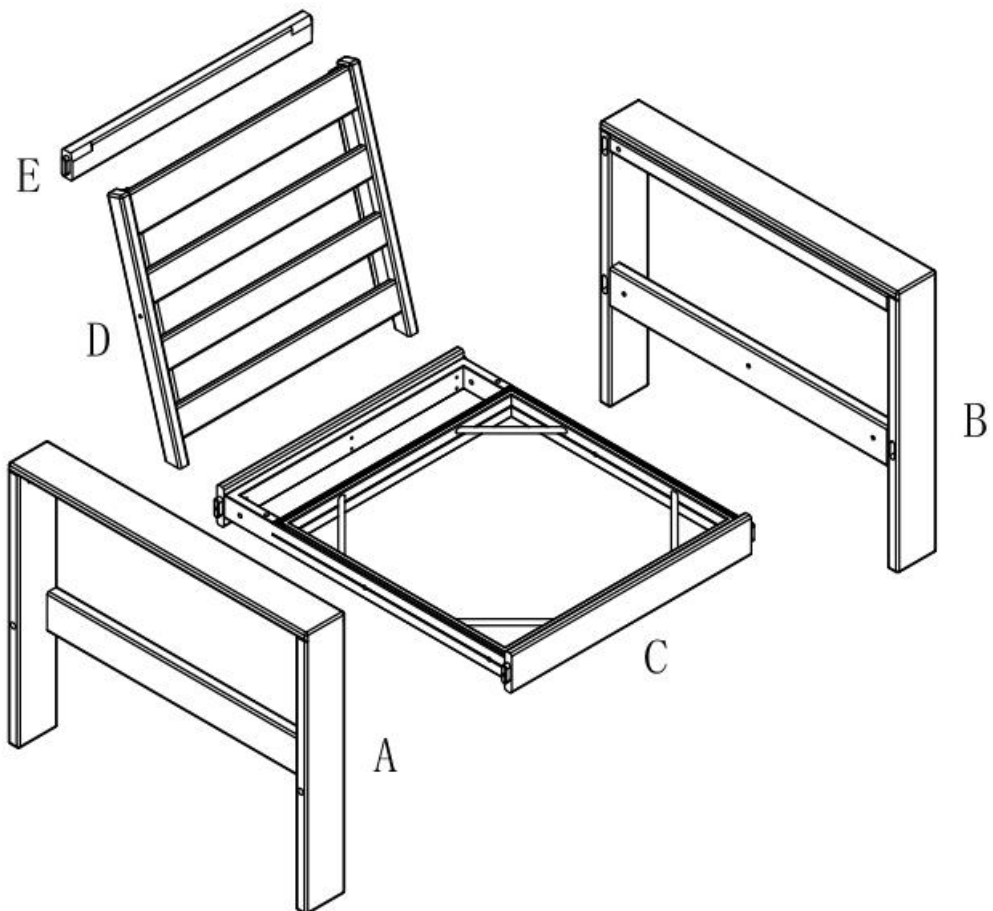
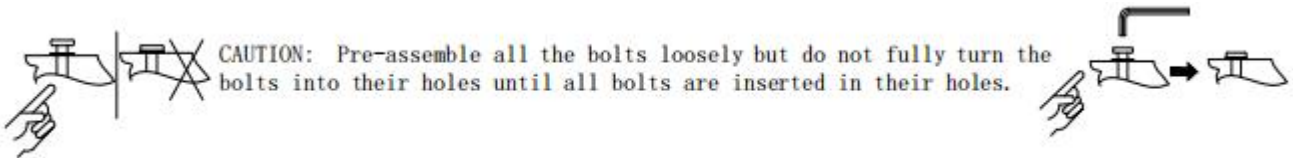
1. Select ideal location. Set out all parts on a clear and level surface prior to assembly. Ideally, the furniture should be set up in the desired location to avoid moving it after assembly.
2. Use caution. During all the processes of assembling, especially when lifting heavy or large parts, pay attention to safety.
3. Tools and Assistance. An adjustable spanner is required for assembly. It is recommended 2 people assist with assembly.
4. Check all parts before assembling, ensure you have all parts detailed in the parts list on Page 2.
5. Refer to assembly diagram. During assembly, refer to the assembly instructions on following pages.
6. Caution. Keep children away from work area during assembly. Do not allow children to handle parts or tools while assembling.



Madrid Outdoor Lounge Chair

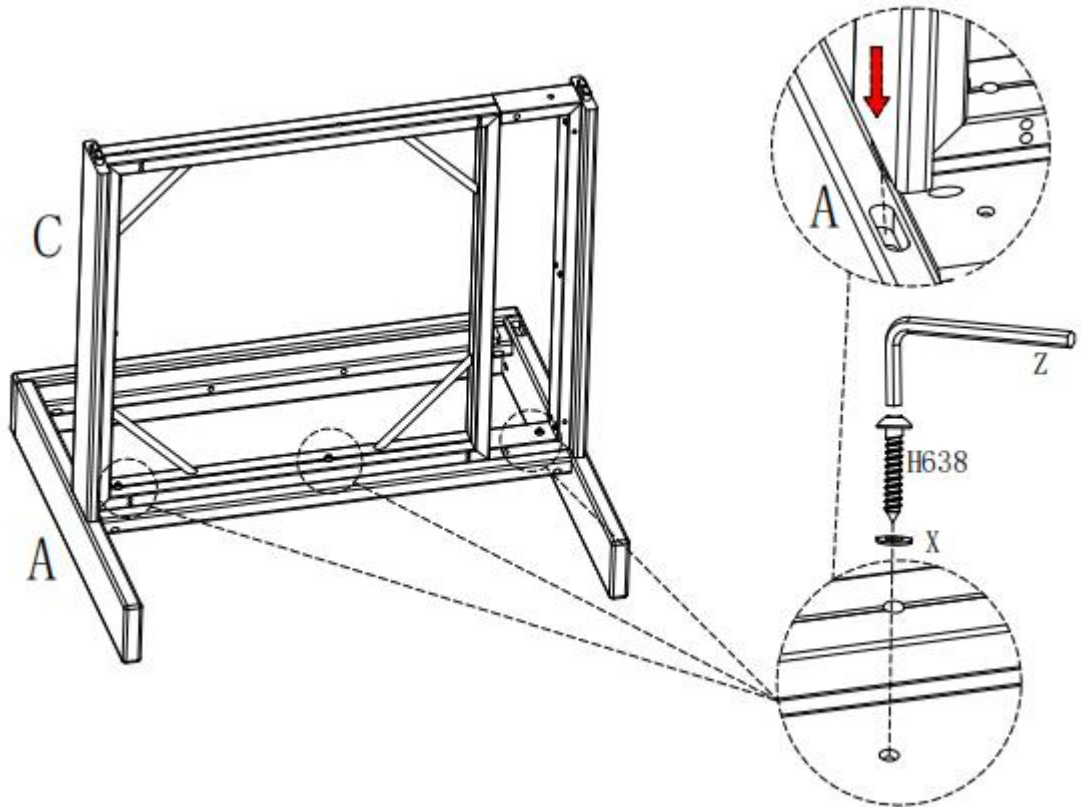
FITTINGS IDENTIFICATION

Part #	H638	H649	H685	X	Z
Description:	Screw M6*38	Screw M6*49	Screw M6*85	Washer	Allen Wrench
Figure:	 M6*38	 M6*49	 M6*85	 φ16*φ6.5*1.0	
Qty:	6PCS	2PCS	6PCS	8PCS	1PCS

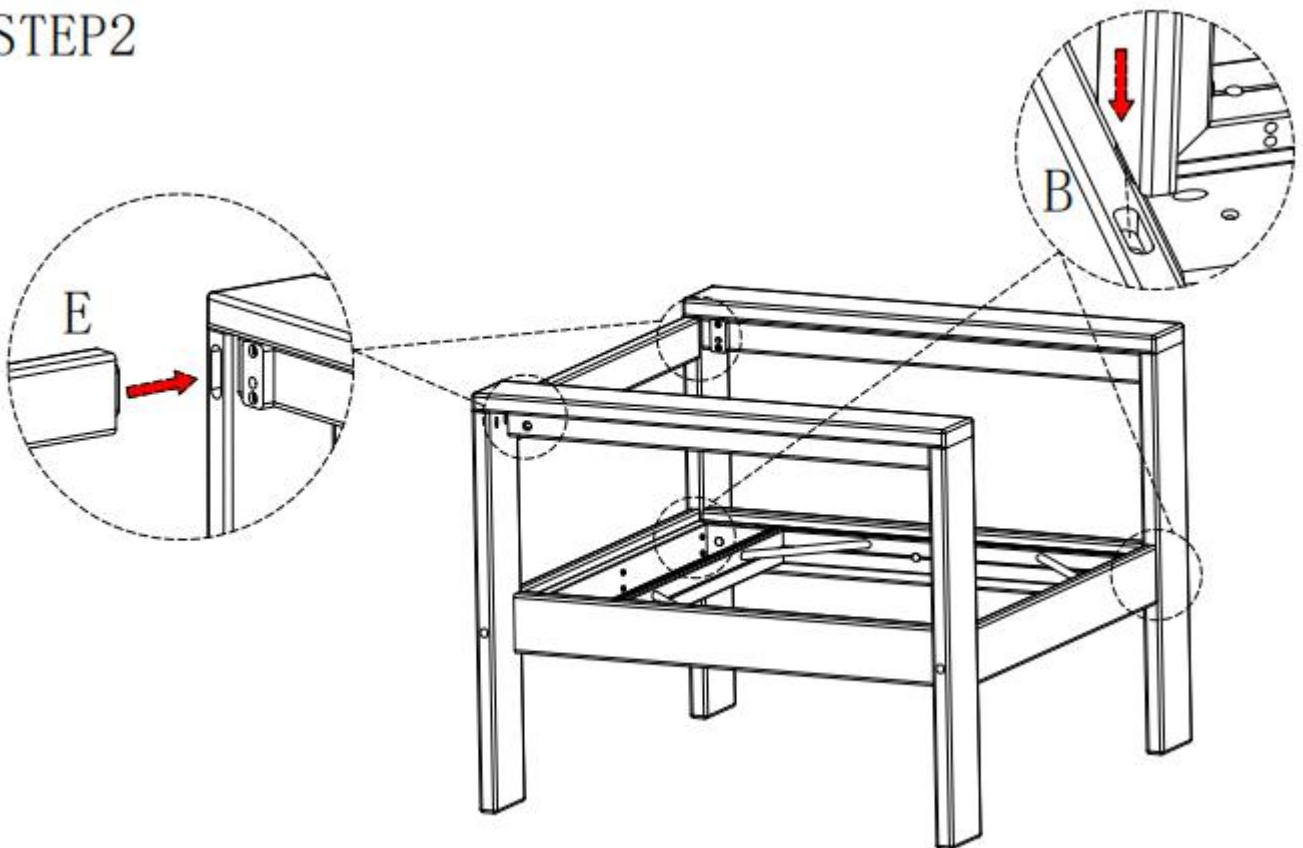


Madrid Outdoor Lounge Chair

STEP 1

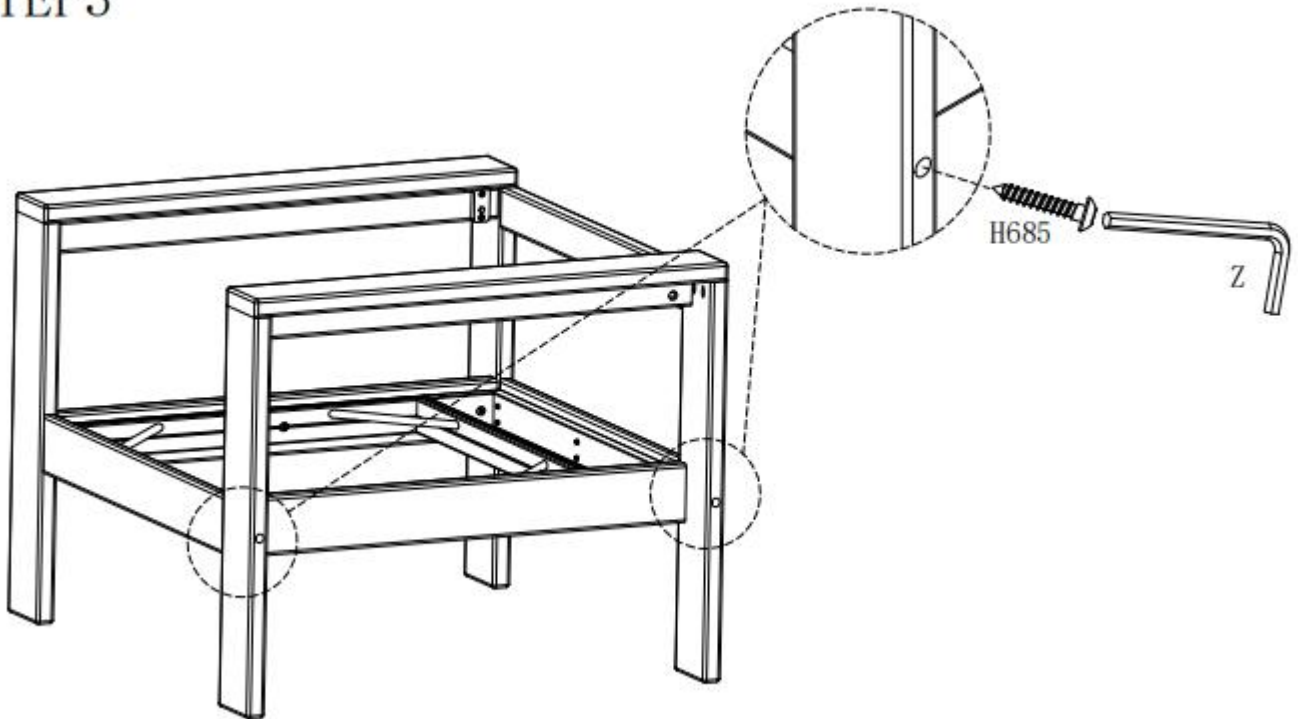


STEP 2

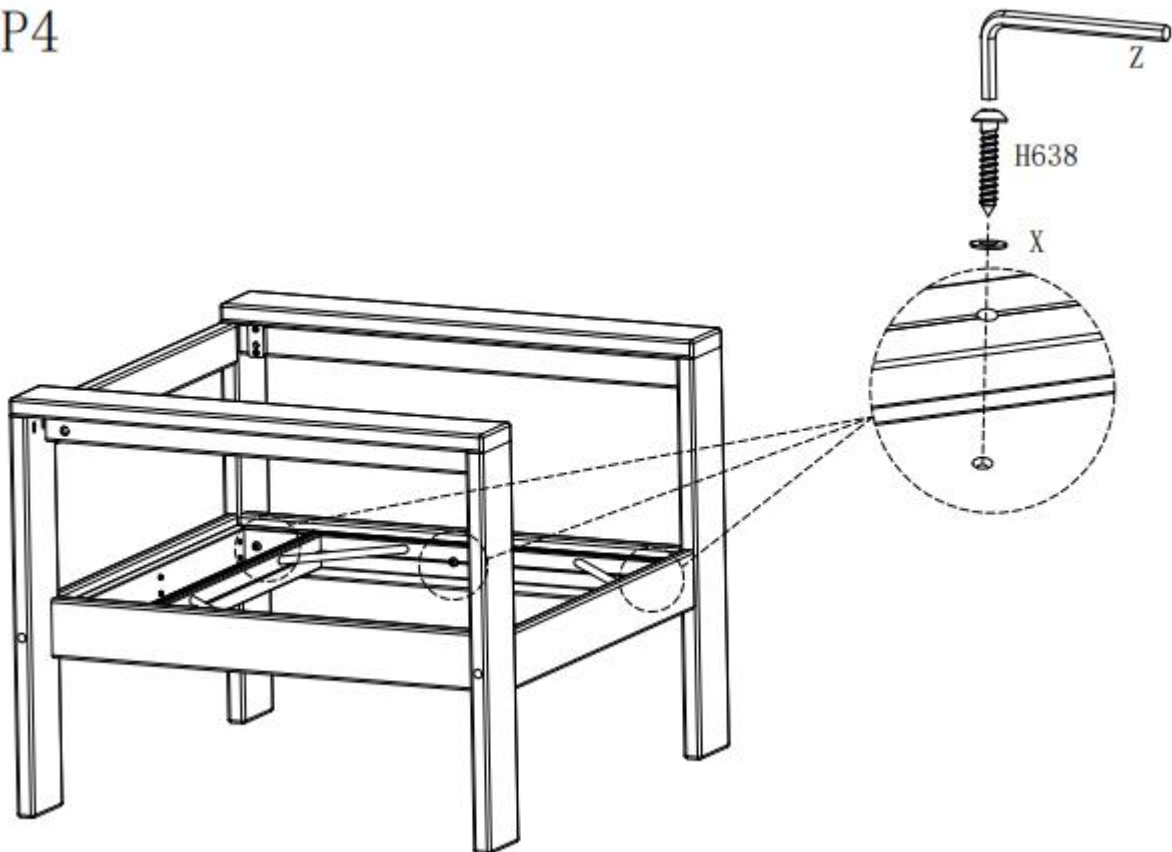


Madrid Outdoor Lounge Chair

STEP 3

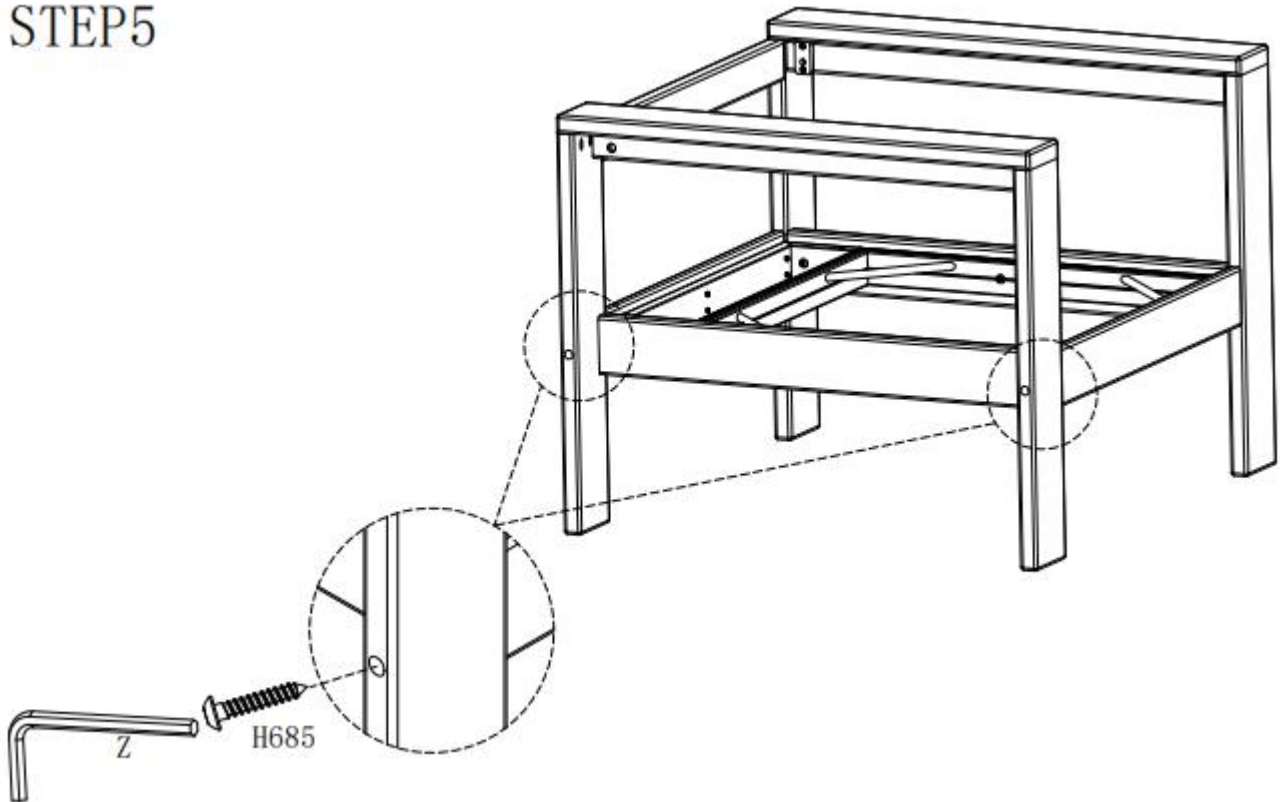


STEP 4

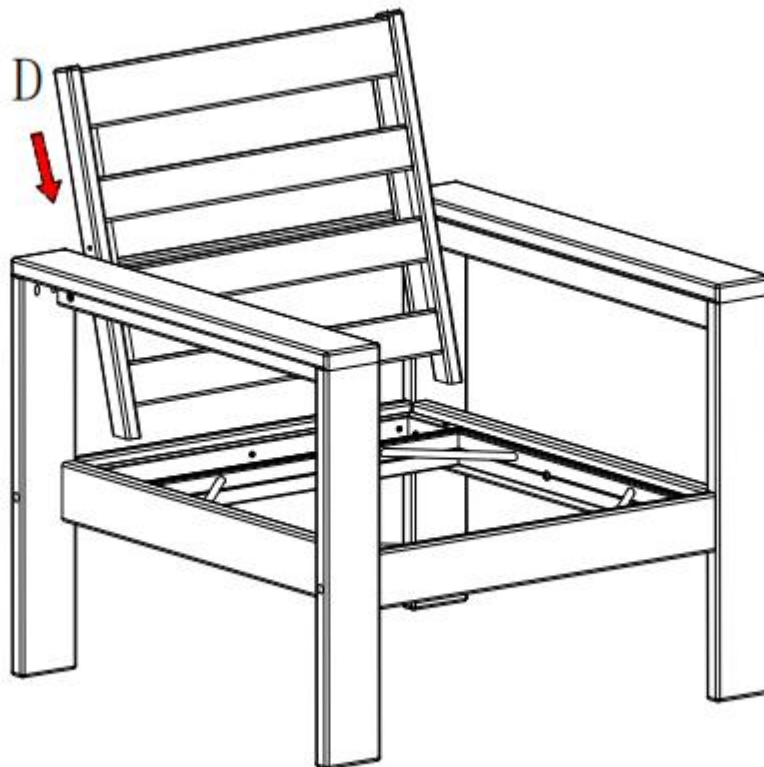


Madrid Outdoor Lounge Chair

STEP 5

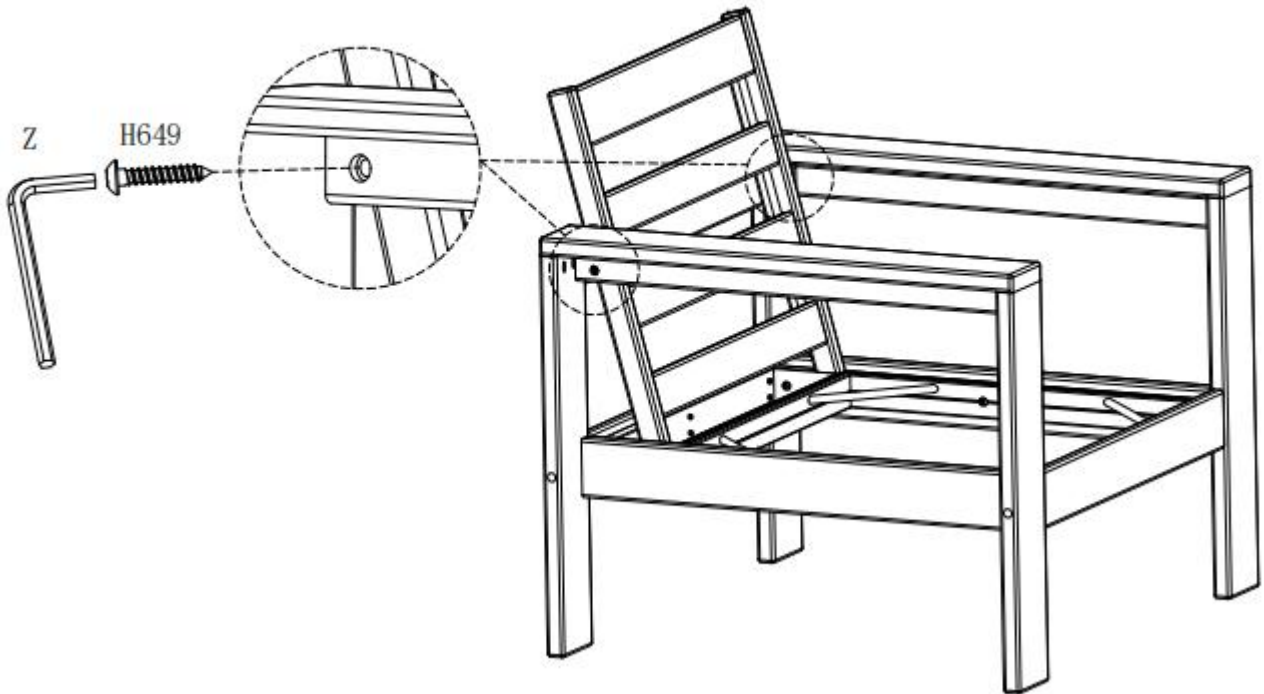


STEP 6

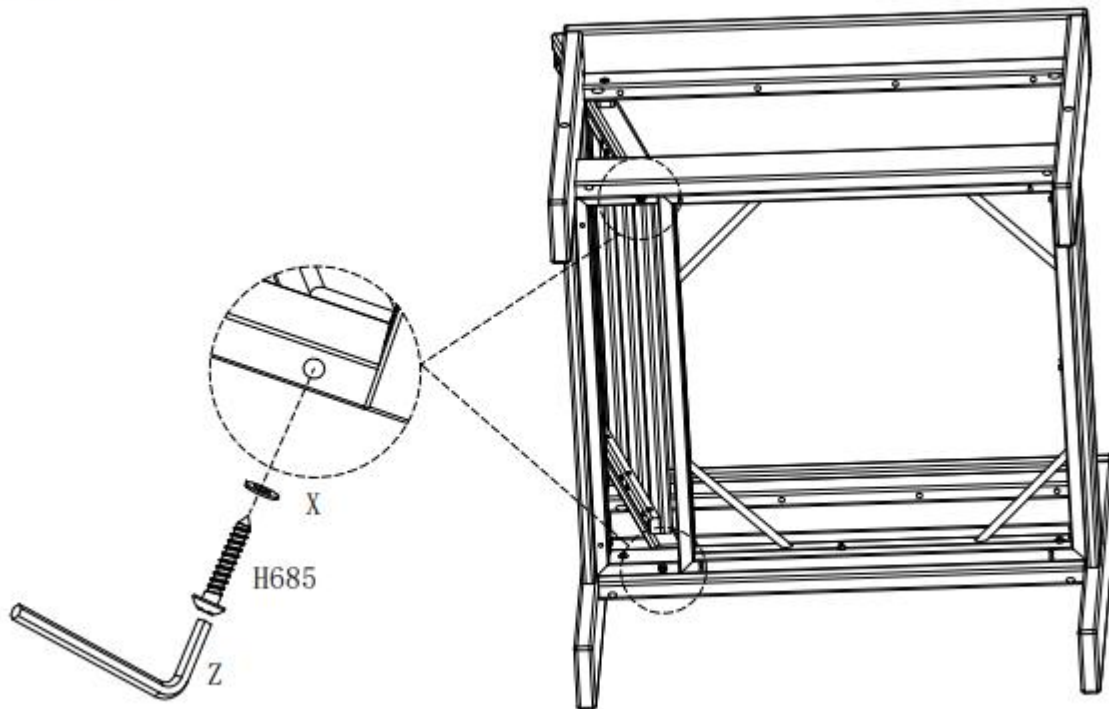


Madrid Outdoor Lounge Chair

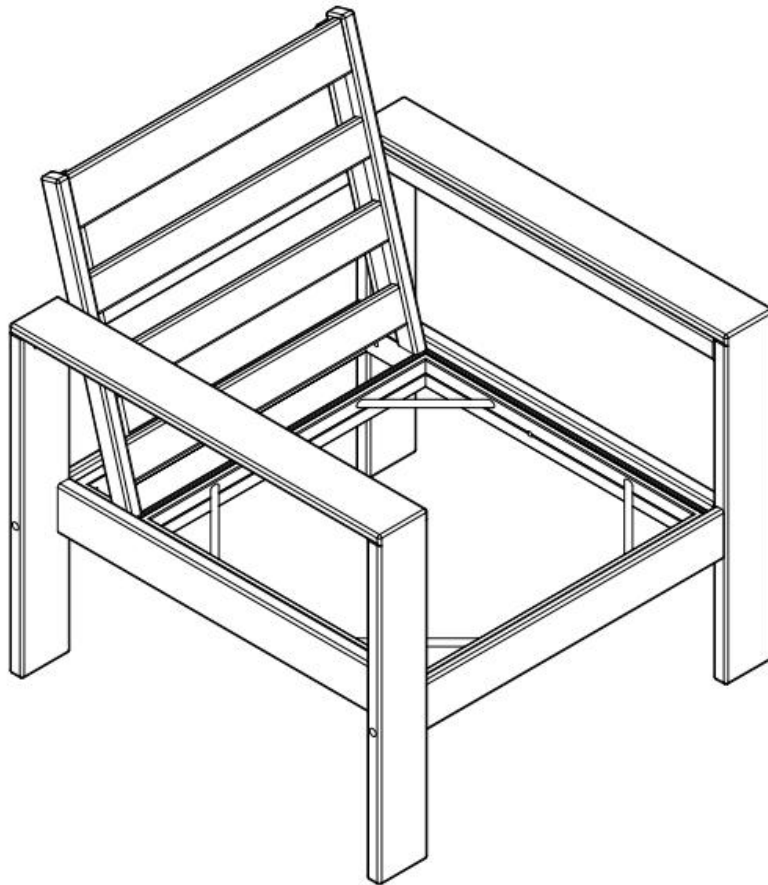
STEP 7



STEP 8



Madrid Outdoor Lounge Chair



Steps:

1. Attach the Part A to the Part C with Screw M6*38 (Part H638) and Washer (Part X) by using Allen Wrench (Part Z).
2. Put the Part B into the Part C . then Put the Part E into the Part A and B .
3. Fasten the Left armrest frame both side holes with Screws M6*85(Part H685) by using Allen Wrench (Part Z).
4. Fasten the left armrest frame inside three holes with Screw M6*38(Part H638) and Washer (Part X) by using Allen Wrench (Part Z).
5. Fasten the Right armrest frame both side holes with Screws M6*85(Part H685) by using Allen Wrench (Part Z).
6. Put the Part D into the Right & Left armrest Frames and seat Panel ,and then Fasten Screw M6*49(Part H649) by using Allen Wrench (Part Z).
7. Flip chair and Fasten the back panel and seat panel bottom holes with Screw M6*85(Part H685) and Washer (Part X) by using Allen Wrench (Part Z).

Tighten all screws. Your chair is ready to use. (Note: Pre-assemble all the bolts loosely but do not fully turn the bolts into their holes until all bolts are inserted in their holes.)

Periodically check and make sure that all screws are fully tightened.