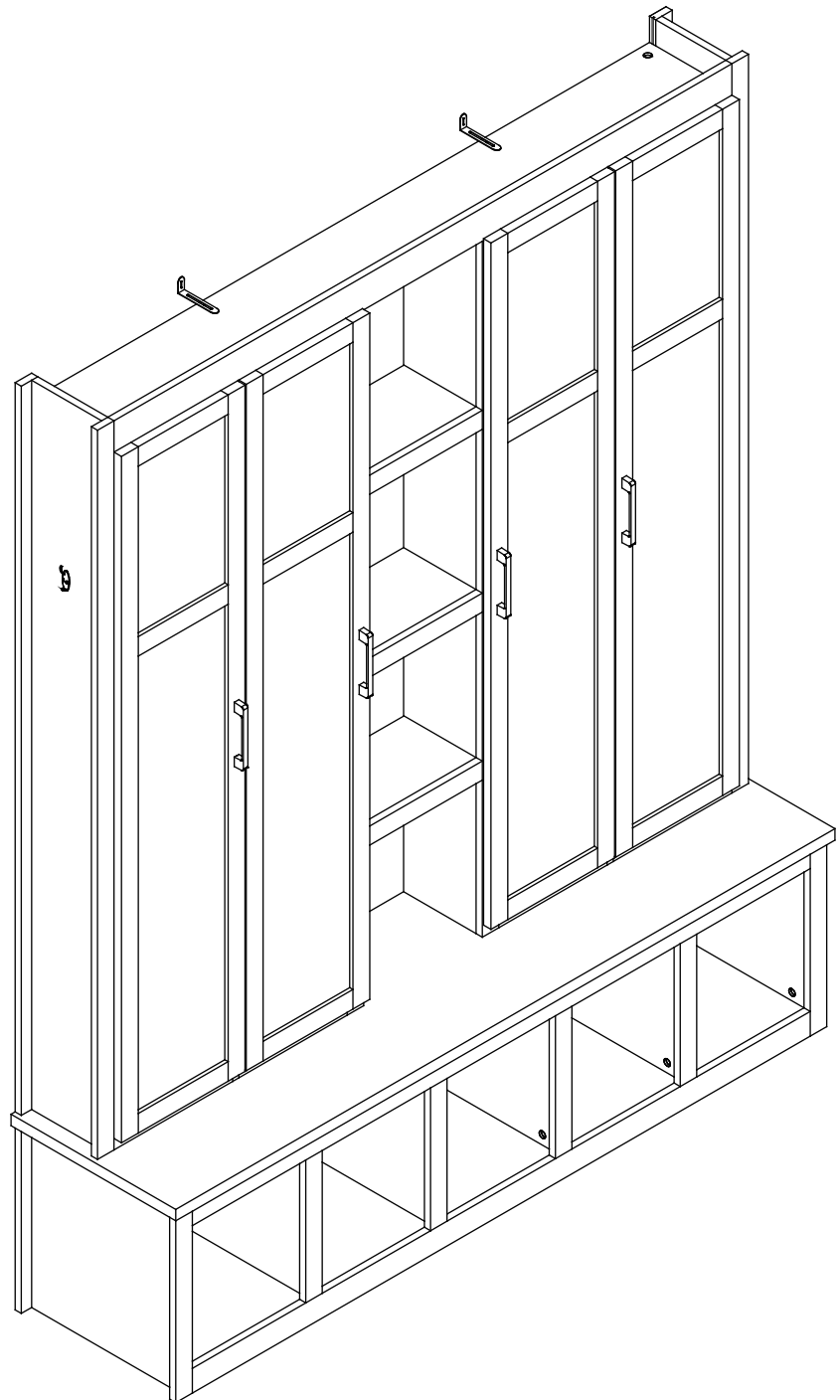


Hall Tree

Assembly Instructions - Please keep for future reference



Dimensions

Width- 63inch

Depth-15.75inch

Height-76.77inch

Important – Please read these instructions fully before starting assembly



Safety and Care Advice

Important – Please read these instructions fully before starting assembly

- Check you have all the components and tools listed on the following pages.
- Remove all fittings from the plastic bags and separate them into their groups.
- Keep children and animals away from the work area, small parts could choke if swallowed.
- Make sure you have enough space to layout the parts before starting.

- During assembly do not stand or put weight on the product, this could cause damage.
- Assemble the item as close to its final position (in the same room) as possible.
- Assemble on a soft level surface to avoid damaging the unit or your floor.
- Parts of the assembly will be easier with 2 people.



power drill is set on a low torque setting.

- To reduce the likelihood of damaging your product please ensure that your

Care and maintenance

- Only clean using a damp cloth and mild detergent, do not use bleach or abrasive cleaners.
- From time to time check that there are no loose screws on this unit.
- This product should not be discarded with household waste. Take to your local authority waste disposal centre.

Handy Hints

- Assemble all parts and bolts loosely during assembly, only once the product is complete should you fully tighten the bolts
- Regularly check and ensure That all bolts and fittings are tightened properly.

WARNING
In order to help prevent overturning – please follow these instructions

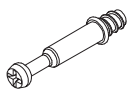


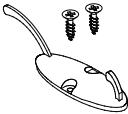

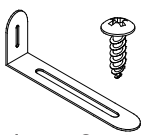

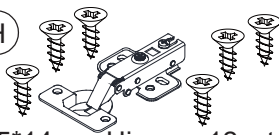
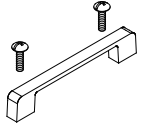
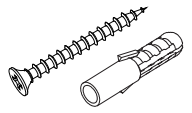
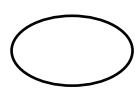
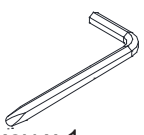
To help prevent product toppling over please follow the below steps:-

- Use the anti tip stap or wall fixing method provided (if applicable)
- Do not allow children to climb or hang on the furniture
- Do not open more than one drawer at a time
- Do not place heavy items in the top drawers
- Do not place heavy items on top of the furniture, unless the furniture has been designed for this purpose

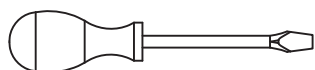
Components - Fittings

Please check you have all the panels listed below

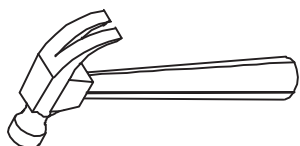
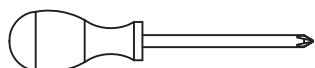
Note: The quantities below are the correct amount to complete the assembly. In some cases more fittings may be supplied than are required

<p>(A) </p> <p>Cam Bolt x 148+2</p>	<p>(B) </p> <p>6*30mm Dowel x 67+2</p>	<p>(C) </p> <p>Cam lock x 148+2</p>	<p>(D) </p> <p>3*14mm Hook x 6set</p>
<p>(E) </p> <p>6*50mm Dowel x 2</p>	<p>(F) </p> <p>Anti-tipping x 2set</p>	<p>(G) </p> <p>4*40mm Screw x 30+2</p>	<p>(H) </p> <p>3.5*14mm Hinge x 12set</p>
<p>(I) </p> <p>4*18mm Handle x 4set</p>	<p>(J) </p> <p>Expansion screws x 2set</p>	<p>(K) </p> <p>Perfect fit x 85</p>	<p>(L) </p> <p>Allen key x 1</p>

Tools required Not Included



Phillips screwdriver
(medium & large)



Using Camlocks

Step 1

Connect the male camlock as directed in the assembly instructions using a screwdriver.

1

DO NOT OVER TIGHTEN.
NE PAS SERRER EXCESSIVEMENT.



Step 2

Push the male camlock into the entry hole.

2

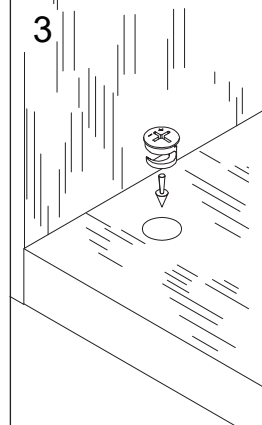


Step 3

Insert the female camlock as shown in the instruction.

Note: ensure that the arrow on the top of the camlock points towards the entry hole for the male camlock.

3



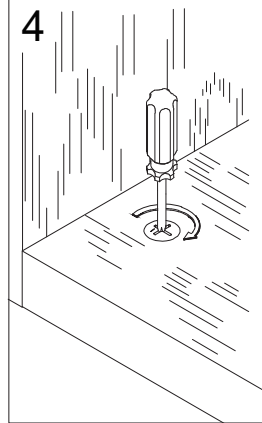
Step 4

Turn the female camlock clockwise with a screwdriver.

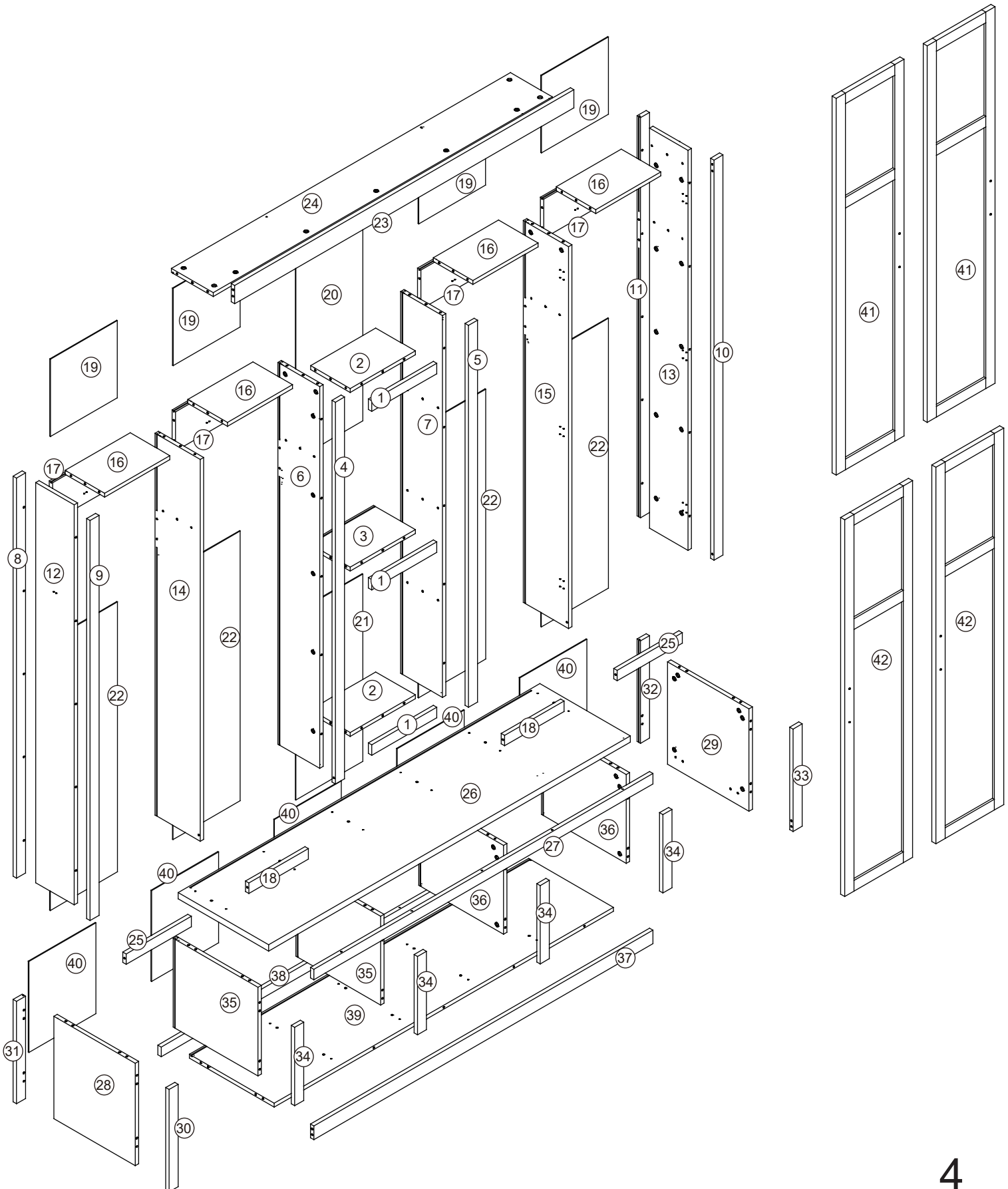
You should feel a click when the camlock is locked in place.

The joint is now secure.

4

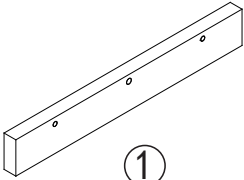
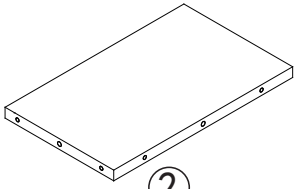
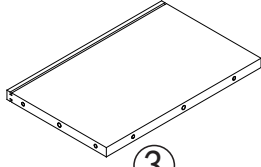






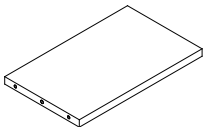
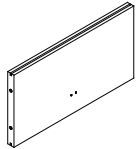
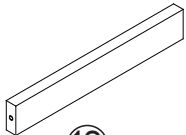
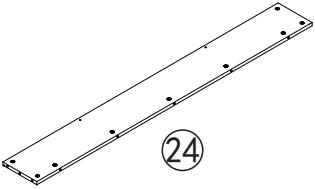
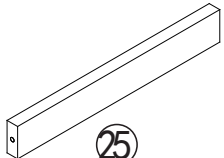



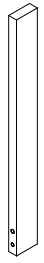



Assembly Instructions









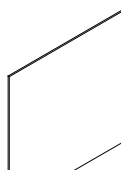


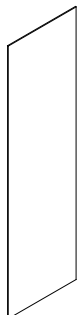
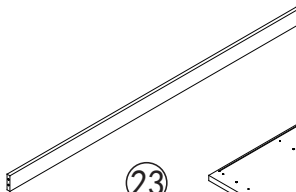
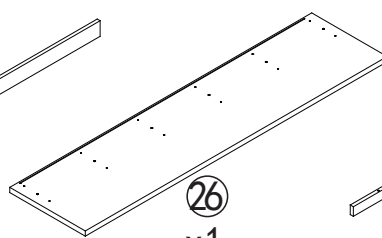
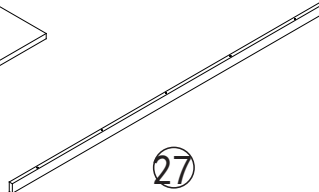
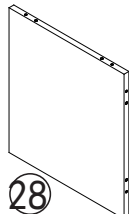
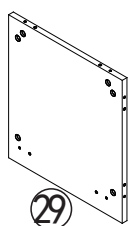
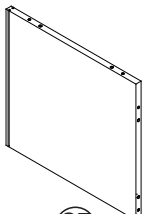
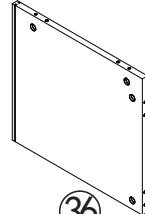
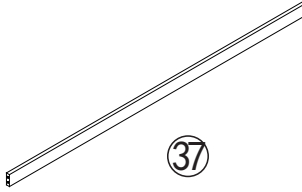
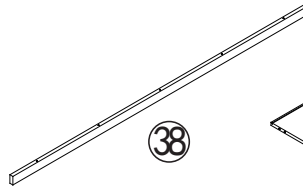
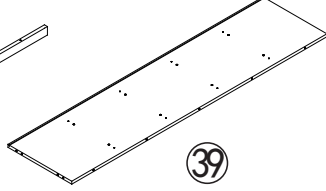
PART LIST

This product comes in 2 box.

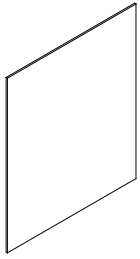
 ① x3 288x40x15mm	 ② x2 288x175x15mm	 ③ x1 288x185x15mm	 ⑥ x1 1462x185x15mm	
 ⑦ x1 1462x185x15mm	 ⑫ x1 1532x170x15mm	 ⑬ x1 1532x170x15mm	 ⑭ x1 1462x200x15mm	 ⑮ x1 1462x200x15mm
 ⑯ x4 288x175x15mm	 ⑰ x4 288x150x15mm	 ⑱ x2 263x40x15mm	 ⑳ x1 1500x185x15mm	 ㉕ x2 288x40x15mm
 ⑳ x1 392x40x15mm	 ㉑ x1 392x40x15mm	 ㉒ x1 392x40x15mm	 ㉓ x1 392x40x15mm	 ㉔ x4 300x40x15mm

PART LIST

This product comes in 2 box.

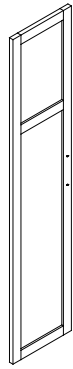
 ④ x1 1462x40x15mm	 ⑤ x1 1462x40x15mm	 ⑧ x1 1532x40x15mm	 ⑨ x1 1532x40x15mm	 ⑩ x1 1532x40x15mm
 ⑪ x1 1532x40x15mm	 ⑲ x4 296x296x3mm	 ⑳ x1 720x296x3mm	 ㉑ x1 747x296x3mm	 ㉒ x4 1033x297x3mm
 ⑳ x1 1500x70x15mm	 ㉔ x1 1600x400x24mm	 ㉕ x1 1500x40x15mm	 ㉘ x1 392x360x15mm	 ㉙ x1 392x360x15mm
 ㉚ x2 375x340x15mm	 ㉛ x2 375x340x15mm	 ㉜ x1 1500x52x15mm	 ㉝ x1 1500x37x15mm	 ㉞ x1 1500x375x15mm

PART LIST



④

x5
348x296x3mm



④

x2
1442x300x18mm



④

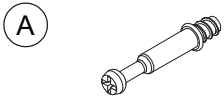
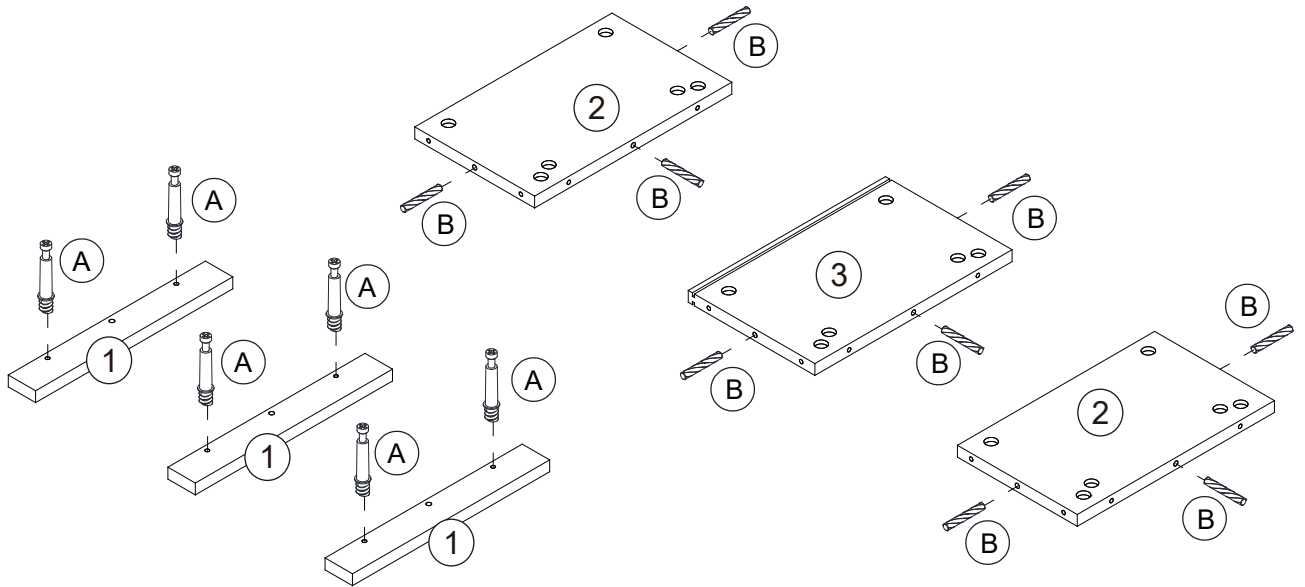
x2
1442x300x18mm



Hardware kit x1

Assembly Instructions

Step 1

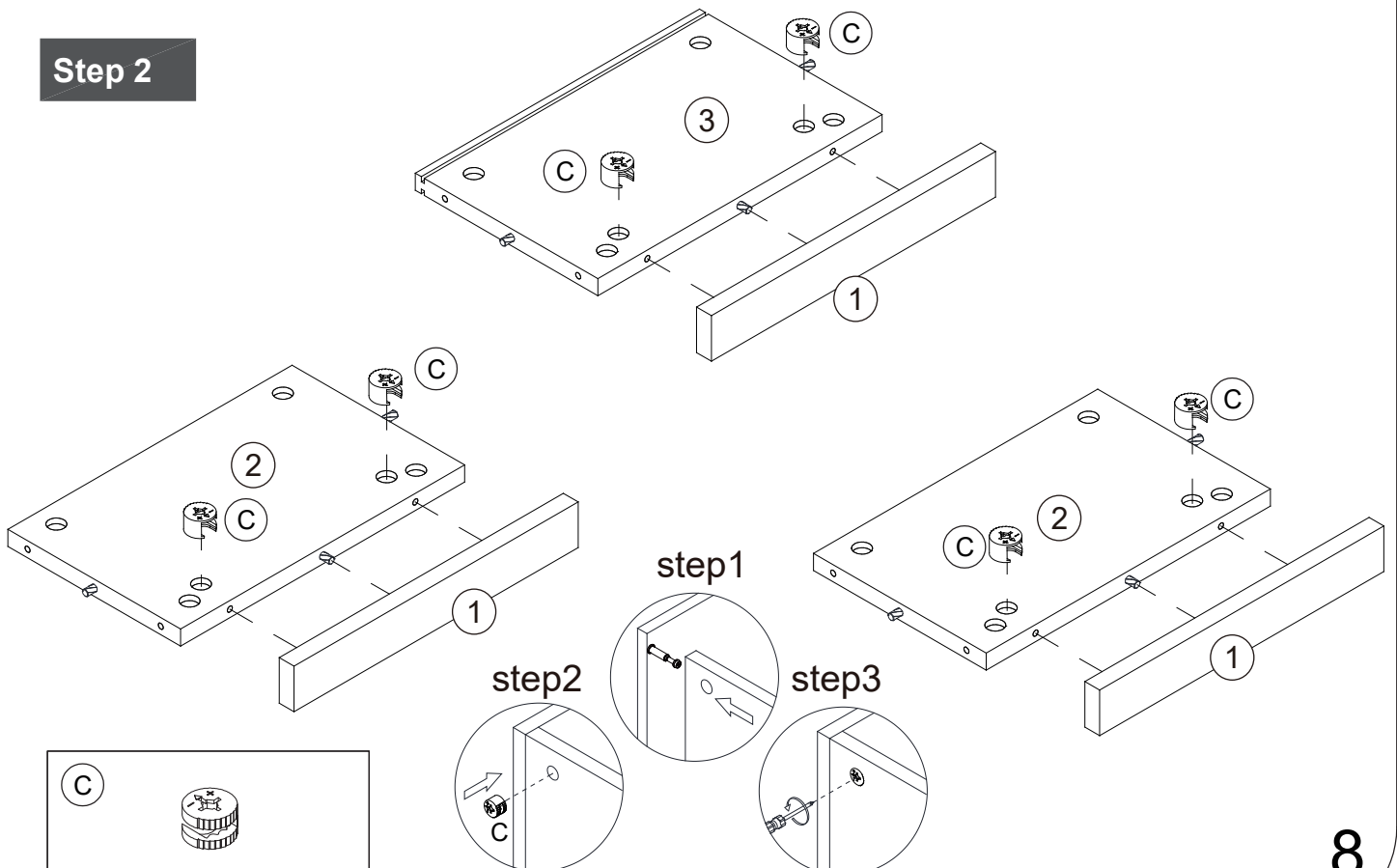


Cam Bolt x 6



6*30mm Dowel x 9

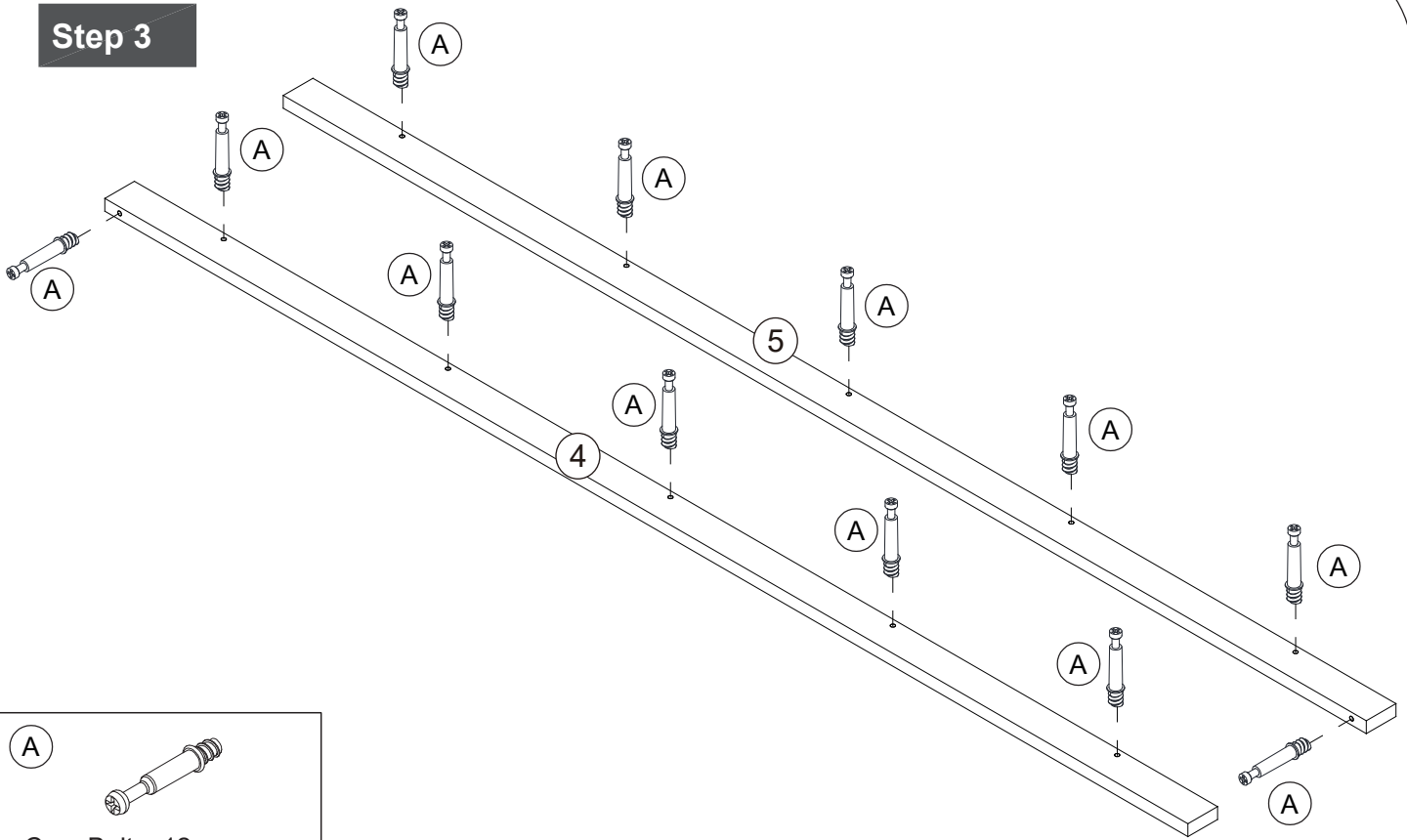
Step 2



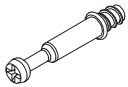
Cam lock x 6

Assembly Instructions

Step 3

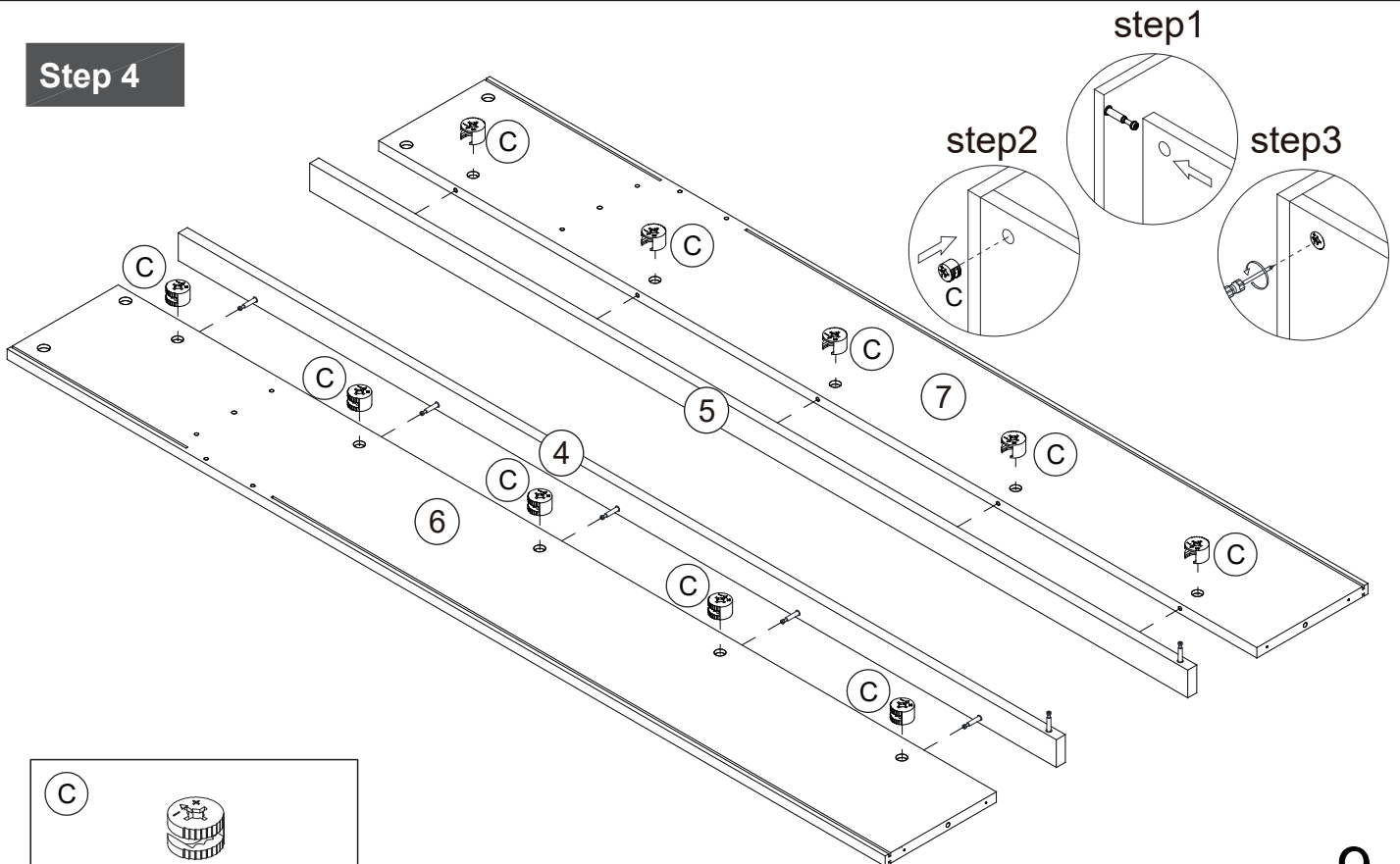


A



Cam Bolt x 12

Step 4



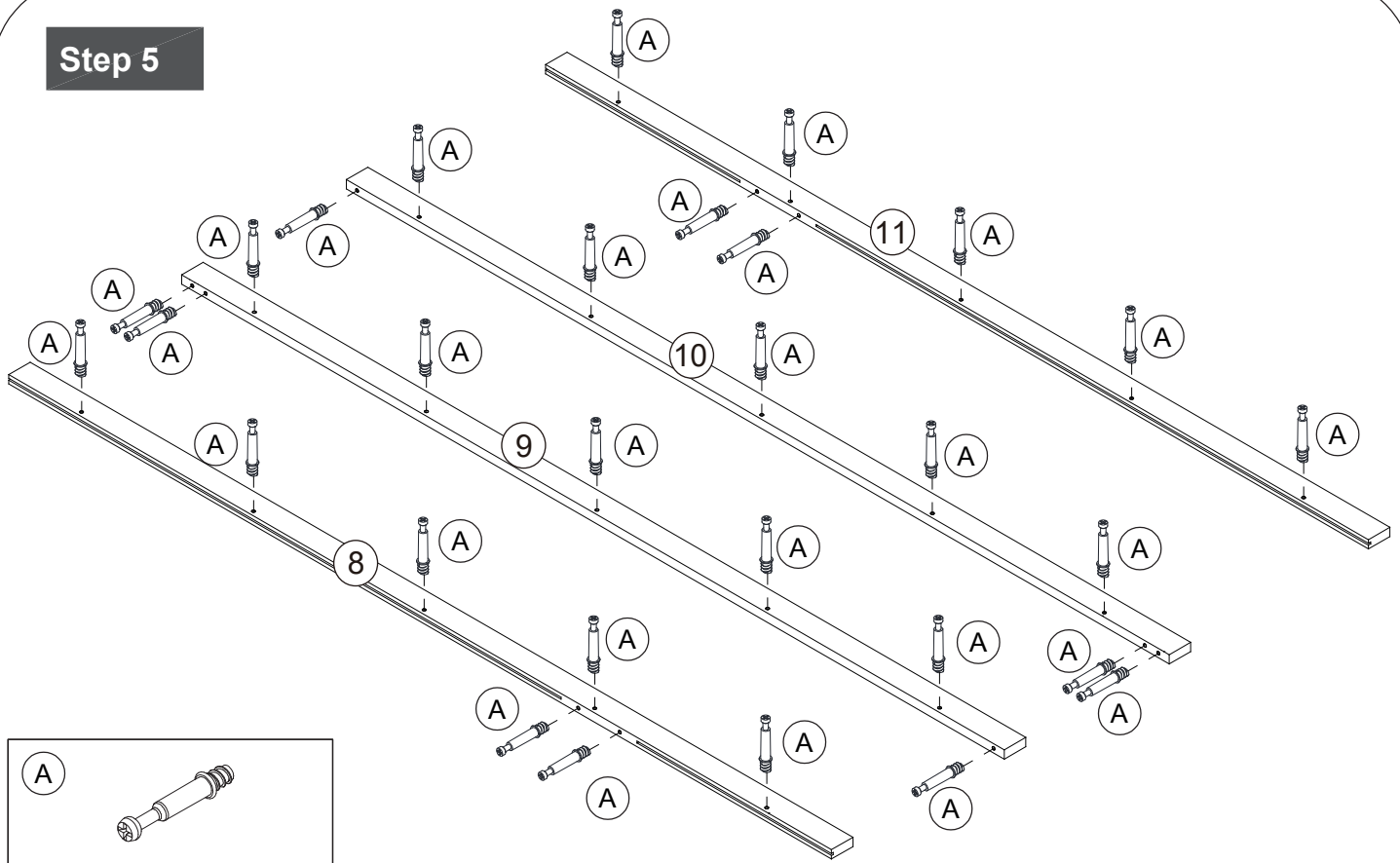
C



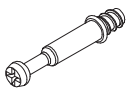
Cam lock x 10

Assembly Instructions

Step 5

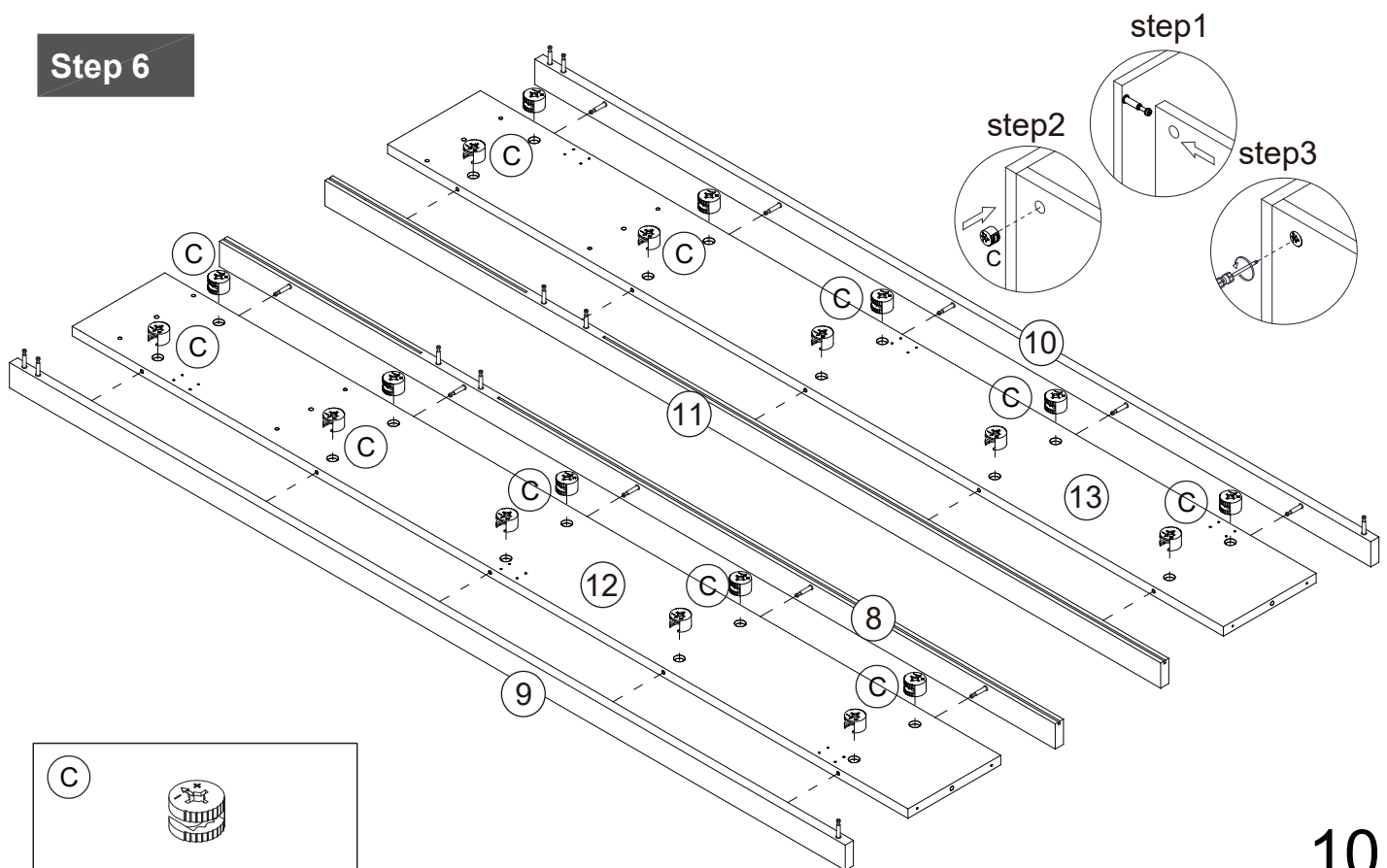


A



Cam Bolt x 30

Step 6



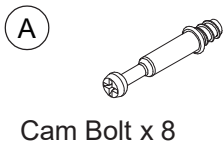
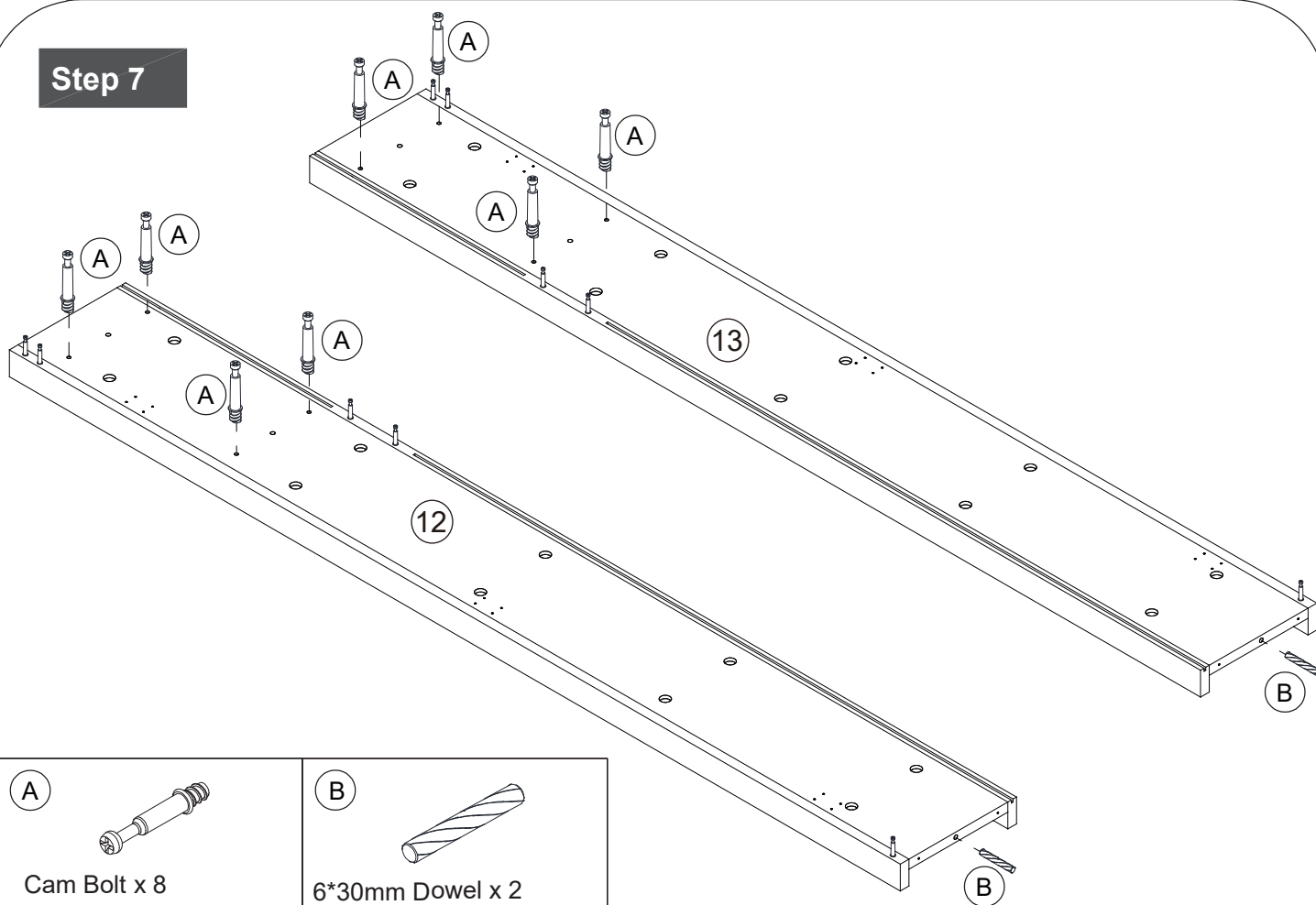
C



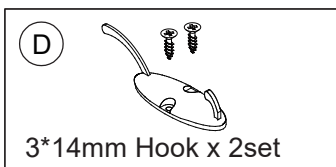
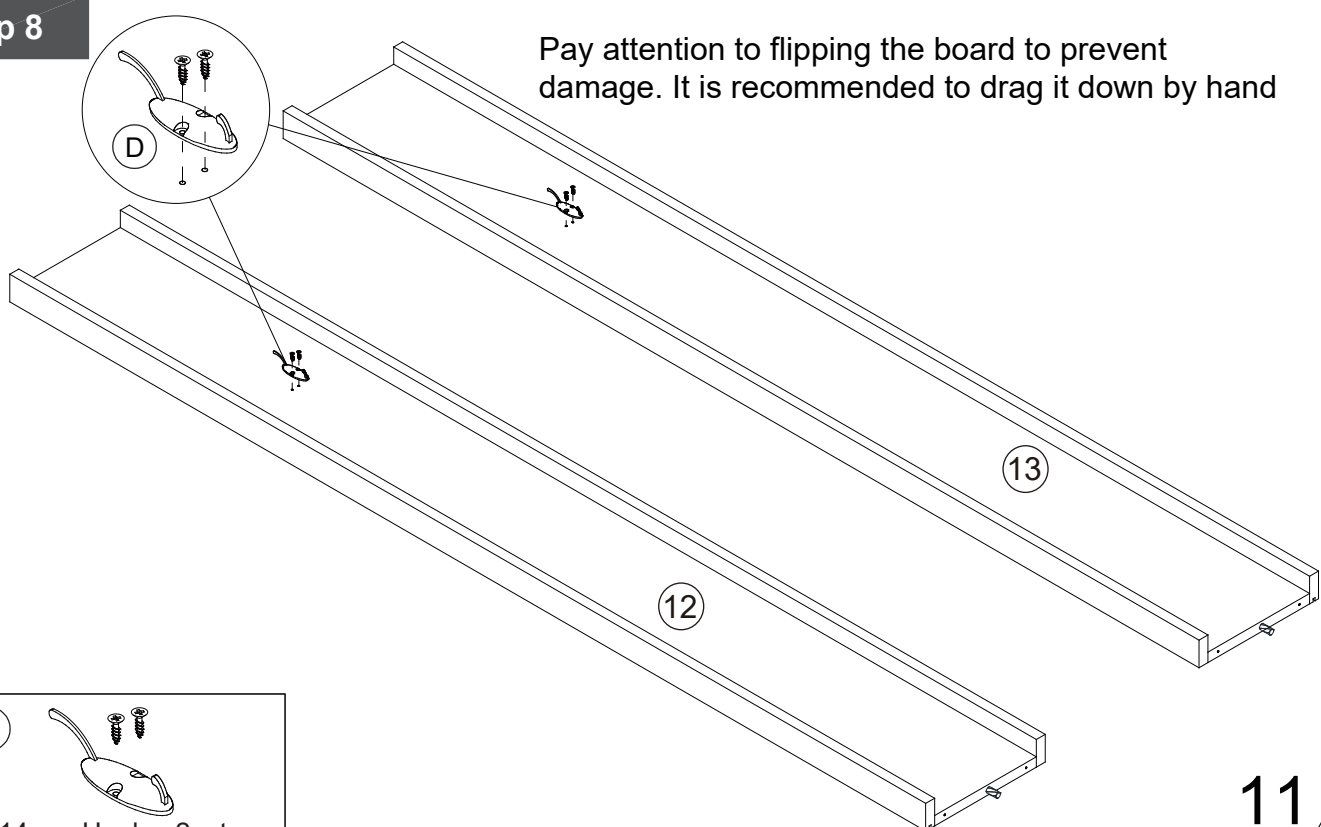
Cam lock x 20

Assembly Instructions

Step 7

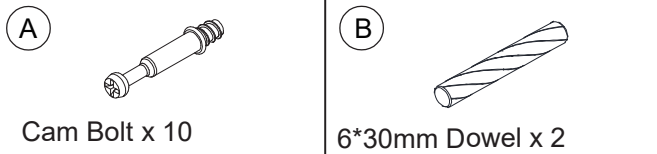
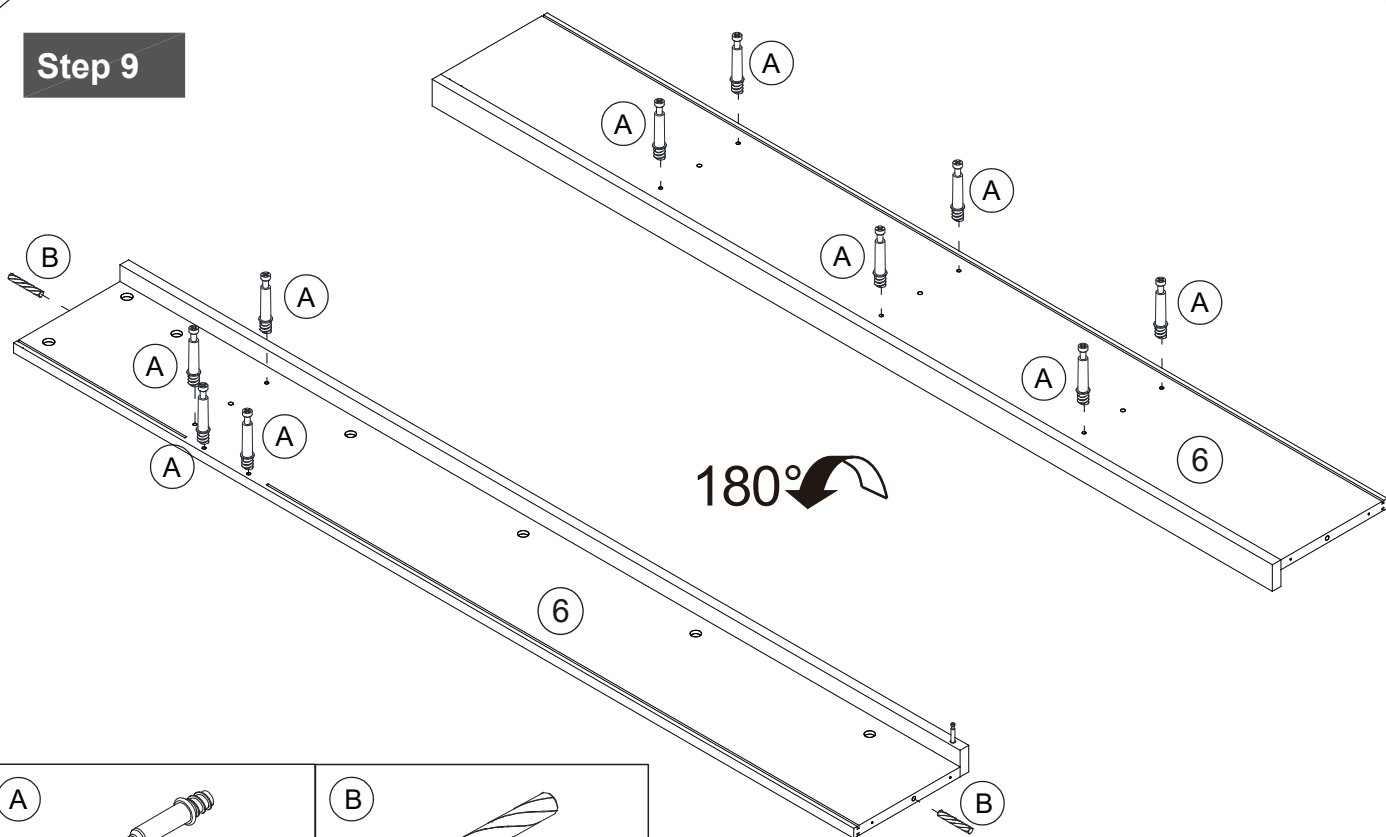


Step 8

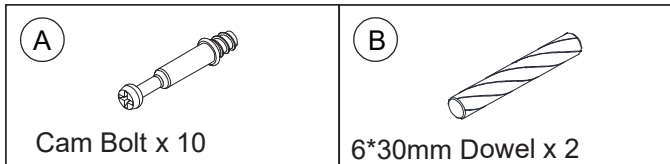
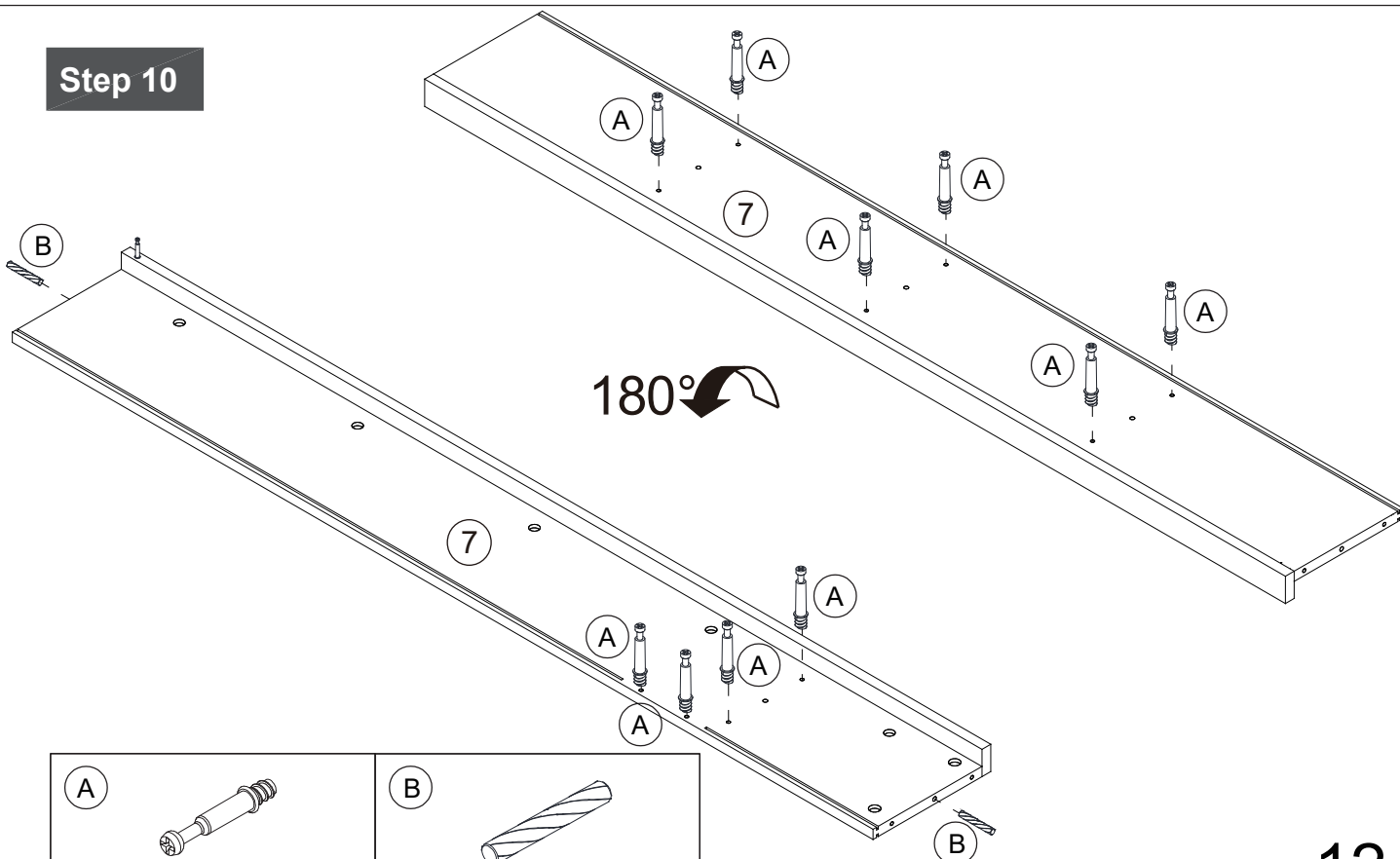


Assembly Instructions

Step 9

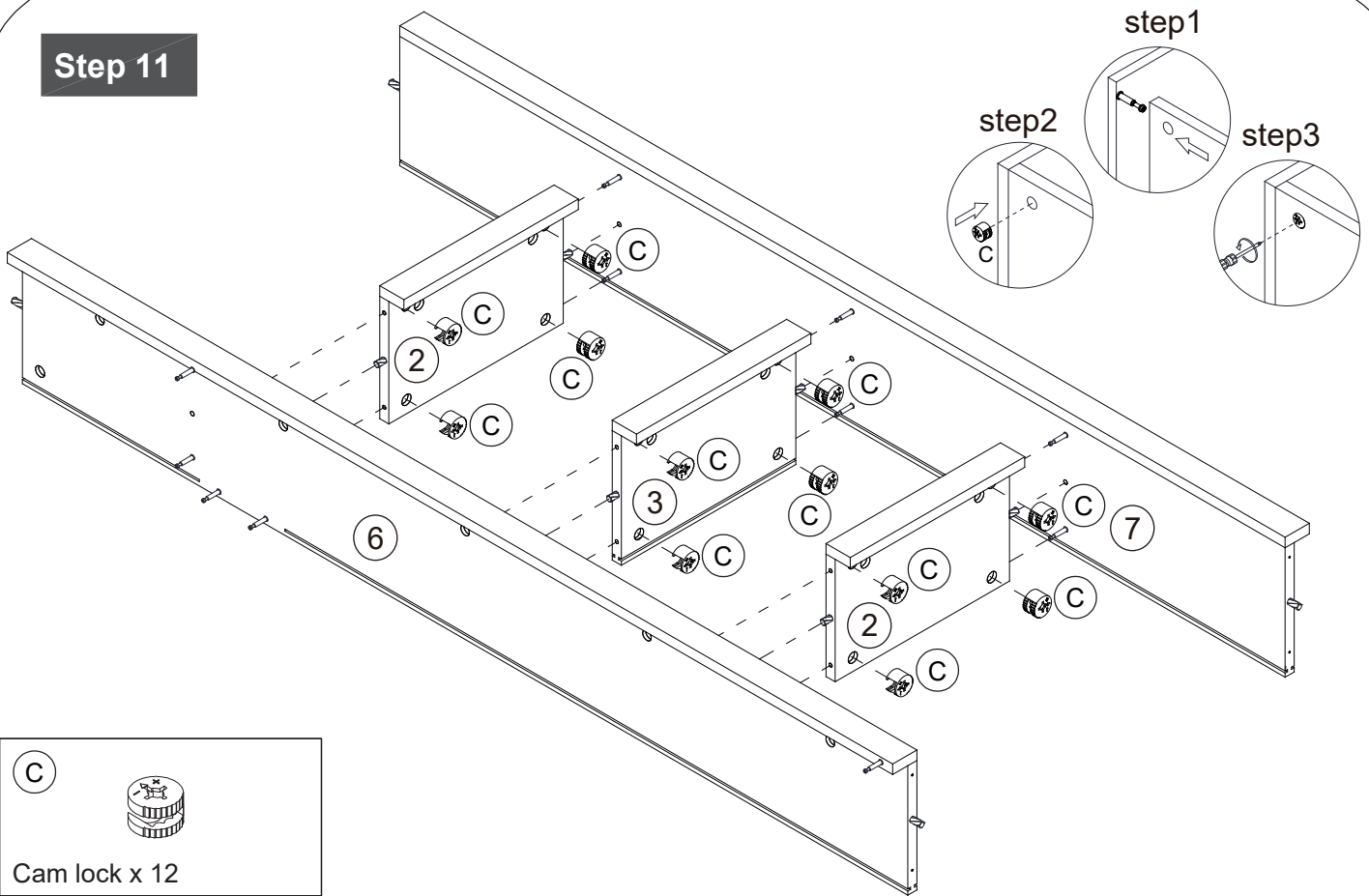


Step 10

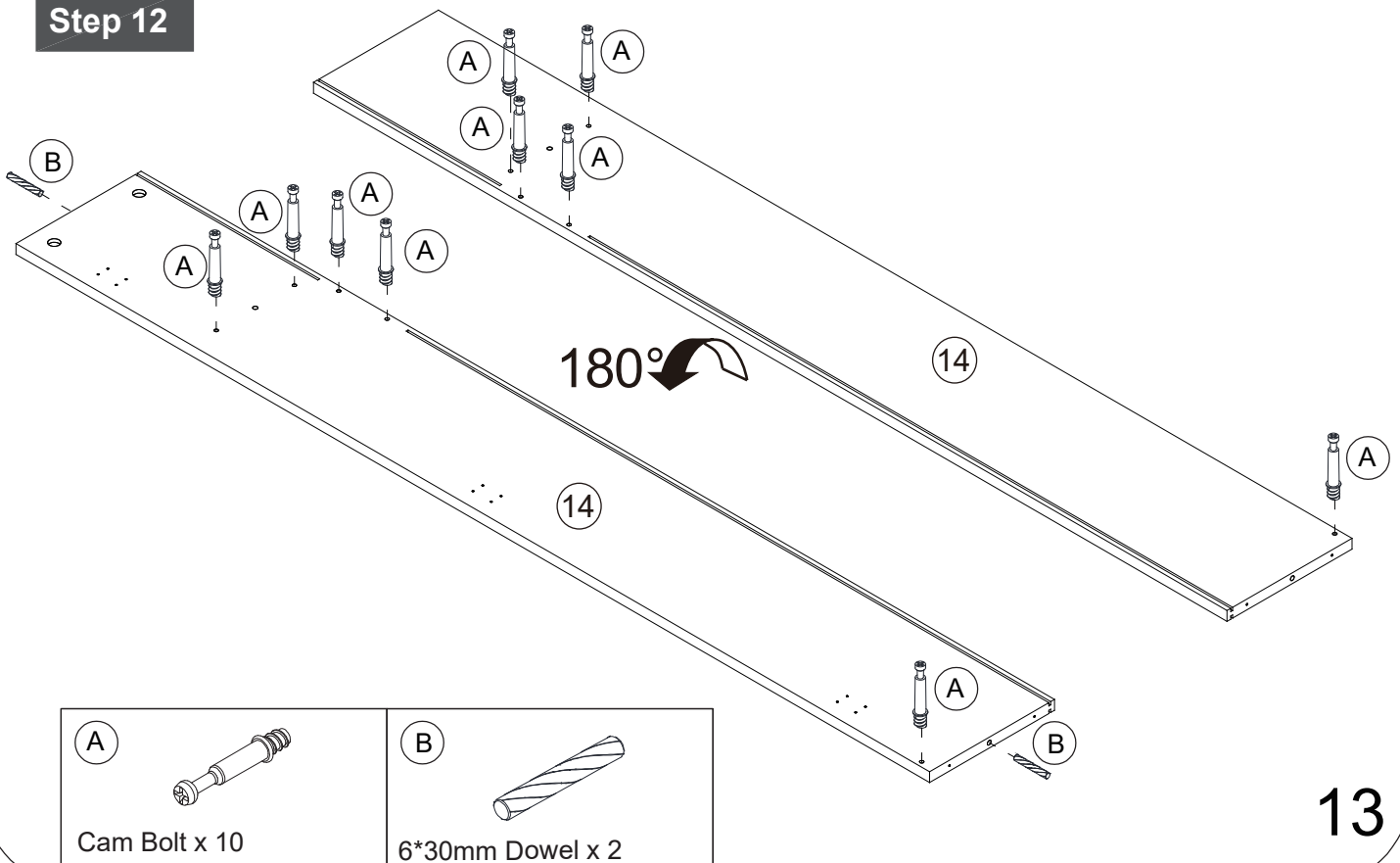


Assembly Instructions

Step 11

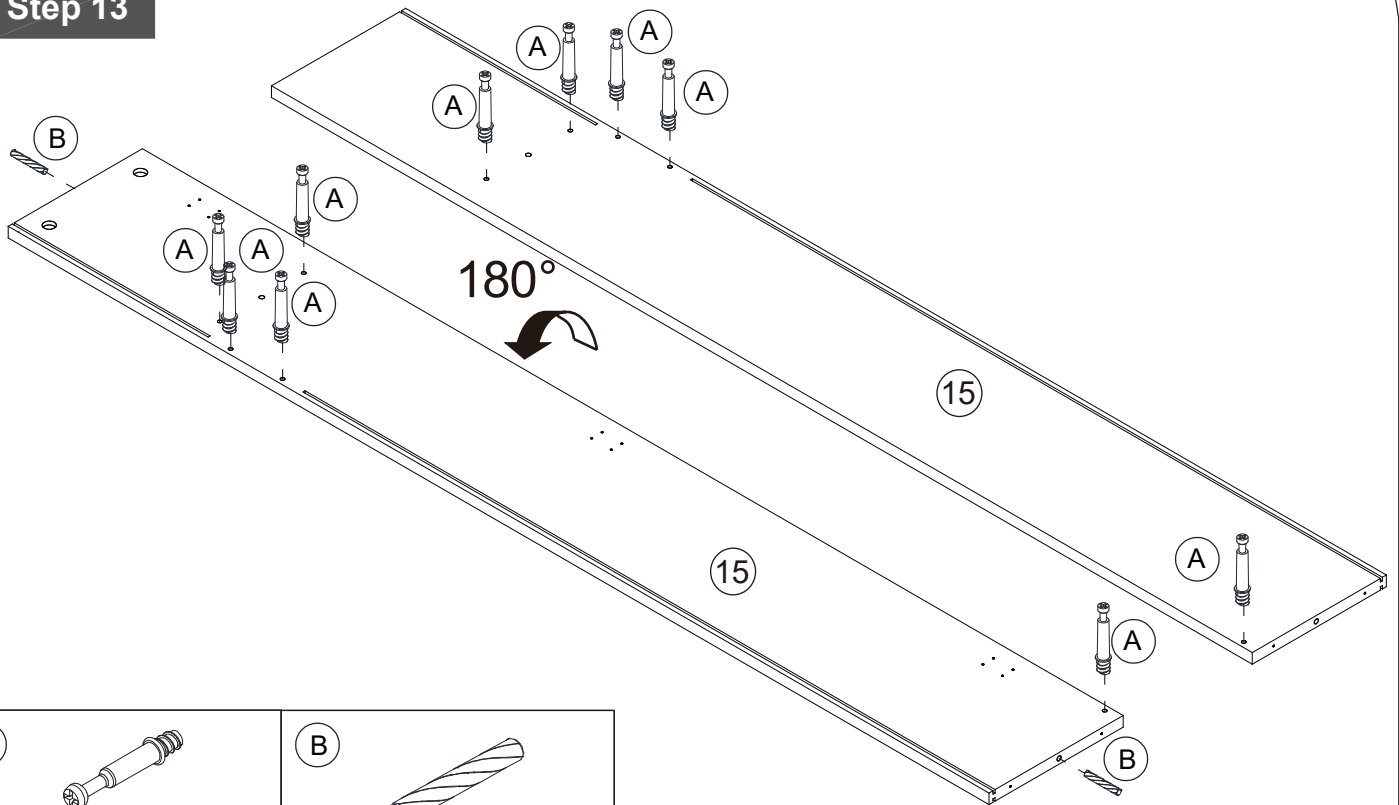


Step 12

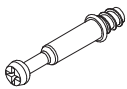


Assembly Instructions

Step 13

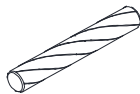


A



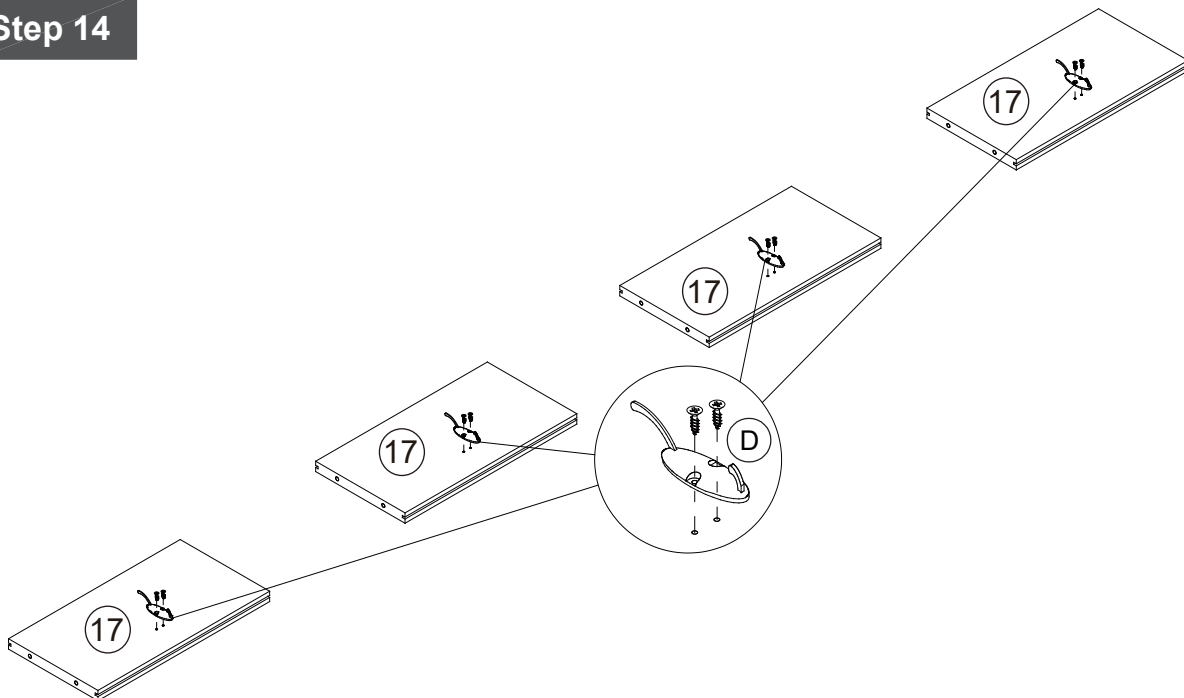
Cam Bolt x 10

B

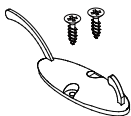


6*30mm Dowel x 2

Step 14



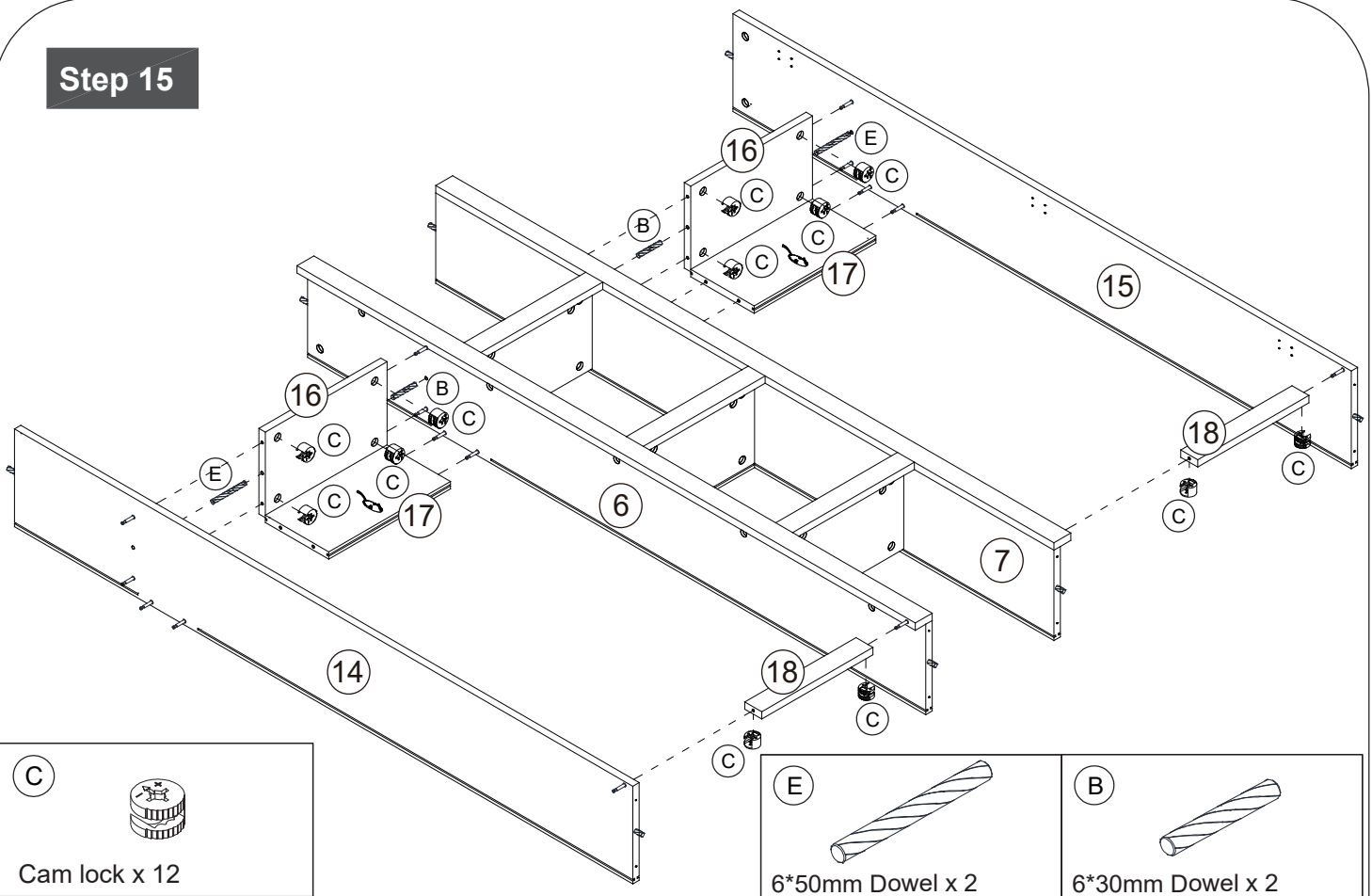
D



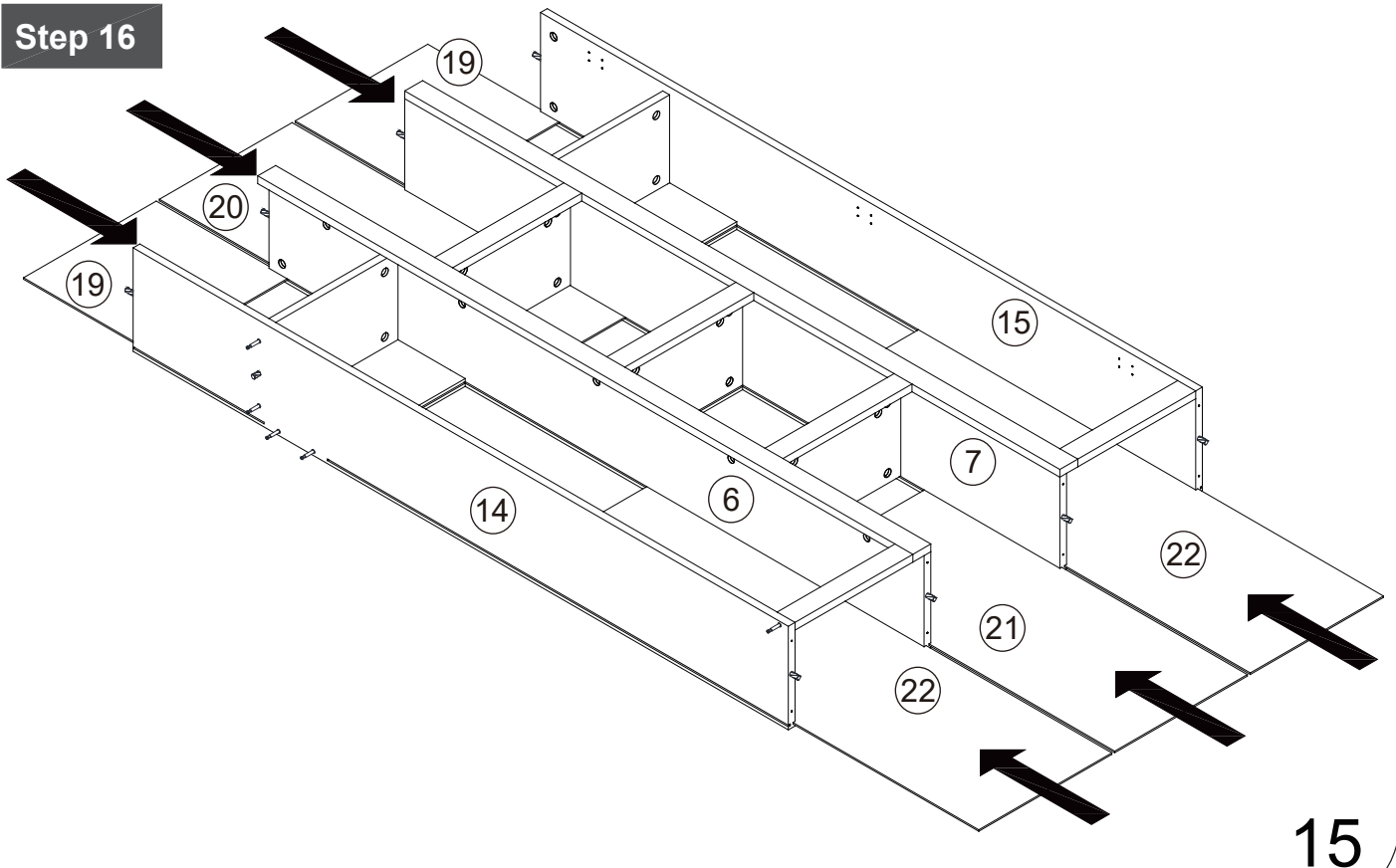
3*14mm Hook x 4set

Assembly Instructions

Step 15

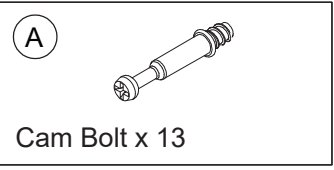
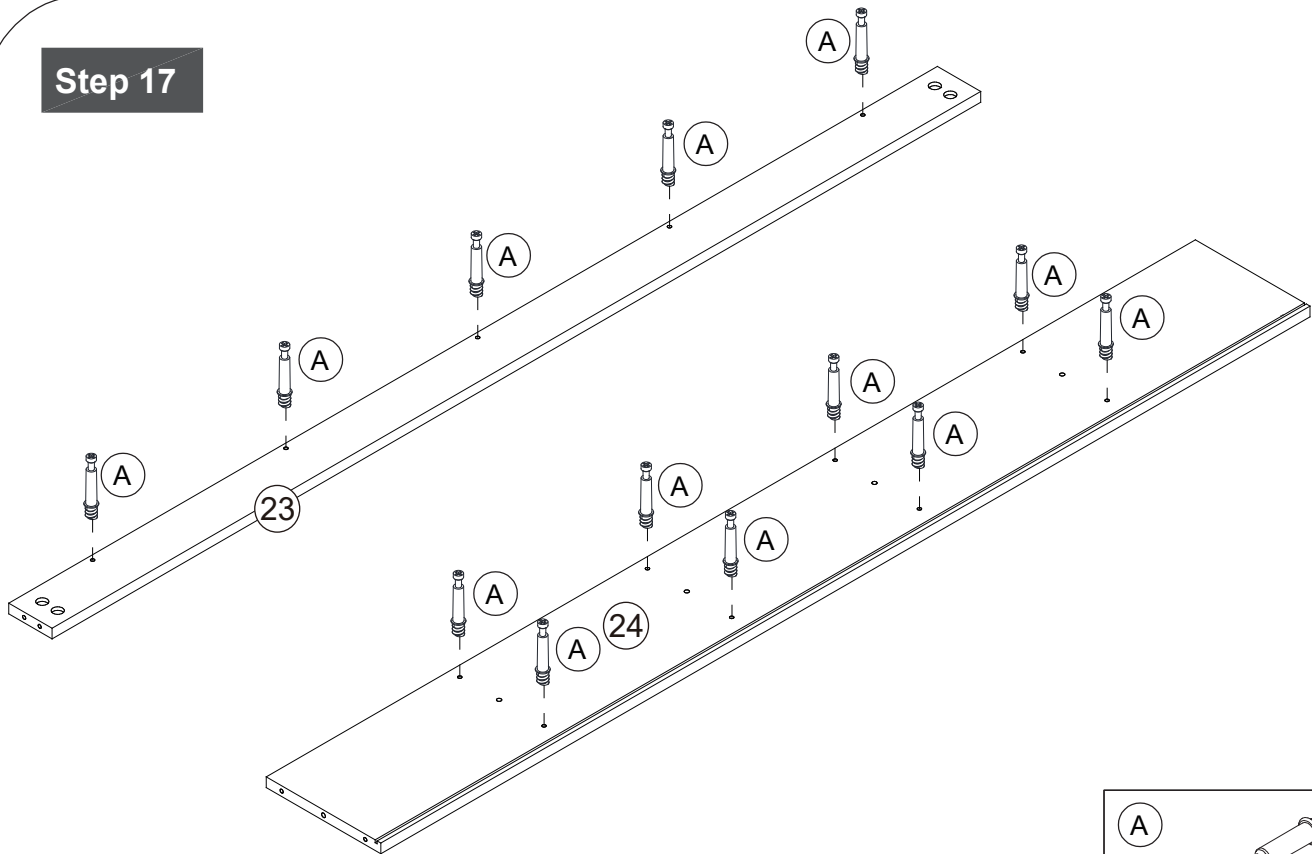


Step 16

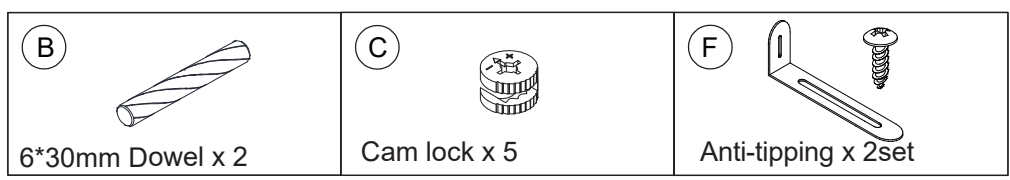
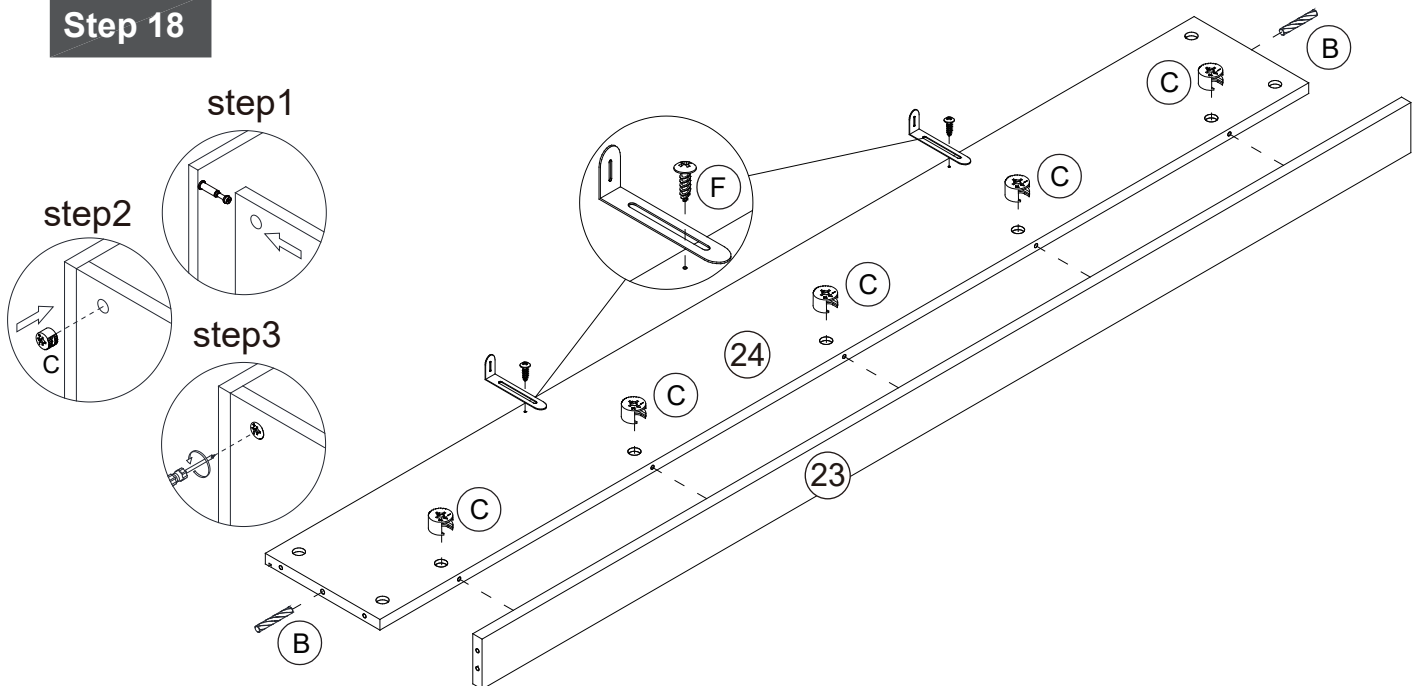


Assembly Instructions

Step 17

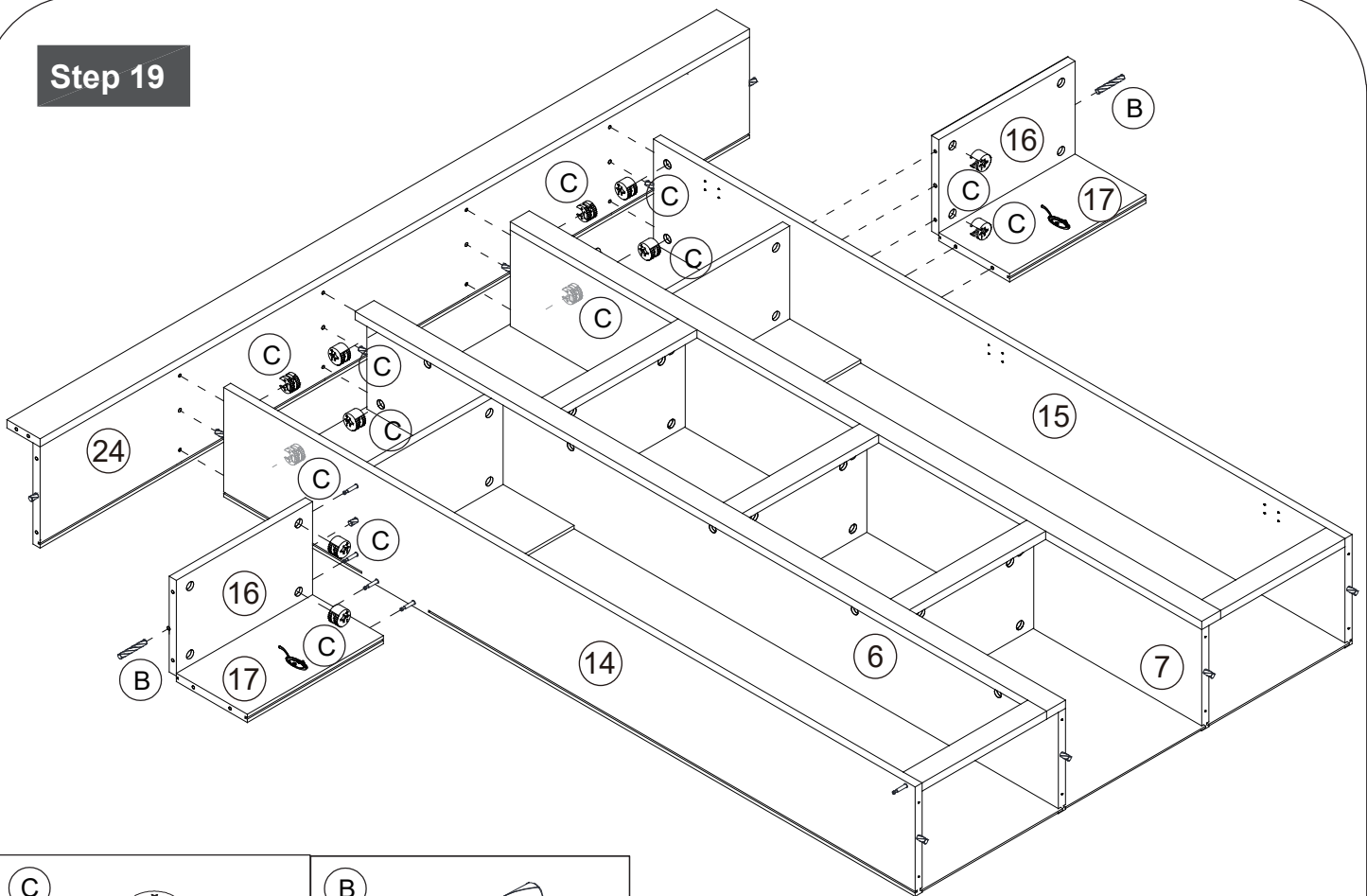


Step 18



Assembly Instructions

Step 19



C



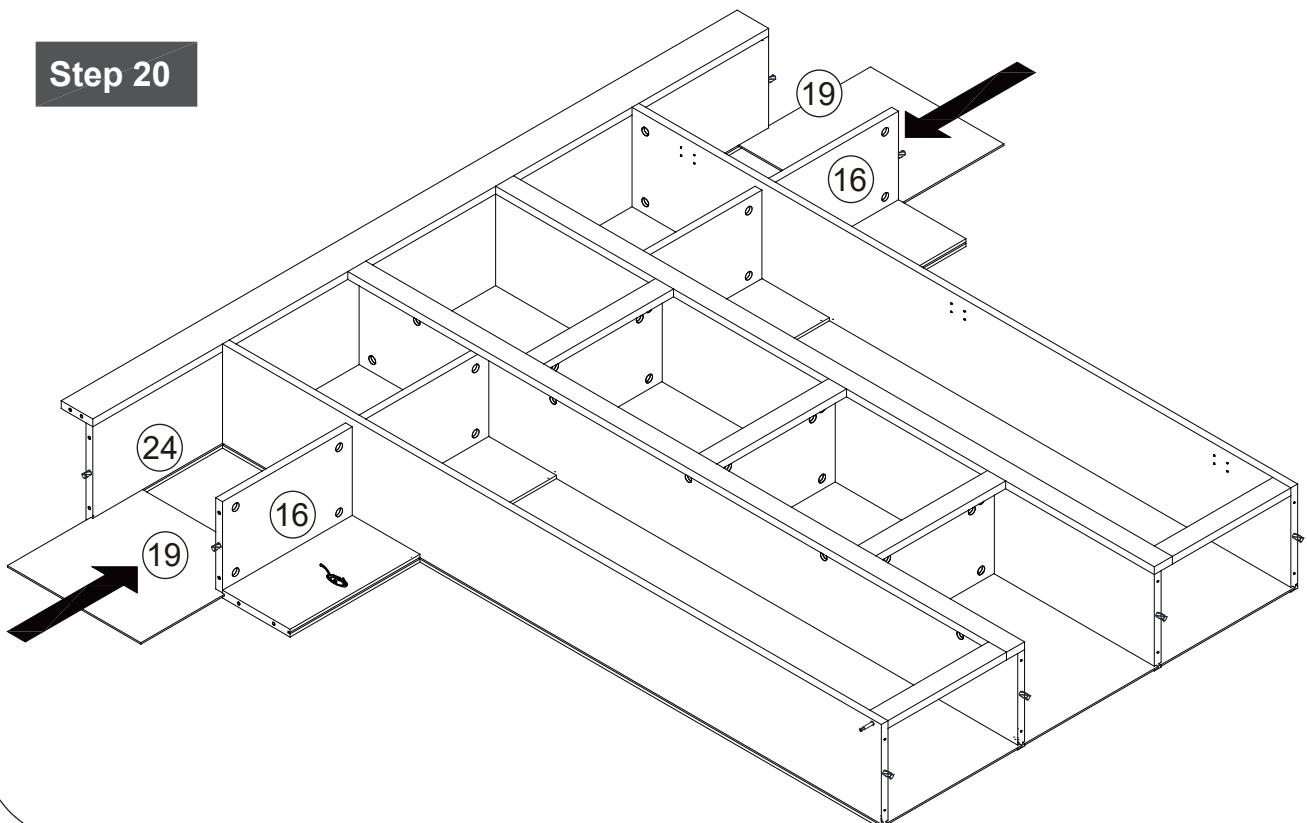
Cam lock x 12

B



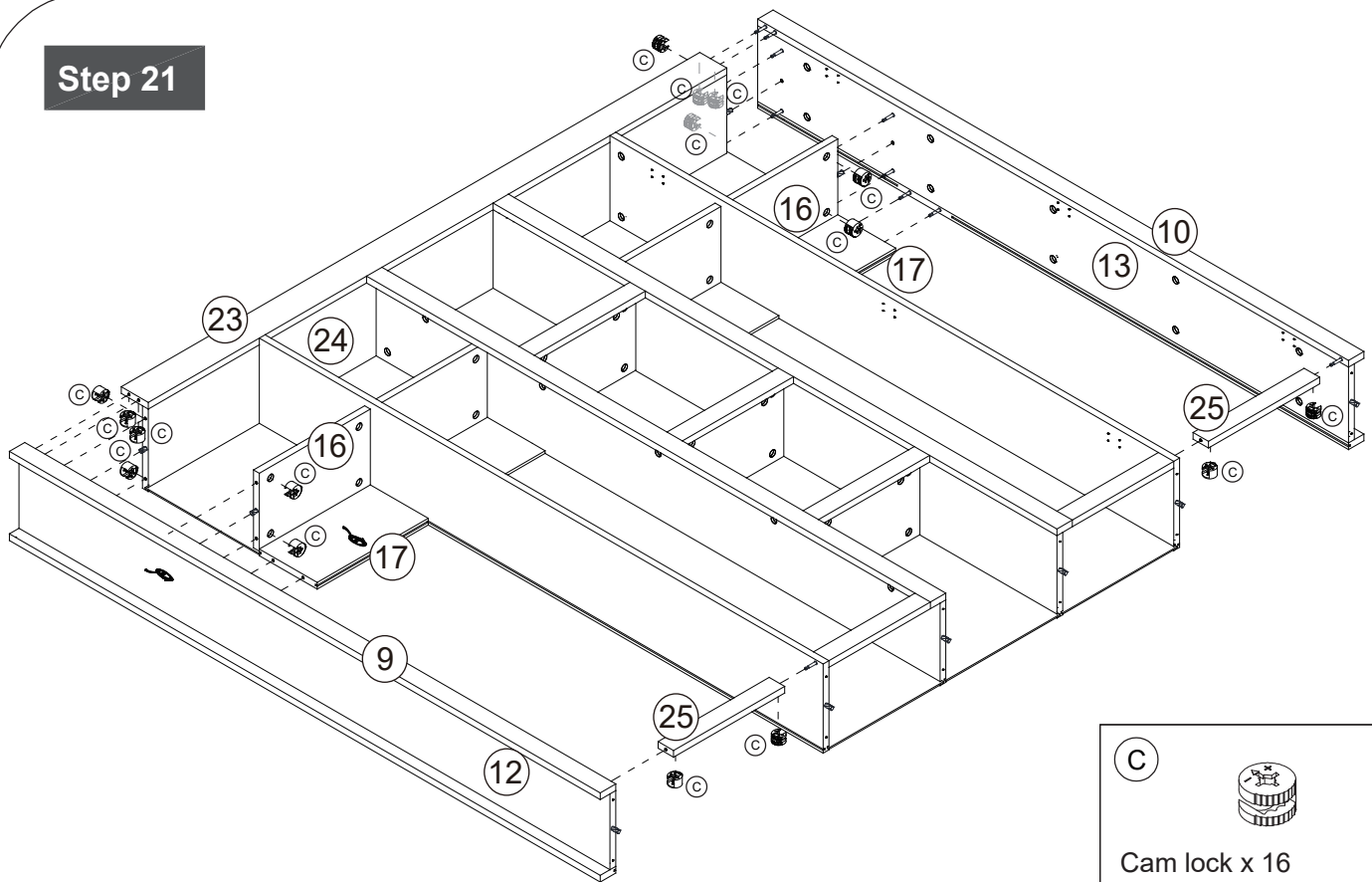
6*30mm Dowel x 2

Step 20

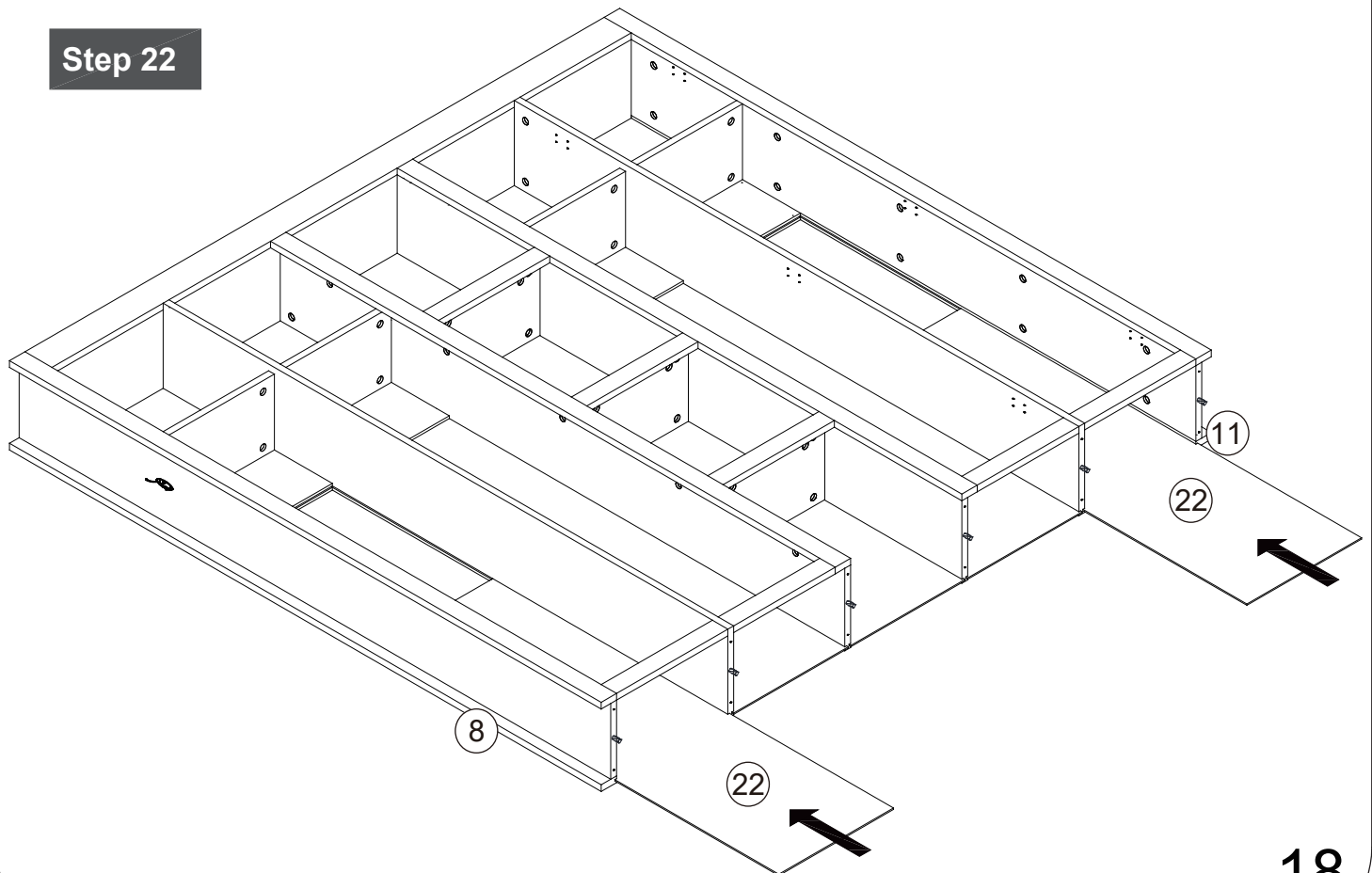


Assembly Instructions

Step 21

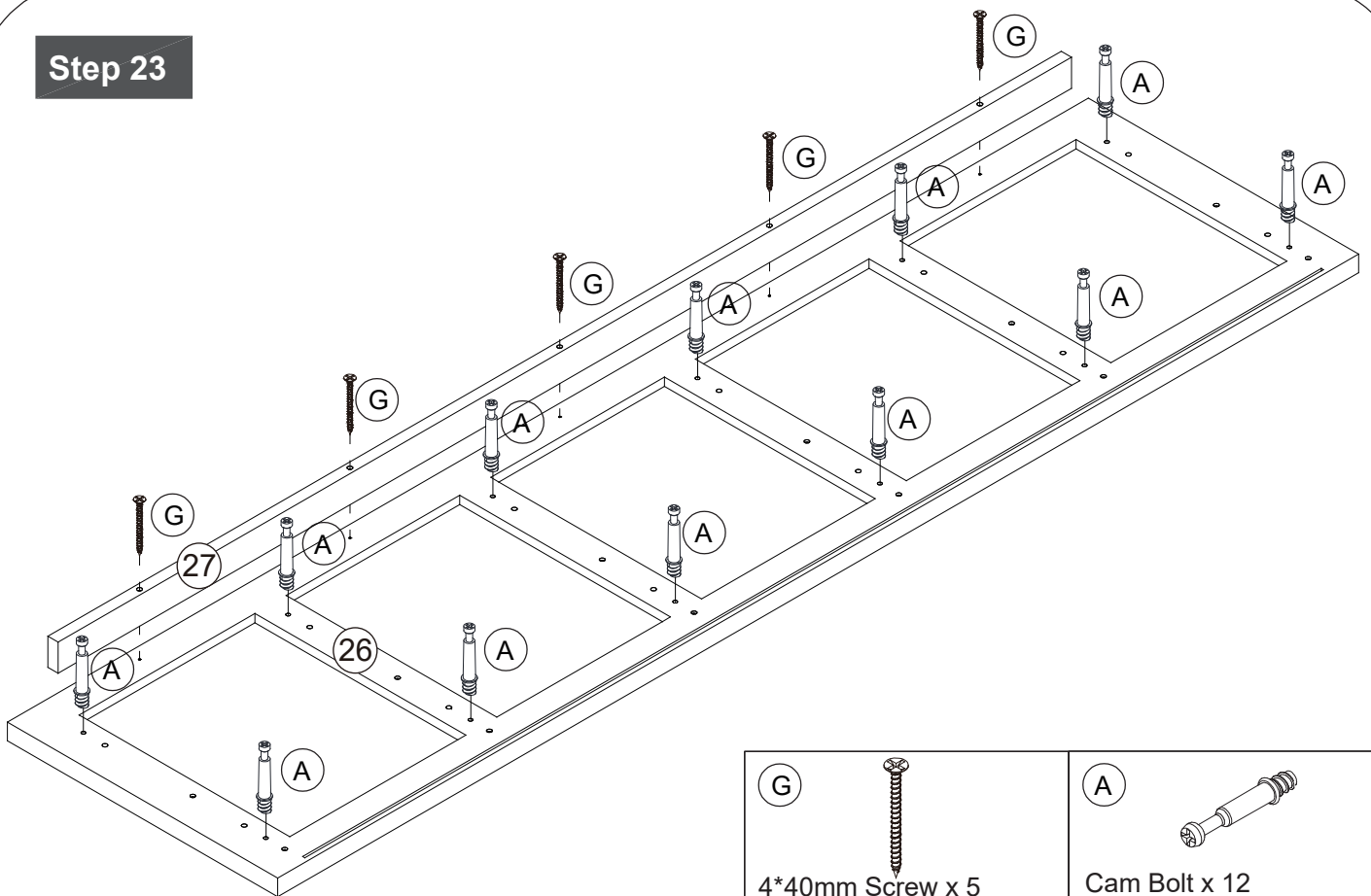


Step 22

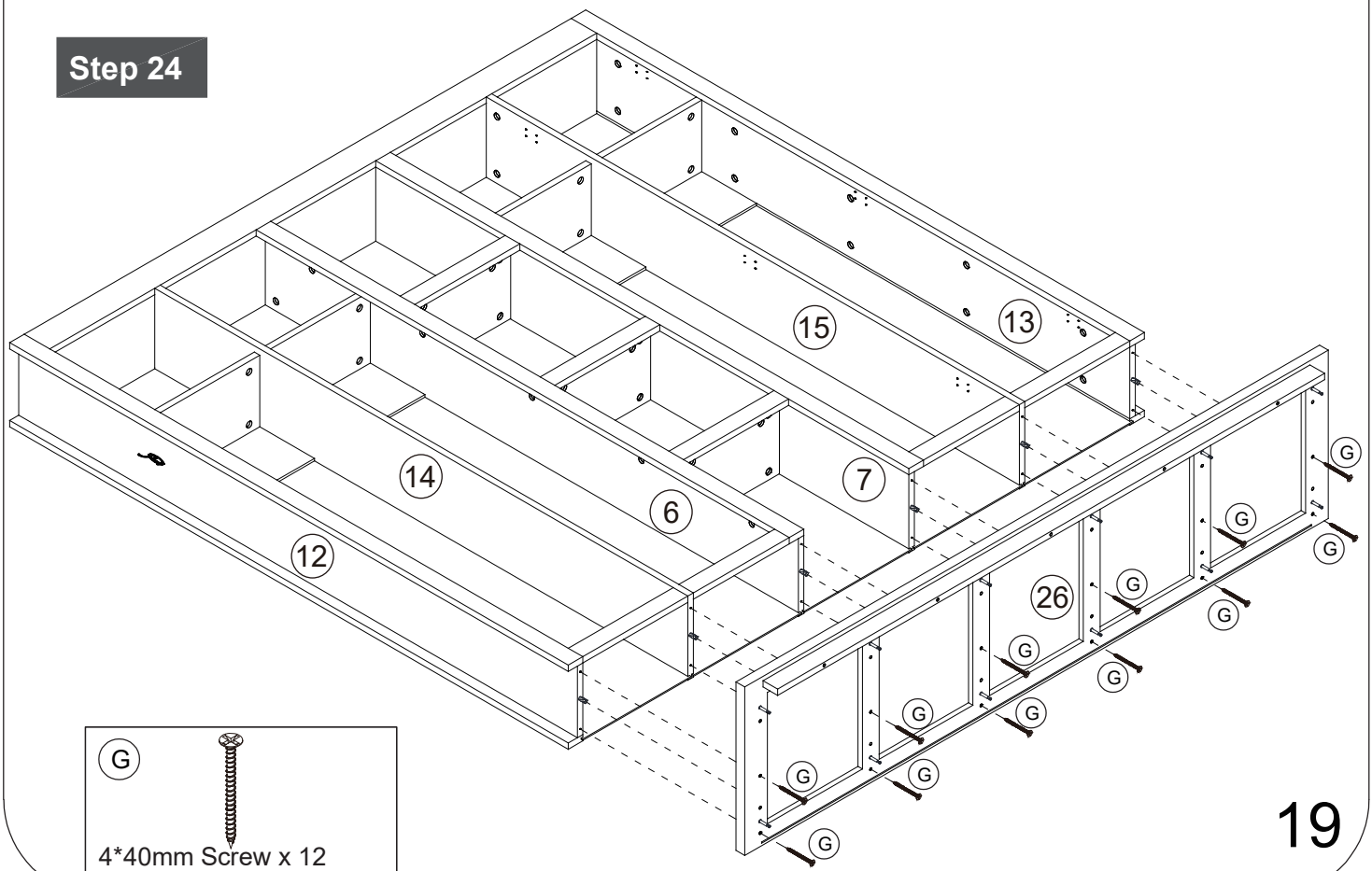


Assembly Instructions

Step 23

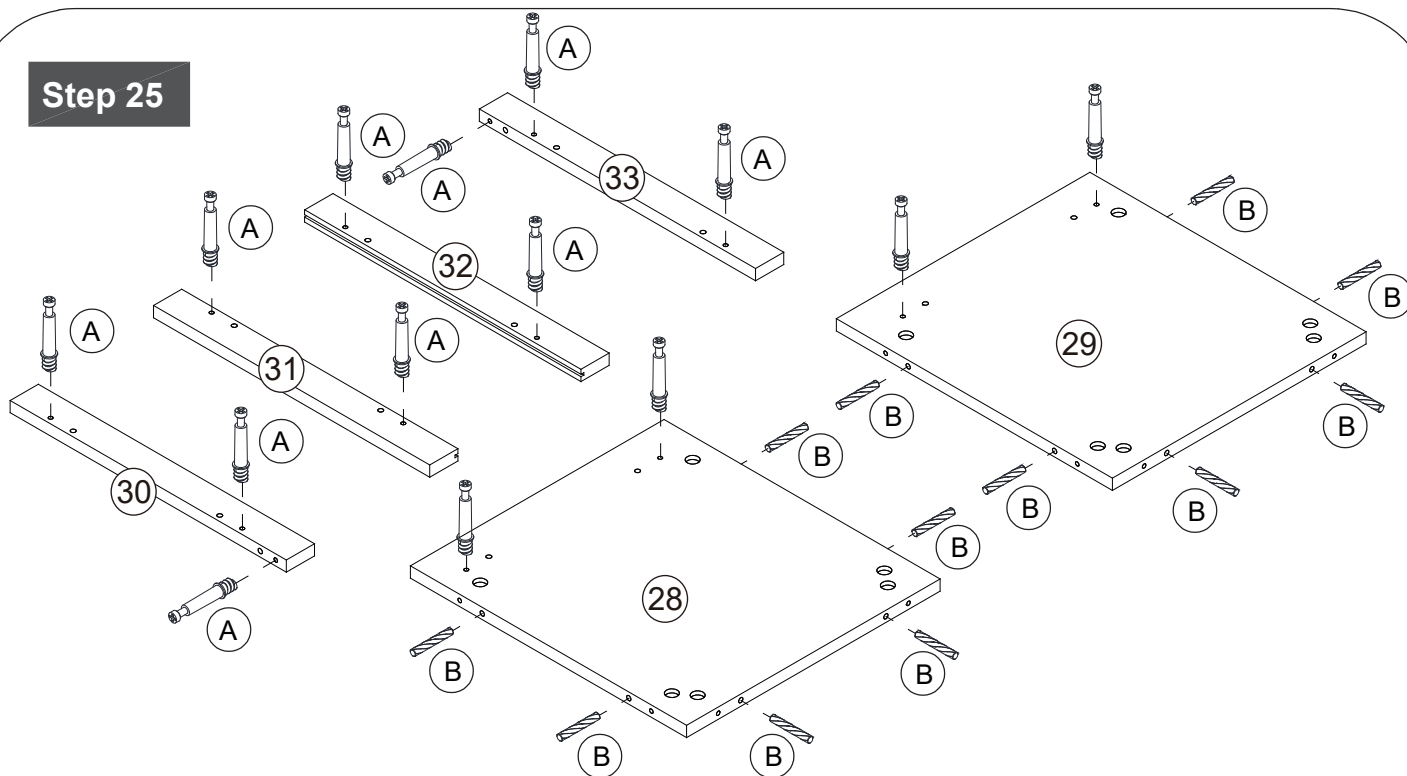


Step 24

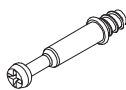


Assembly Instructions

Step 25

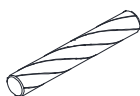


(A)



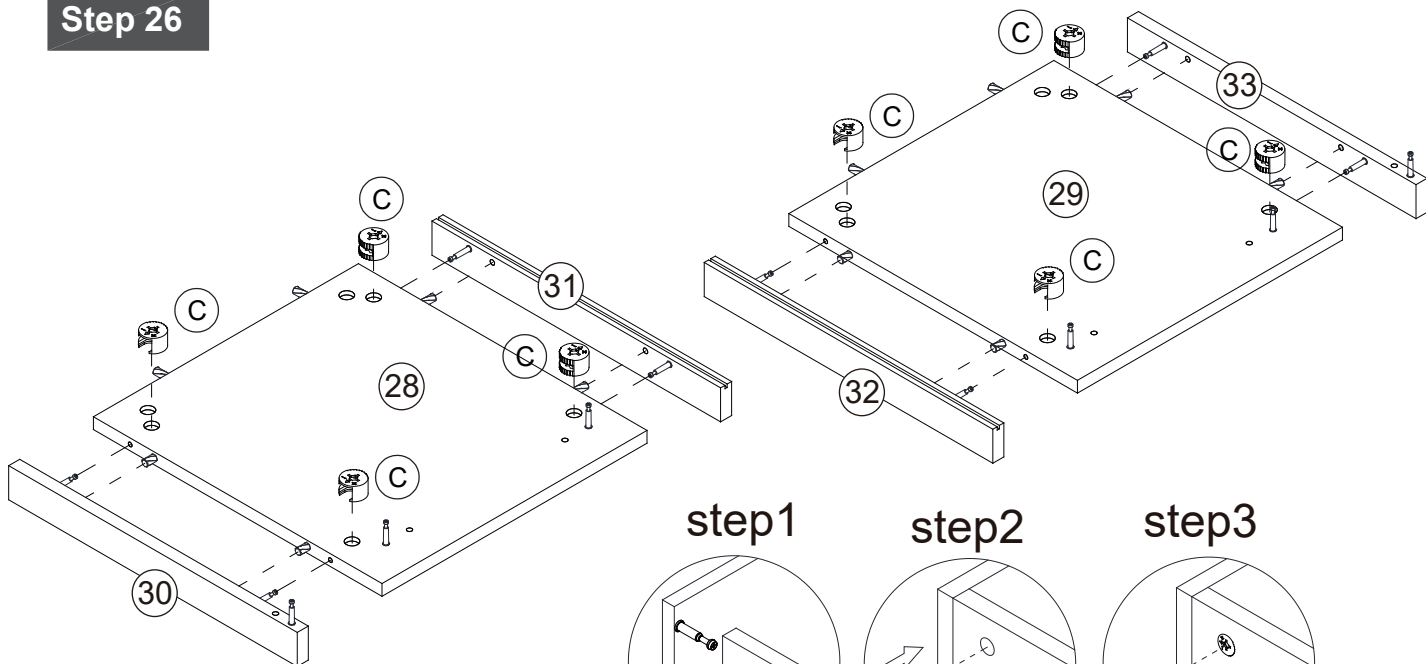
Cam Bolt x 14

(B)



6*30mm Dowel x 12

Step 26

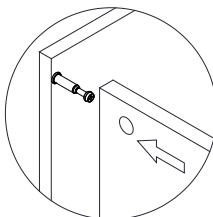


(C)

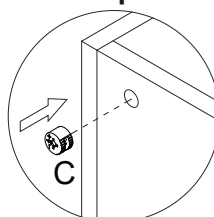


Cam lock x 8

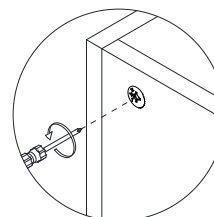
step1



step2

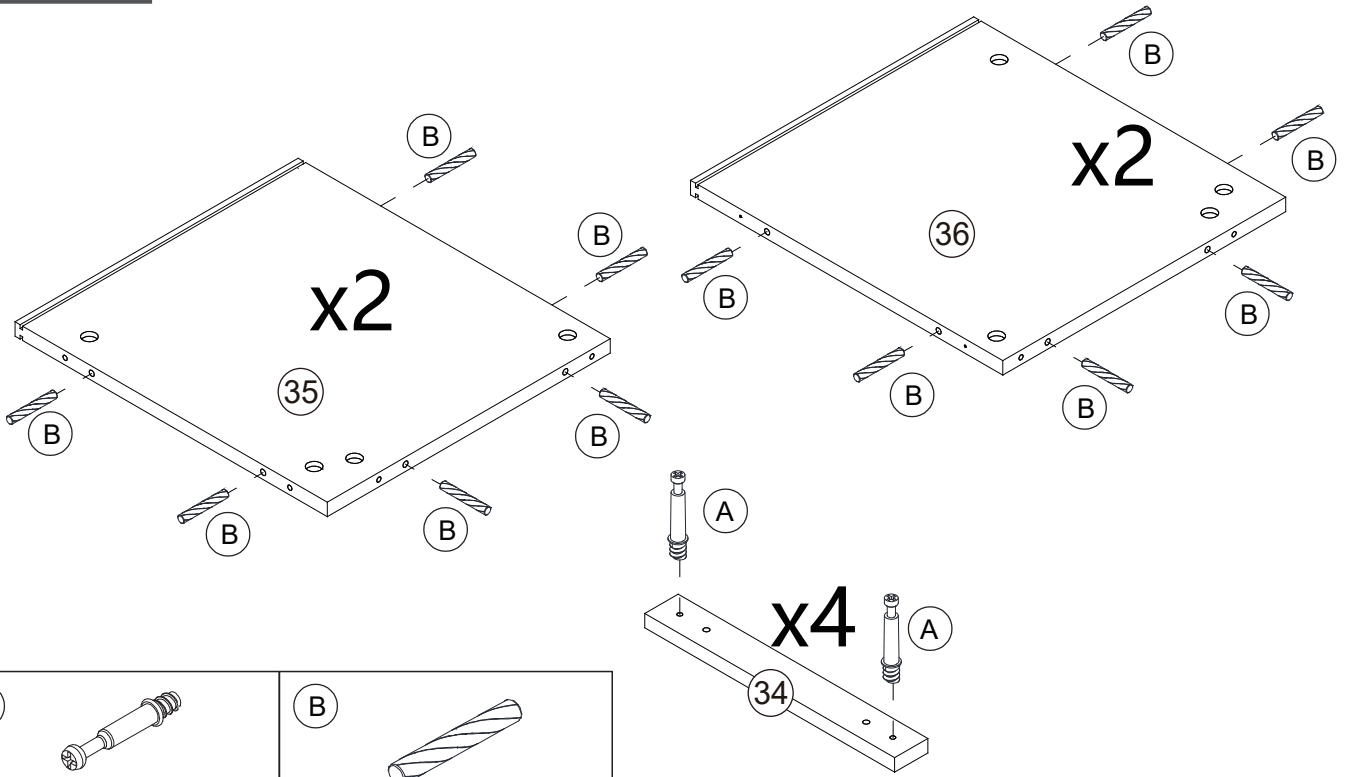


step3

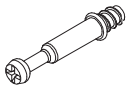


Assembly Instructions

Step 27

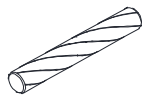


(A)



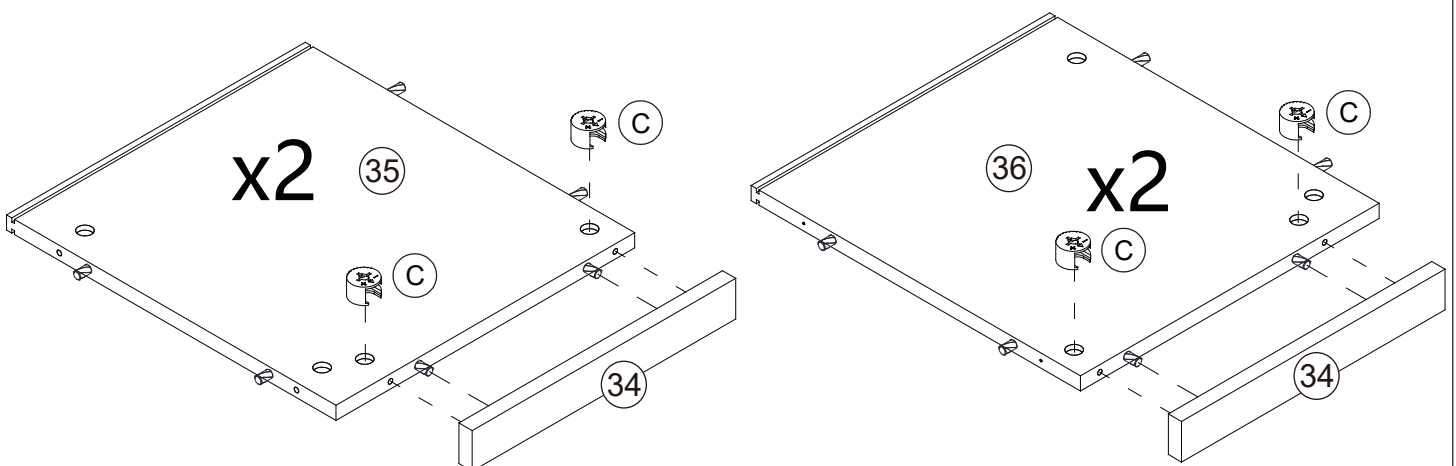
Cam Bolt x 8

(B)



6*30mm Dowel x 24

Step 28

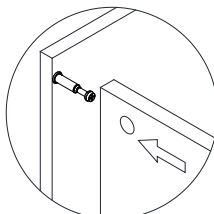


(C)

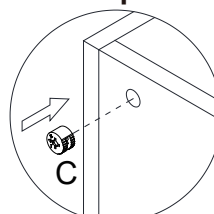


Cam lock x 8

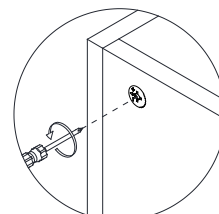
step1



step2

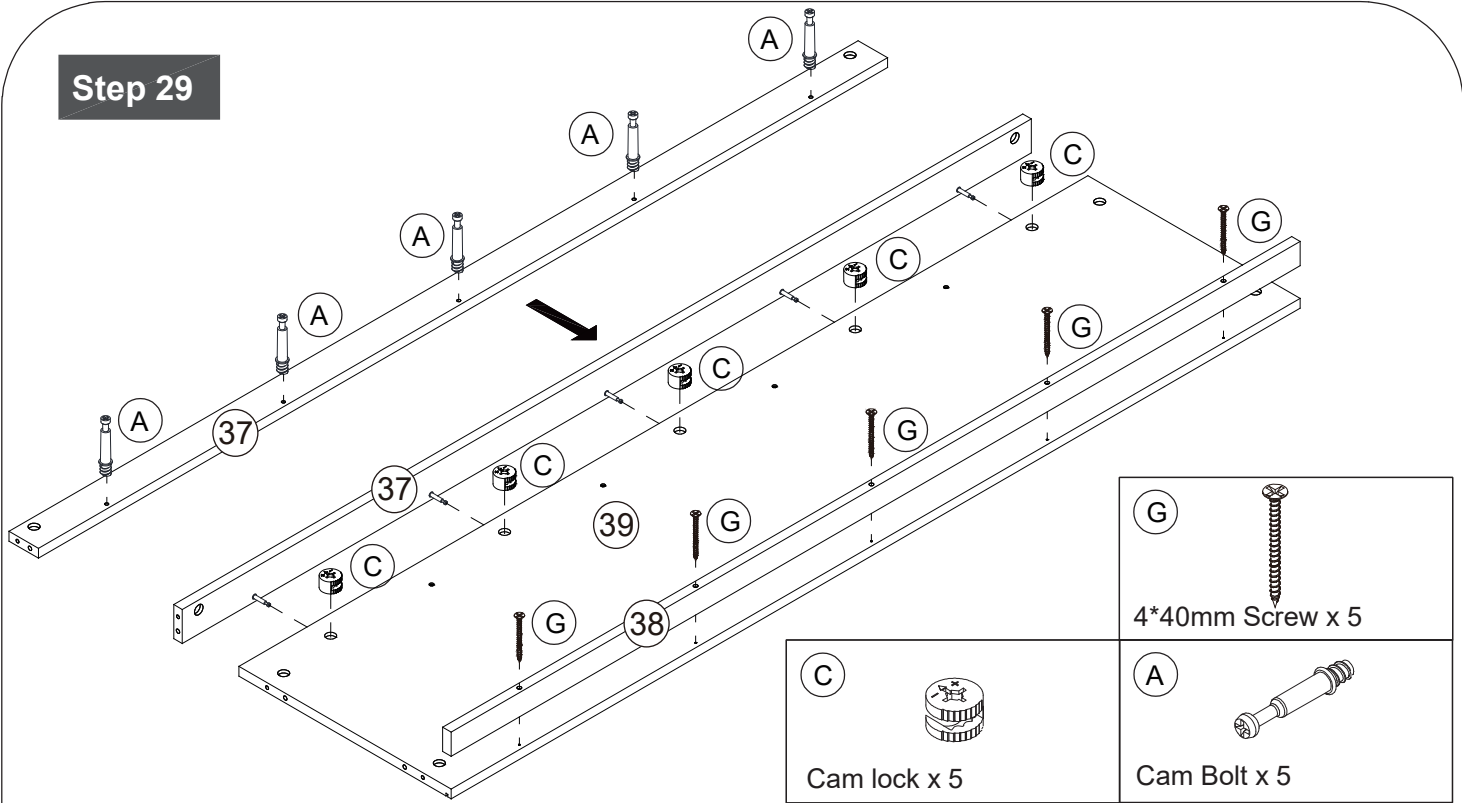


step3

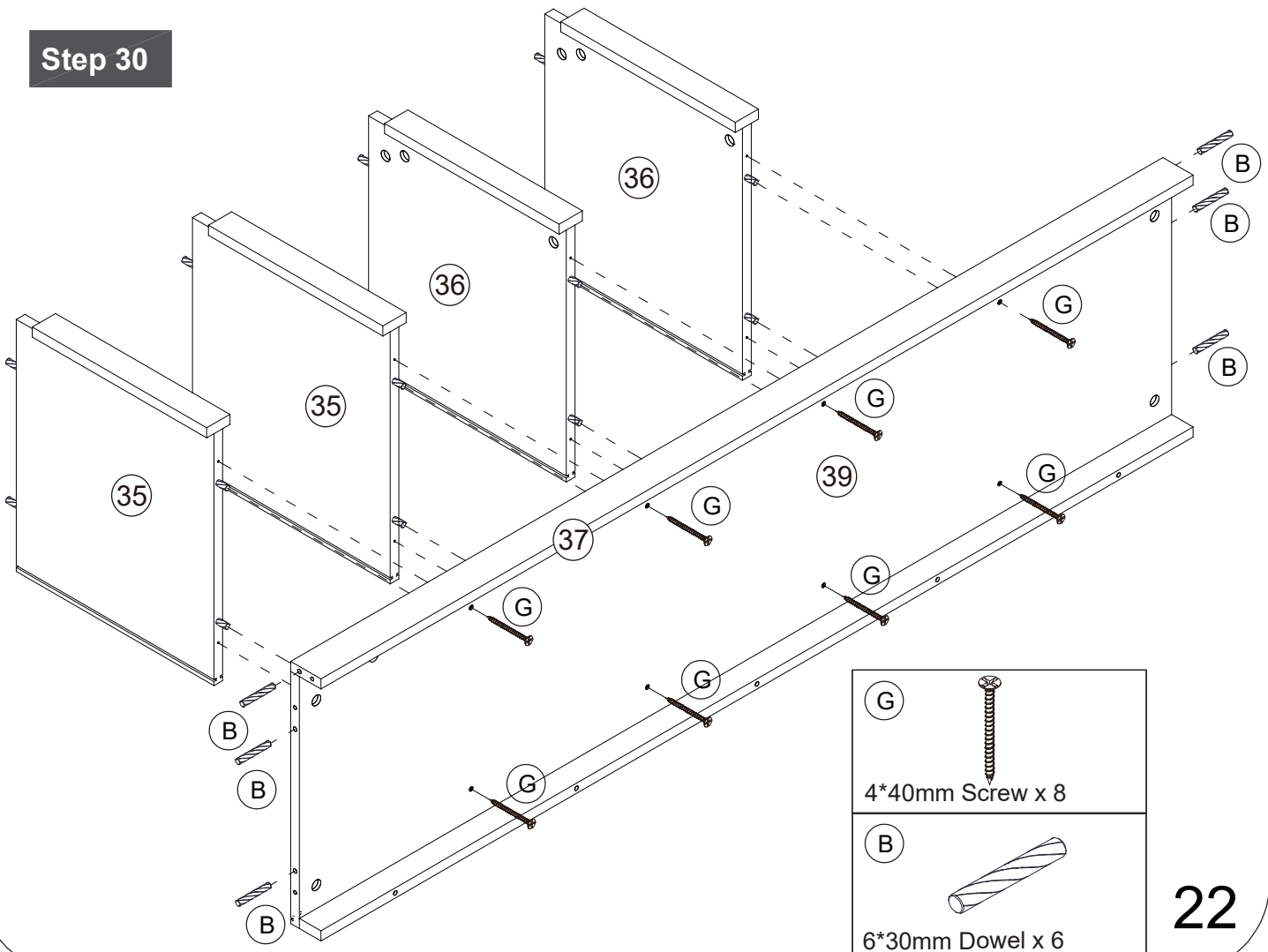


Assembly Instructions

Step 29



Step 30



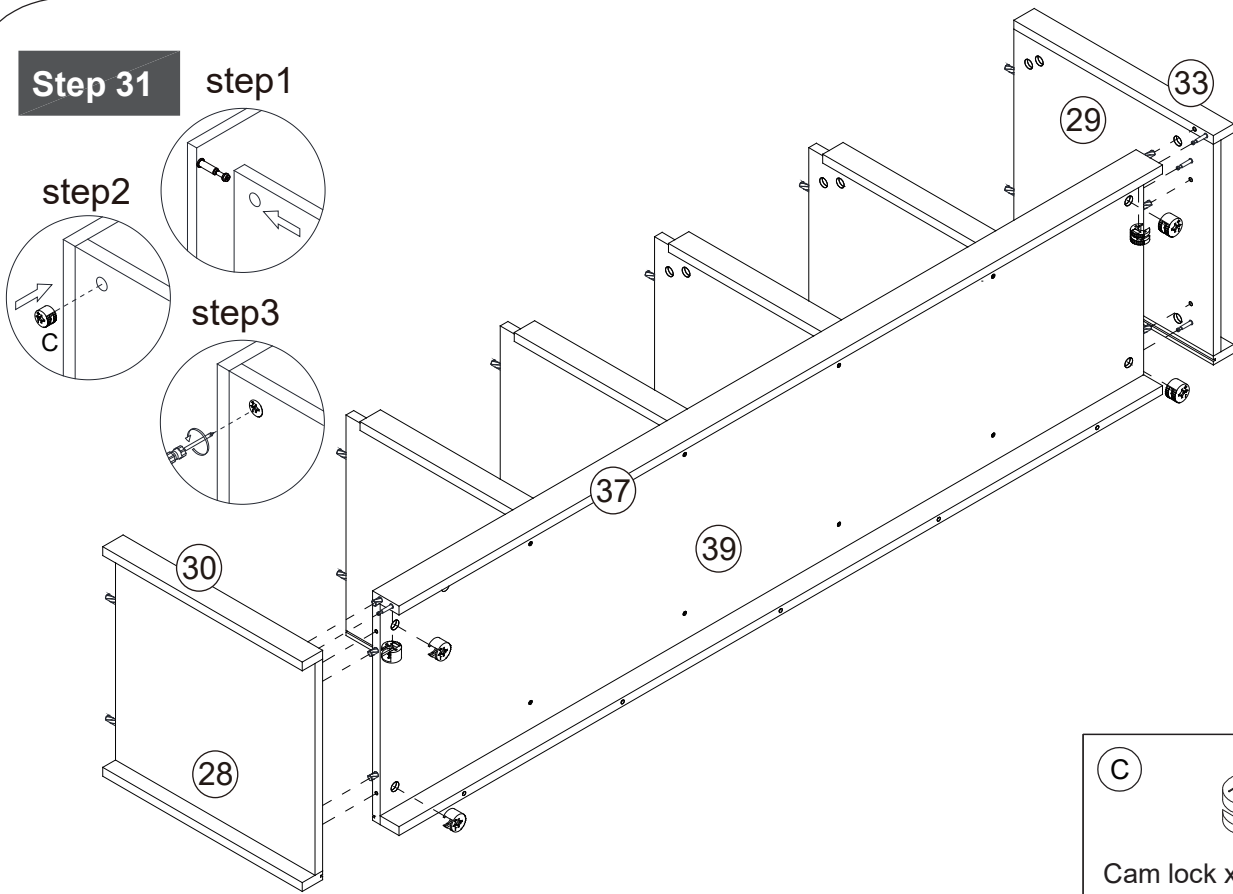
Assembly Instructions

Step 31

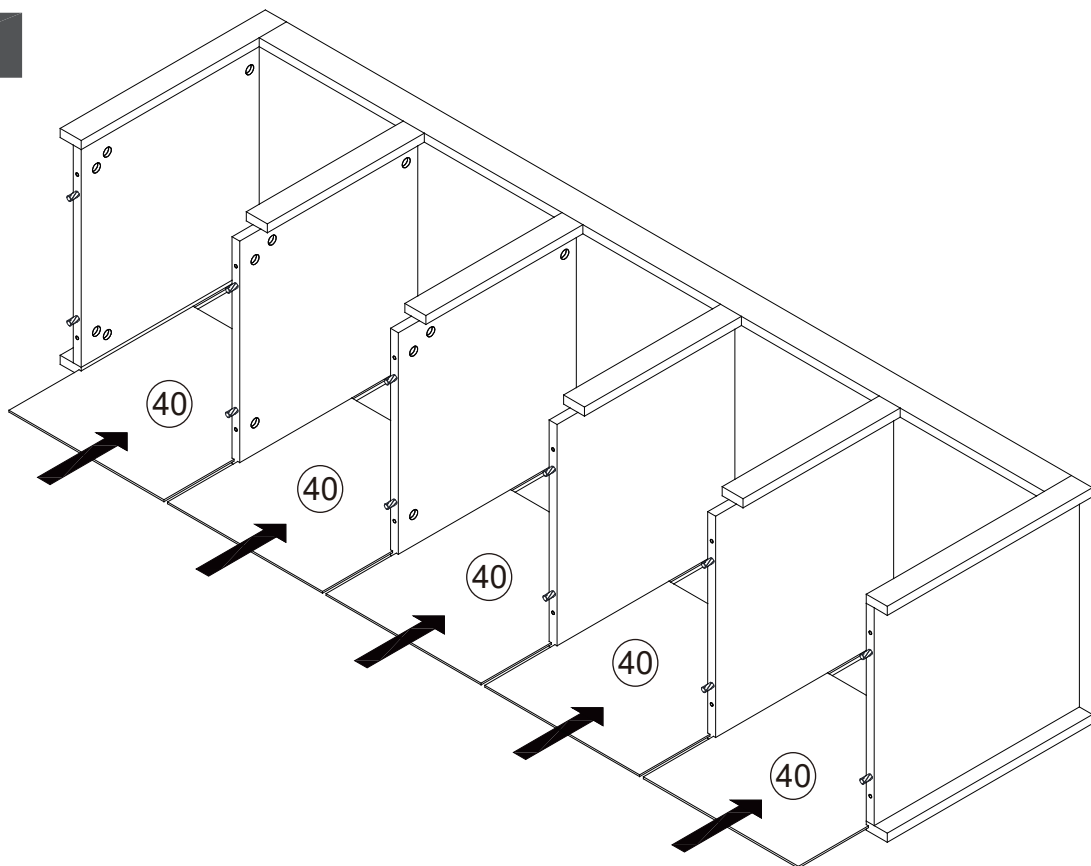
step1

step2

step3

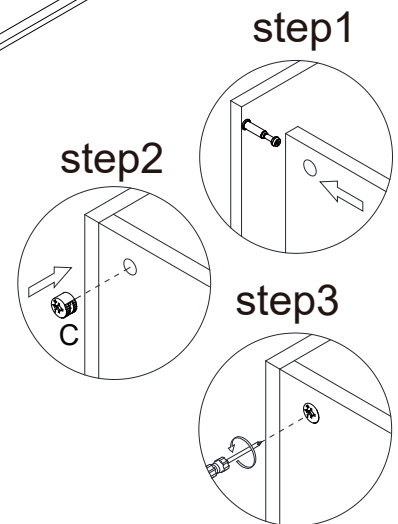
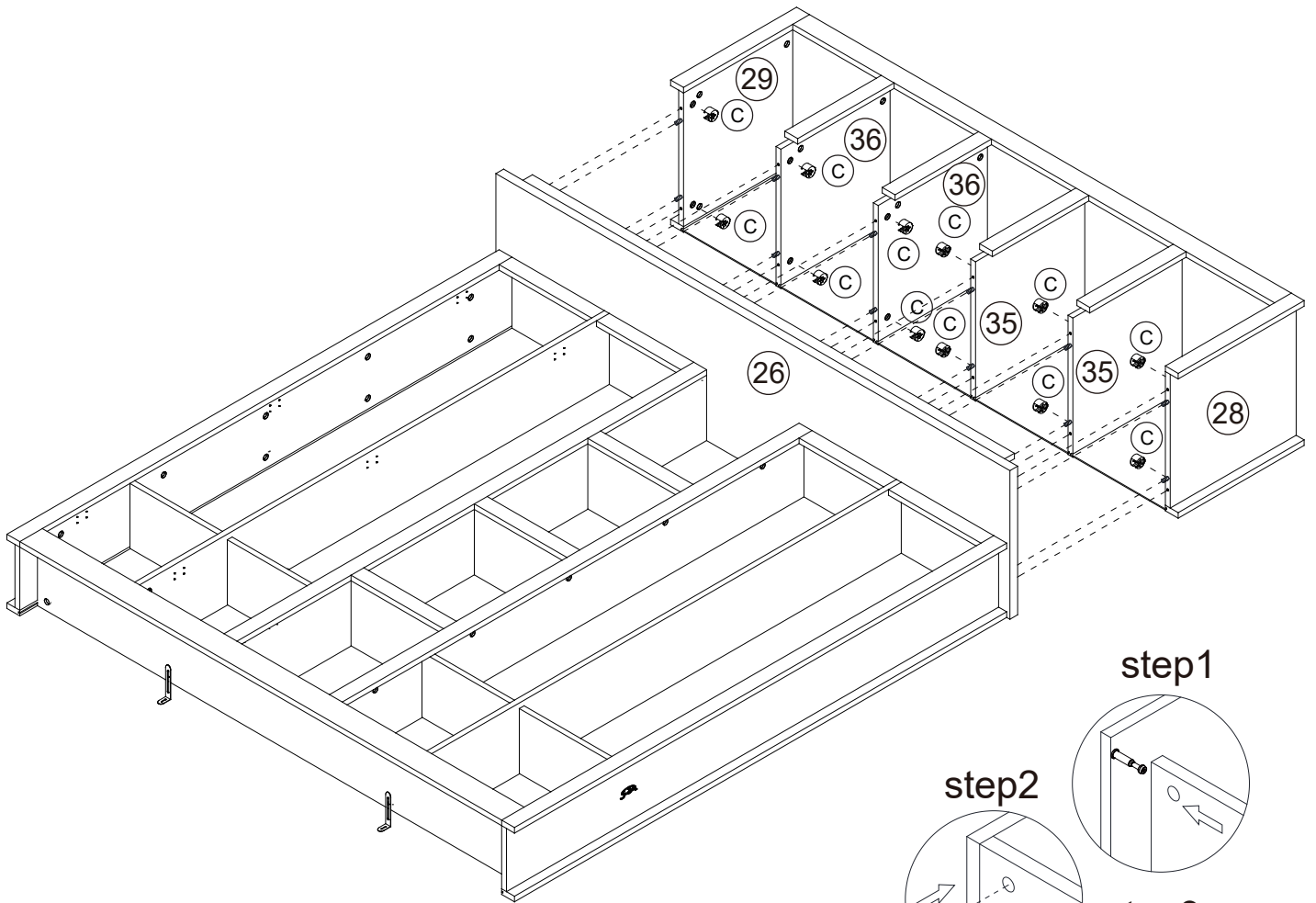


Step 32



Assembly Instructions

Step 33



C

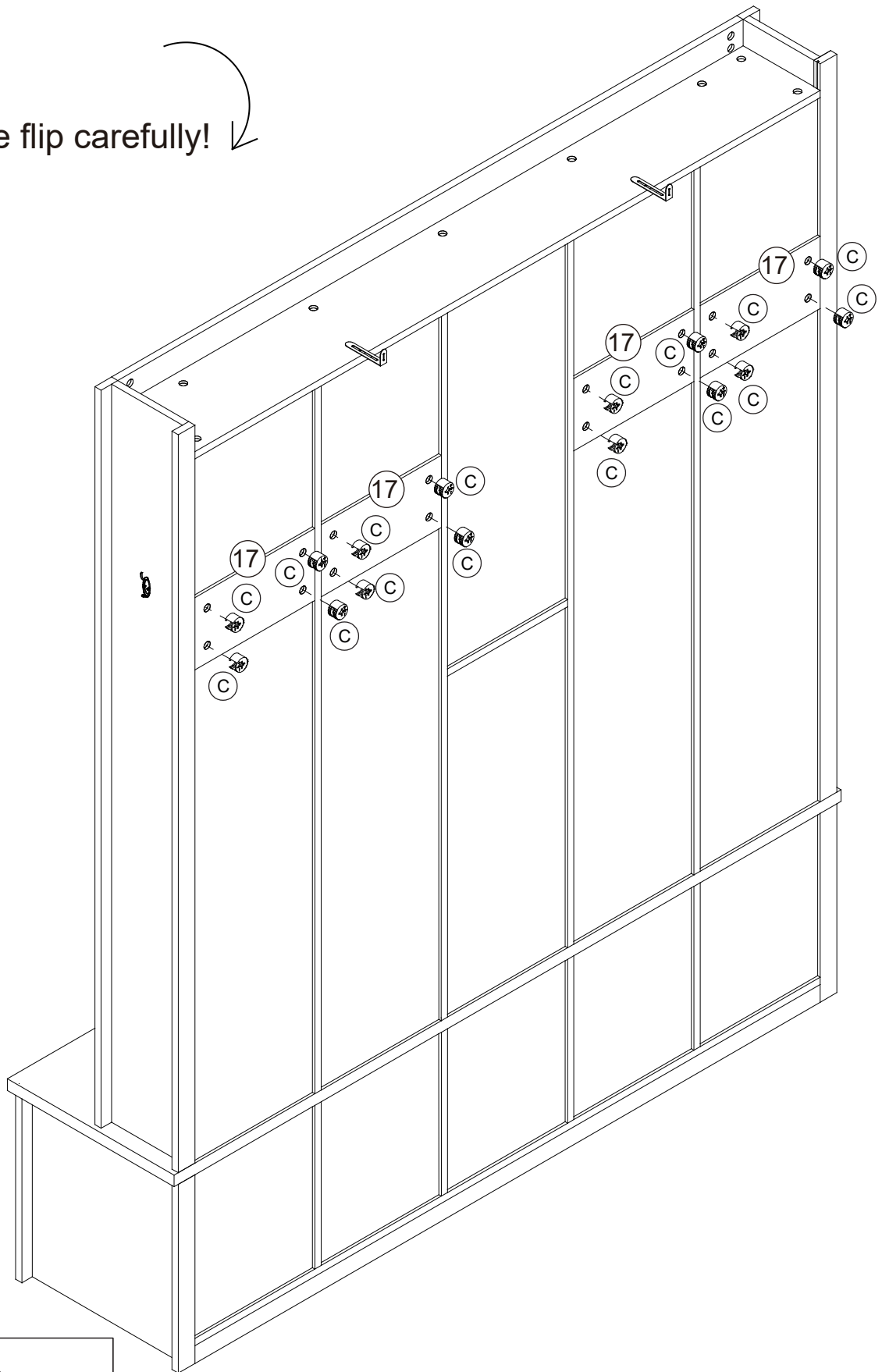


Cam lock x 12

Assembly Instructions

Step 34

Please flip carefully! ↙



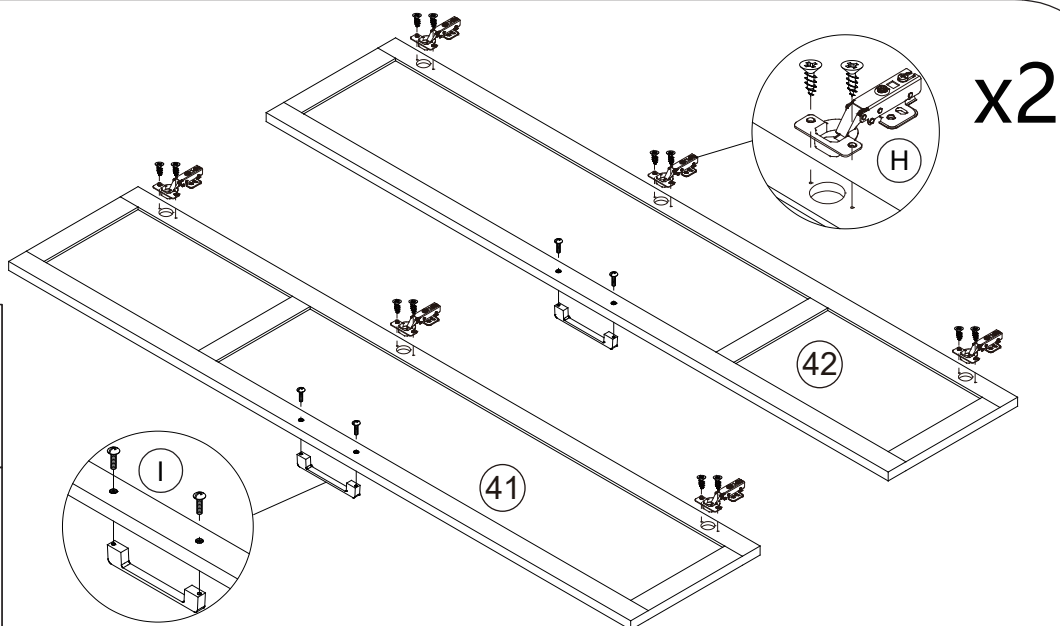
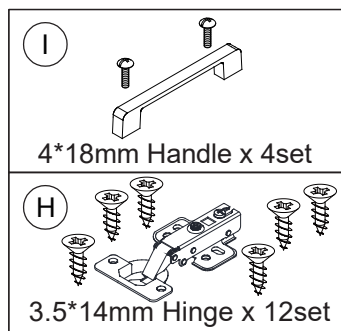
C



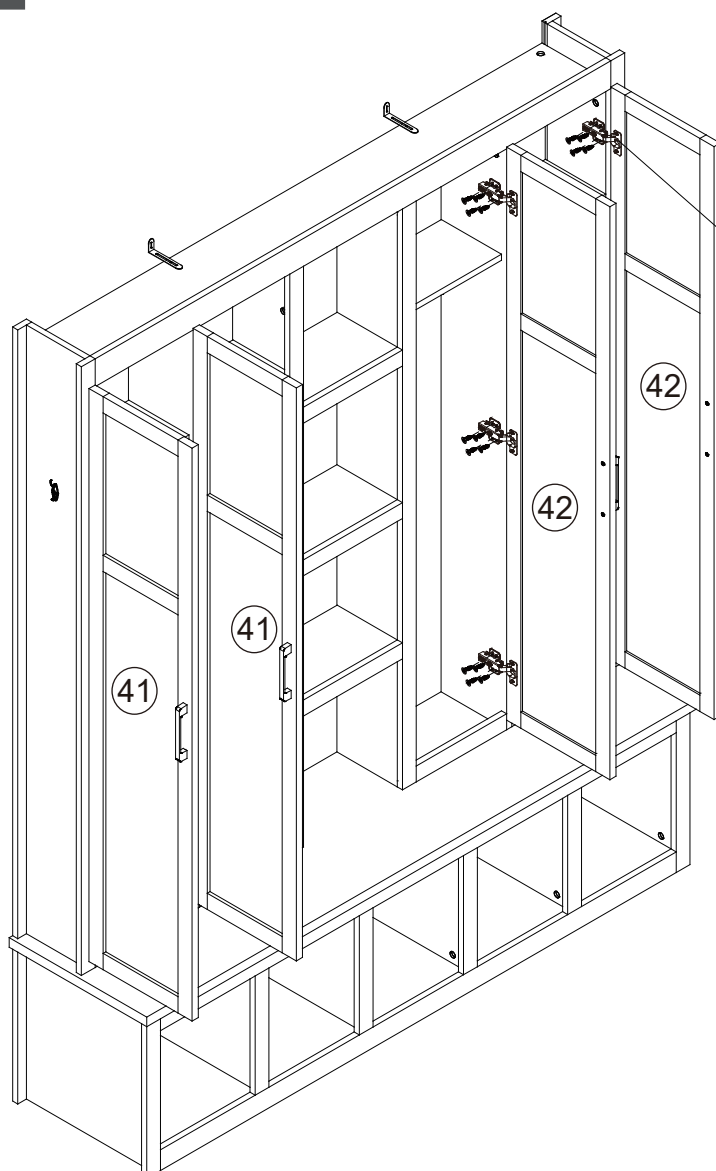
Cam lock x 16

Assembly Instructions

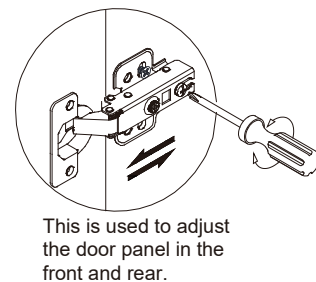
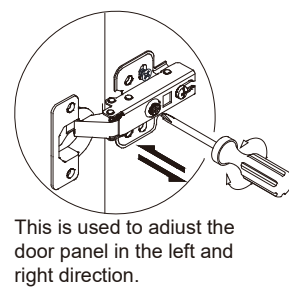
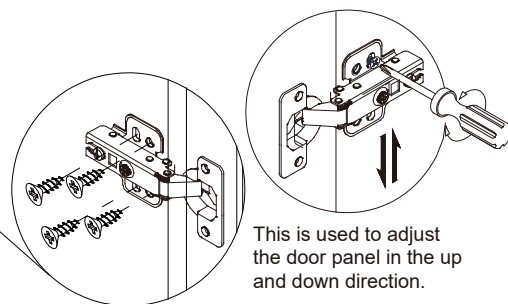
Step 35



Step 36

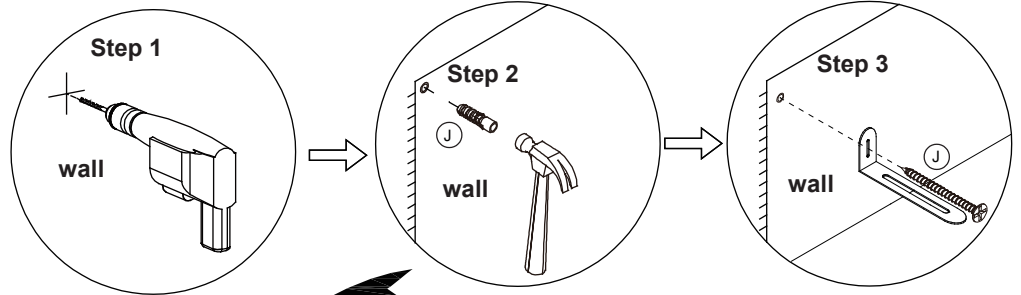


If the door can't close, please adjust the hinges as below.

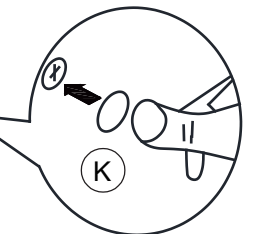
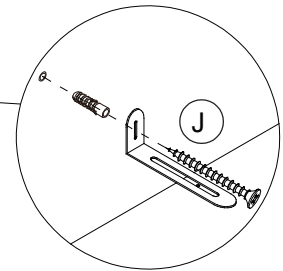
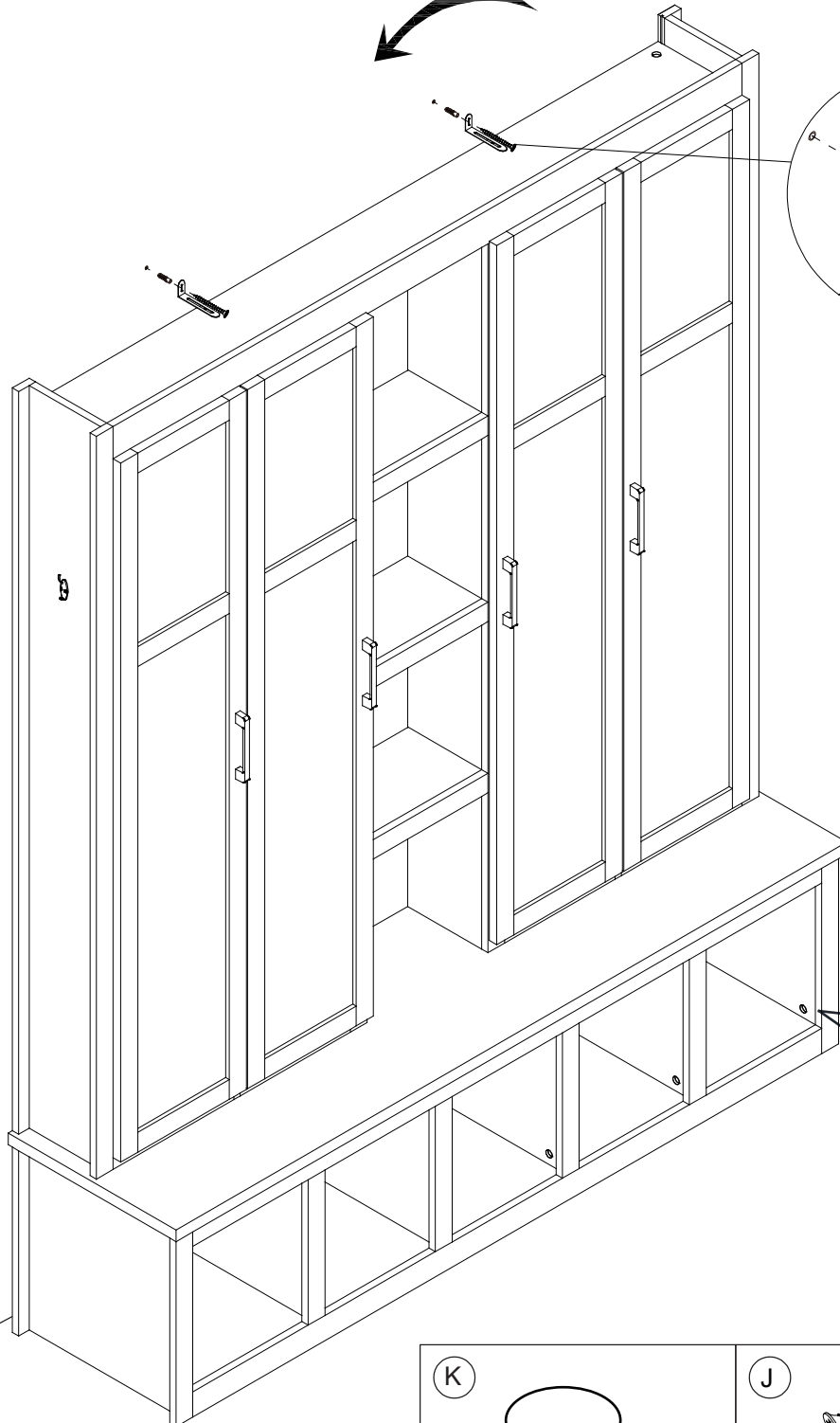
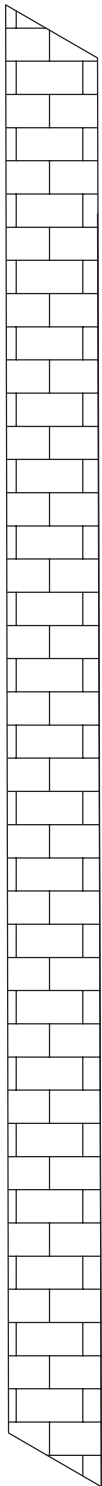



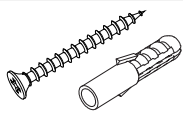
Assembly Instructions

Step 37



WALL



<p>(K)</p>  <p>Perfect fit x 85</p>	<p>(J)</p>  <p>Expansion screws x 2set</p>
------------------------------------------------------------------------------------------------------------------------	---------------------------------------------------------------------------------------------------------------------------------

Assembly Instructions

Finish

