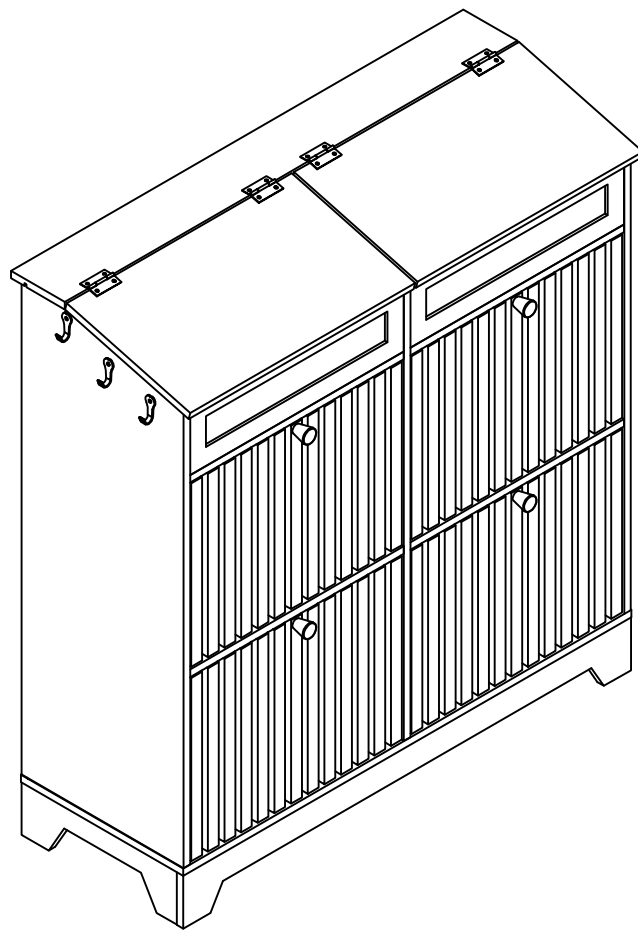


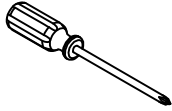
# Installation Instruction



# Assembling

## What you need

- Use the packaging carton as a working surface to prevent product damage during assembly
- Phillips head screwdriver



## Weight Limitation

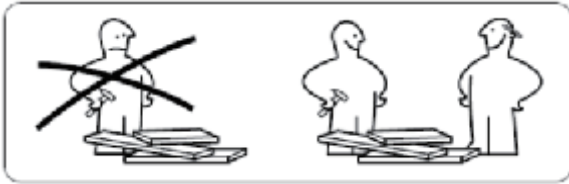


**100**

lbs table top

**| 35**

lbs per

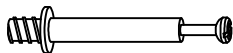


# What' included

Code	Description	Qty
A	Cam Bolt M6X35MM	26
B	Cam Lock 15X9MM	36
C	Wooden Dowel M6X30MM	15
D	Screw M4X30MM	12
E	Screw M3.0X12MM	24
F	Anchor	2
G	L-shaped metal sheet	2
H	Screw M3.0X12MM	40
I	The back button	24
J	Foot nail	6
K	Circular hole Decals	36
L	Ron absorption	4
M	Metal handle	4
N	Cam Bolt M4X28MM	4
O	Door latch	8
P	Oval handle	4
Q	Hinge	4
R	Link	6
S	Silicone pad	3
T	Two fold tie rod	4
U	Screw M3.0X14MM	16
V	Cam Bolt M6X68MM	5
W	Wooden Dowel M6X50MM	3

# The Hardwares

(A)



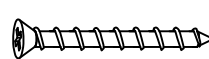
(B)



(C)



(D)



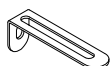
(E)



(F)



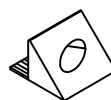
(G)



(H)



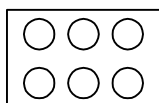
(I)



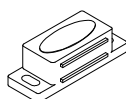
(J)



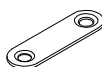
(K)



(L)



(M)



(N)



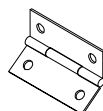
(O)



(P)



(Q)



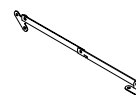
(R)



(S)



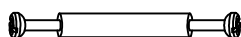
(T)



(U)



(V)



(W)



## IMPORTANT:

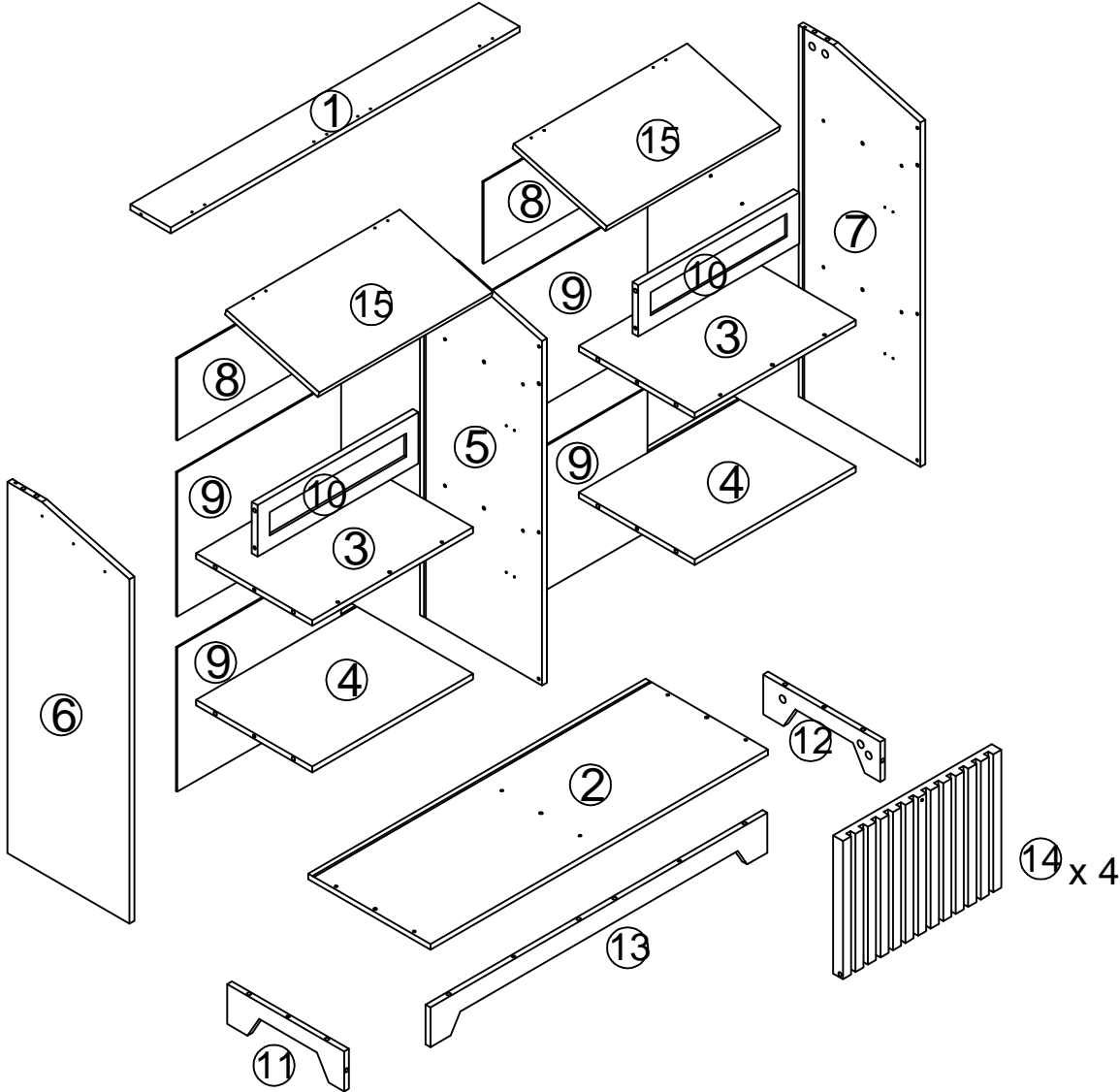
1. Do not tighten bolts / screws completely until all bolts / screws are lined up and inserted into holes.
2. Do not over tighten screws and bolts to avoid stripping
3. Please use hand tools to assemble this product, you can also use power tools (please use power tools carefully).

# Included Accessories

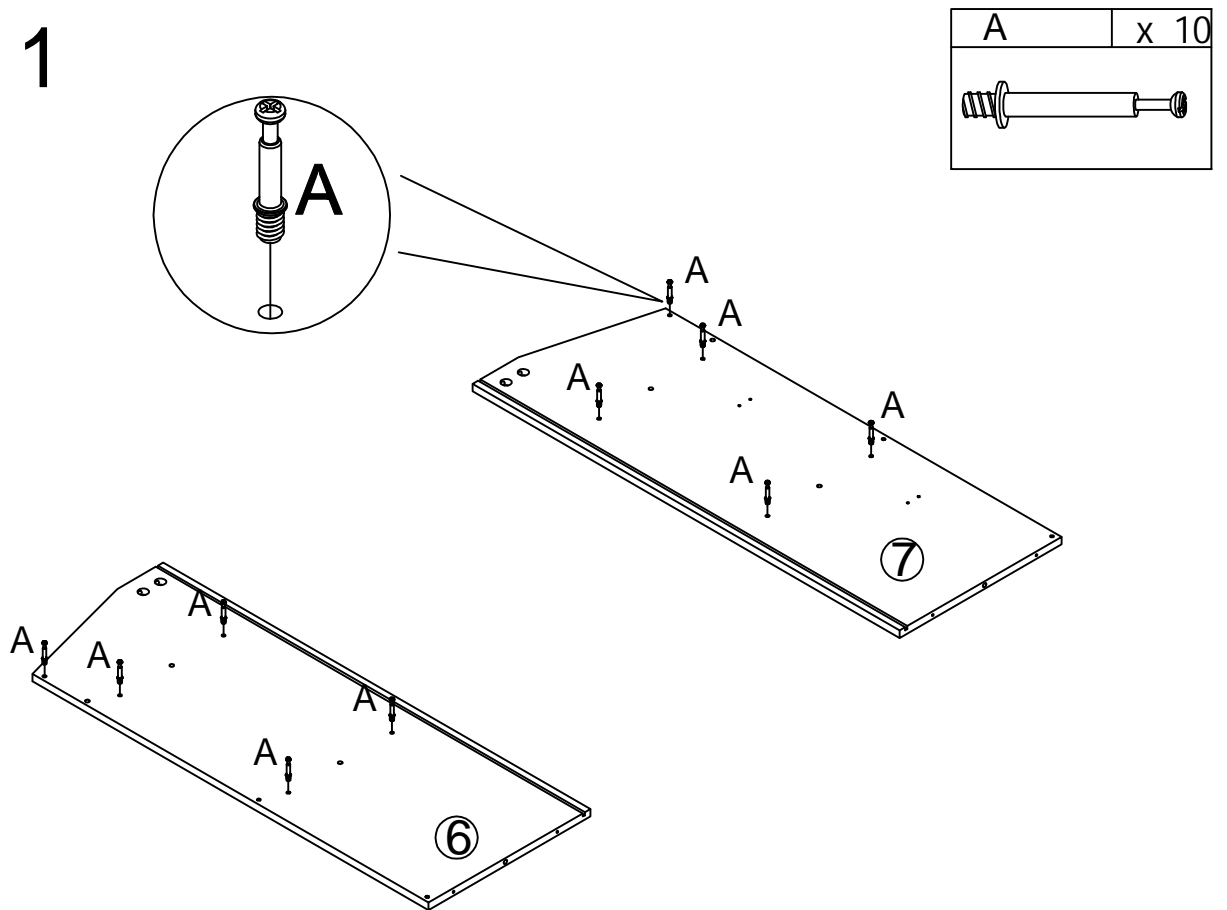
---

Code	Description	Qty
1	Cabinet Top	1
2	Bottom laminated plate	1
3	Top laminated plate	2
4	Middle laminated plate	2
5	Median septum plate	1
6	Left Side Panel	1
7	Right Side Panel	1
8	Top Backboard	2
9	Bottom Backboard	4
10	Baffle plate	2
11	Left decorative strip	1
12	Right decorative strip	1
13	Front decorative strip	1
14	Door	4
15	Cover plate	2

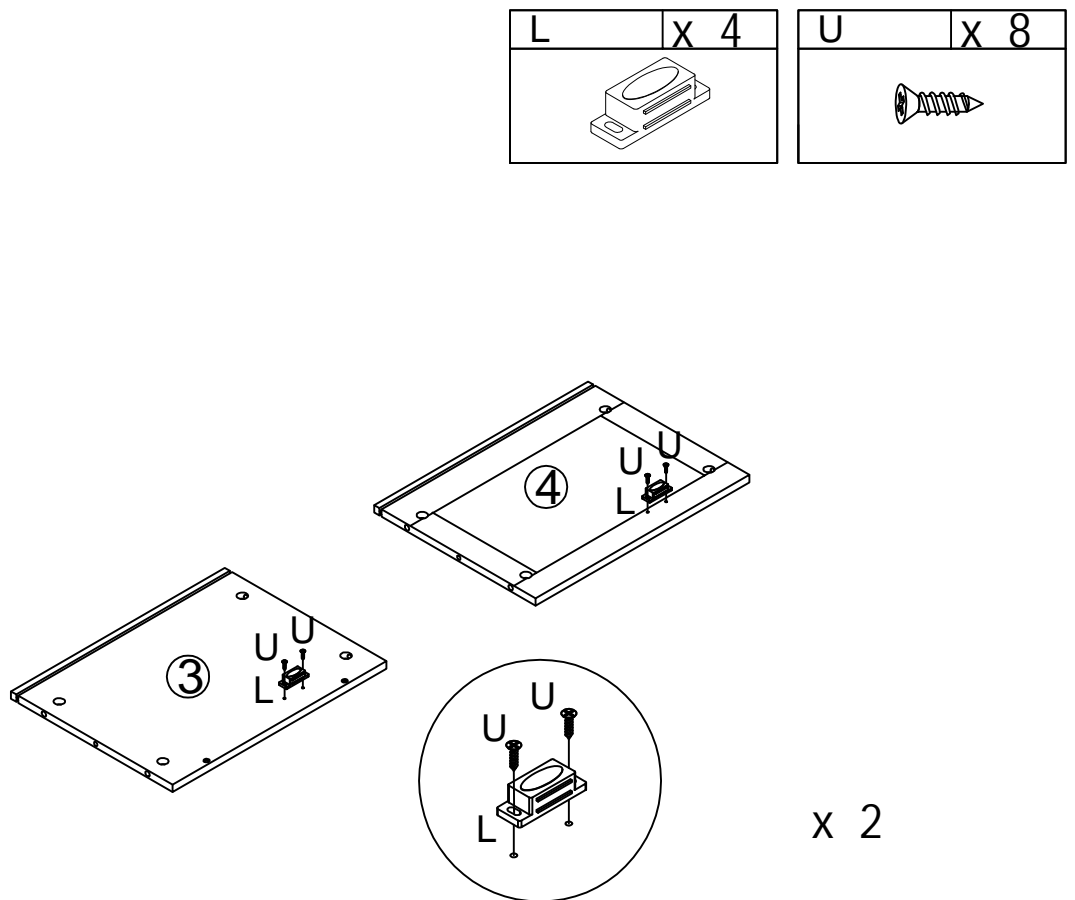
# The Accessoriess



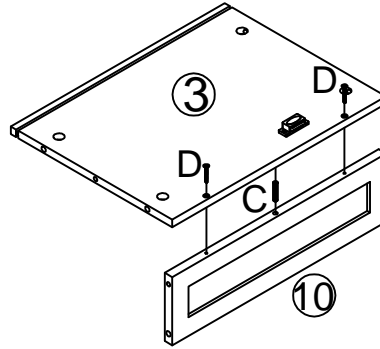
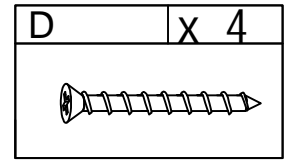
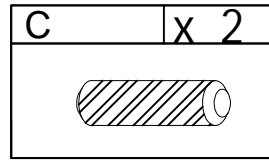
# Step 1



# Step 2

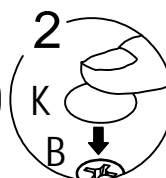
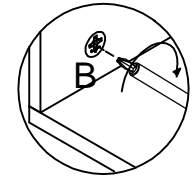
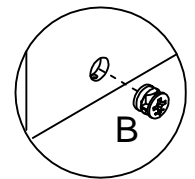
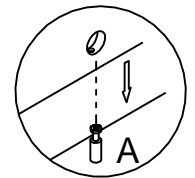
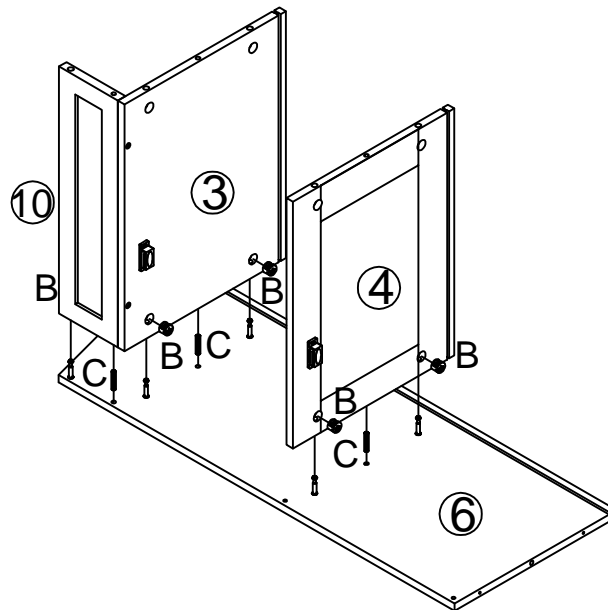
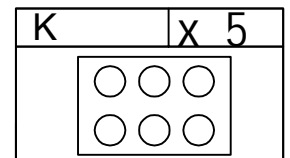
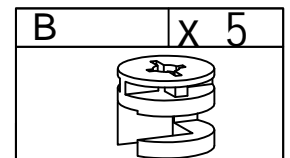
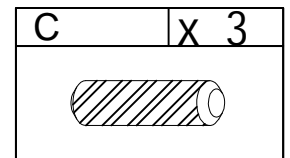


# Step 3

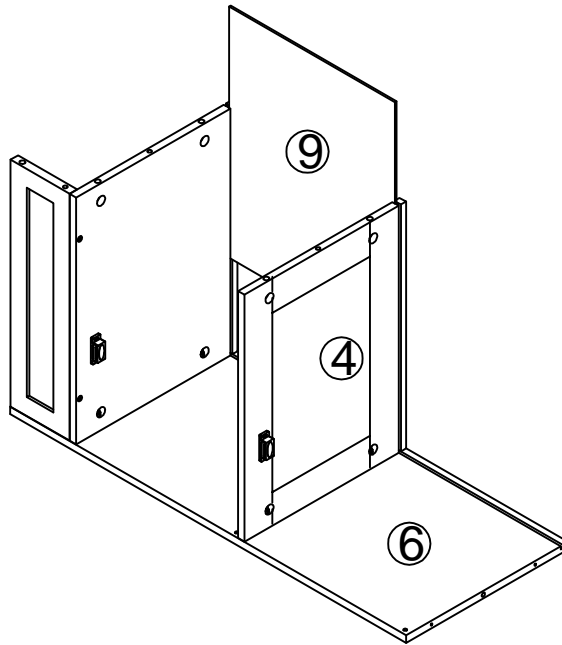


# Step 4

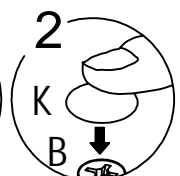
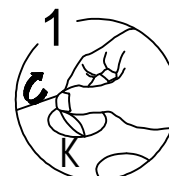
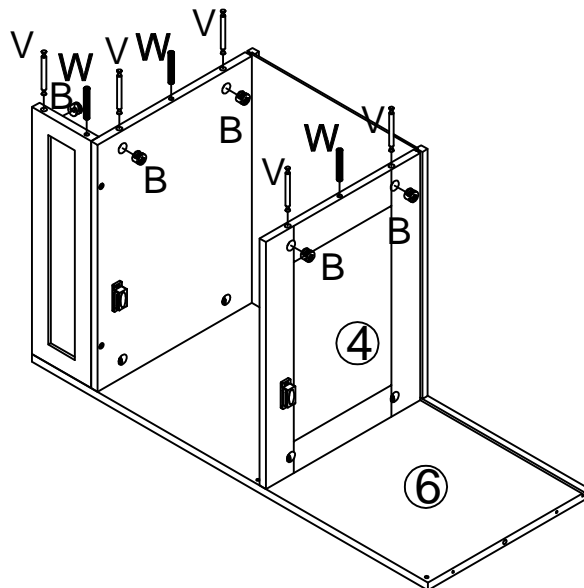
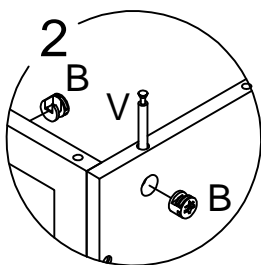
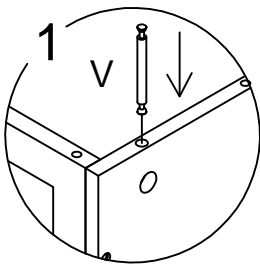
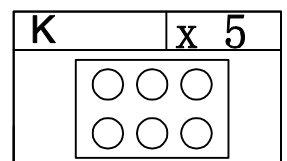
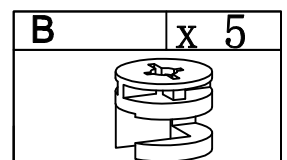
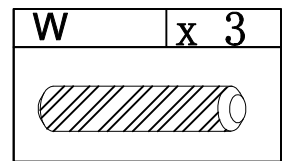
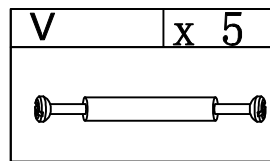
x 2



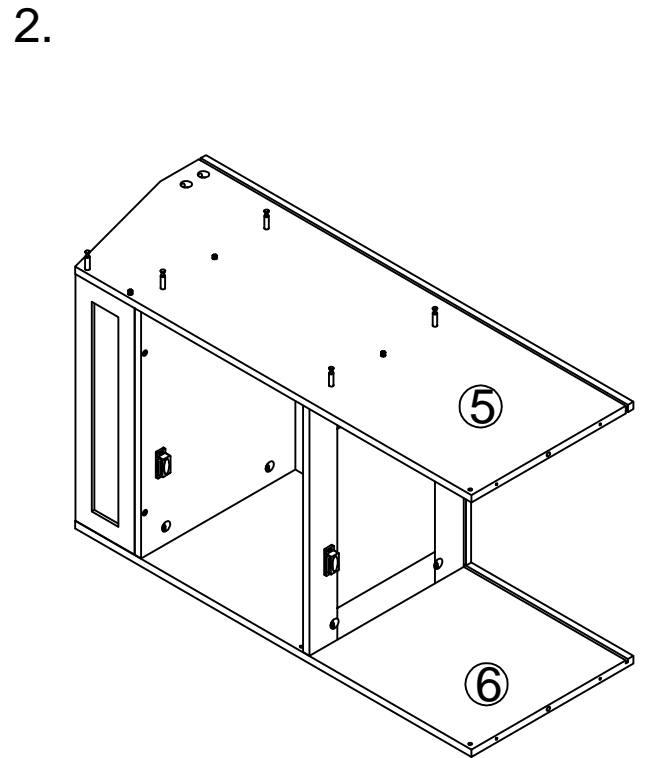
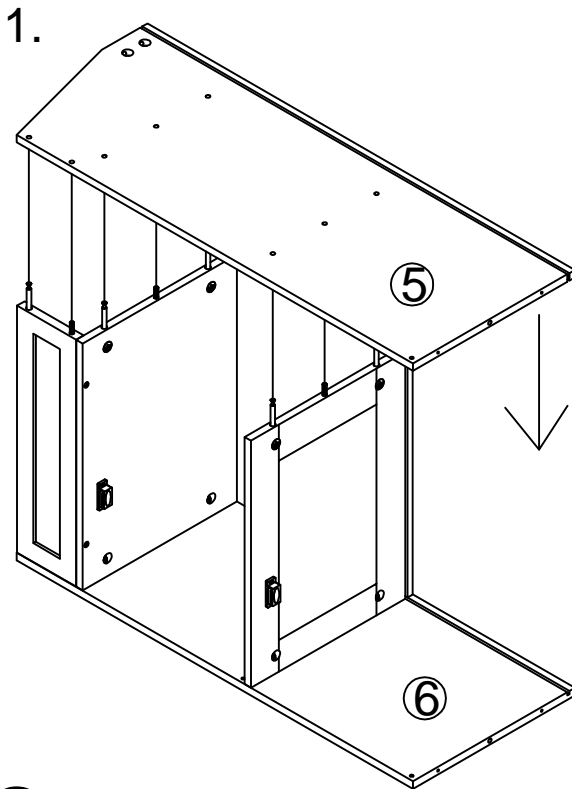
# Step 5



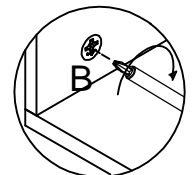
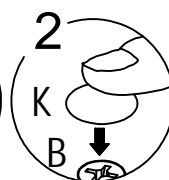
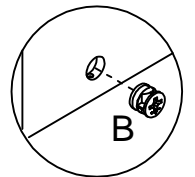
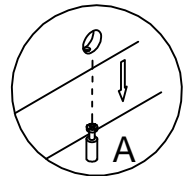
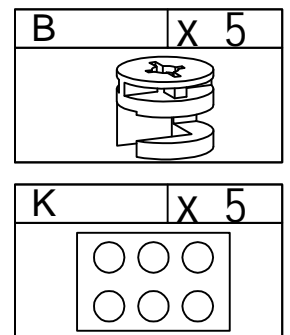
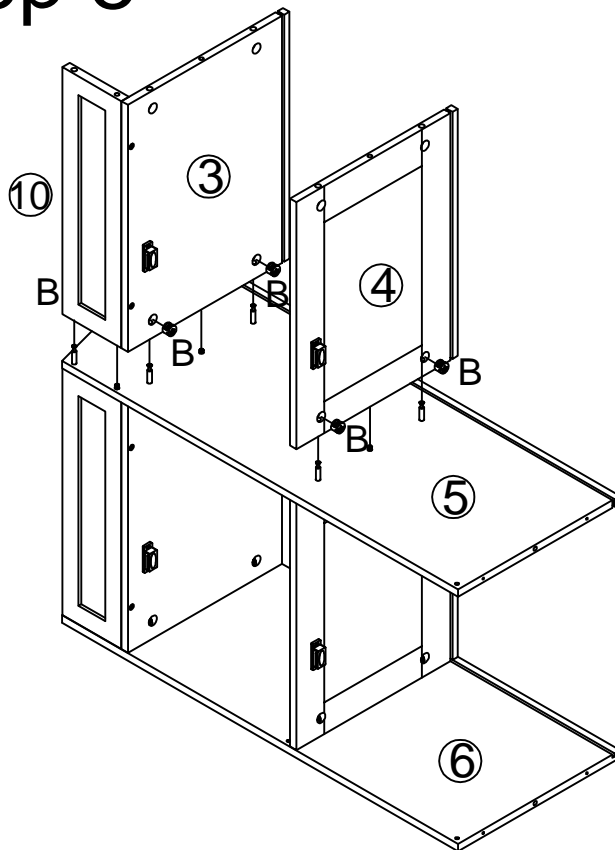
# Step 6



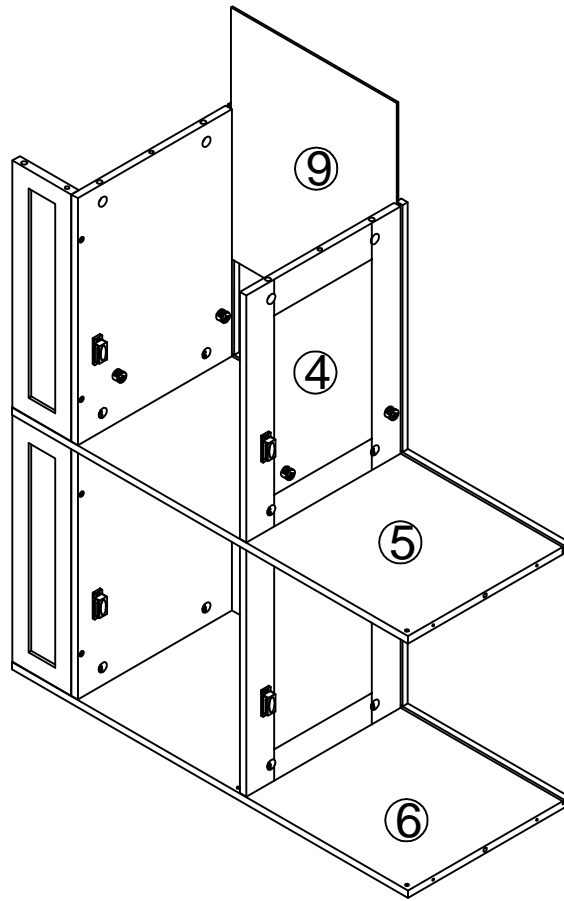
# Step 7



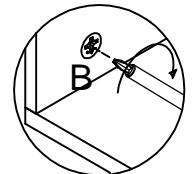
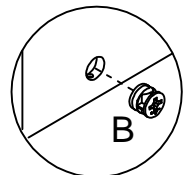
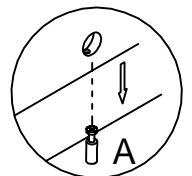
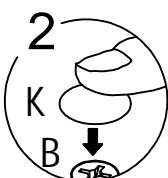
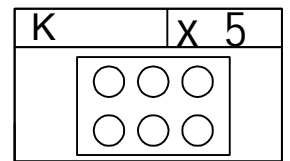
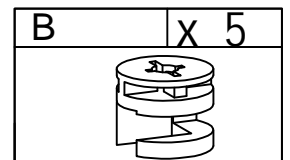
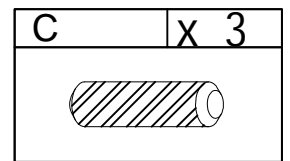
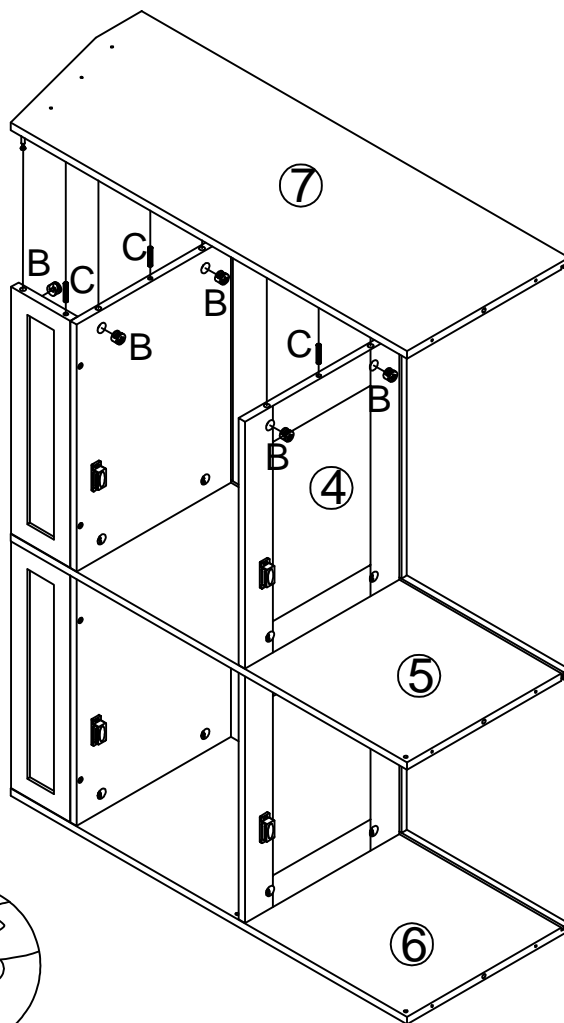
# Step 8



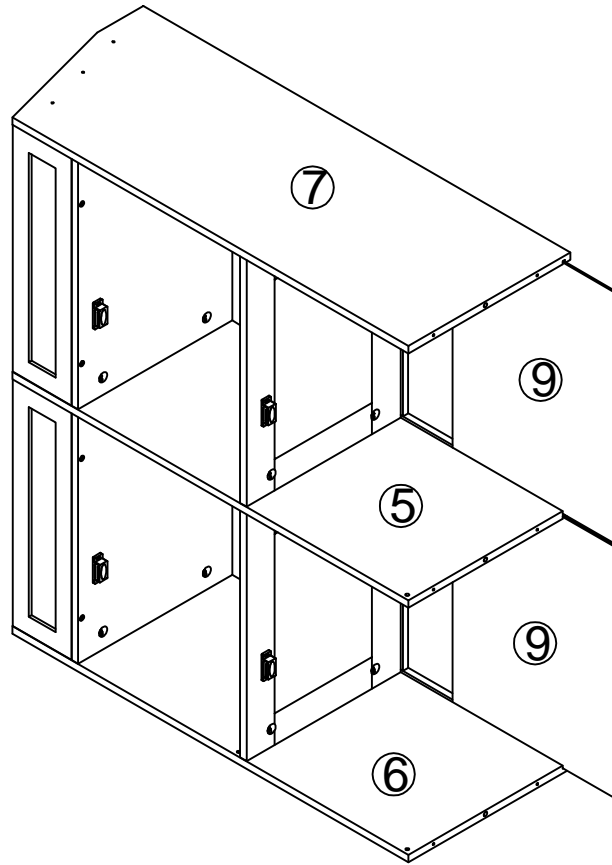
# Step 9



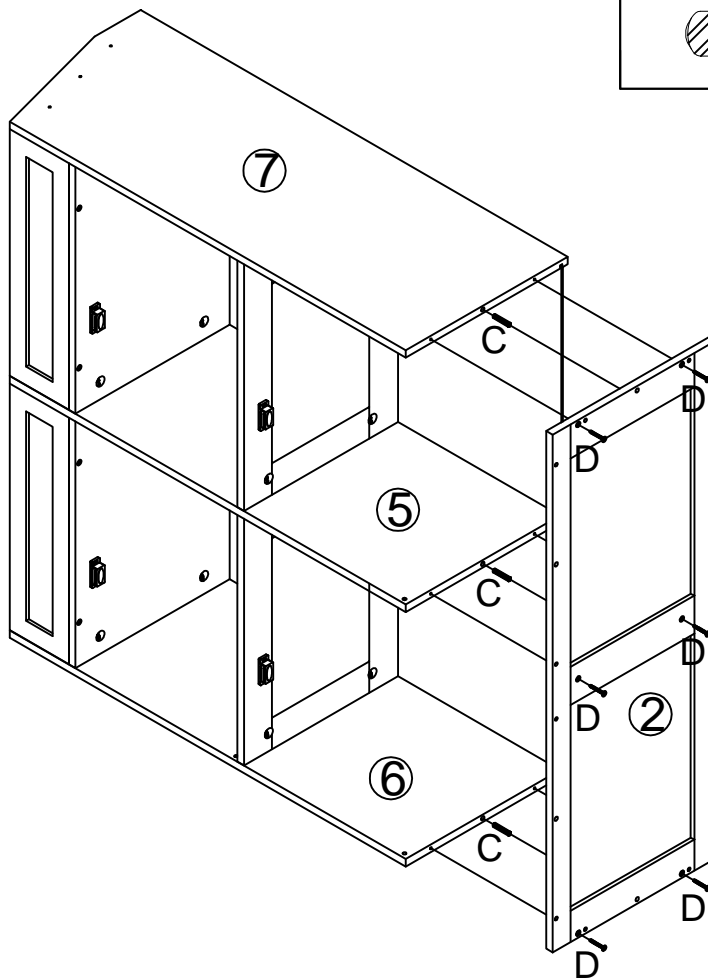
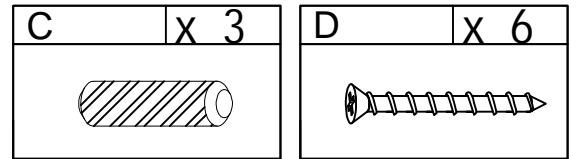
# Step 10



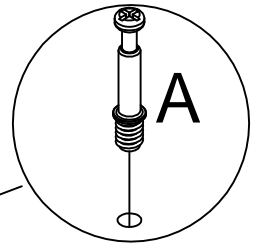
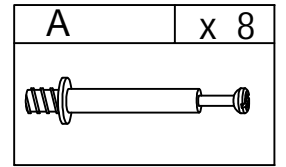
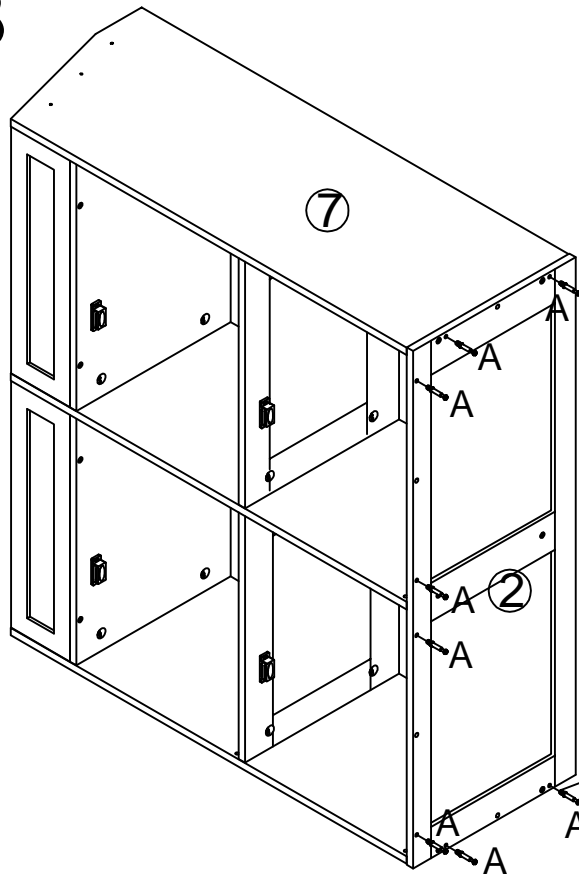
# Step 11



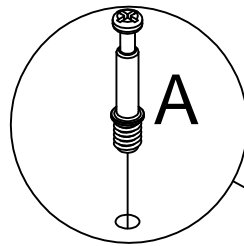
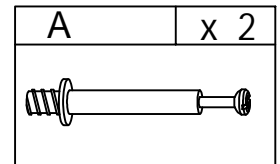
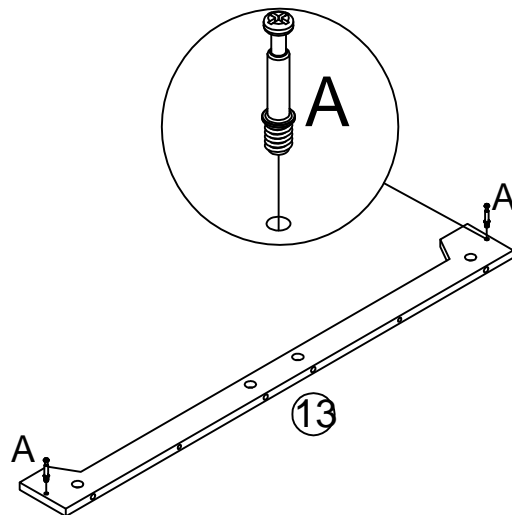
# Step 12



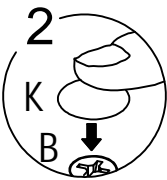
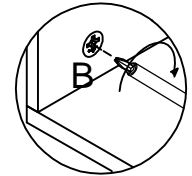
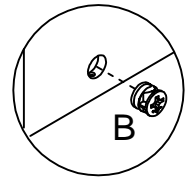
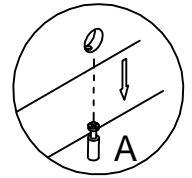
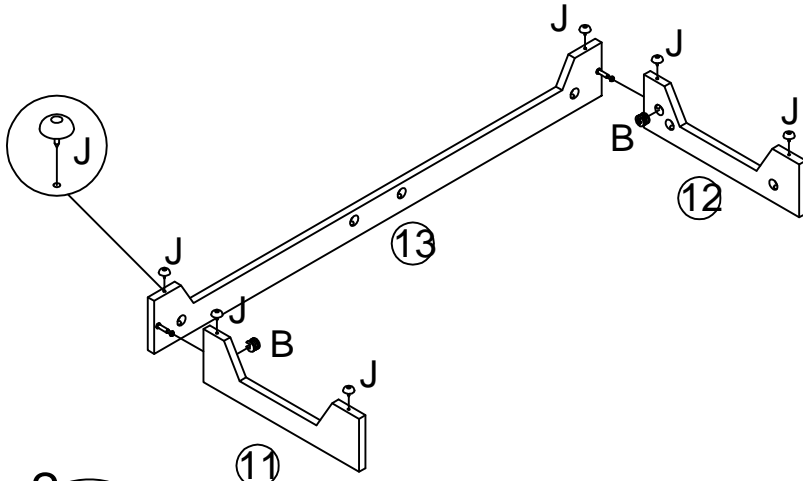
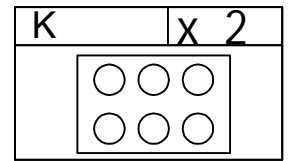
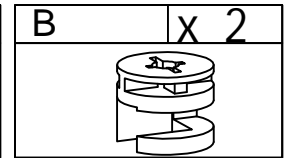
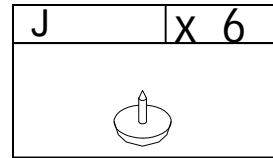
# Step 13



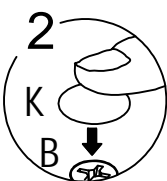
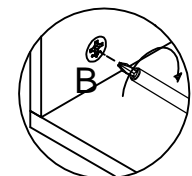
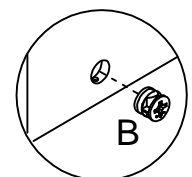
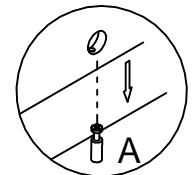
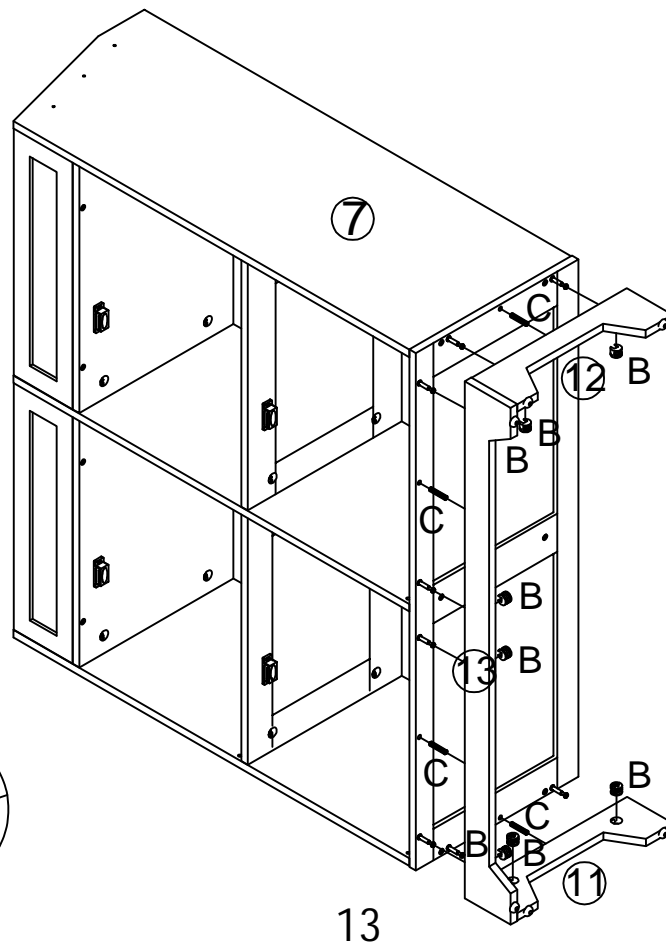
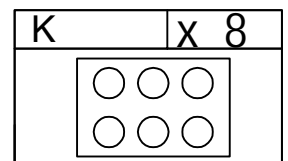
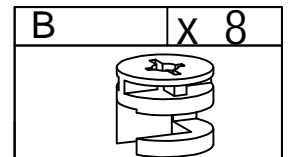
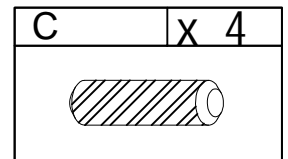
# Step 14



# Step 15

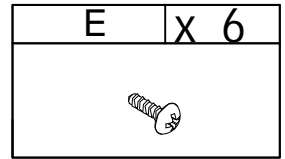
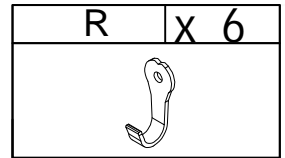
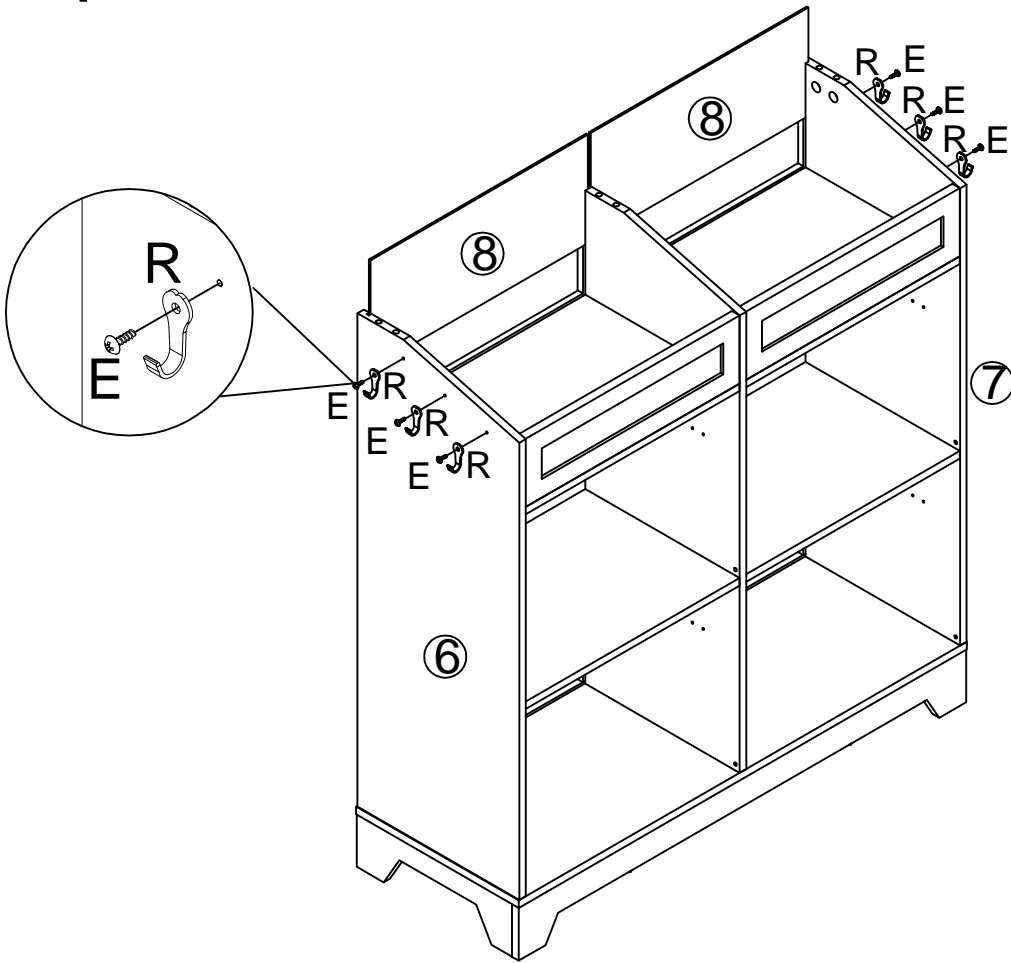


# Step 16

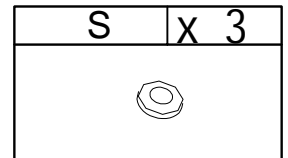
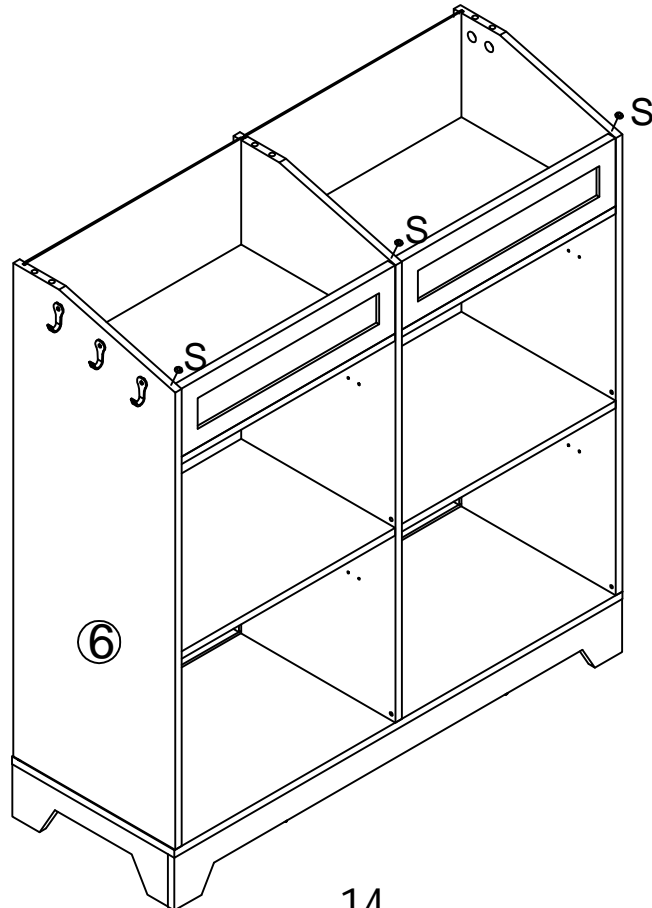


13

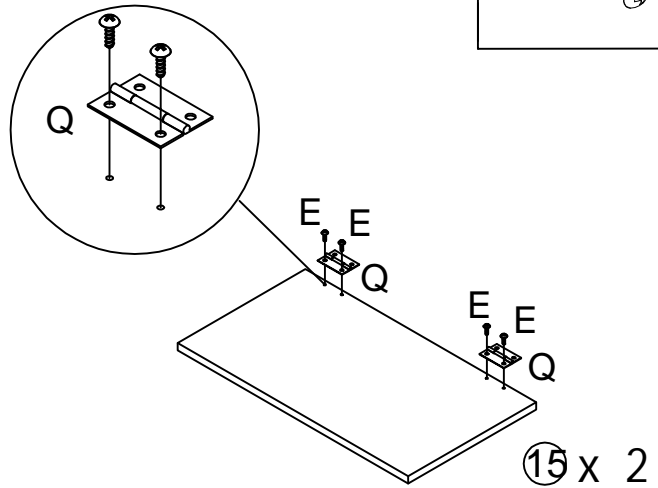
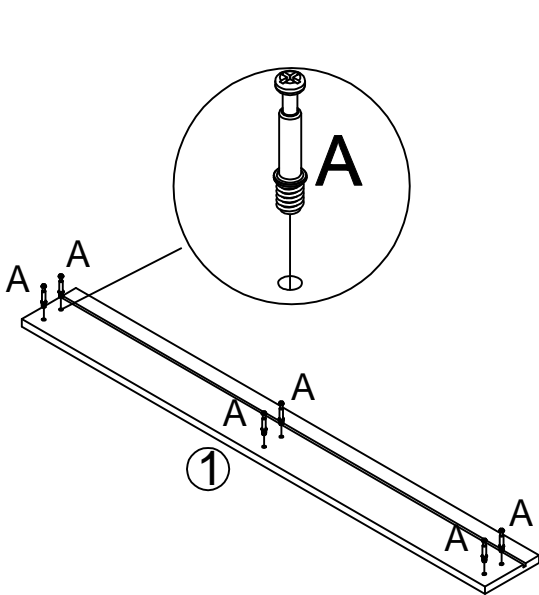
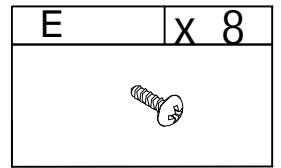
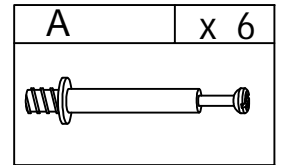
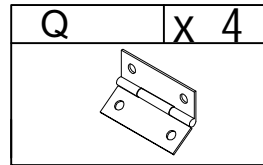
# Step 17



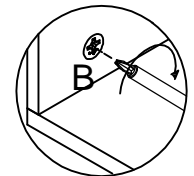
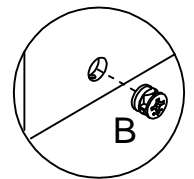
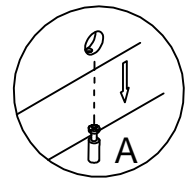
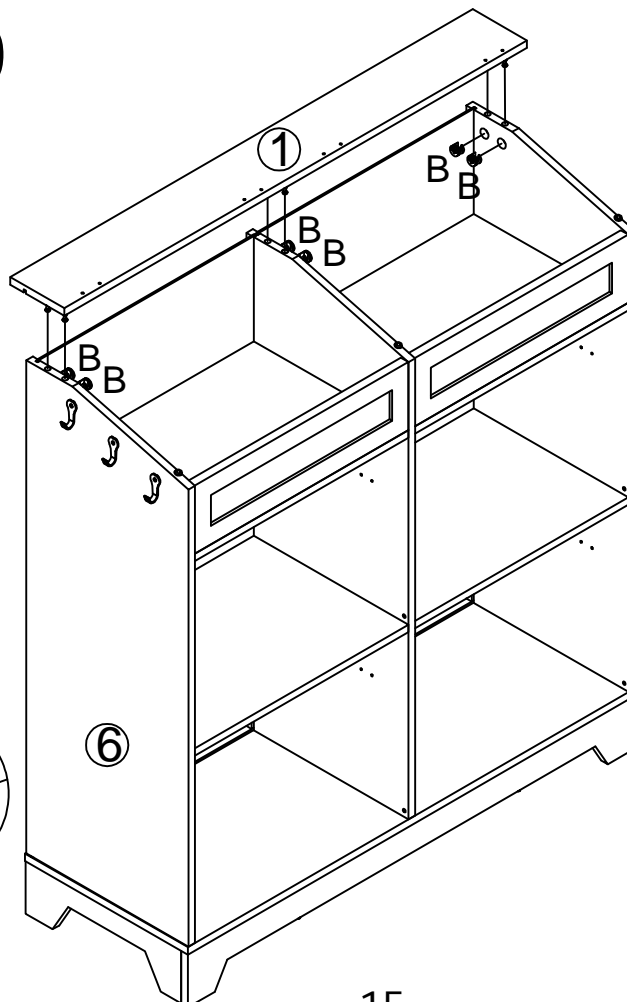
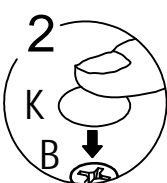
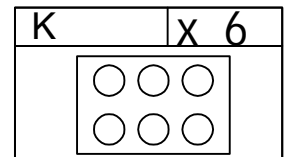
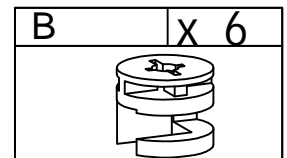
# Step 18



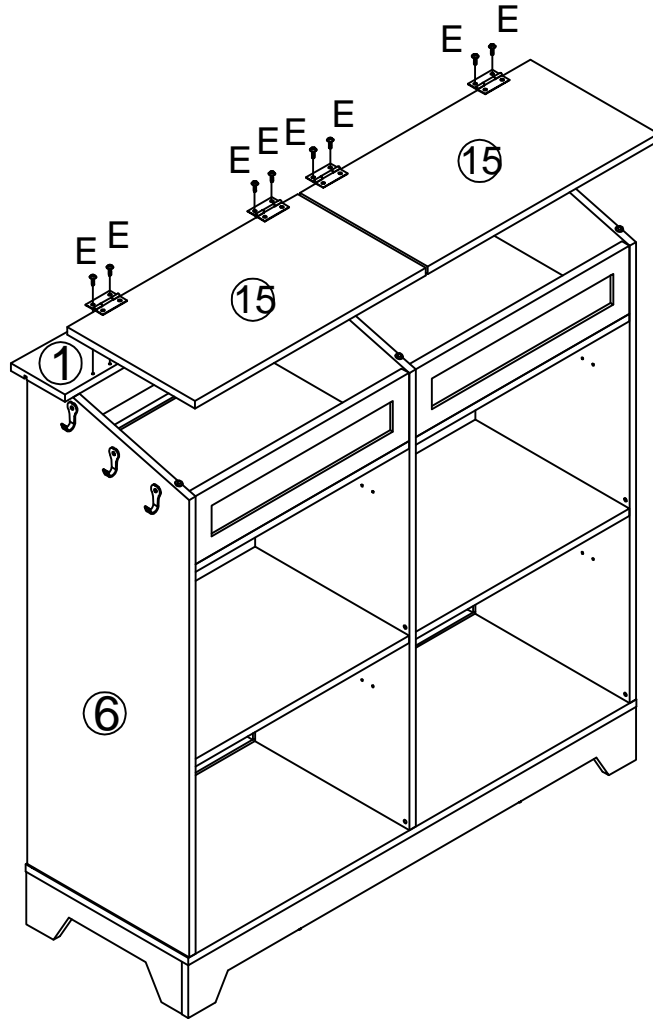
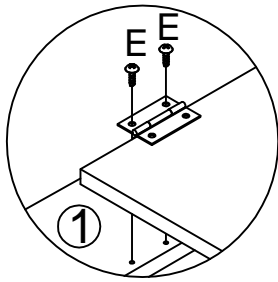
# Step 19



# Step 20

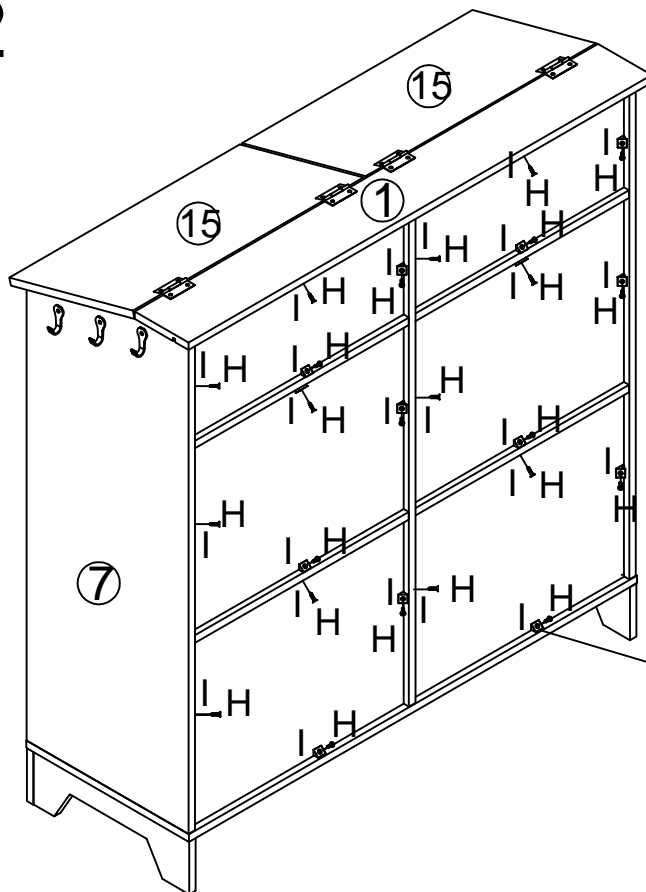


# Step 21



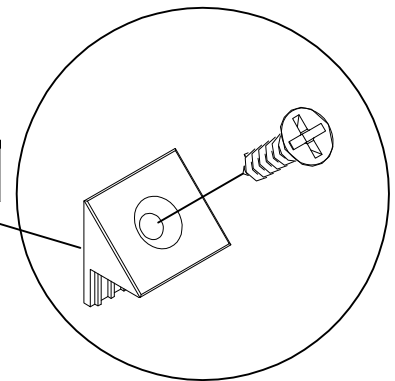
E	X 8

# Step 22

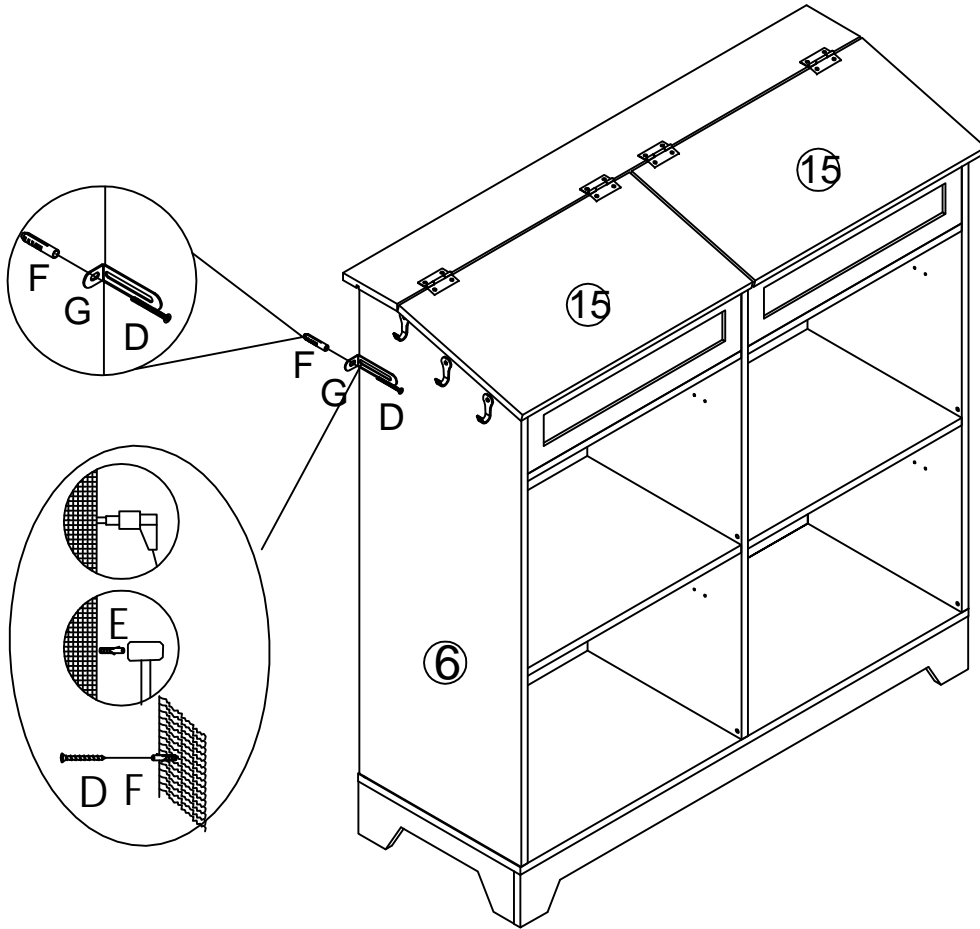


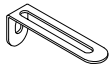
H	X 24

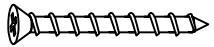
I	X 24




# Step 23

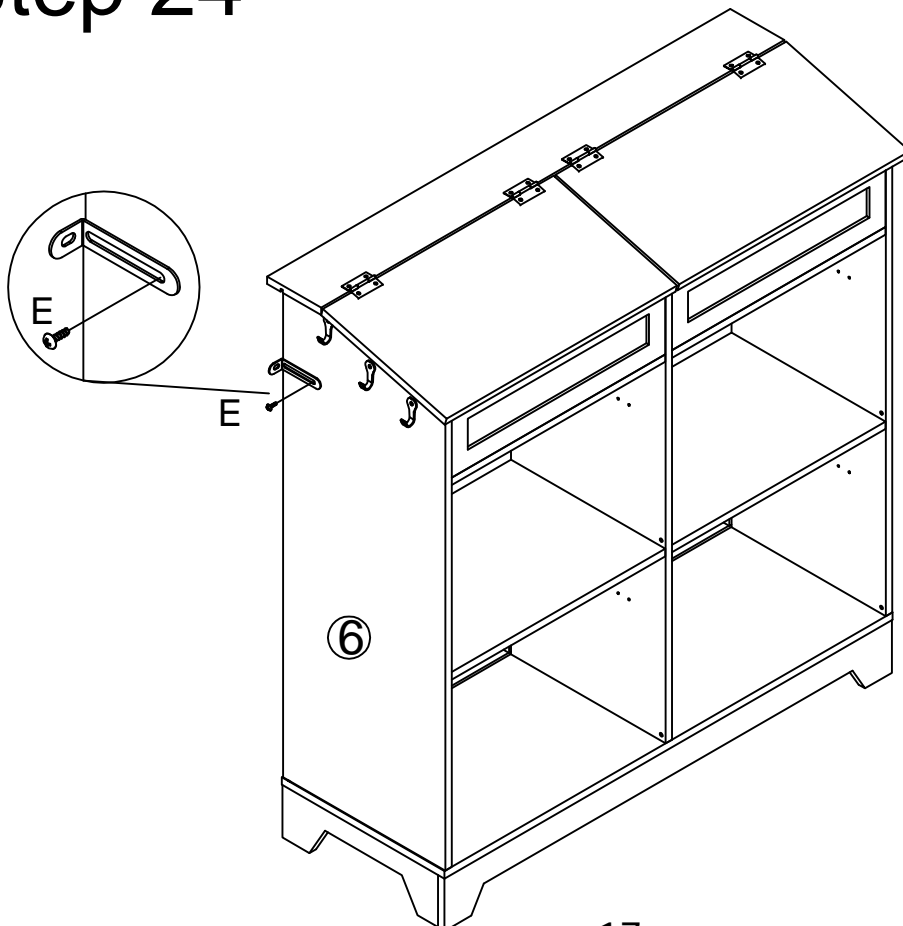



G	x 2
	

D	x 2
	

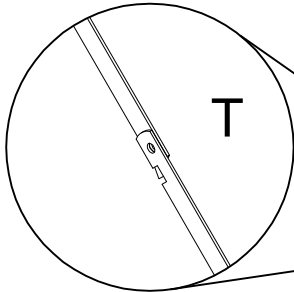
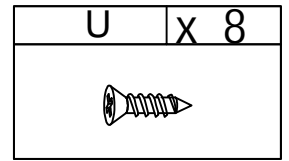
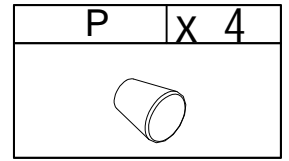
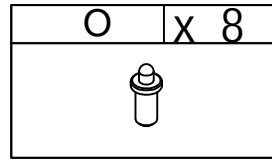
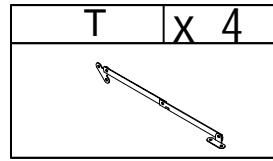
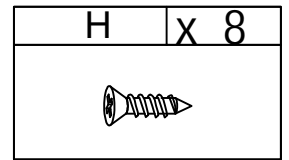
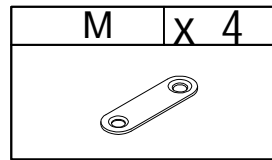
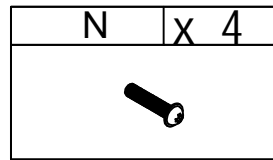
F	x 2
	

# Step 24

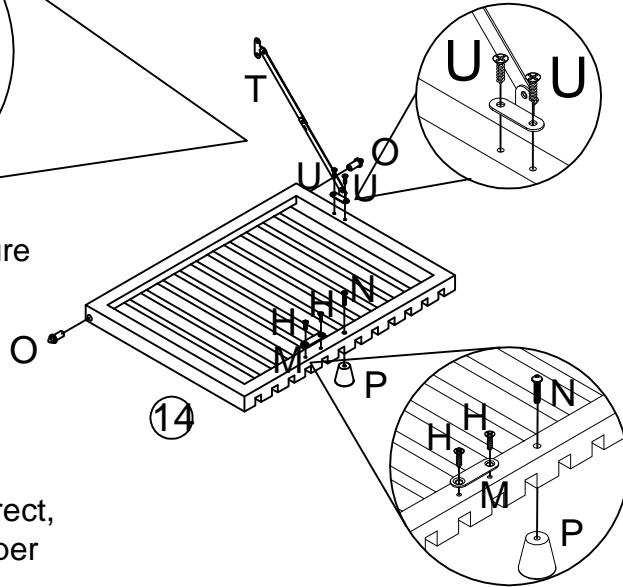


E	x 2
	

# Step 25

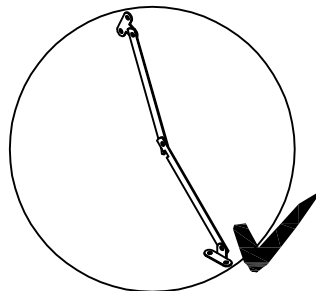
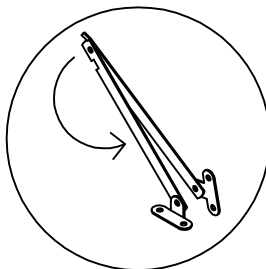
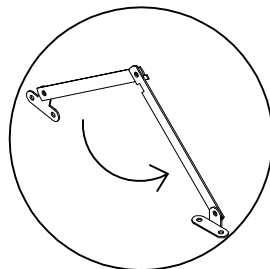
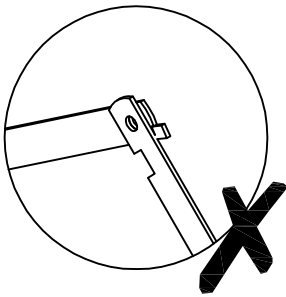


Install accessory T according to the figure




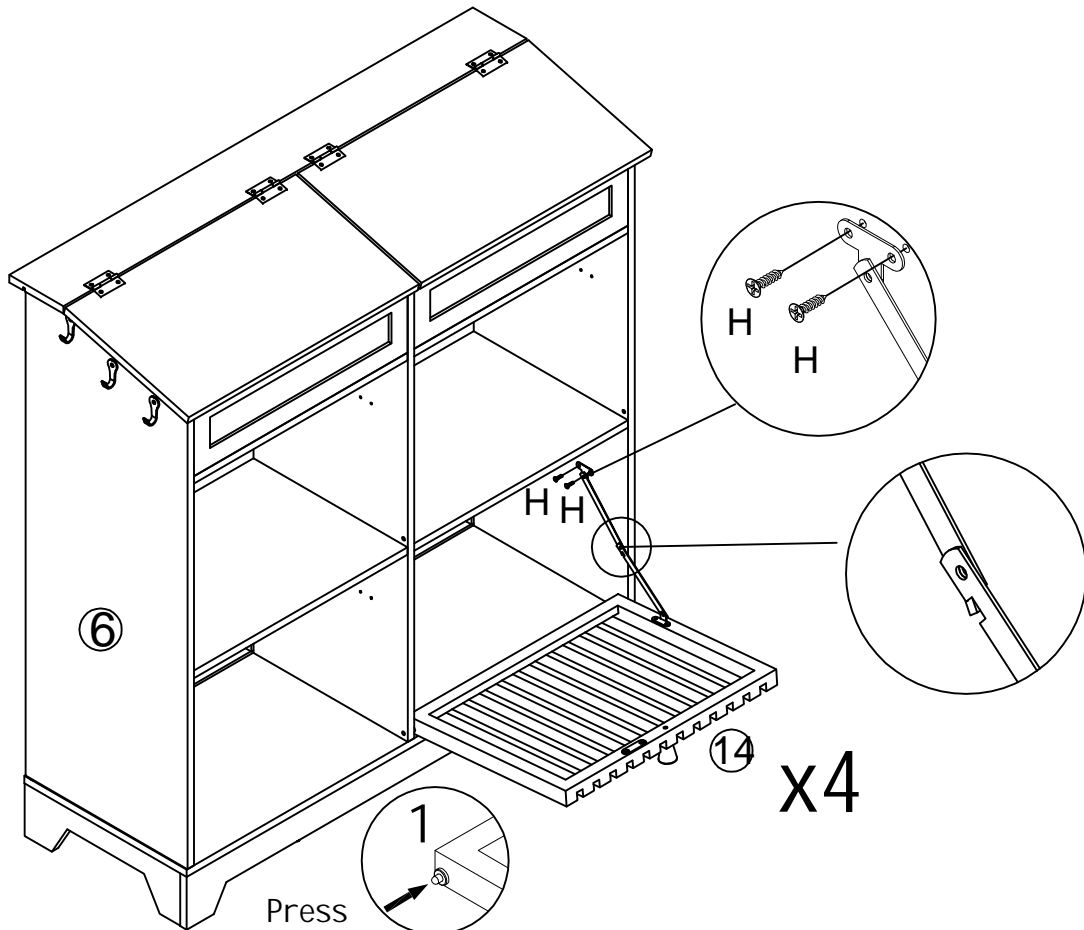
If the slot position of accessory T is incorrect, please rotate the upper part as shown in the picture!

x4

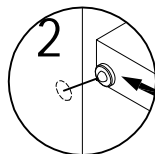
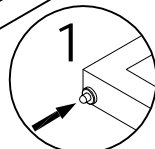


# Step 26

H	X 8
	

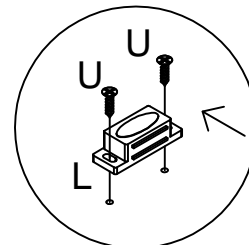


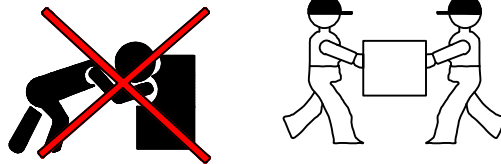
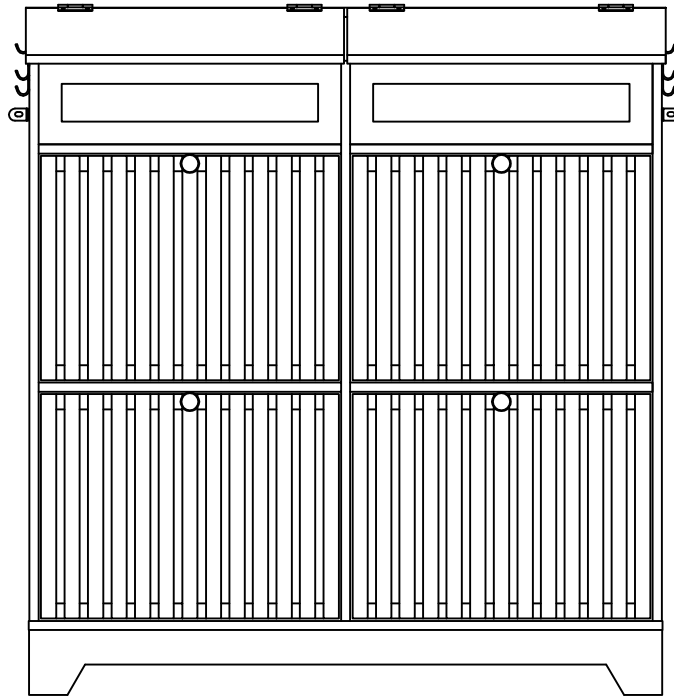
Press



18

If the door protrudes outside, please adjust the front and back of the accessory L.





Two people work together to move the table.  
Make sure you lift it off the ground.  
Don't push and pull.